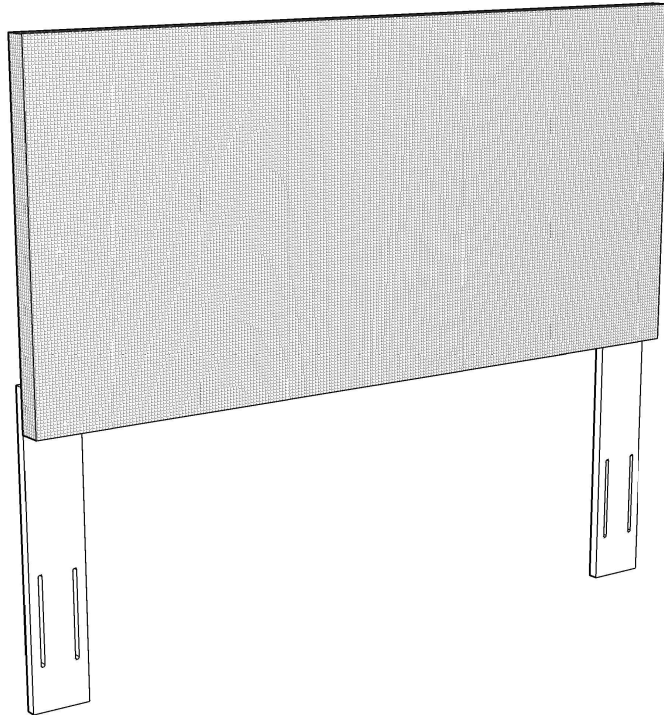
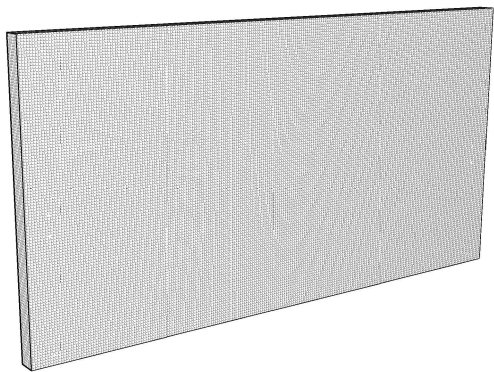


ASSEMBLY INSTRUCTION

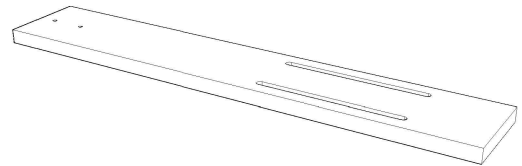
QUEEN HEADBOARD



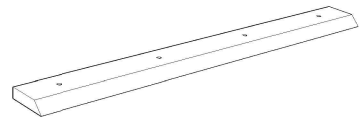
PART LIST



(A) HB Head : 1pc



(B) Leg : 2pcs

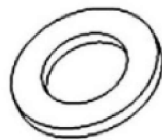


(C) Wall Bracket : 1pc

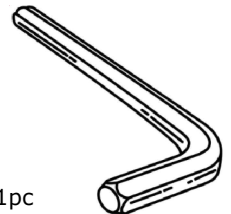
HARDWARE LIST



(1) JCBC Bolt : 4pcs



(2) Flat Washer : 4pcs



(3) Allen Key : 1pc



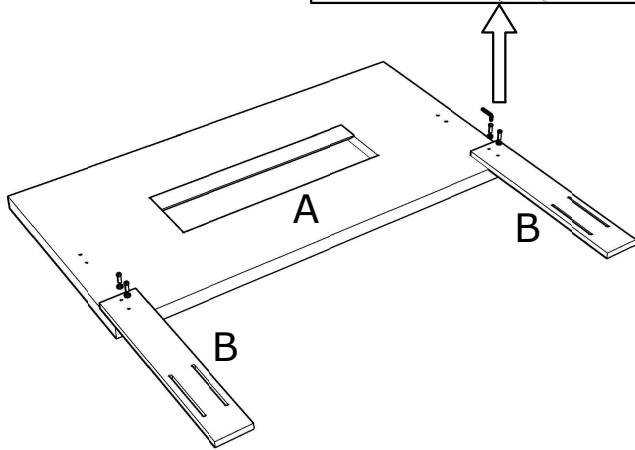
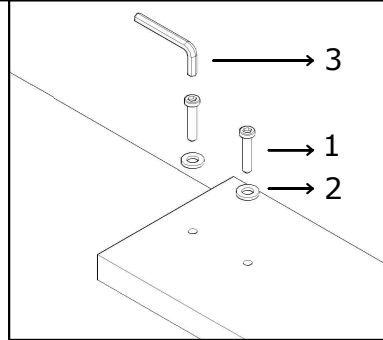
(4) Phillip Screw : 4pcs



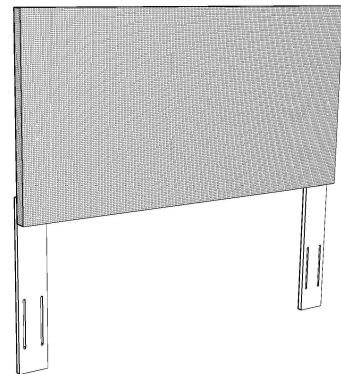
(5) Fischer S6 : 4pcs

ASSEMBLY INSTRUCTION

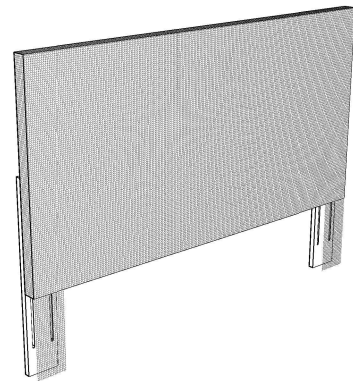
Step 1



Step 2



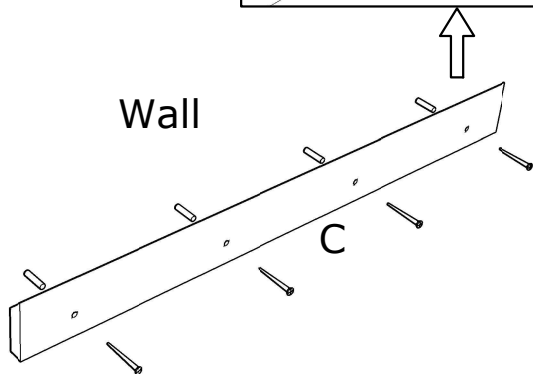
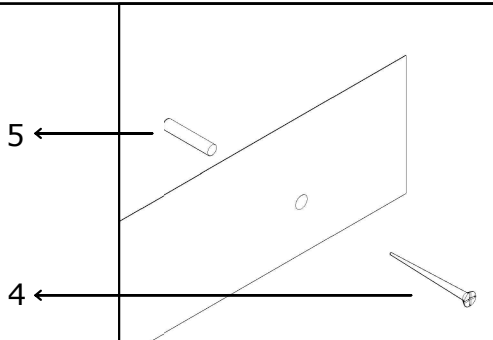
24" Position



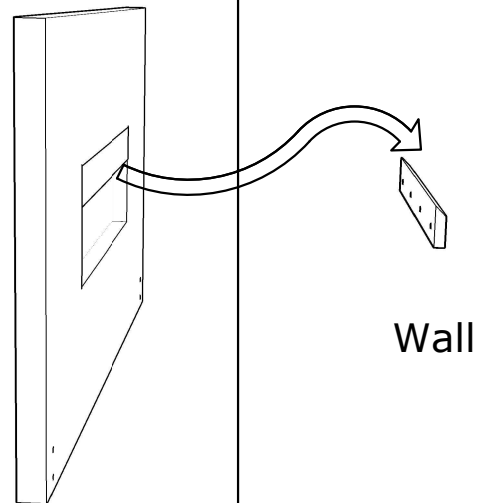
12" Position

Use steps 1 and 2 if your attaching the headboard to a bed frame.

Step 3



Step 4



Use steps 3 and 4 if your mounting the headboard to a wall.