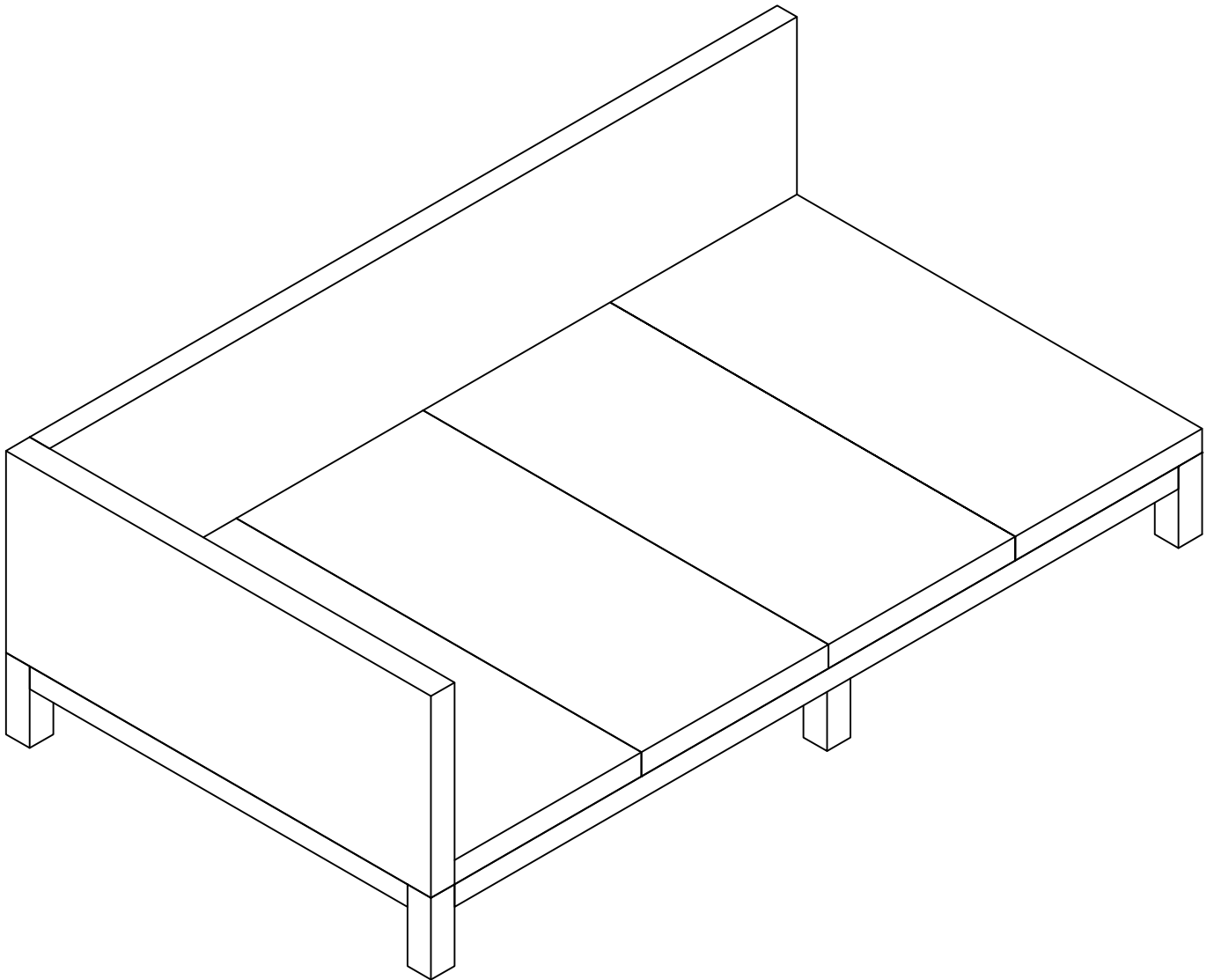
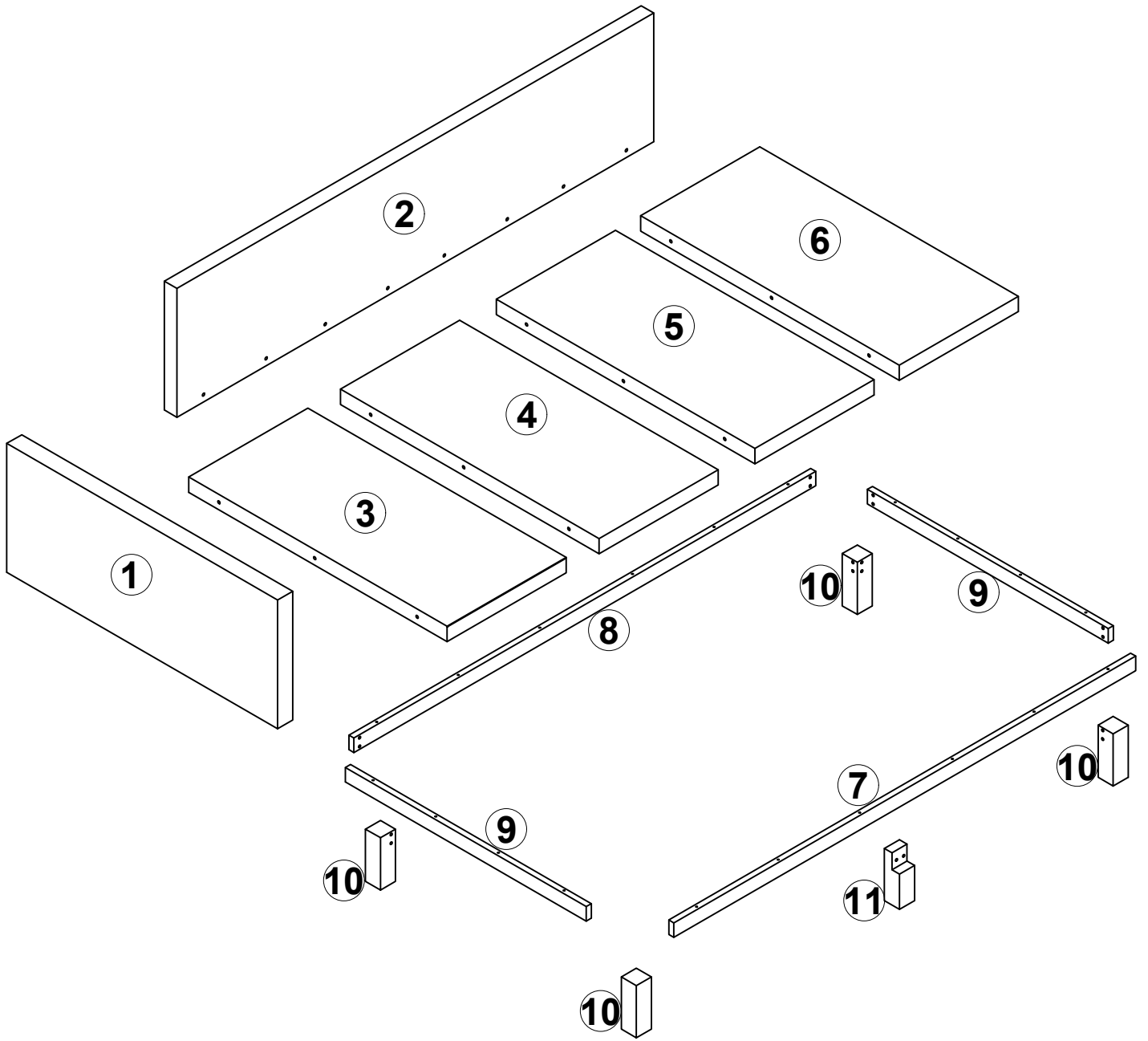


ASSEMBLY INSTRUCTION

SKU CODE: WF294837/WF294838

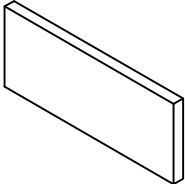
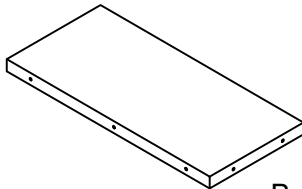
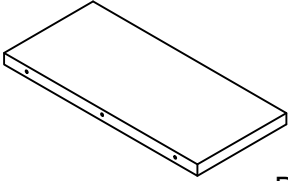
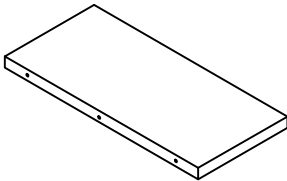
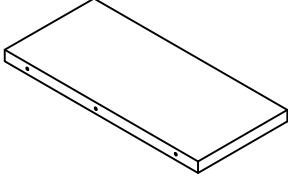
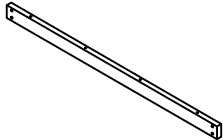
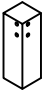
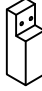


Detail View - TWIN DAY BED



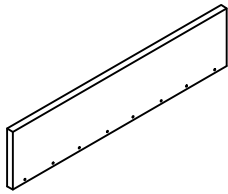
Identifying the Hardware - Identify the hardware using the illustrations below.

Part Lists: WF294837

1  Headboard-1pc	3  Bottom panel 1-1pc
4  Bottom panel 2-1pc	5  Bottom panel 3-1pc
6  Bottom panel 4-1pc	9  Short apron -2pcs
10  Bed leg - 4pcs	11  Front support leg - 1pc

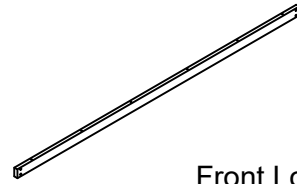
Part Lists: **WF294838**

2



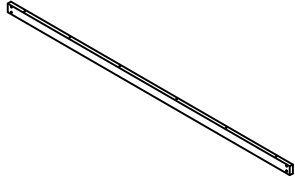
Back frame -1pc

7




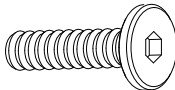
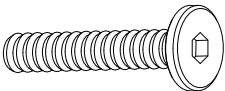


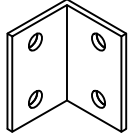

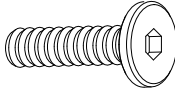


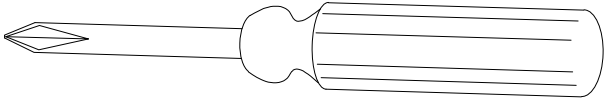
Front Long apron - 1pc

8



Back Long apron - 1pc

HARDWARE LISTS: WF294837

A  4mm Allen key (1pc)	B  Ø1/4" x 15mm Hex-head bolt (32pcs)
C  Ø5/16" x 40mm Hex-head bolt (22pcs)	D  Ø1/4" Spring washer (34pcs)
E  Ø1/4" Flat washer(34pcs)	F  Metal bracket (8pcs)
G  Ø4 x 40mm Wood screw (20pcs)	H  Ø1/4" x 25mm Hex-head bolt (02pcs)
I  Ø5/16" Spring washer (22pcs)	J  Ø5/16" Flat washer(22pcs)
 ASSEMBLY TOOLS REQUIRED (NOT INCLUDED)	



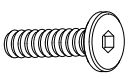
Read this instruction carefully. See hardware and furniture part list for guidance. Be sure all parts are complete, before you assemble. Place all wooden furniture parts on a clean and flat soft surface to prevent from being scratched. Follow the figure to start assembling.

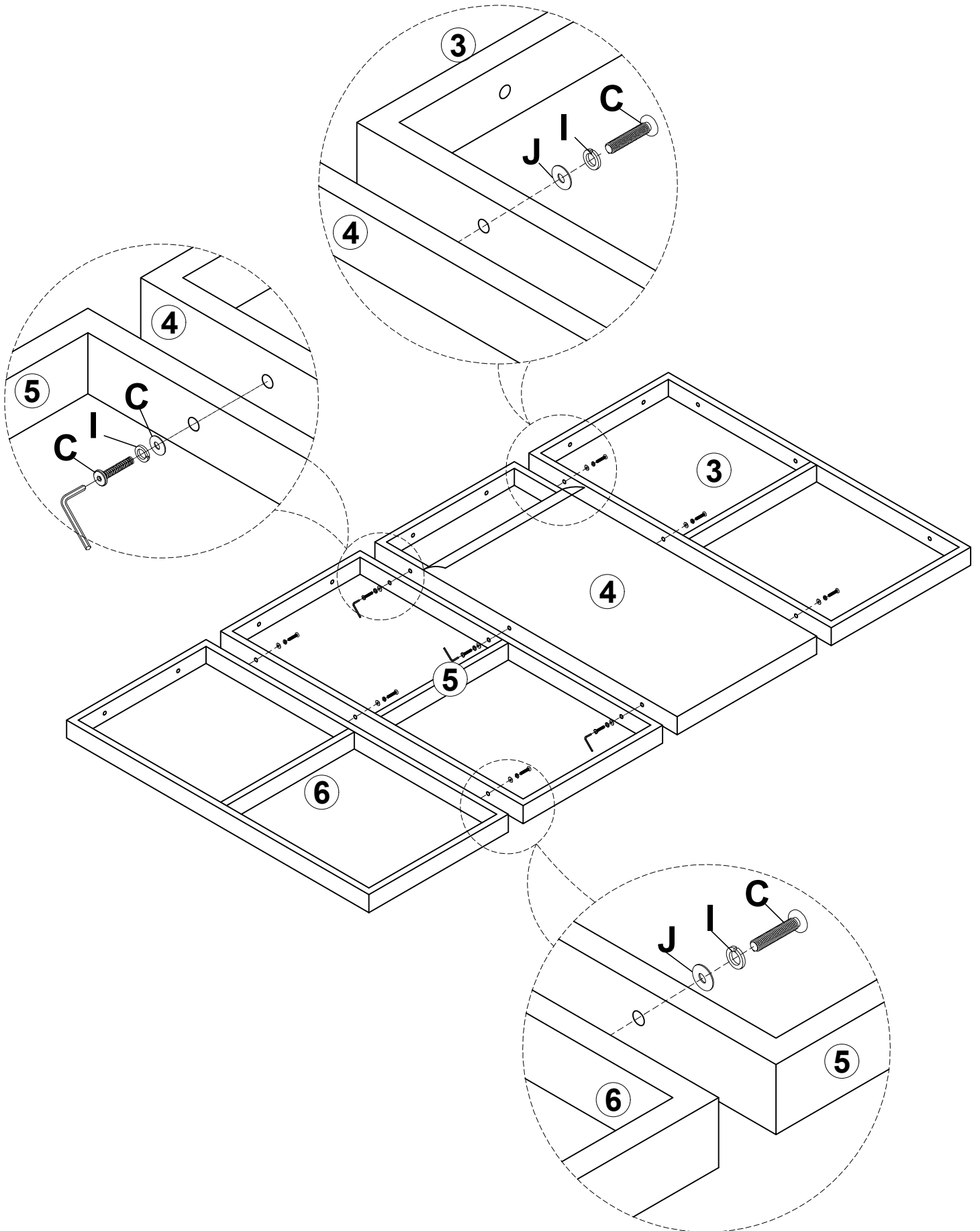
CAUTIONS :

1. Do not FULLY - TIGHTEN the nut or nut bolt until all nut or bolt is ready assembled.
2. Do not OVER - TIGHTEN the nut or bolt to avoid causing damages to the thread.
3. Keep all hardware parts out of reach of children.



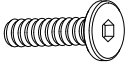
NOTE : THE LIST AND QUANTITY SHOWN ARE FOR 1 UNIT ASSEMBLY.

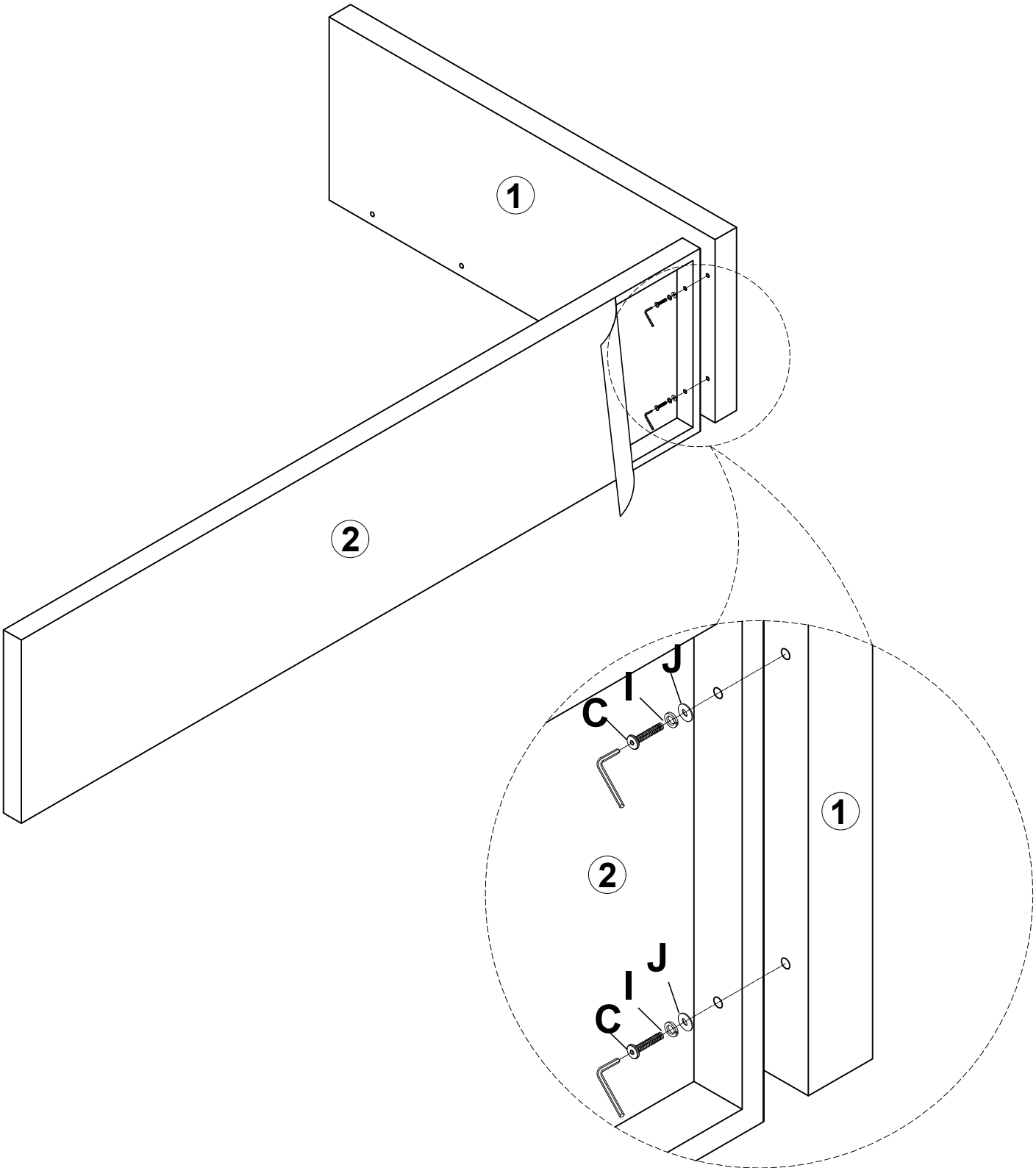
STEP 1

J 	I 	C 
9PCS	9PCS	9PCS

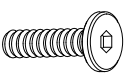


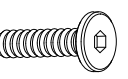


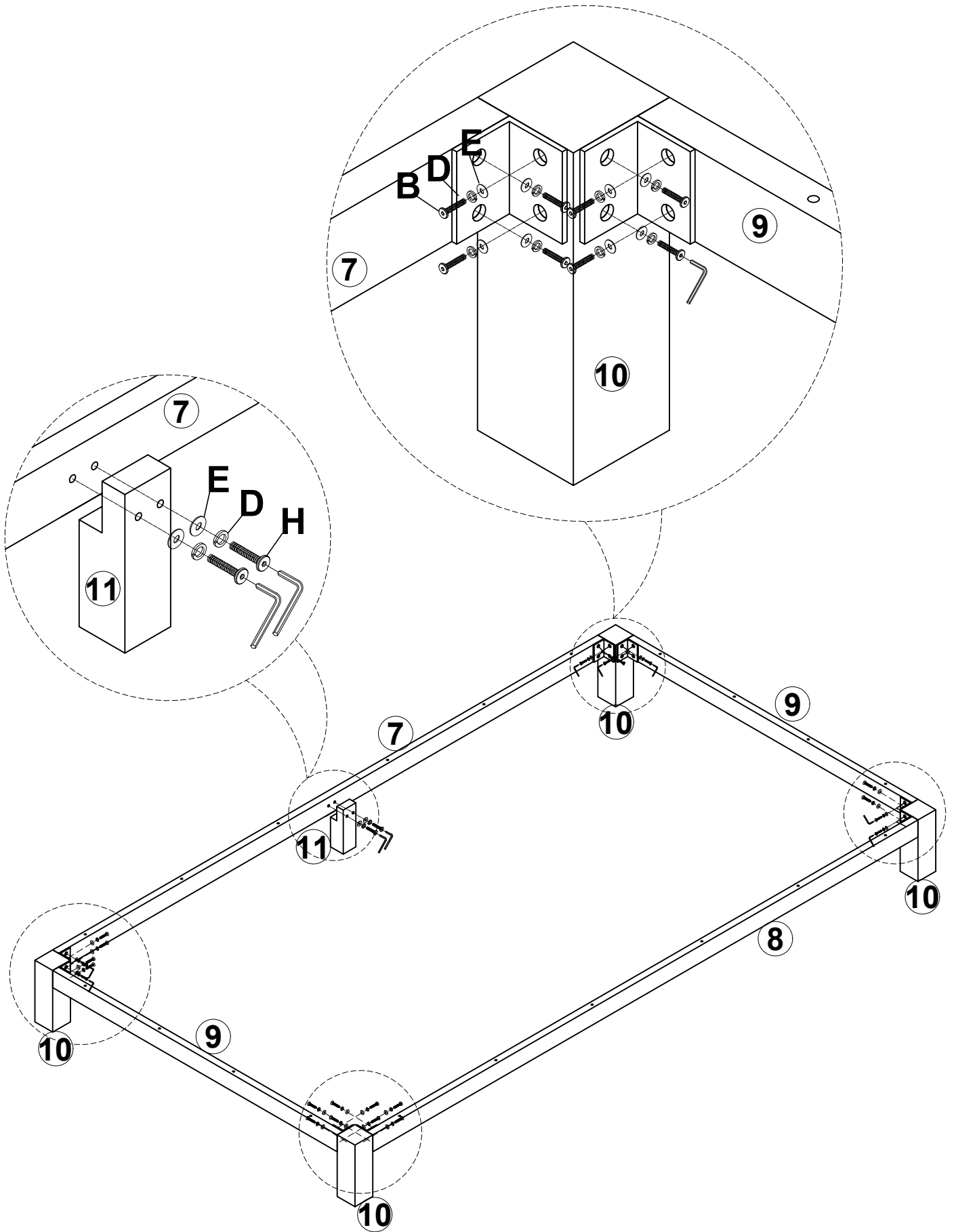
STEP 2

J 	I 	C 
2PCS	2PCS	2PCS



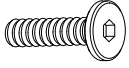


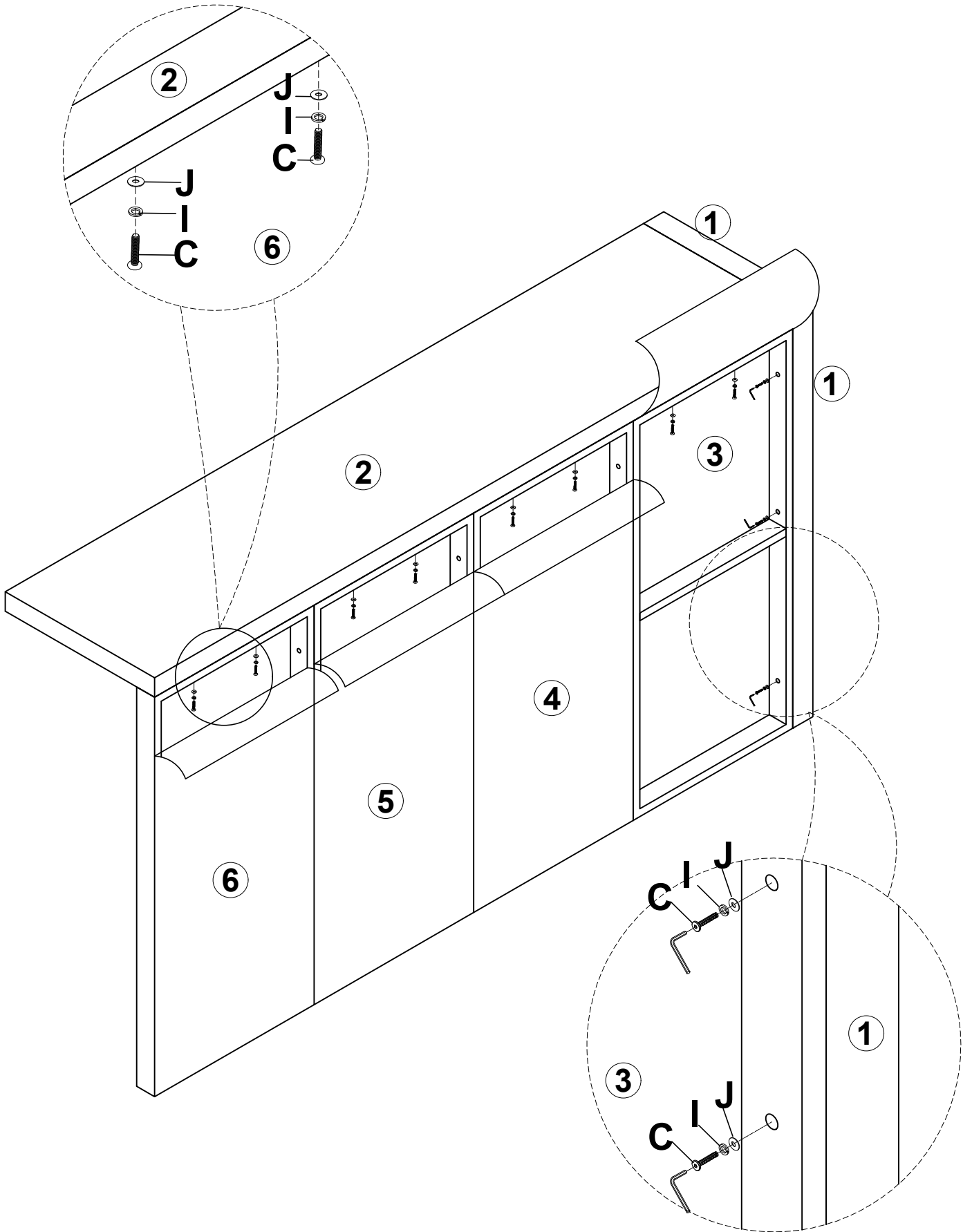
STEP 3

H		E		D		B	
	2PCS		34PCS		34PCS		32PCS



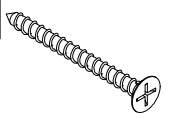
STEP 4

J 	I 	C 
11PCS	11PCS	11PCS

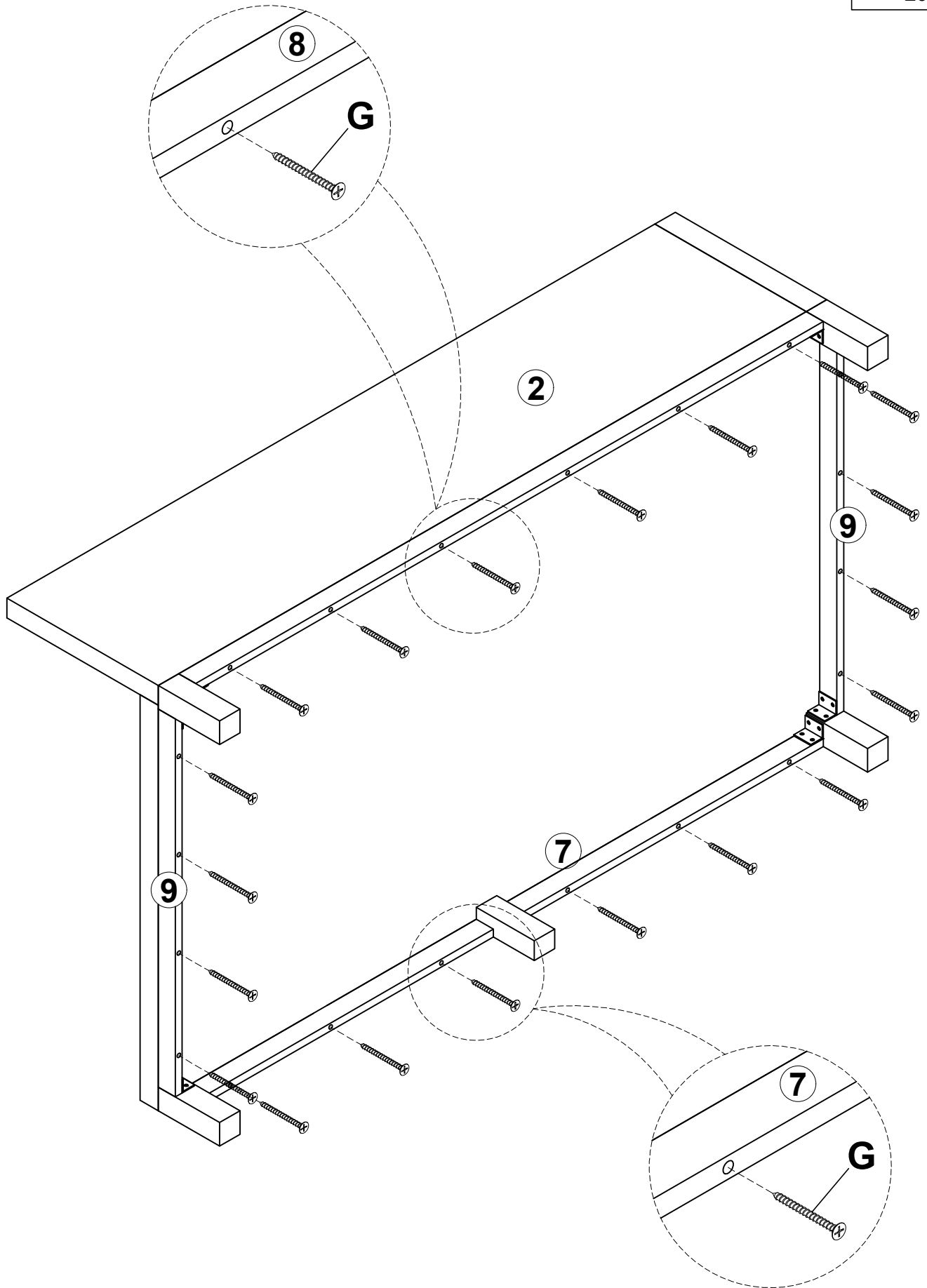


STEP 5

G



20PCS



STEP 6

