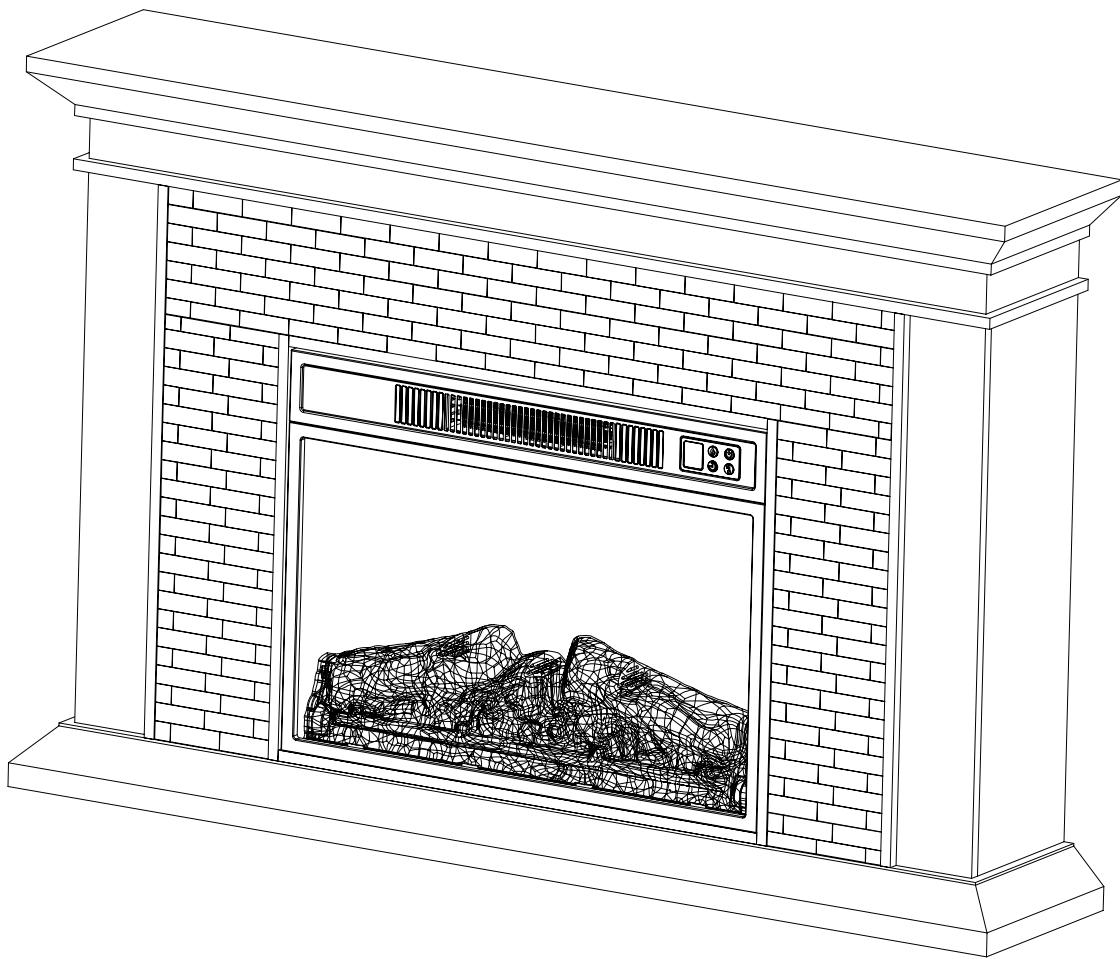


# ELECTRIC FIREPLACE MANTEL WITH REMOTE CONTROL OWNER'S MANUAL



FOR RESIDENTIAL USE ONLY IN US & CA

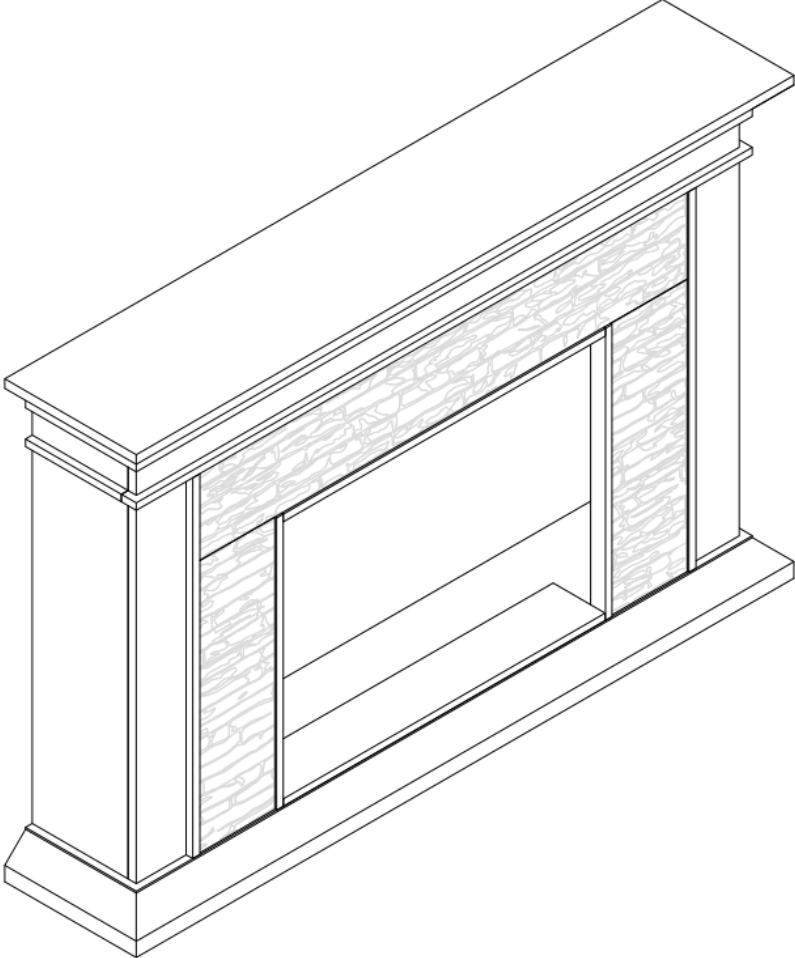


# TABLE OF CONTENTS

---

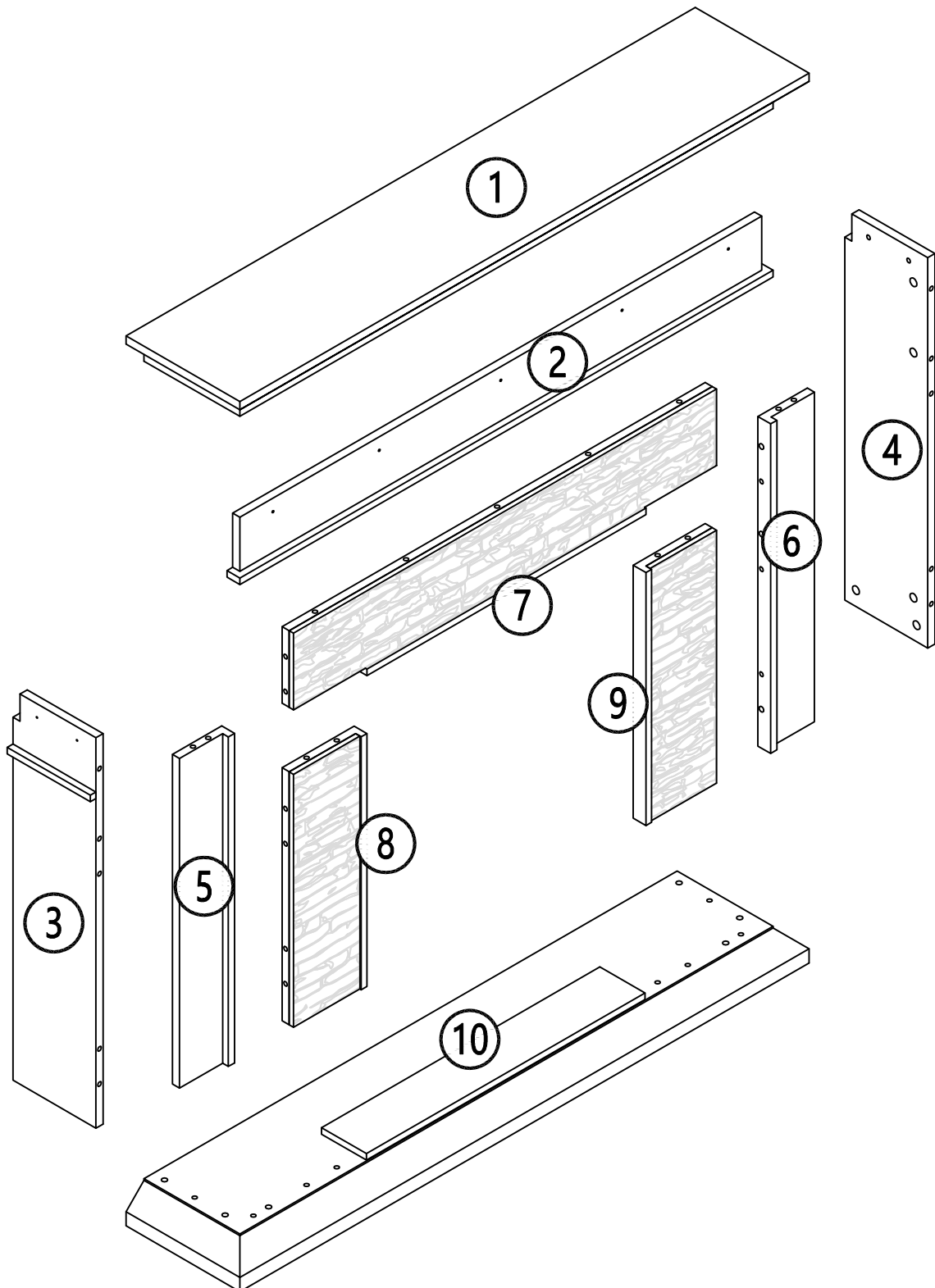
Mantel Assembly Steps.....	3-13
Assembly .....	14
Safety Information.....	15
Preparation.....	16
Specification.....	16
Operation Instruction.....	17-20
Care and Maintenance.....	21
Troubleshooting.....	21
Customer Service.....	22

# MANTEL ASSEMBLY STEPS



# PACKAGE CONTENT

Take out the unit from the box and lay out all the spare parts for easy assembly. Make sure all small items are not left in packaging materials. Assemble the furniture on a flat clean surface on top of rug or carpet to prevent scratches or damage.



# PACKAGE CONTENT

CODE	DESCRIPTION	QTY
1	Countertop Board	1
2	Lintel	1
3	Left Side Plate	1
4	Right Side Plate	1
5	Left Vertical Plate	1
6	Right Vertical Plate	1
7	Decoration Lintel	1
8	Left Decoration Plate	1
9	Right Decoration Plate	1
10	Bottom Plate	1

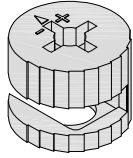
# PACKAGE CONTENT

A



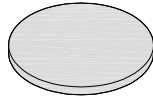
31x

B



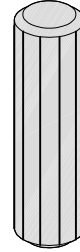
31x

C



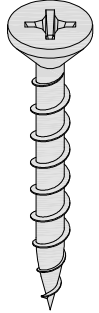
31x

D



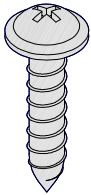
18x

E



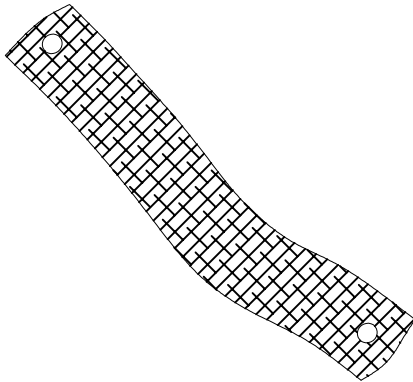
9x

F



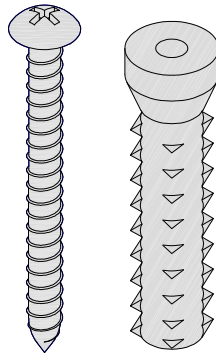
2x

G



2x

H



2x

# PACKAGE CONTENT

Code	DESCRIPTION	QTY
A	Cam Bolt	31
B	Cam Lock	31
C	Protective Stickers	31
D	Wooden Dowel	18
E	Bolt	9
F	Bolt	2
G	Anti-tilt Nylon Strip	2
H	Drywall Anchor Kit	2

**PLEASE NOTE:**

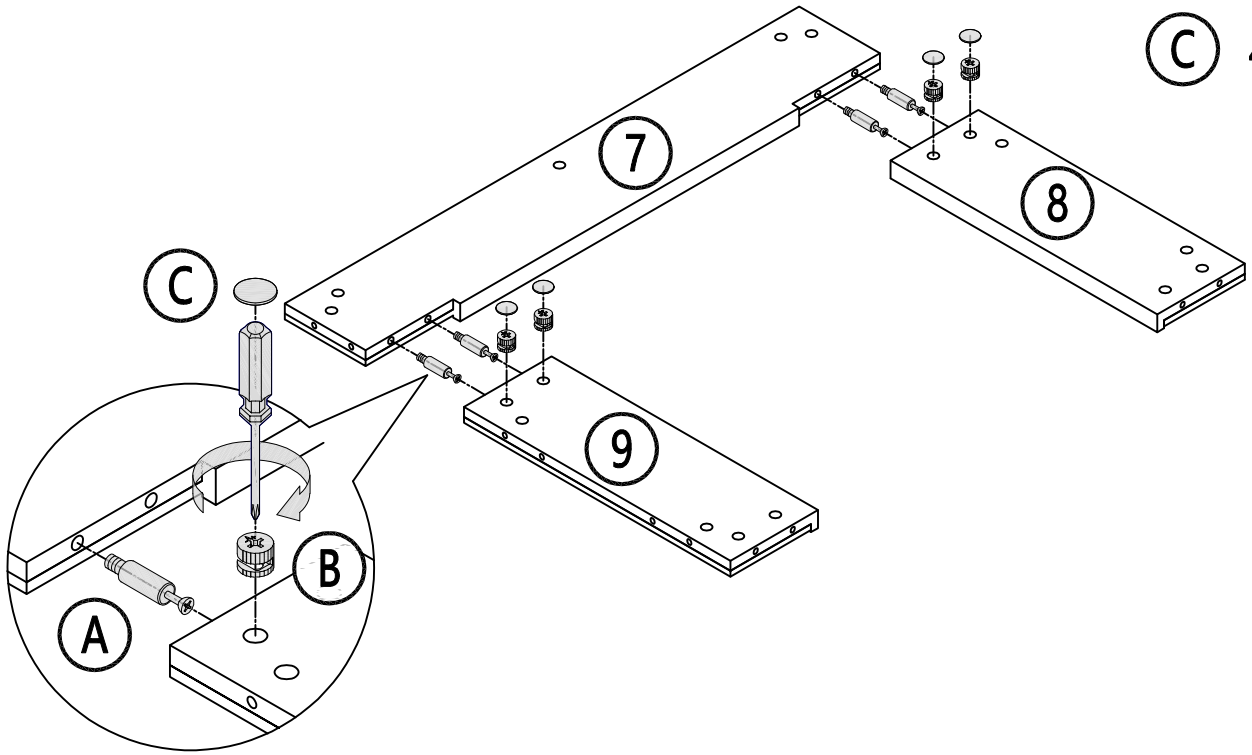
One extra spare piece was included for parts A,B,C,D, and E.

# 1

Ⓐ 4x

Ⓑ 4x

Ⓒ 4x



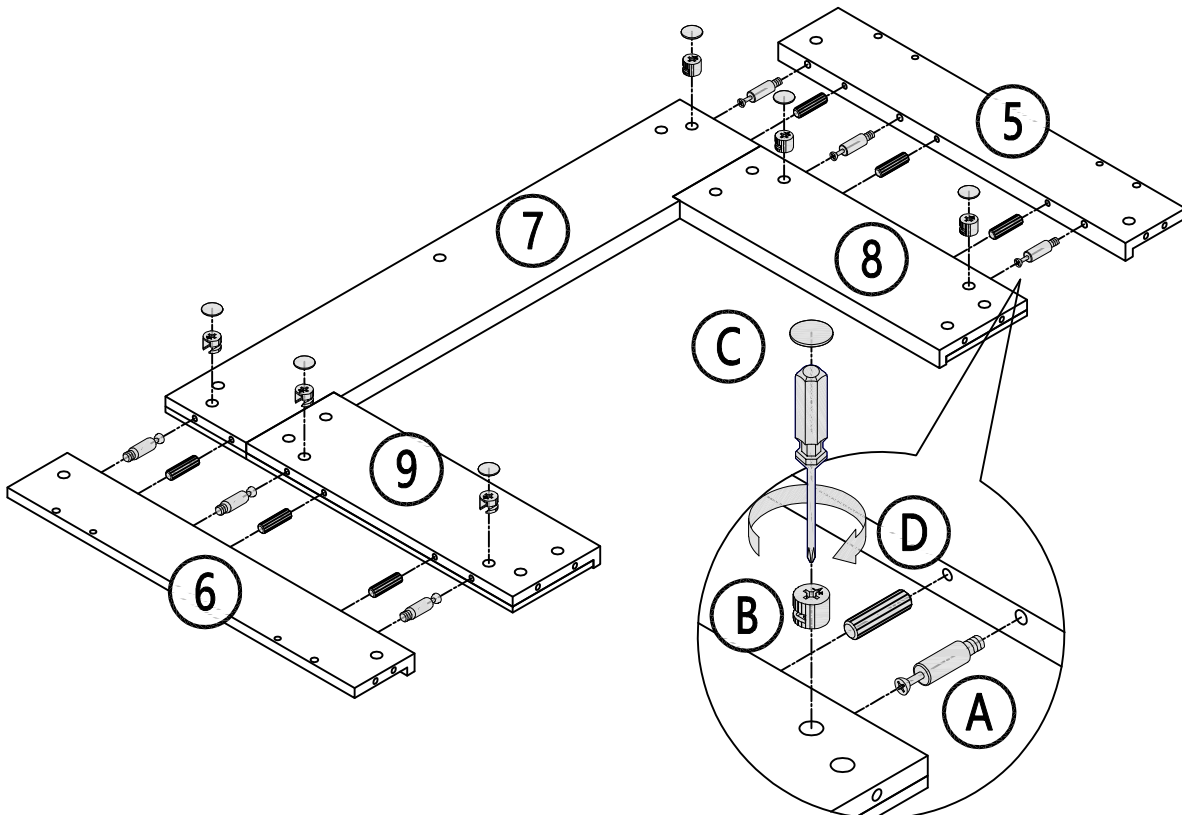
# 2

Ⓐ 6x

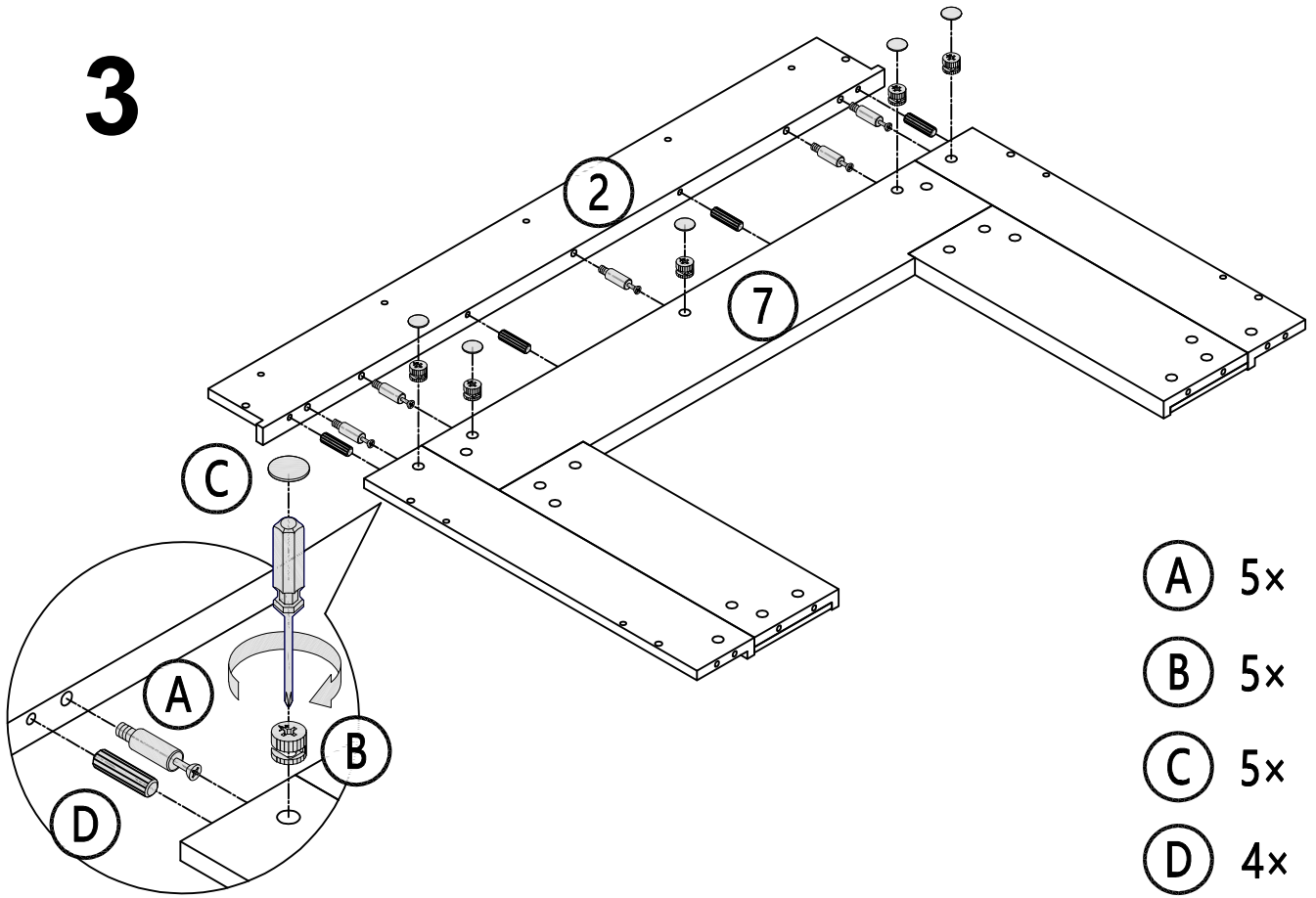
Ⓑ 6x

Ⓒ 6x

Ⓓ 6x

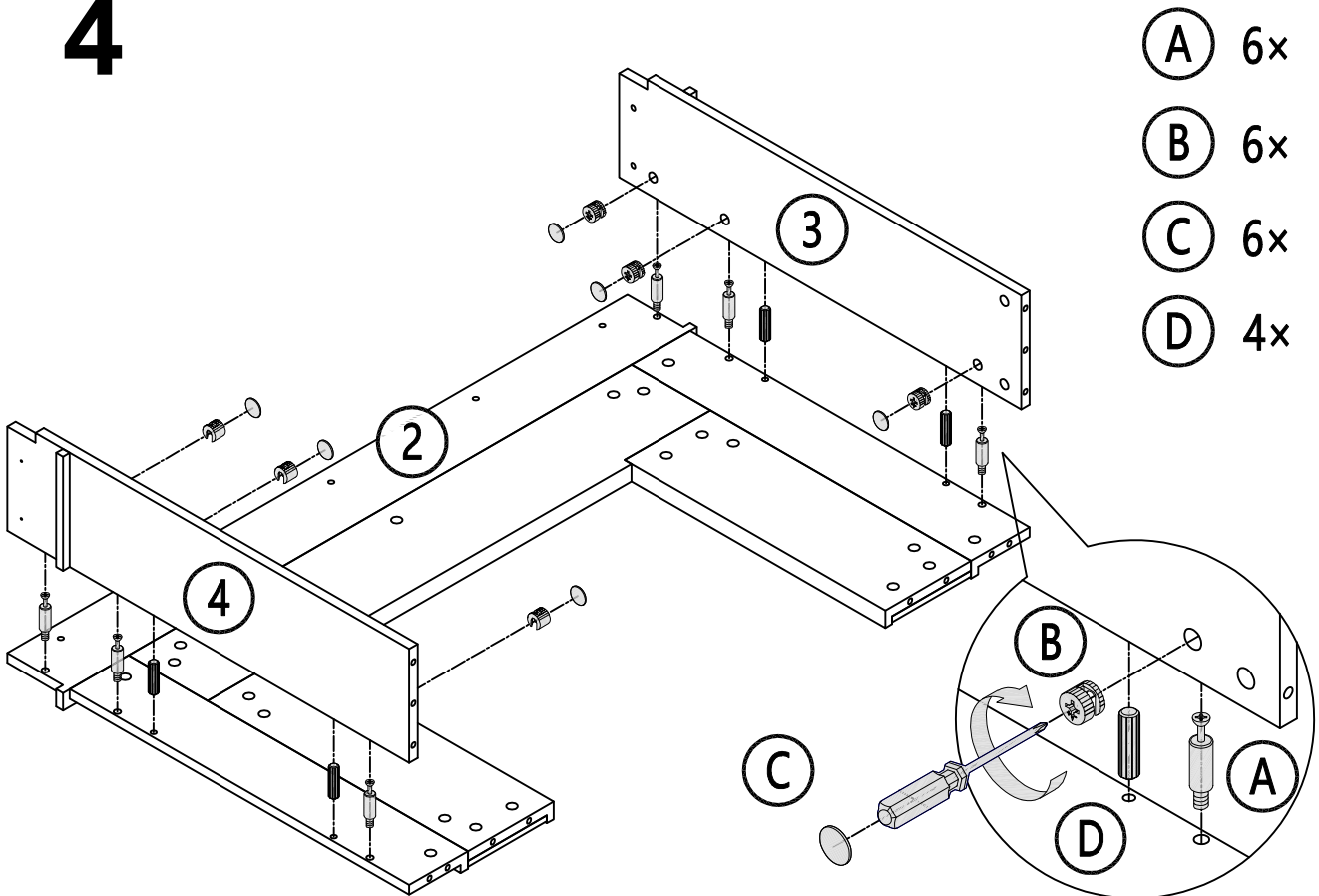


# 3



- (A) 5x
- (B) 5x
- (C) 5x
- (D) 4x

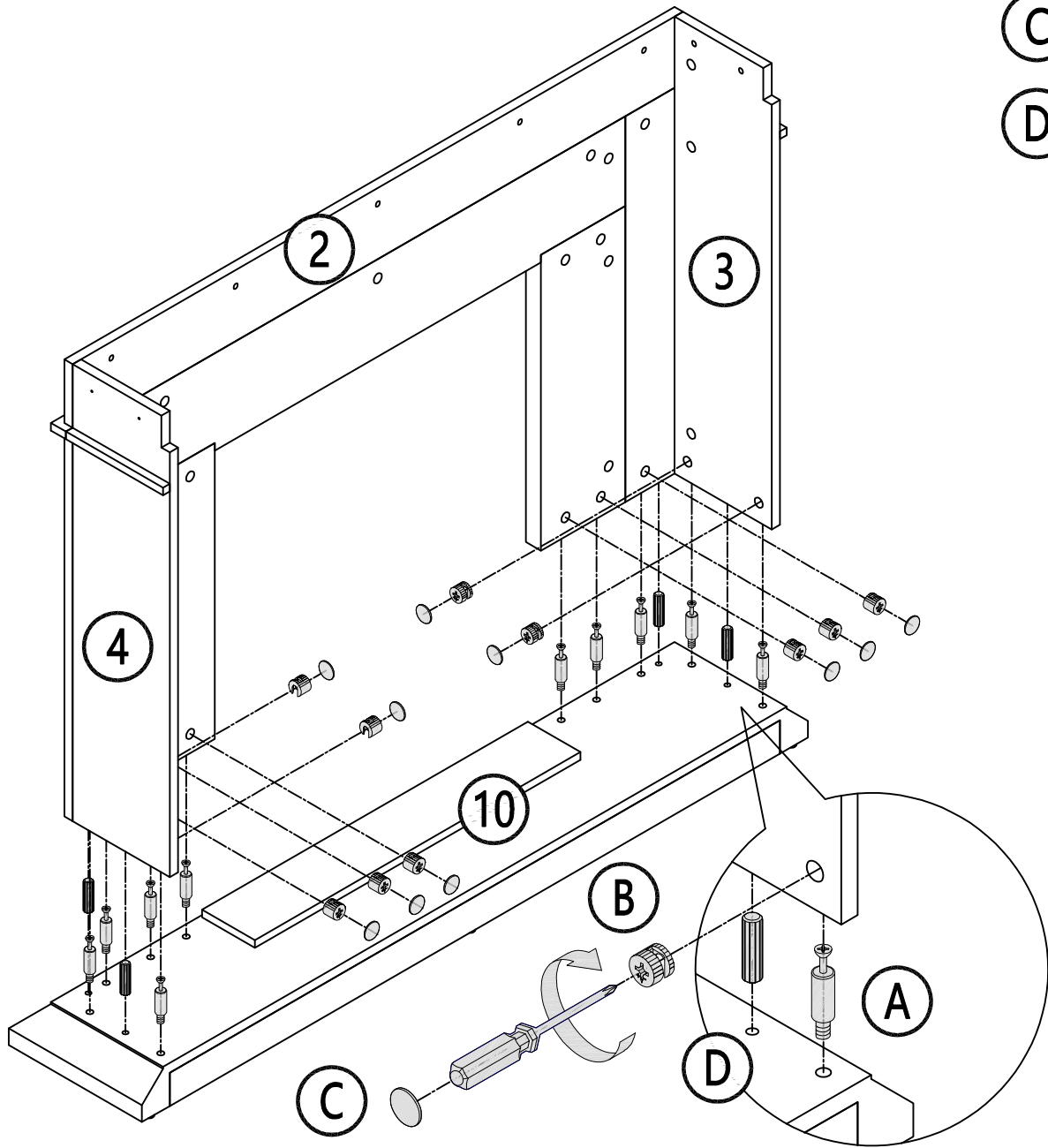
# 4



- (A) 6x
- (B) 6x
- (C) 6x
- (D) 4x

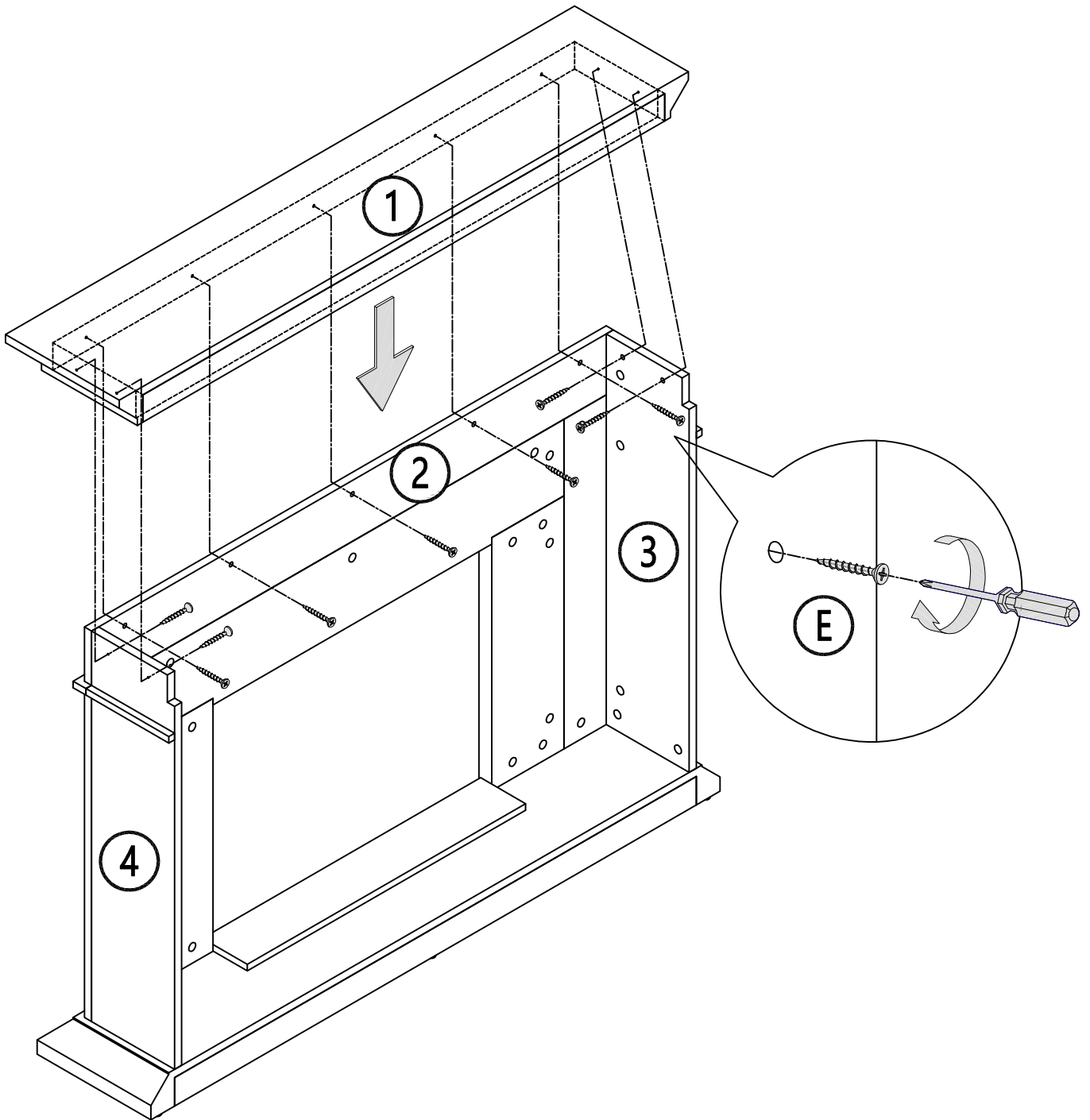
# 5

- (A) 10x
- (B) 10x
- (C) 10x
- (D) 4x



# 6

ⓔ 9x

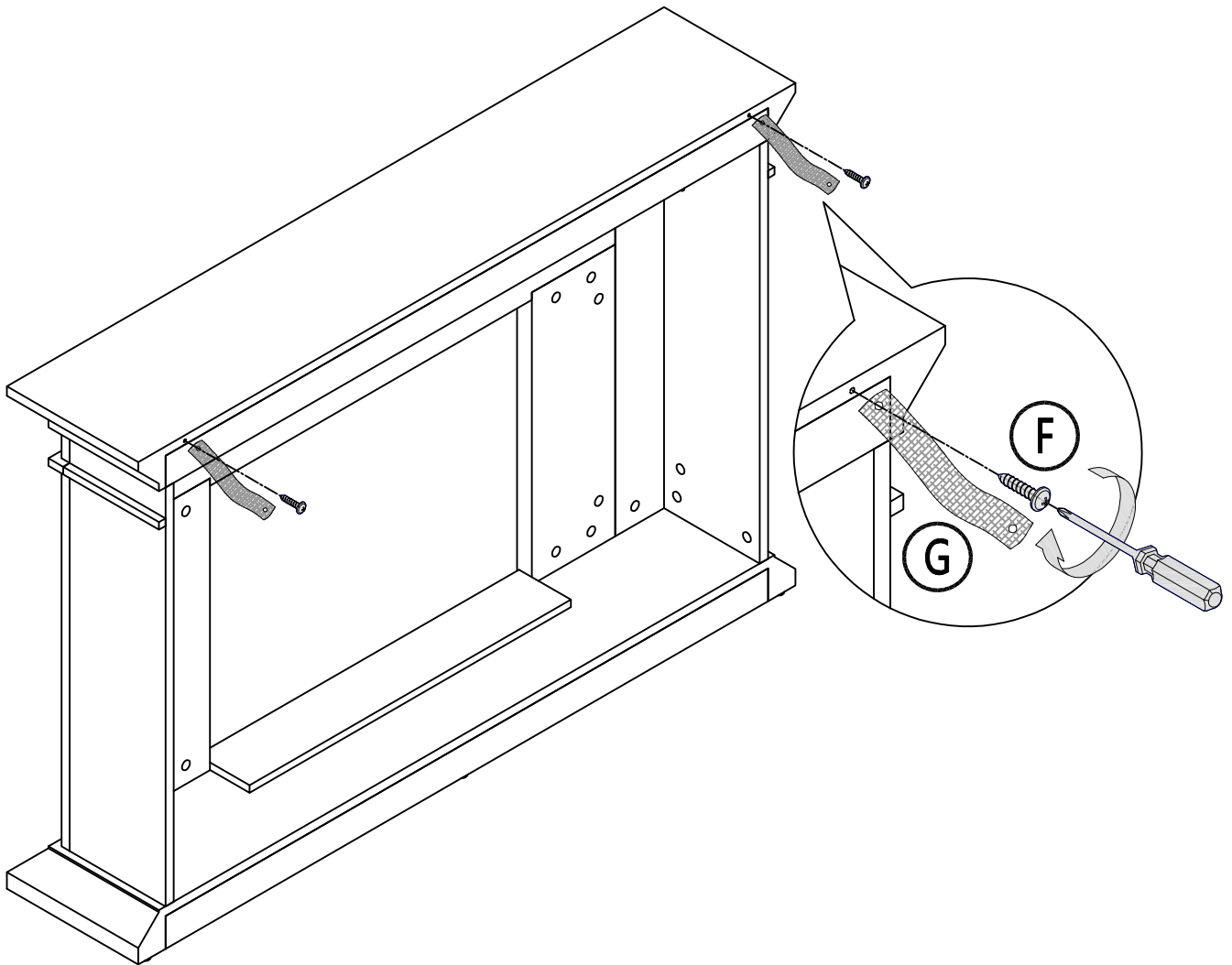


# 7

ⓕ 2x

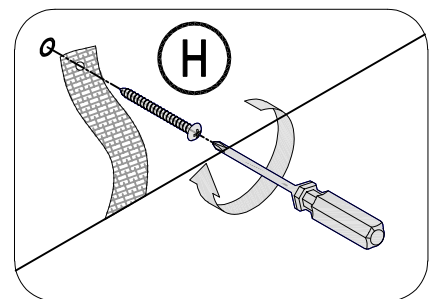
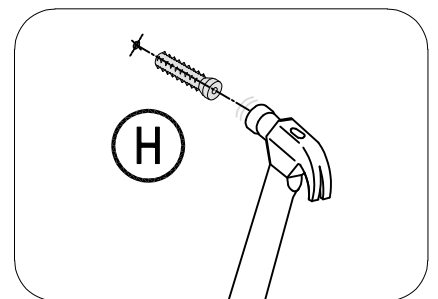
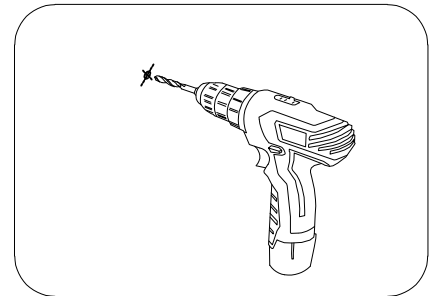
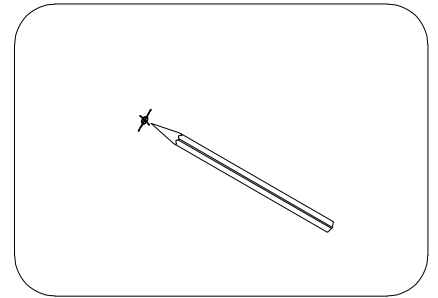
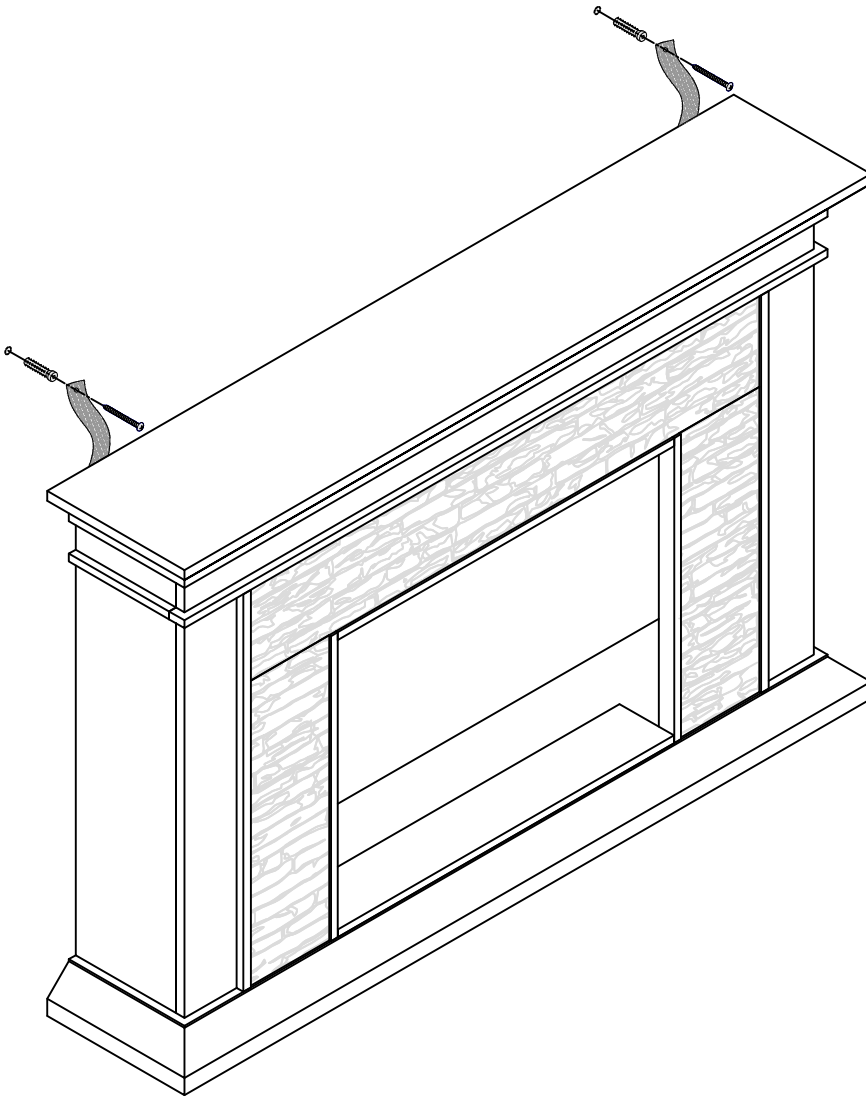
ⓖ 2x

For extra safety in preventing product from tipping over, install provided wall anchor straps.



8

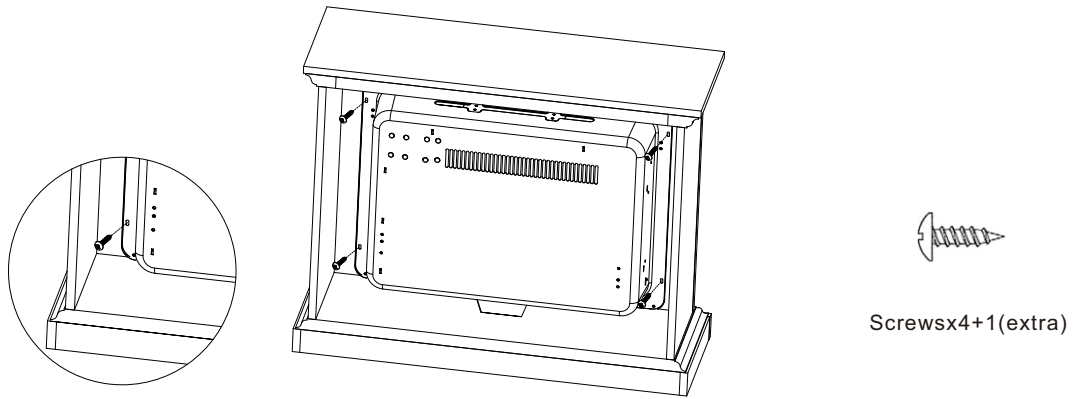
(H) 2x



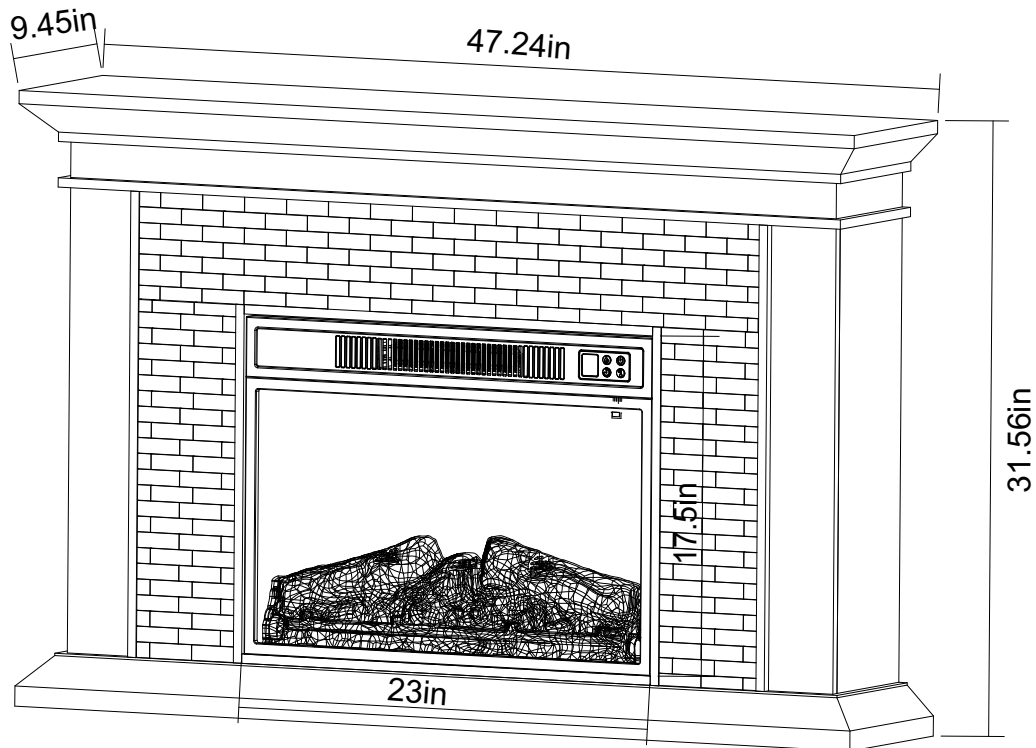
## ASSEMBLY

Carefully set the unit from the back of the mantel and center it in the opening. Check the alignment and attach the unit of the mantel by inserting screws through the drilled holes on the trim of the mantel (The screws are placed with user manual package.)

**NOTE: Do not attempt to install the unit from the front of the mantel. It will not fit.**



**Mantel Ledge MAXIMUM WEIGHT CAPACITY: 30 LBS.**



# Safety Information

## IMPORTANT SAFETY INFORMATION

PLEASE READ ALL OF THE INFORMATION IN THIS OPERATING MANUAL, INCLUDING ALL SAFETY, OPERATING, AND MAINTENANCE INFORMATION. TO AVOID THE POTENTIAL RISK OF FIRE, ELECTRIC SHOCK, OR INJURY TO PERSONS, USERS SHOULD FOLLOW THE DIRECTIONS AND WARNINGS IN THIS MANUAL.

1. Read all instructions before using this heater.
2. Do not use this heater outdoors.
3. This heater is not intended for use in bathrooms, laundry areas and similar indoor locations. Never locate the heater where it may fall into a bathtub or other water container.
4. Do not run the power cord under carpeting. Do not cover the power cord with throw rugs, runners, or the like. Arrange the power cord away from traffic areas and where it will not be tripped over.
5. To disconnect the heater, turn controls to off, then remove the plug from the outlet.
6. Attaching the ground to the screw on the outlet.
7. Connect to properly grounded outlets only. Always plug heaters directly into a wall outlet/receptacle. Never use with an extension cord or reloadable power tap (outlet/power strip).
8. To prevent a possible fire, do not block firebox air intakes or the exhaust in any manner. Do not operate the firebox on soft surfaces, like a bed, where openings may become blocked.
9. There is a thermostat limiter inside the heater. When the inner temperature over heats or abnormal heating occurs, the thermostat protective device cuts off the power supply to avoid fireplace damaged or risk of fire.
10. Use this heater only as described in this manual. Any other use not recommended by the manufacturer may cause fire, electrical shock, or injury to persons.

## SAVE THESE INSTRUCTIONS



**WARNING:** There are no user serviceable parts inside the fireplace/heater. If the unit appears to malfunction, turn the unit off and unplug the unit from the wall immediately, and contact Customer Service.



**WARNING:** This heater is hot when in use. To avoid burns, do not let bare skin touch hot surfaces. If provided, use handles when moving this heater. Keep combustible material, such as furniture, pillows, bedding, papers, clothes and curtains at least 3 ft. (0.9 meters) from the front of the heater and keep them away from the sides and rear.



**WARNING:** Extreme caution is necessary when any heater is used by or near children or invalids and whenever the heater is left operating and unattended.



**WARNING:** Always unplug the heater when not in use.



**WARNING:** Do not operate any heater with a damaged cord or plug or after the heater malfunctions, has been dropped or damaged in any manner. Return the heater to an authorized service facility for examination, electrical or mechanical adjustment, or repair.



**WARNING:** Do not insert or allow foreign objects to enter any ventilation or exhaust openings as this may cause an electric shock or fire, or damage the heater.



**WARNING:** A heater has hot and arching or sparking parts inside. Do not use in areas where gasoline, paint, or flammable liquids are used or stored.



**CAUTION:** While the heater is in use, the top center of the fireplace can get hot to the touch, and may cause serious injury or burns. Always supervise small children around the fireplace/heater. Do not place any cloth or decorations over the heater outlet of the fireplace, or otherwise obstruct the heater outlet of the fireplace, as this may cause a fire and serious injury may result.

# PREPARATION

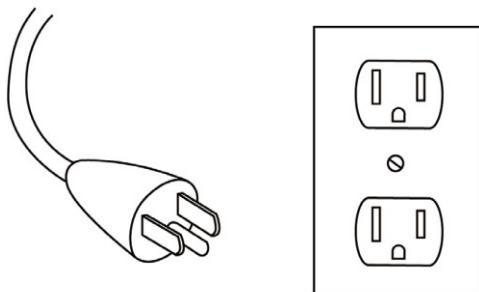
Check that the air intake and exhaust is not covered or obstructed in anyway.  
Keep combustible objects at least 3ft away from the unit.  
Plug the unit to a grounded power socket.

## Grounding

This product must be grounded. If it should malfunction or breakdown, grounding provides a path of least resistance for electric current to reduce the risk of electric shock. This unit comes standard with a 6ft (1.8m) long, three wired cord. Always plug the unit into a wall outlet. An extension or relocate tab should never be used.

### CAUTION / WARNING

- Improper connection of the equipment grounding conductor can result in a risk of electric shock. Check with a qualified electrician if you are in doubt as to whether the product is properly grounded.
- DO NOT modify the plug provided with the product nor use any bypass device if the plug does not fit the outlet. Have a proper outlet installed by a qualified electrician.



## SPECIFICATIONS

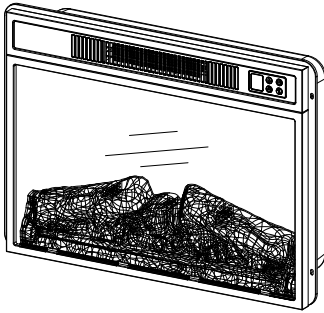
Power Rating	1400 W
Voltage	120 V
Frequency	60 Hz
Gross Weight	16.53 lb
Control	Push Button Control and Remote Controls
Heating Levels	22 Heating levels in Fahrenheit or 12 Heating Levels in Celsius
Flame Levels	1-3 levels
Media Displace	Log set
Light	Led light

# OPERATING INSTRUCTION

Read all instructions and warnings prior to operating the appliance. Ensure that all controls are in the "OFF" position before plugging the appliance in to a properly grounded electrical outlet. **Flame and heater can be presented separately or at the same time.**

The Fireplace control functions can be accessed in two ways:

- Using the touchpad control panel, located on the upper right-hand of the fireplace
- Using the multi-function remote control , functions same as control panel

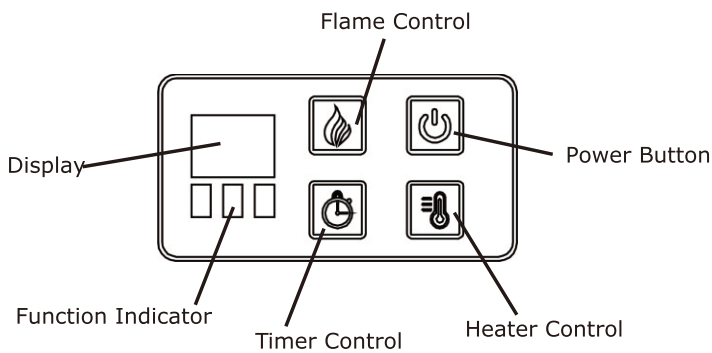


Fireplace Unit



Remote Control

## Using the Control Panel



## Control Panel

The control panel is located on the top right corner of the unit.

## Power ON / OFF

Press the power button to turn on the unit. Press again to turn off the unit.

NOTE: There is a thermostat limiter inside the unit. When the inner temperature is too hot, the unit will automatically turn off to avoid damage to the product or risk of fire.

## ⚠ CAUTION / WARNING

- DO NOT unplug the unit when it is still "ON"

## Flame Control

Press the flame control button to rotate and set flame effect levels. The flame setting are as follows.

Button Press	Flame Level	Display Value	Fireplace Appearance
1st Press	High	L3	Highest flame, logs glow
2nd Press	Medium	L2	Medium flame, logs glow
3rd Press	Low	L1	Low flame, logs glow
4th Press	OFF	None	OFF

NOTE: When the heater is turned on, the flame effect level can only rotate and set between High, Medium, and Low.

## Heater Control

Press the heater control to turn the heater on and off.

When the heater is turned on, press and hold the heater control button for 5 seconds to enter temperature adjustment mode. The LED indicator is red. In adjustment mode, the display will flash. There are 22 levels to change Fahrenheit temperature (ON, 62°F - 82°F). After this is set, the display will flash 5 times and exit from setting status.

To switch from degree Fahrenheit to degree Celsius, press and hold the power button for 5 seconds when the heater is turned on. The LED indicator will turn to green, press and hold the heater control button for 5 seconds to enter temperature adjustment mode. There are 12 levels to change Celsius temperature (ON, 17°C - 27°C). Repeat the same process to convert Celsius to Fahrenheit.

NOTE: Degree Fahrenheit will be displayed in RED and degree Celsius will be displayed in Green.

## Timer Control

Press the timer button to turn the timer on. The timer function can control both the flame effect and heater.

The timer can be set as the table suggested below.

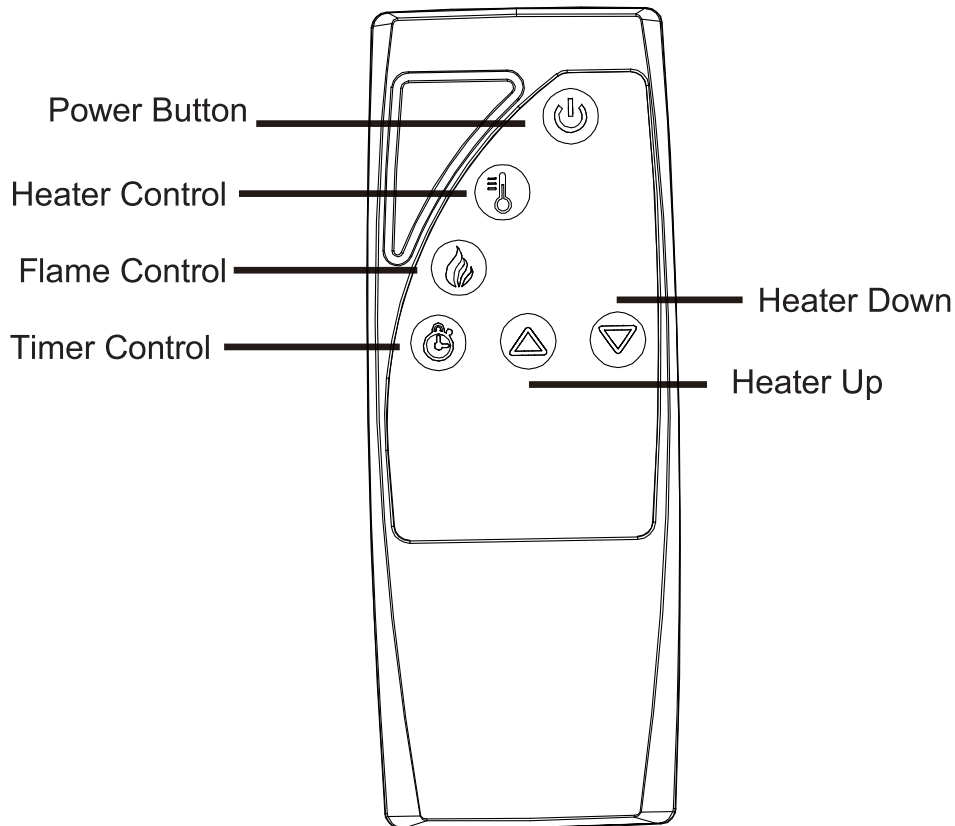
Button Press	Timer Interval	Display
1st press	30 Minutes	30
2nd press	1 Hour	1h
3rd press	2 Hours	2h
4th press	3 Hours	3h
5th press	4 Hours	4h
6th press	5 Hours	5h
7th press	6 Hours	6h
8th press	OFF	None

NOTE: Timer only controls heater if only the heater is on before timer is set.

NOTE: Timer only controls flame effect function if only the flame effect function is on before timer is set.

NOTE: Timer can control both heater and flame effect function if both are on before timer is set

## USER INSTRUCTION (REMOTE CONTROL)



## USER INSTRUCTION (REMOTE CONTROL)

### Remote Control

The operation of the remote control buttons work the same as the button on the control panel.

NOTE: The remote control cannot be used to switch between degree Fahrenheit and degree Celsius.

### Install / Replace Battery

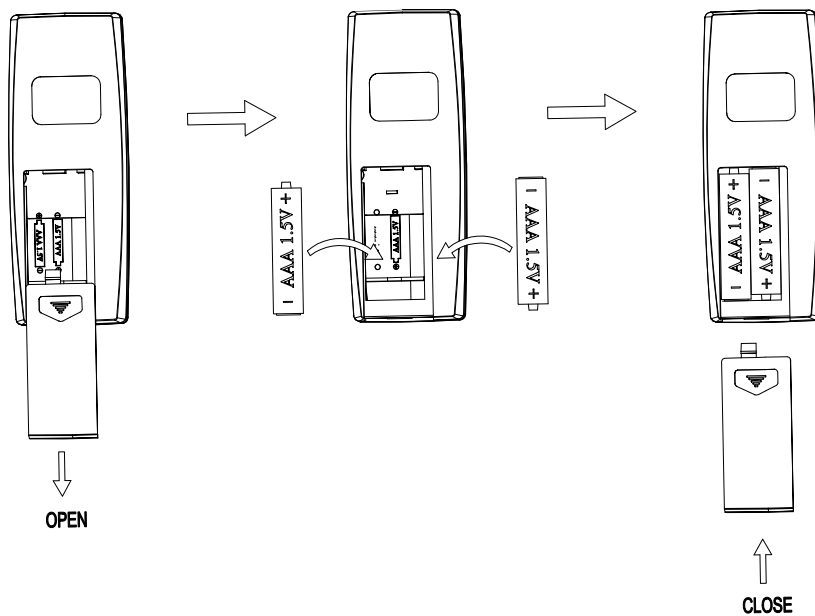
The remote control is provided with a CR2025 battery. Remove the plastic insulating sheet before using.

To replace or remove old battery, push in the clip and pull the battery bracket out simultaneously.

Insert a new battery with the button side into the battery bracket, make sure the battery is firmly seated.

To replace the bracket, simply push it into the remote control. Make sure the bracket snaps into position.

NOTE: Remove batteries from remote control when it will not be used for an extended period of time.



### CAUTION / WARNING

- Dispose old / used battery at a suitable recycling point or according to local regulations.
- DO NOT ingest battery. If accidentally swallowed, seek for medical help immediately.

## CARE AND MAINTENANCE

### Cleaning the unit:

Always turn off and unplug the unit from power outlet before cleaning.

Allow the unit to cool down completely before performing any maintenance or cleaning.

Use a vacuum cleaner or duster to regularly remove any accumulated dust on the unit

Use a damp soft cloth to clean the surface and buff with a dry cloth.

Do not use abrasive cleansers, liquid sprays or any cleaner that could scratch the surface.

## TROUBLE SHOOTING

Problem	Solution
The unit does not turn on	Make sure the unit is plugged into a standard 120V grounded power source. Press the power button on the control panel.
Flame effect is on, but there is no flame effect	Open the top and back panel to check if the flame spindle has fallen off from the spindle motor.
The heater does not blow warm air	Make sure the set temperature is higher than the room temperature.
The heater does not work	Turn all switches to OFF and unplug the unit for 5 minutes. Plug the unit back to power and operate as normal.
Error Code E3 shown on the indicator	Reset the unit by unplugging the unit from power source for 5 minutes and then plug it back.
Remote control does not work	Use it closer to the unit / change battery / remove insulating plastic sheet.