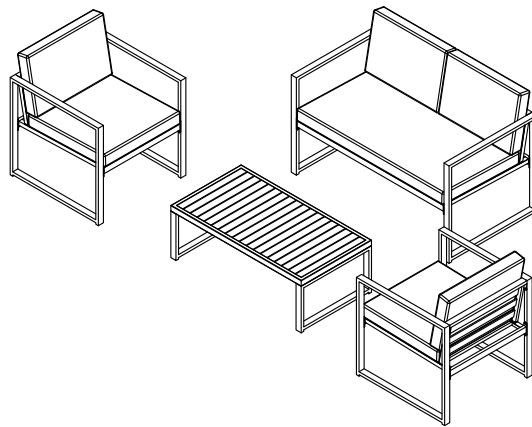
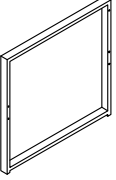
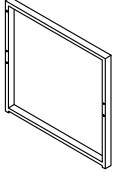
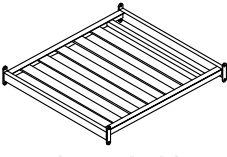
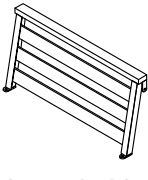

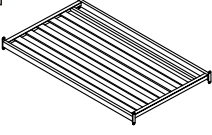
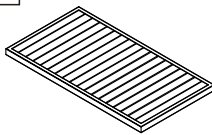
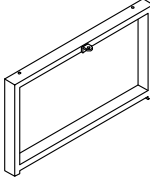


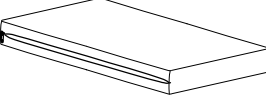
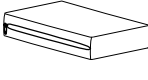


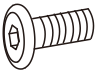
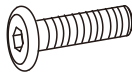


4 Piece Multiple Chairs Seating Group with Cushions



PART LIST

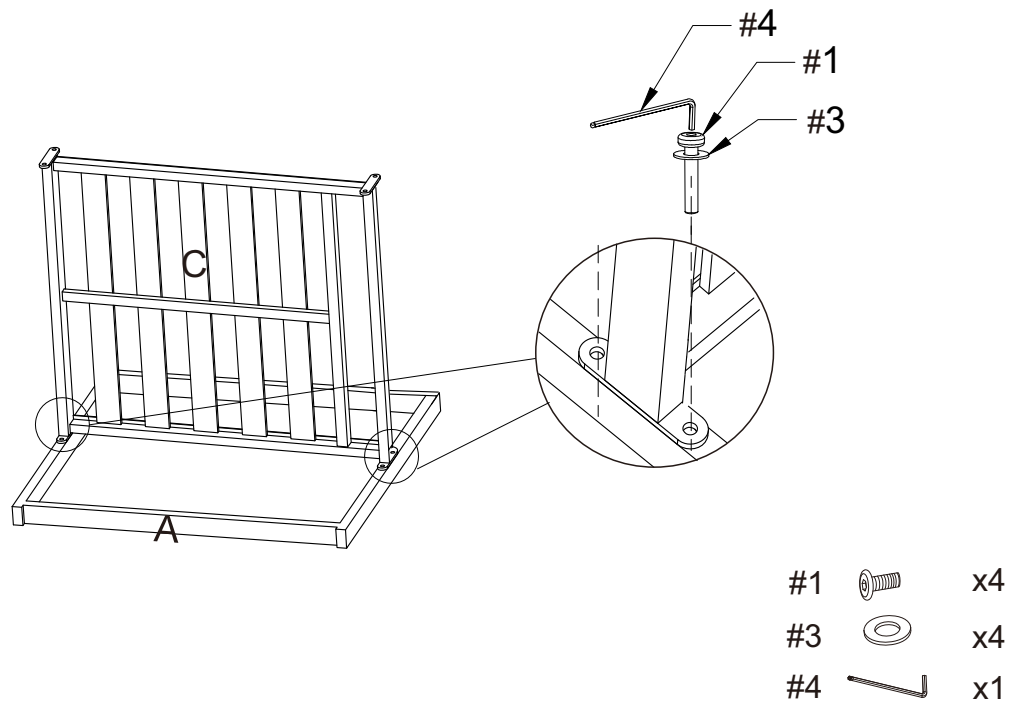
A 	B 	C  (arm chair)	D  (arm chair)	E  (loveseat)
Left Arm Panel 3 PCS	Right Arm Panel 3 PCS	Seat Panel 2 PCS	Back Panel 2 PCS	Back Panel 1 PC
F  (loveseat)	G 	H 	I  (arm chair)	J  (arm chair)
Seat Panel 1 PC	Top Panel 1 PC	Side Panel 2 PCS	Seat Cushion 2 PCS	Back Cushion 2 PCS
K  (loveseat)	L  (loveseat)			
Seat Cushion 1 PC	Back Cushion 2 PCS			

HARDWARE LIST

#1  M6*15mm	#2  M6*30mm	#3  M6mm	#4  M6mm
Short Bolt 39 PCS (Extra 2)	Long Bolt 4 PCS (Extra 2)	Flat Washer 43 PCS (Extra 2)	Allen Wrench 1 PC

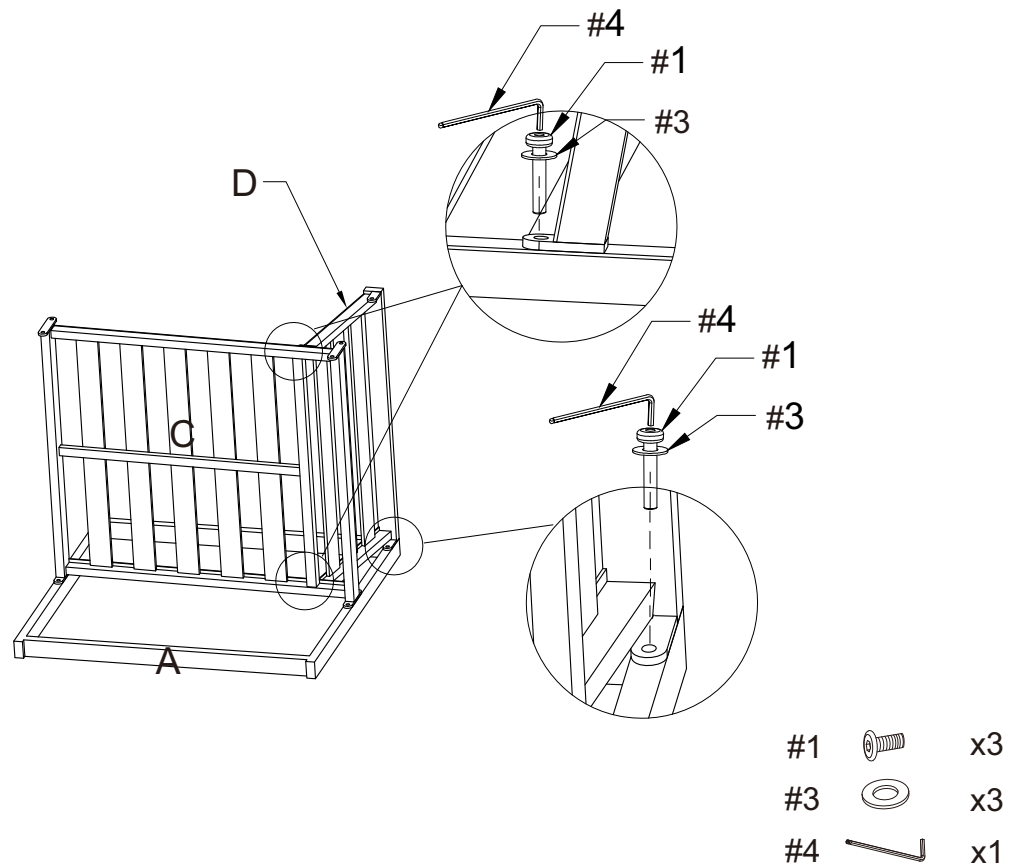
Step 1. Lay left arm panel (part A) upside down on a soft flat surface, such as carpet, as shown below. Attach seat panel (part C) to left arm panel (part A) using short bolts (part #1), flat washers (part #3) and allen wrench (part #4).

NOTE: Please do not fully tighten bolts until unit is fully assembled.



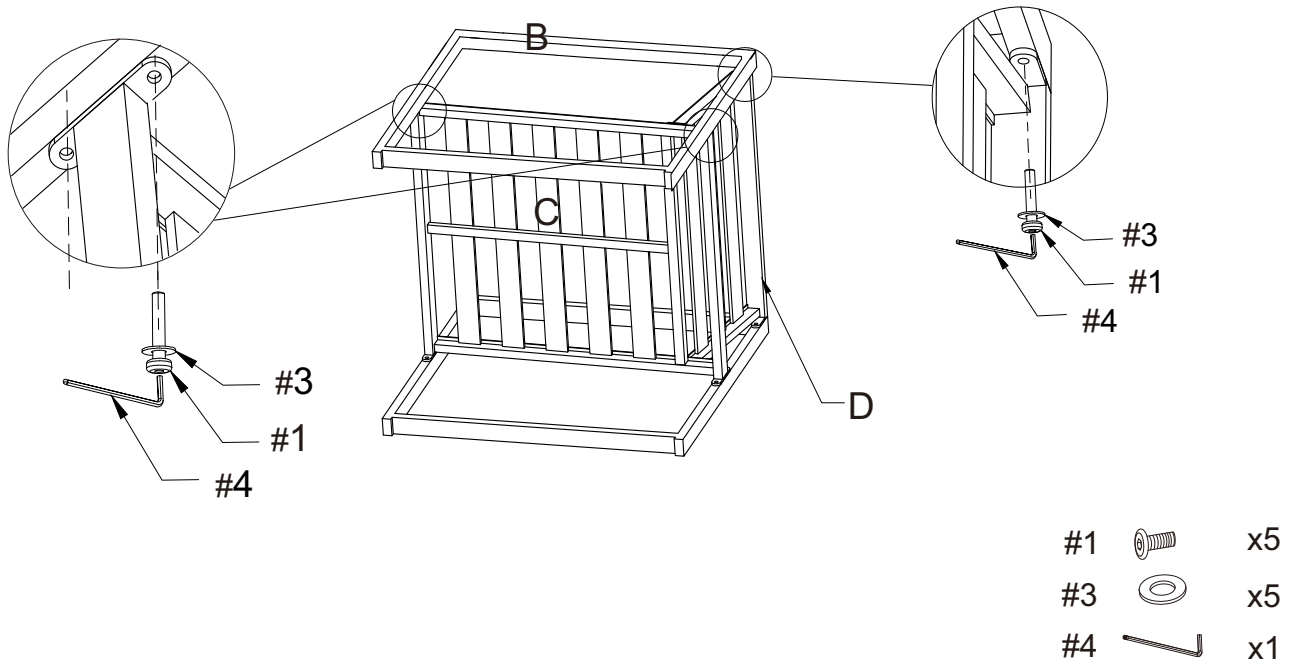
Step 2. Attach back panel (part D) to assembled unit (parts A & C) using short bolts (part #1), flat washers (part #3) and allen wrench (part #4).

NOTE: Please do not fully tighten bolts until unit is fully assembled.

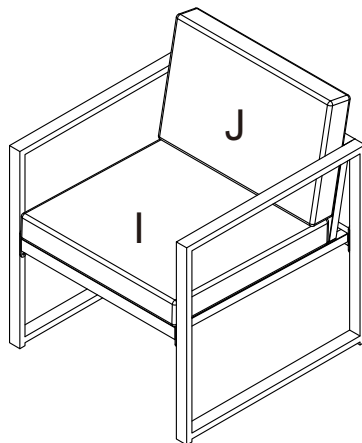


Step 3. Attach right arm panel (part B) to back panel (part D) and seat panel (part C) using short bolts (part #1), flat washers (part #3) and allen wrench (part #4).

NOTE: Please fully tighten all bolts at this time.

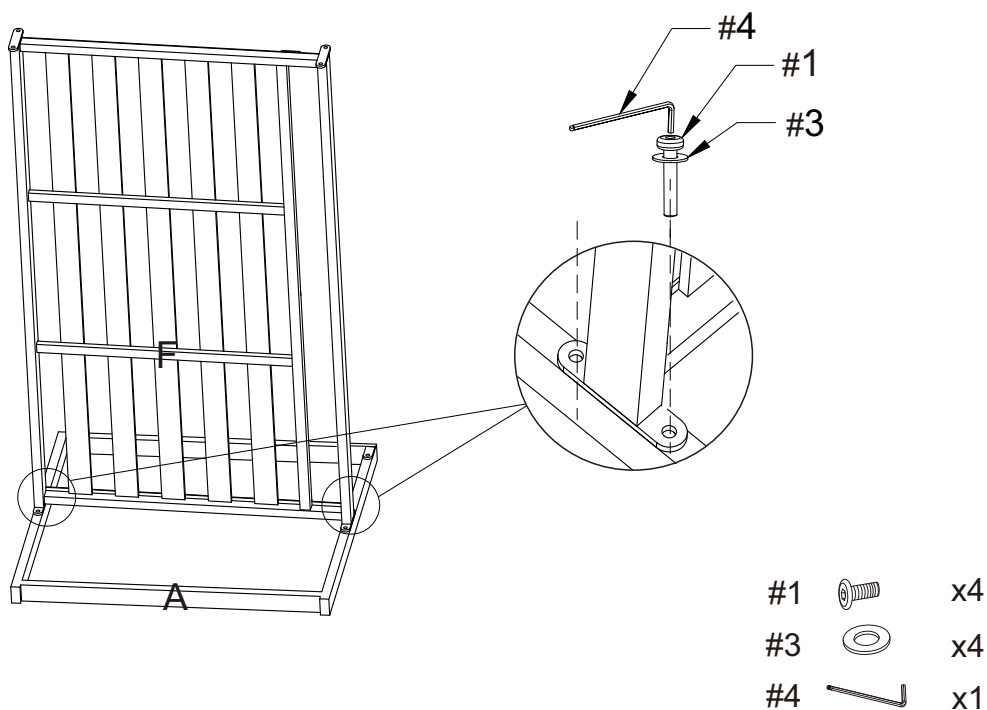


Step 4. Carefully turn unit upright. Place seat cushion (part I) and back cushion (part J) as shown below. Repeat steps 1-4 to assemble remaining chair.



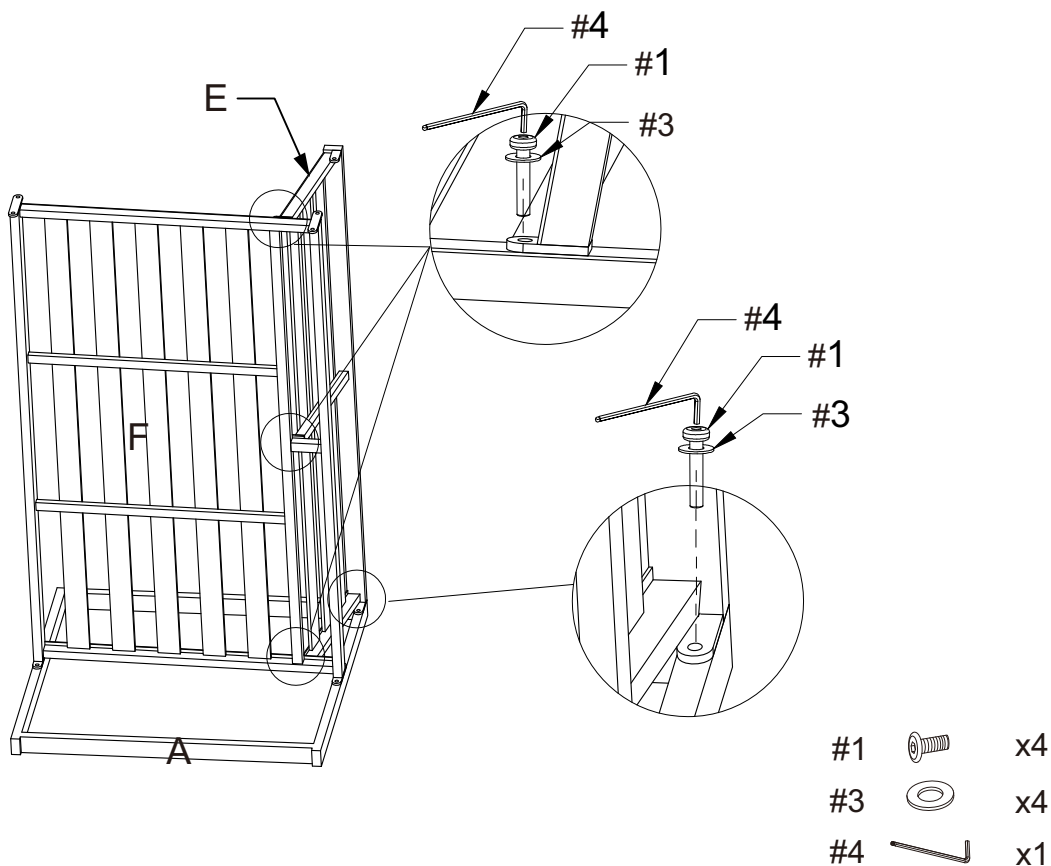
Step 5. Lay left arm panel (part A) upside down on a soft flat surface, such as carpet, as shown below. Attach seat panel (part F) to left arm panel (part A) using short bolts (part #1), flat washers (part #3) and allen wrench (part #4).

NOTE: Please do not fully tighten bolts until unit is fully assembled.



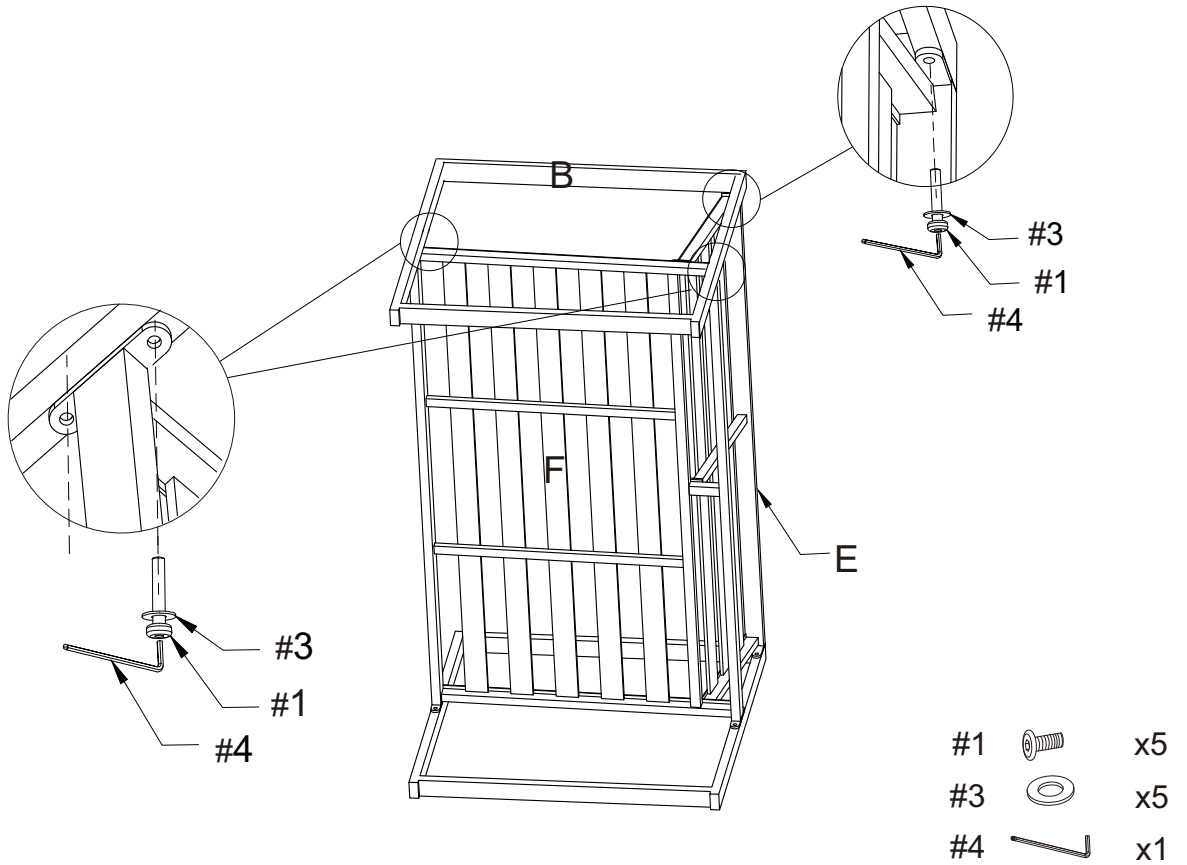
Step 6. Attach back panel (part E) to assembled unit (parts A & F) using short bolts (part #1), flat washers (part #3) and allen wrench (part #4).

NOTE: Please do not fully tighten bolts until unit is fully assembled.

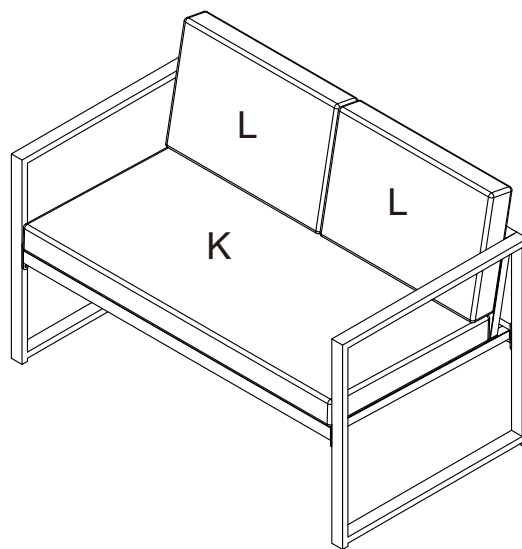


Step 7. Attach right arm panel (part B) to back panel (part E) and seat panel (part F) using short bolts (part #1), flat washers (part #3) and allen wrench (part #4).

NOTE: Please fully tighten all bolts at this time.

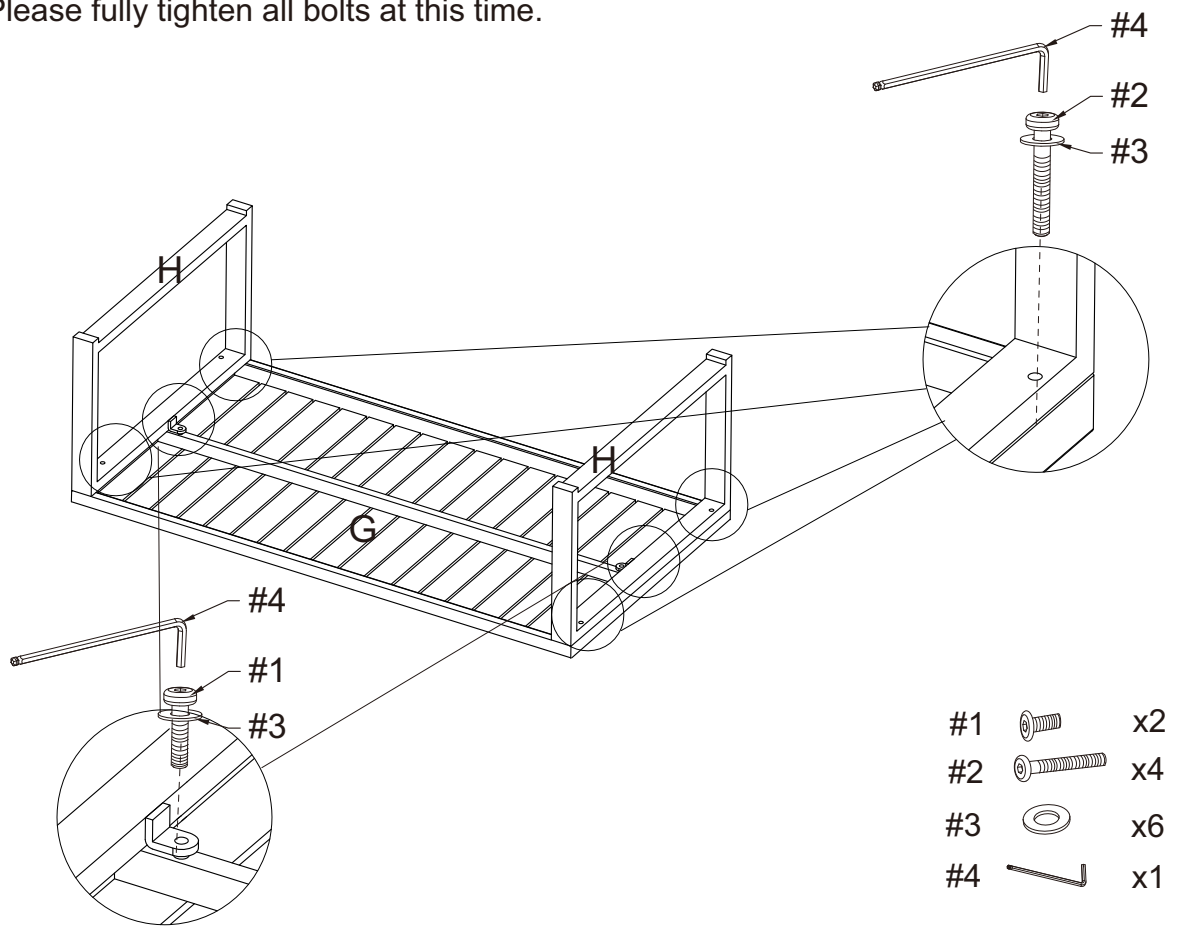


Step 8. Carefully turn unit upright. Place seat cushion (part K) and back cushions (part L) as shown below.



Step 9. Lay top panel (part G) upside down on a soft flat surface, such as carpet, as shown below. Attach side panels (part H) to top panel (part G) using short bolts (part #1), long bolts (part #2), flat washers (part #3) and allen wrench (part #4).

NOTE: Please fully tighten all bolts at this time.



Step 10. Carefully turn unit upright.

