

\*In case of any questions or missing parts,  
please contact us

# Installation Instructions

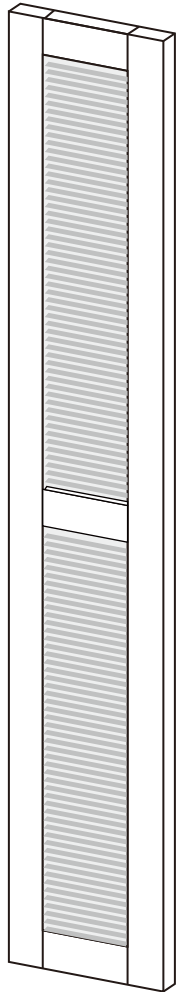
## **2 Panels**

This package may contain extra parts/screws.

Piezas adicionales y tornillos podrán estar empacados en la bolsa.

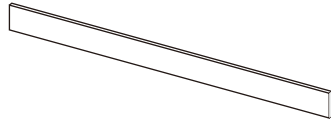
Il se peut que des pièces et des vis supplémentaires soient emballées dans le sac.

1



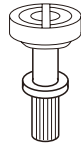
2X Panels

2



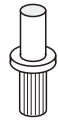
1X Fascia

3



1X Top pivot (A2)

4



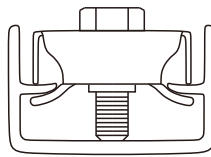
1X Top pivot (A1)

5



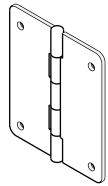
1X Bottom pivot (B)

6



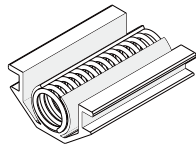
1X Track (C)

7



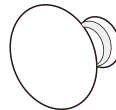
3X Center Hinge

8



1X Snigger (G)

9



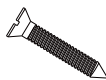
1X Pull (E)

10



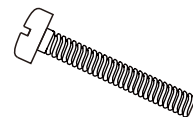
7X Long Screw

11



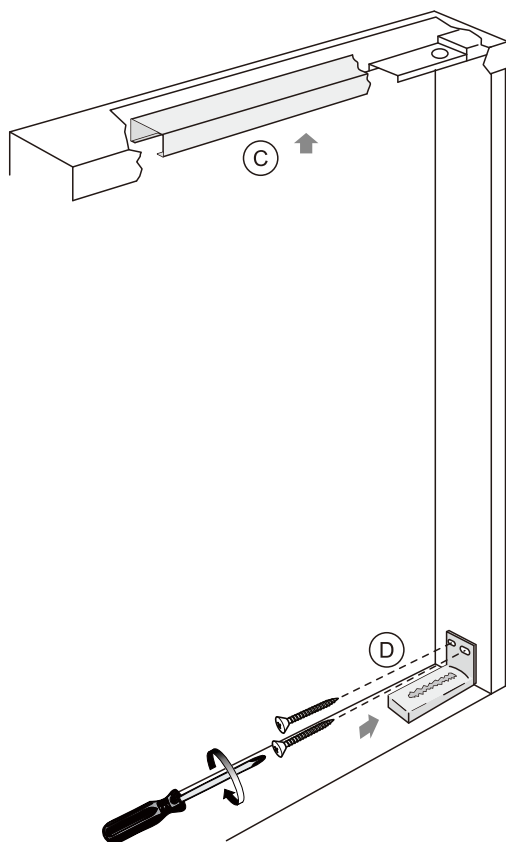
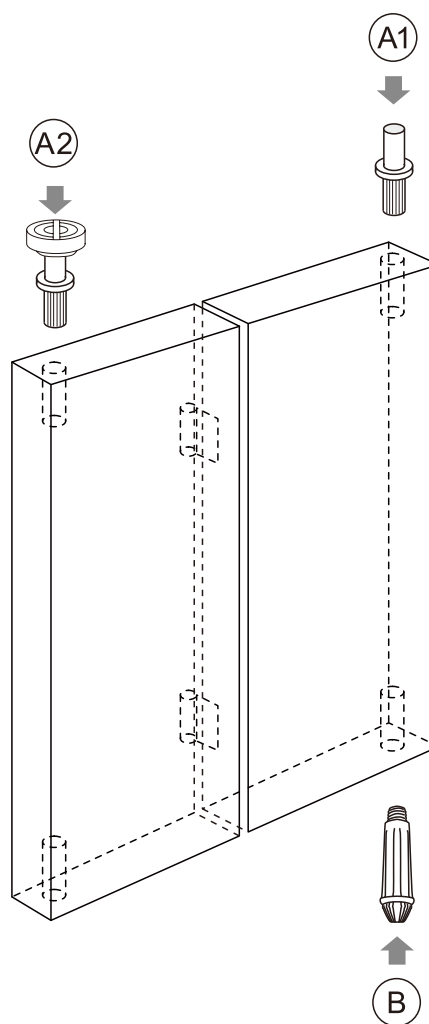
12X Short Screw

12



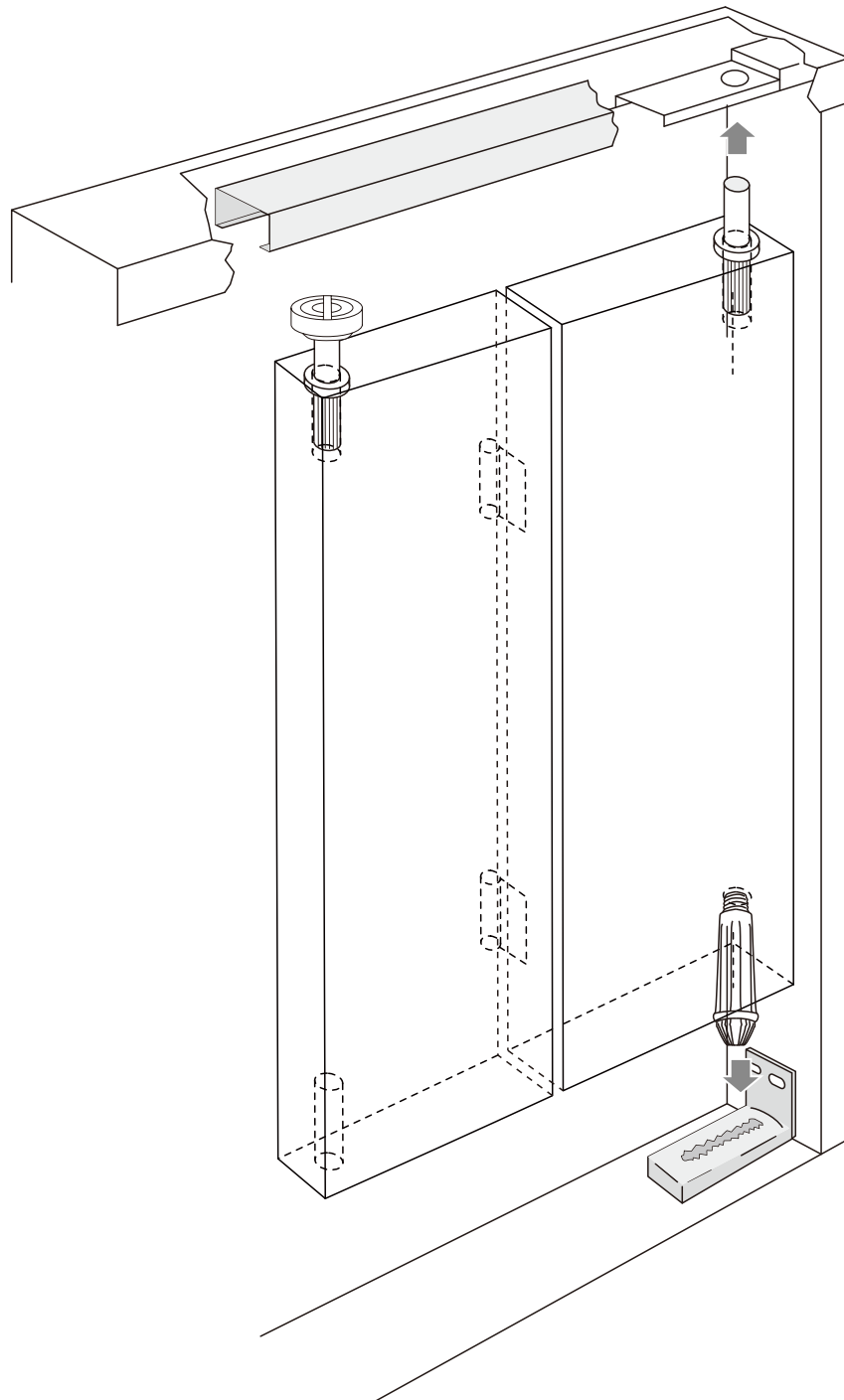
1x Machine Screw (Pull)

Step 1. Drill one hole at the top edge of each door panel. Decide which door panel will be the pivot door panel, and then drill one hole at the bottom edge of that door panel. Insert the top pivot(A1) and top pivot(A2) into predrilled holes at top edge of door panels. Insert bottom pivot (B) into a predrilled hole at bottom edge of pivot door panel at the jamb side of the door opening.

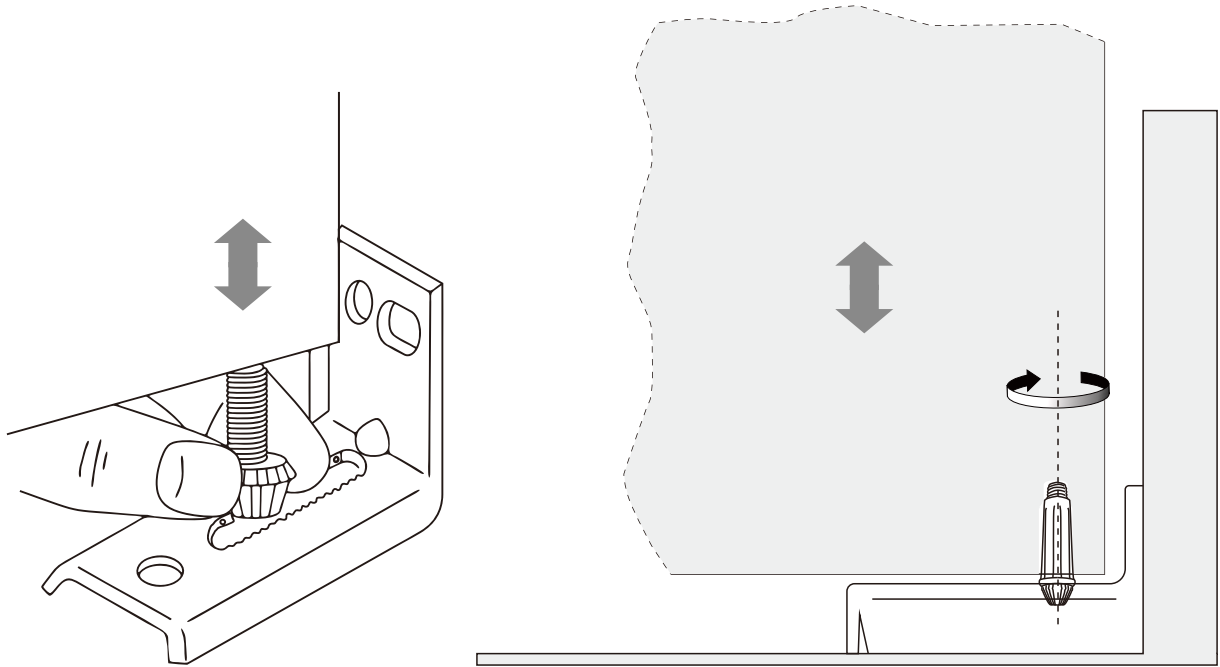


Step 2. Use the long screws provided to fasten the track(C)at the top opening on header. Put the bracket firmly onto the floor, and then use the 1-1/2'screws to fasten the jamb bracket (D) in line with track on jamb side of the opening.

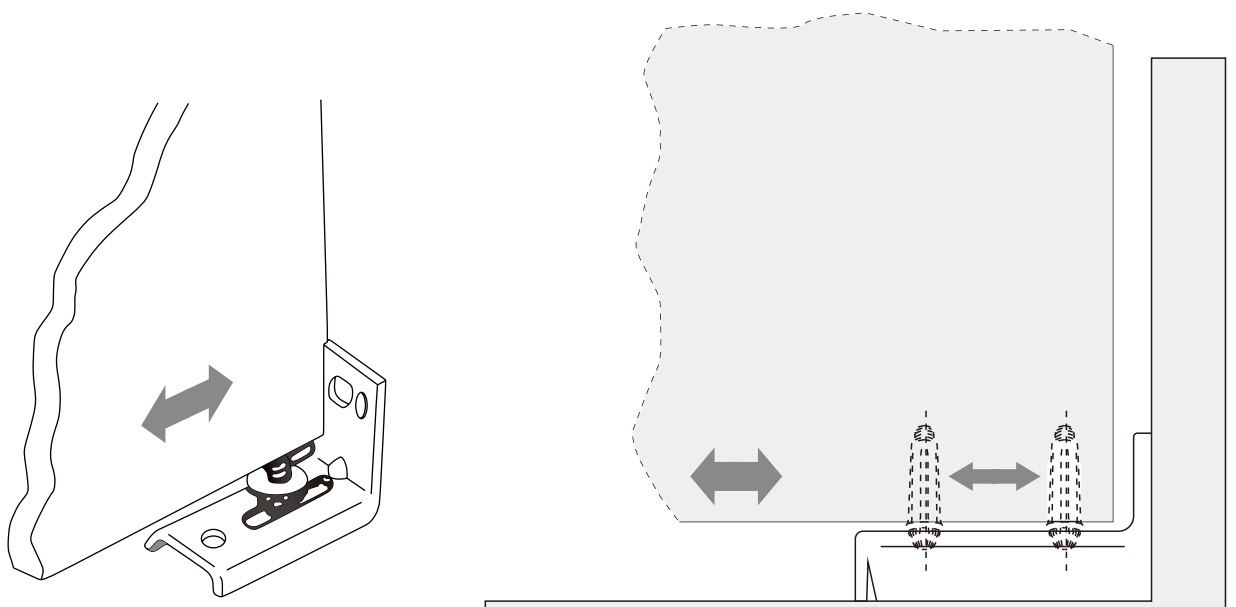
Step 3. Install door panels by inserting the top pivot at the pivoting side of door into track. With both pivots inserted, lift upward on panels and position the bottom pivot onto the jamb bracket on floor. Let bottom pivot sit into the jamb bracket at desired height.



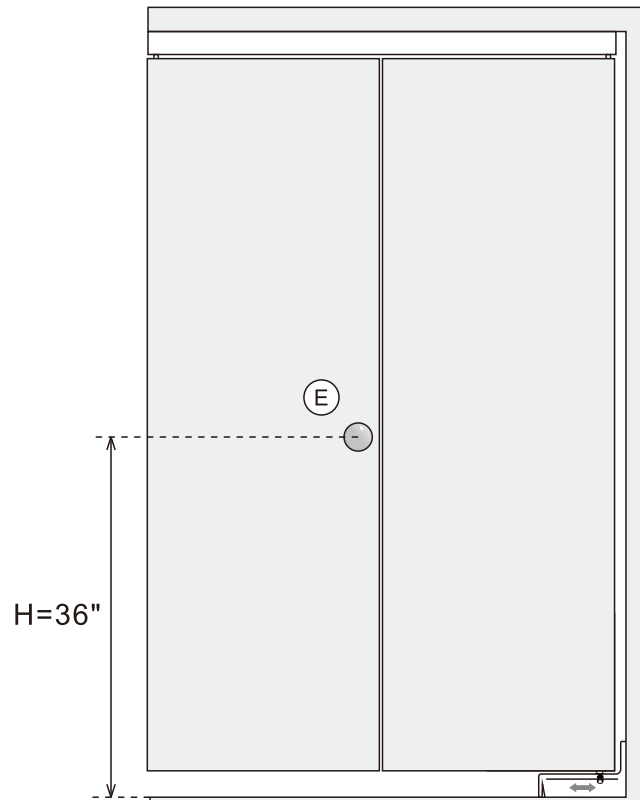
Step 4. Adjust door height by slightly lifting panels and turning threaded stem of the bottom pivot. Seat pivot into the jamb bracket at the desired height.



Step 5. Adjust door horizontally by changing position of bottom pivot in the jamb bracket. Lift door slightly and move bottom pivot in either direction as necessary to bring door plumb with opening. Check to ensure guide pivot does not disengage during door operation, and door edge does not rub jamb. If necessary, adjust track bracket by loosening bracket screw and slide bracket within the track. Tighten at desired position.



Step 6. Mounted knobs (E) in predrilled holes or at center of guide door; approximately 36 inches from floor.



Step 7. Insert the Snugger (G) into track at guide door side of opening.

