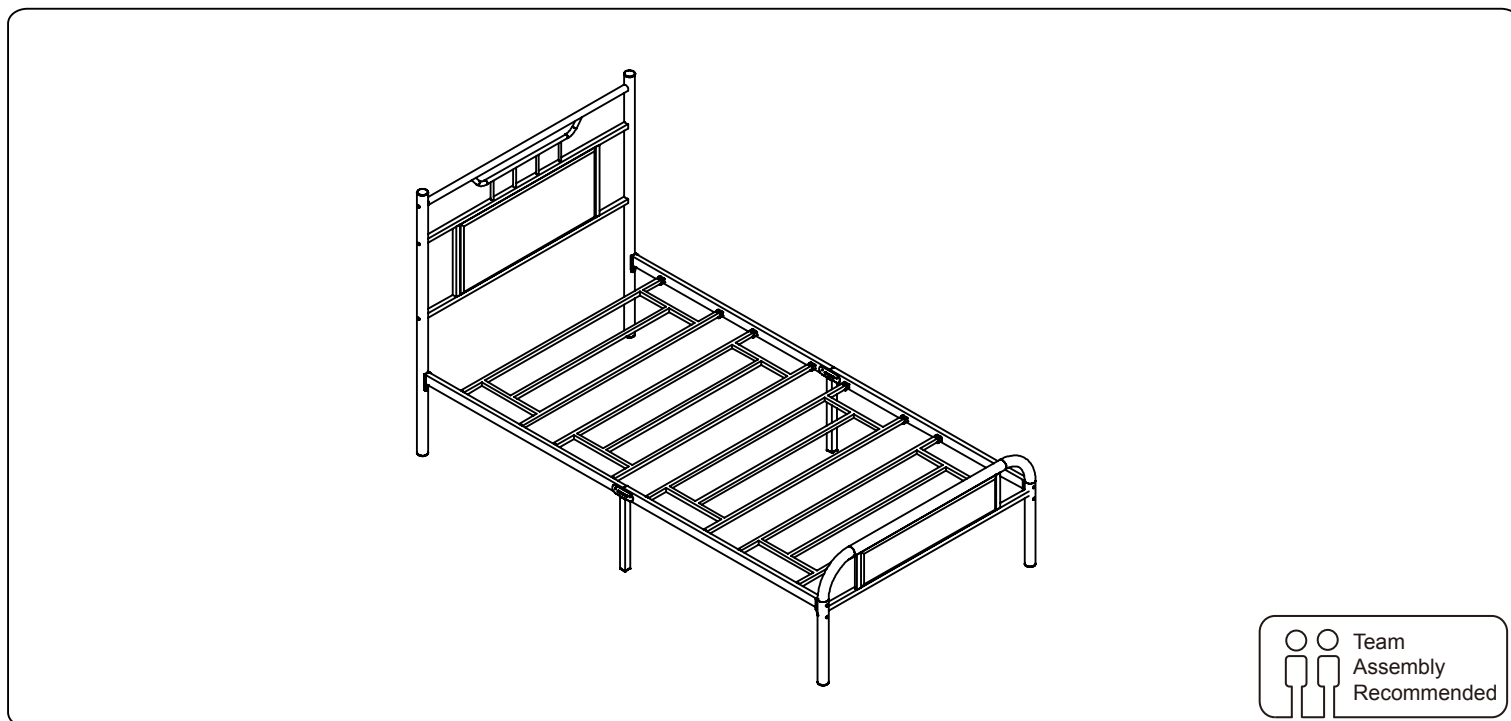


Bed Frame Installation Manual



Componets ▶

Screws & Tools ▶

(A)		M8x50mm	x4
(B)		M6x60mm	x6
(C)		M6x30mm	x4
(D)		M6x20mm	x16
(L)		M8	x8
(M)		M6x20mm	x4
(N)		M4	x2

1 X2
2 X1
3 X1
5 X1
6 X1
8 X4

Check all the components & screws before assembly. Do not install in case part is missing, contact us to get. Send email with your question to us. We will resend within 24 hours.

Return Policy

We believe you will absolutely love your Metal platform bed. But if for some reason you want to return the foundation, please contact us directly before you decide to return your product. The item must be returned within 30 days of delivery for a full refund. The item must be returned in good condition, in original box, with all original proof of purchase, parts and accessories.

Trouble shooting:

Missing parts

↓

Send email with your question to *us*.

↓

Resend within 24 hours

↓

Issue resolved

Other issues

↓

Send email with your issue to *us*.

↓

Respond within 24 hours

↓

Issue resolved

We control manufacturing and distribution ourselves, ensure the quality.

1

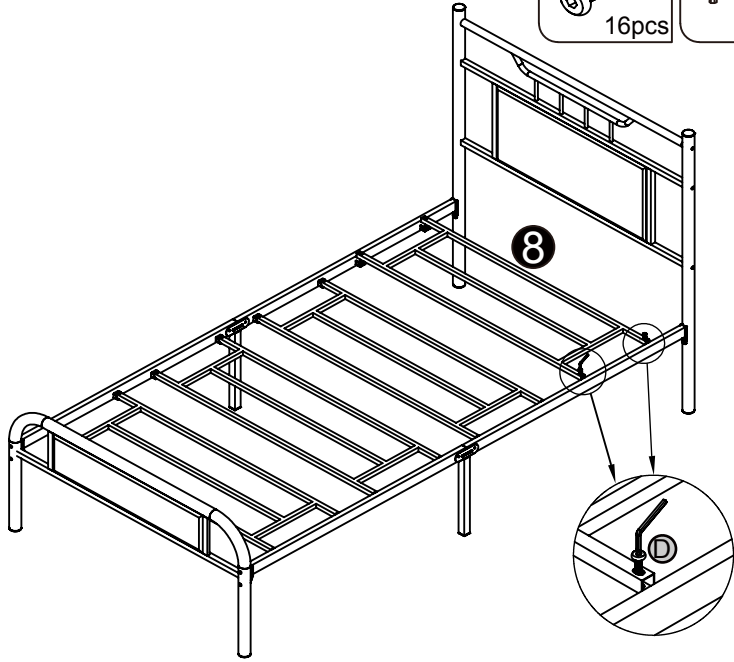
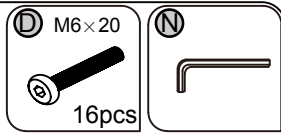
Note: For easy setup intention, do not tighten screws during the installation process

(B) M6x60 6pcs
(N) L-Bracket

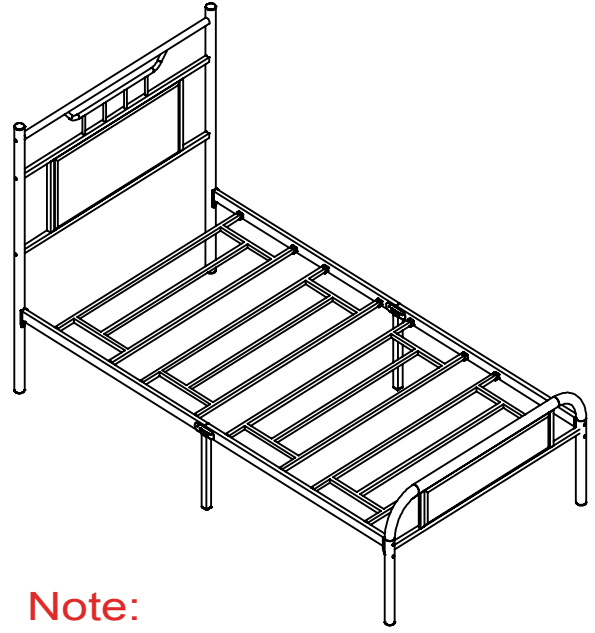
2

(A) M8x50 4pcs
(C) M6x30 4pcs
(L) M8 8pcs
(M) M6x20 4pcs
(N) L-Bracket

3



4



Note:
Check and tighten all screws