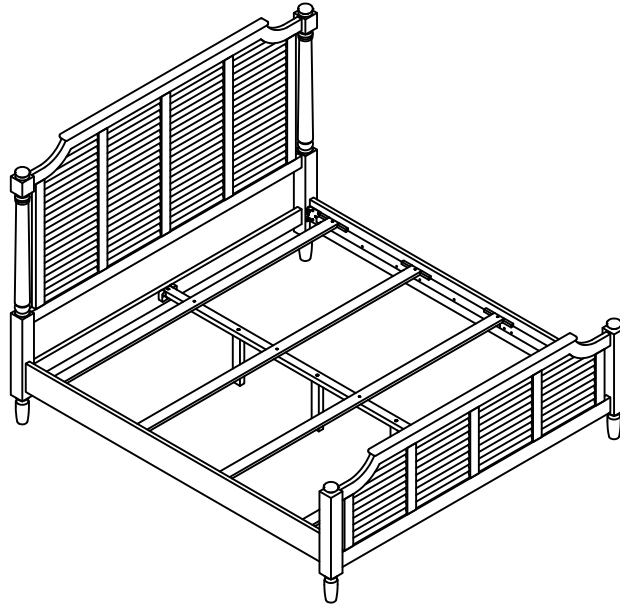
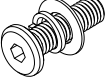
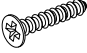

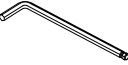
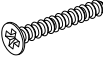
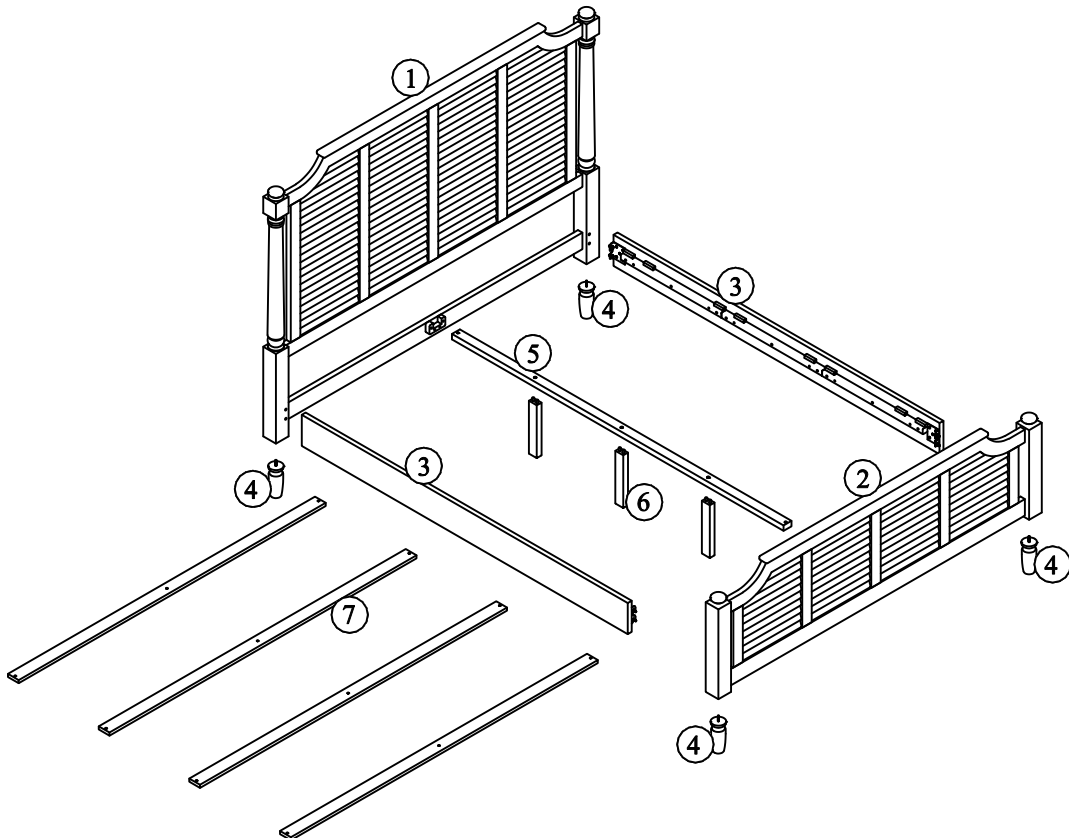


ASSEMBLY INSTRUCTIONS NANTUCKET PANEL BED

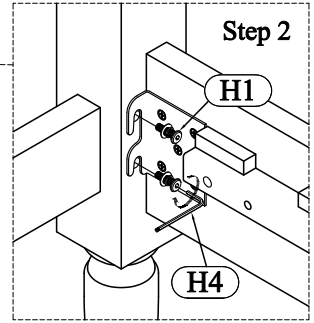
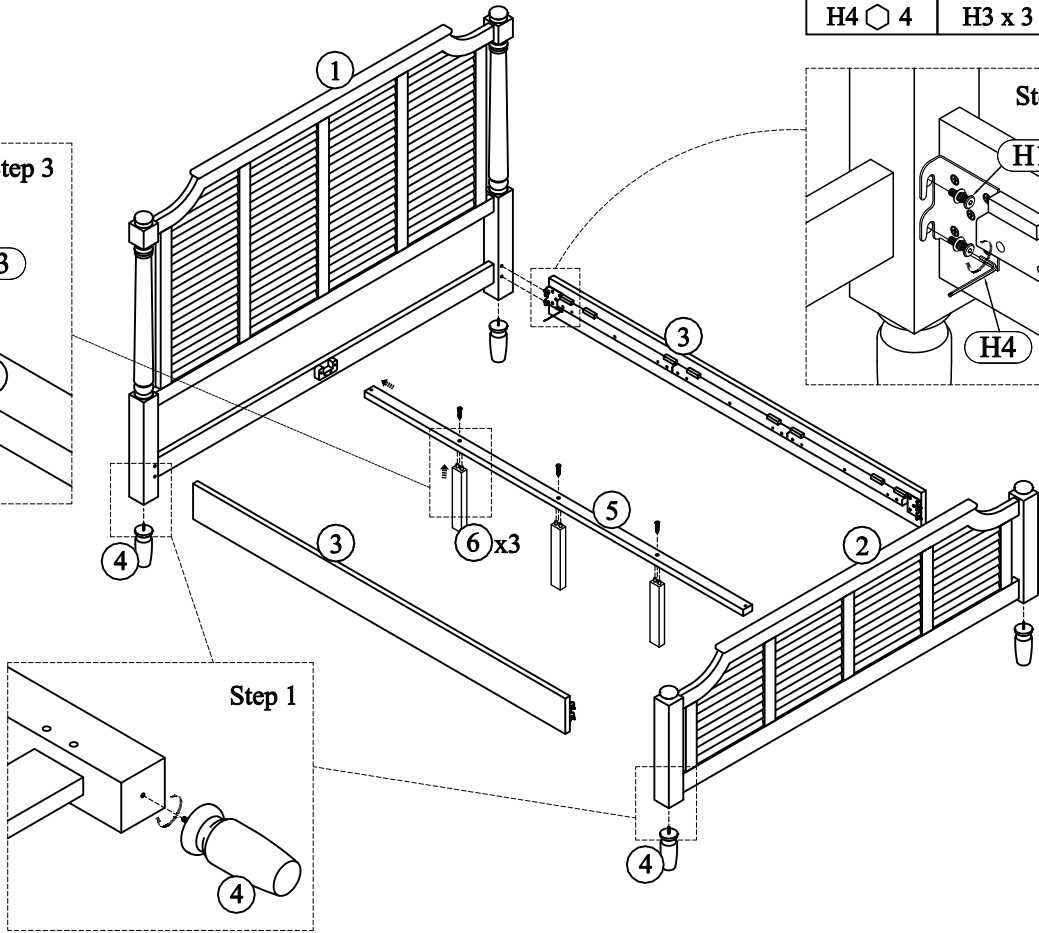
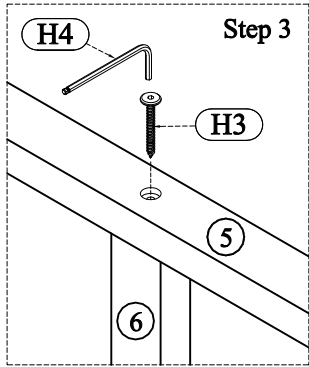


	H 1	8 SETS
	H 2	12 PCS
	H 3	3 PCS
	H 4	1 PC ⬡ 4
	H 5	2 PCS

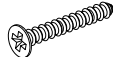
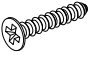


1 →

		
H4  4	H3 x 3	H1 x 8



2 →

	
H5 x 2pcs	H2 x 12pcs

