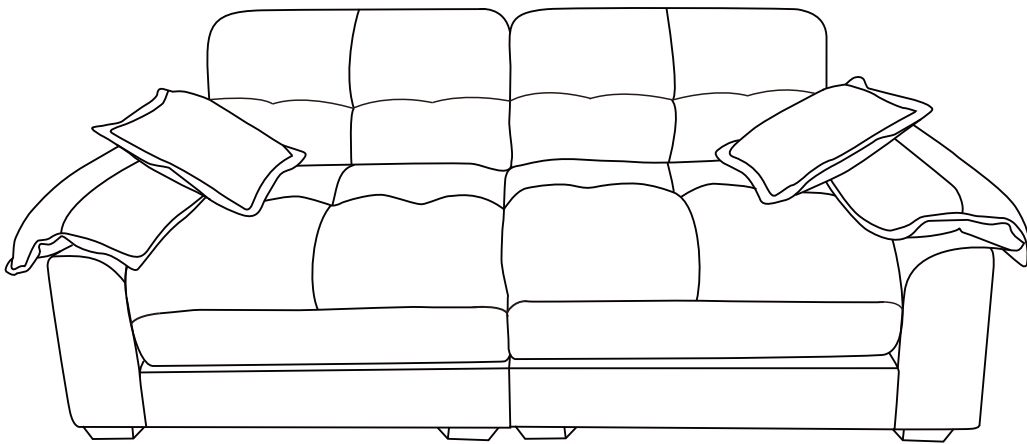
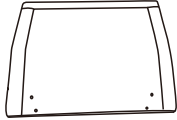
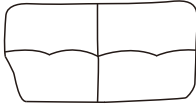
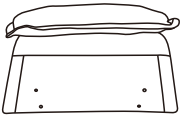
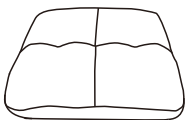
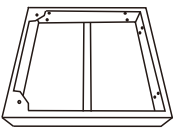
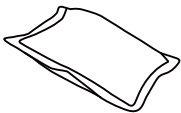
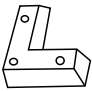
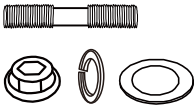
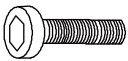
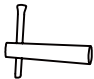
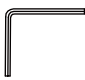
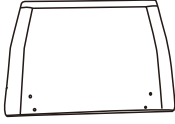
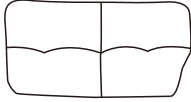
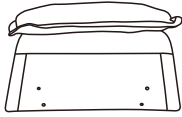
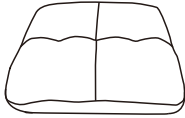
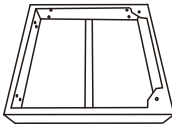
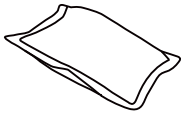


SOFA *ASSEMBLY* *INSTRUCTIONS*

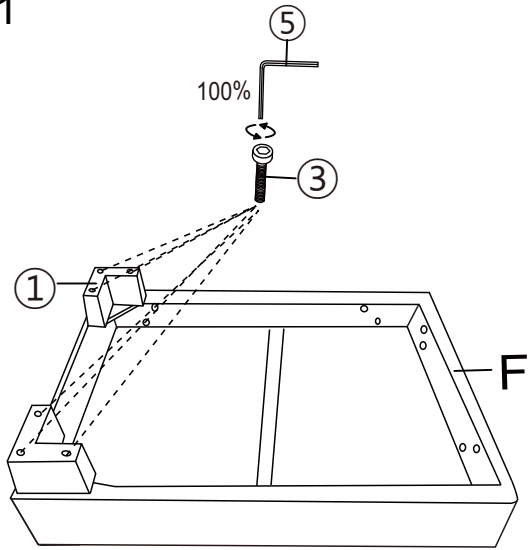


CARTON	ID	PARTS	IDENTIFICATION	QTY
LAF -SEAT	A		Back frame	1PCS
	B		Left back cushion	1PCS
	D		Armrest	1PC
	E		Cushion	1PC
	F		Left seat frame	1PC
	H		Pillow	1PCS
HARD WARE	①		Plastic feet	8PCS
	②		Screw	16PCS
	③		Screw	24PCS
	④		Wrench	1PC
	⑤		Wrench	1PC

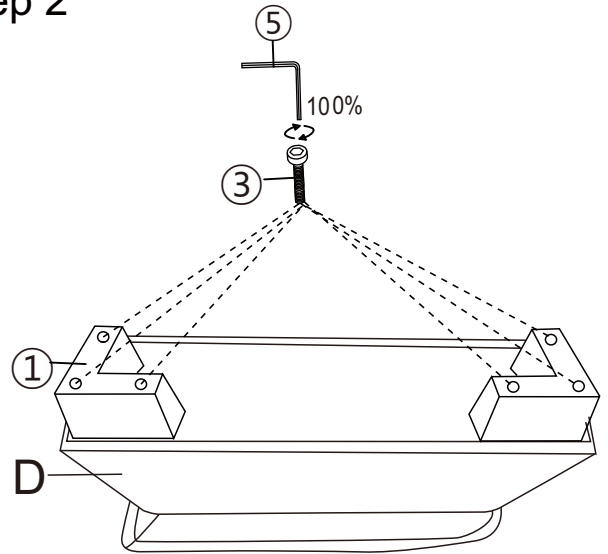
CARTON	ID	PARTS	IDENTIFICATION	QTY
RAF -SEAT	A		Back frame	1PCS
	C		Right back cushion	1PCS
	D		Armrest	1PC
	E		Cushion	1PC
	G		Right seat frame	1PC
	H		Pillow	1PCS

PART 1 LAF-SEAT

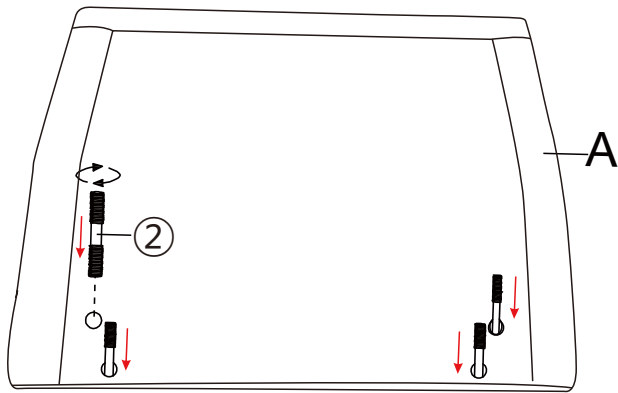
Step 1



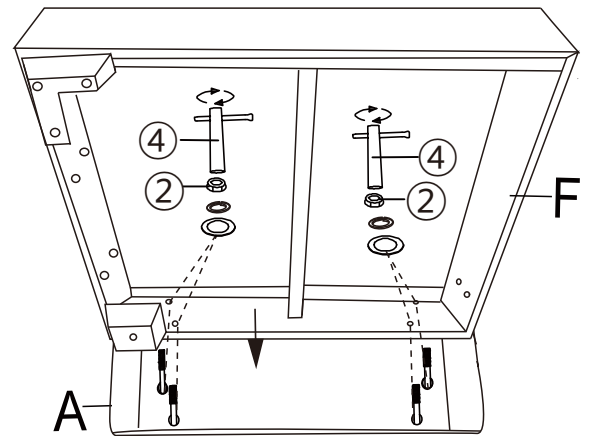
Step 2



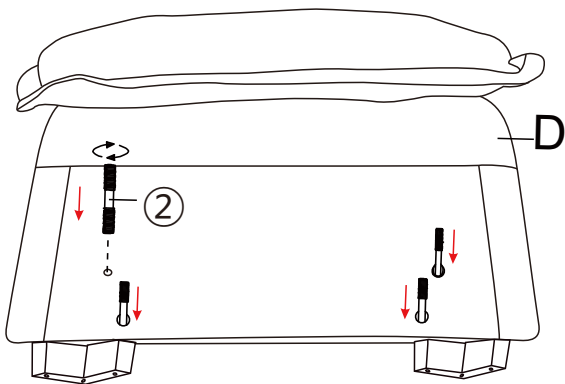
Step 3



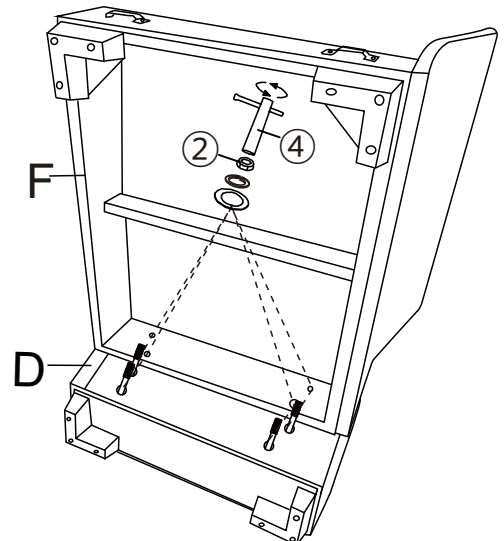
Step 4



Step 5

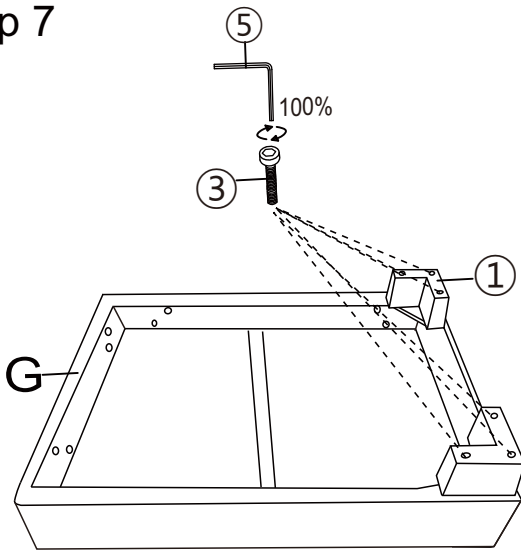


Step 6

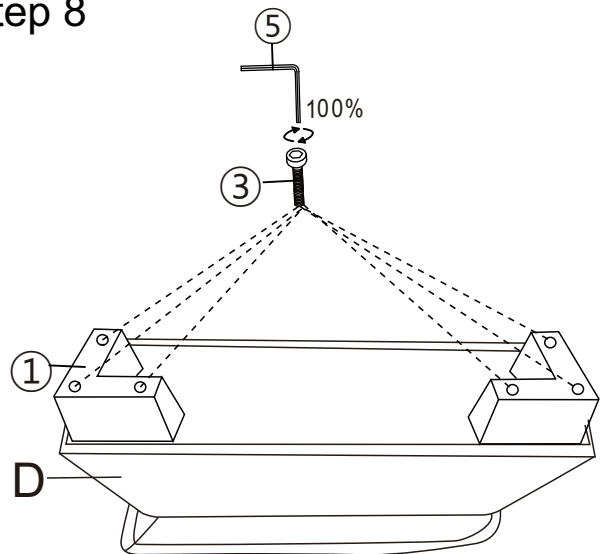


PART 2 RAF-SEAT

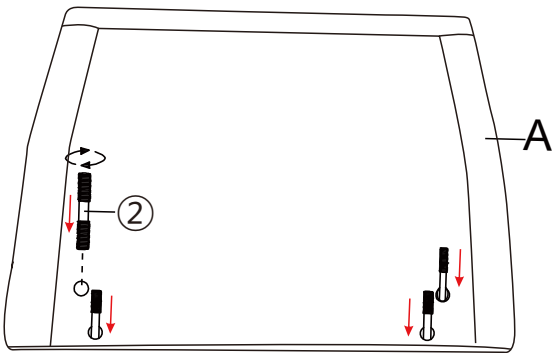
Step 7



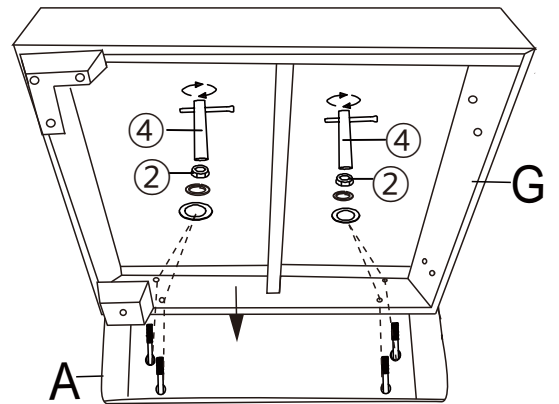
Step 8



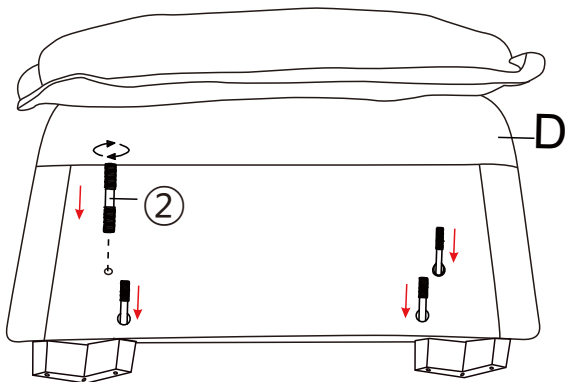
Step 9



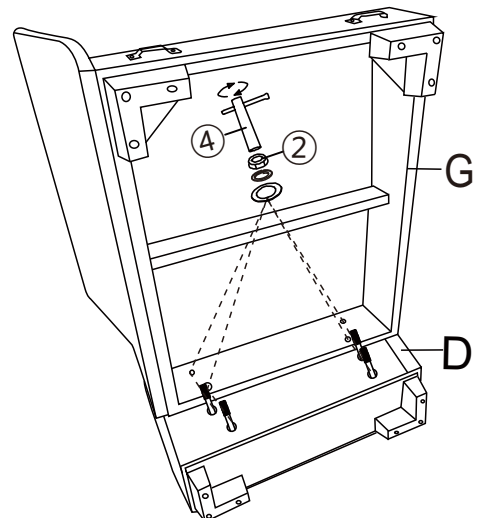
Step 10



Step 11

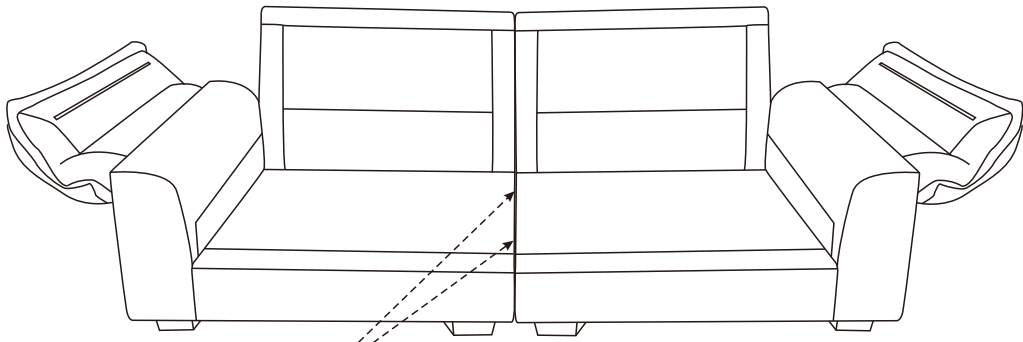


Step 12



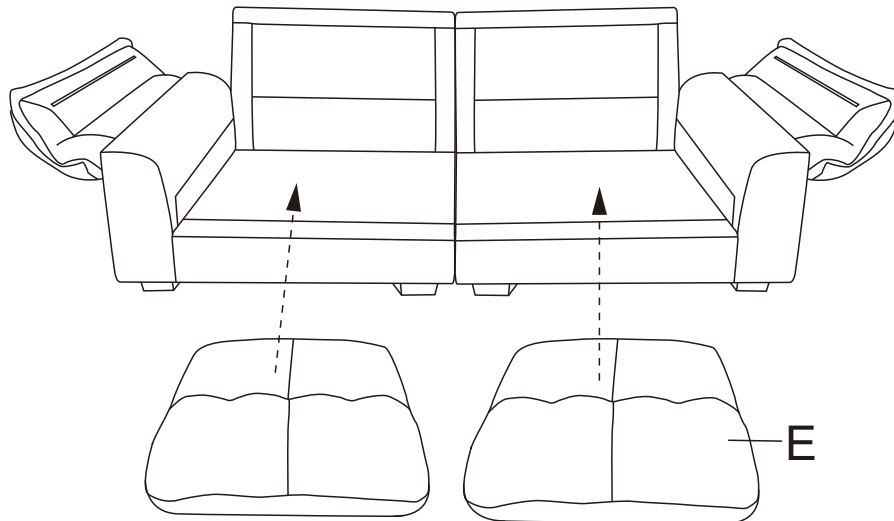
PART 3

Step 13



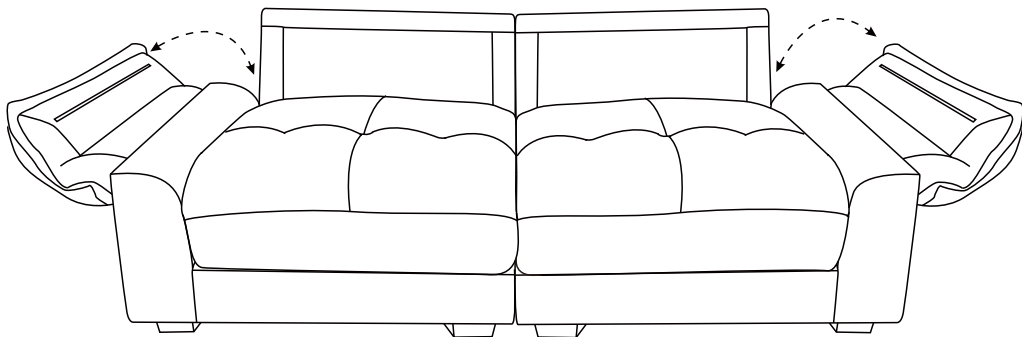
Attention: There are two inserts that can connect two frames

Step 14



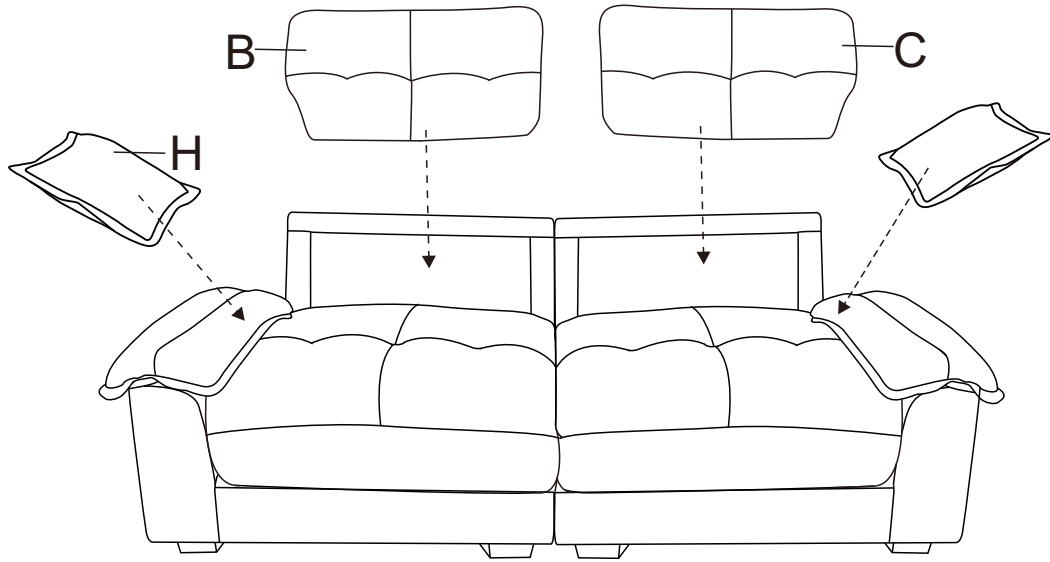
Step 15

Hand bag can be turned left and right

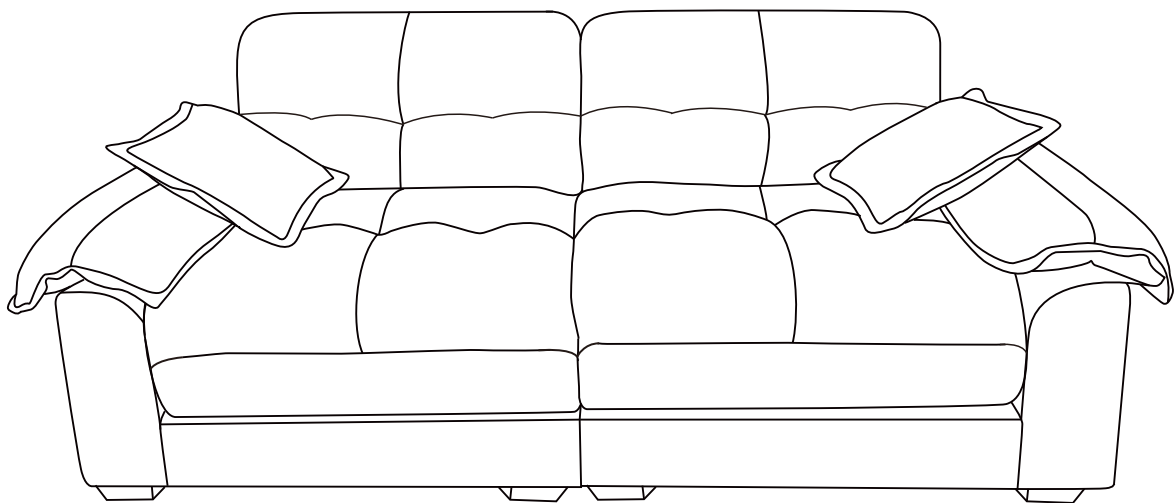


PART 4

Step 16



Step 17



SOFA

ASSEMBLY INSTRUCTIONS

ASSEMBLY TIPS

1. Remove hardware from box and sort by size.
2. Please check to see that all hardware and parts are present prior to start of assembly.
3. Please follow attached instructions in the same sequence as numbered to assure fast & easy assembly.



WARNING!

1. Don't attempt to repair or modify parts that are broken or defective. Please contact the store immediately.
2. This product is for home use only and not intended for commercial establishments.

ASSEMBLY TIME: 15 MINUTES

