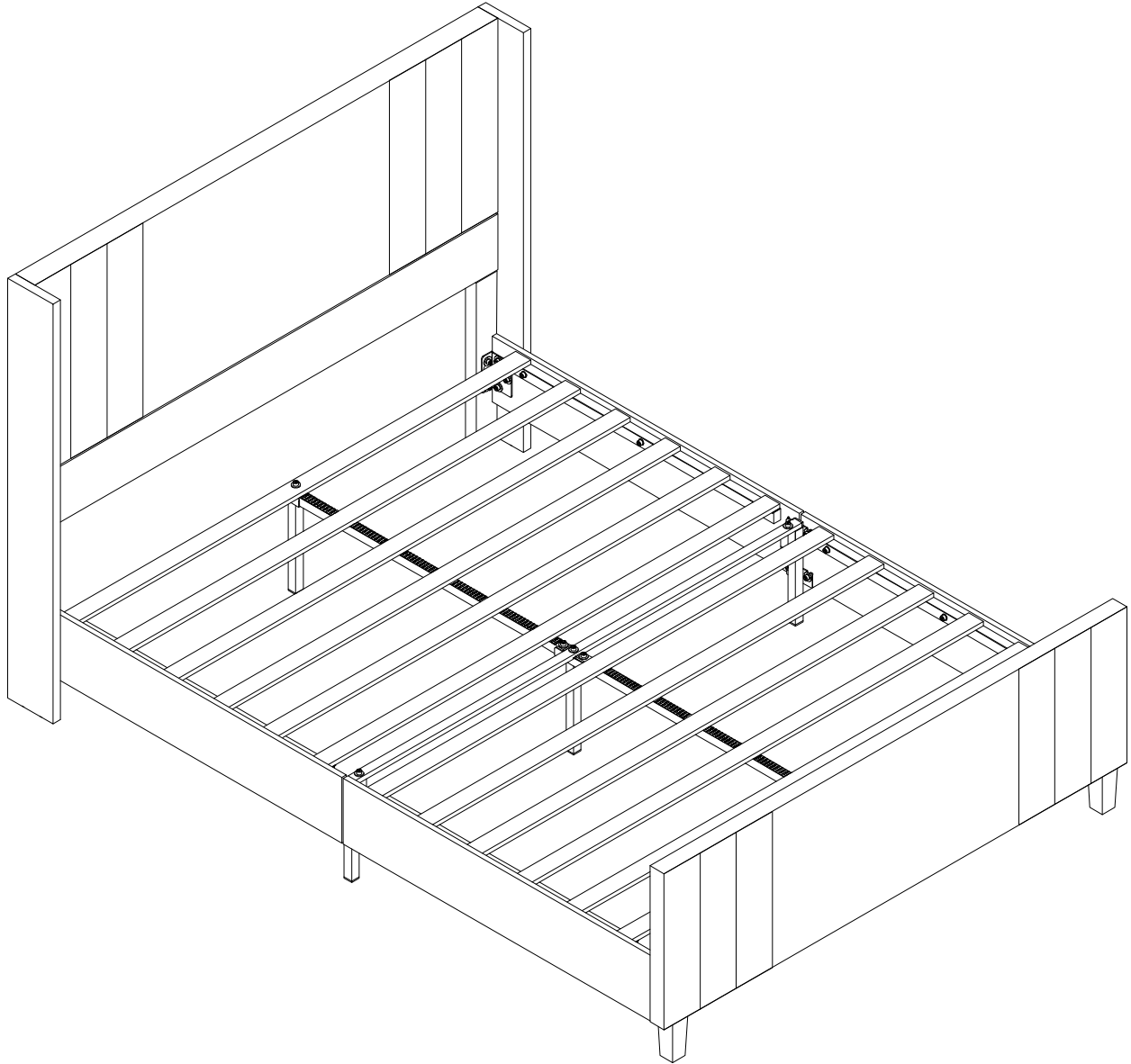
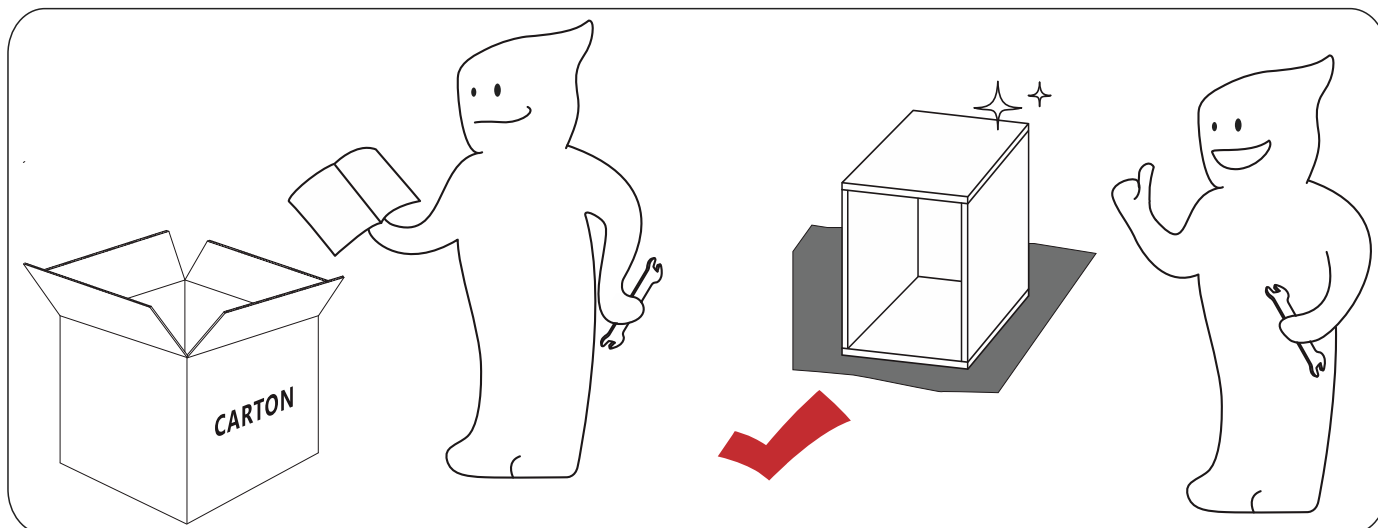
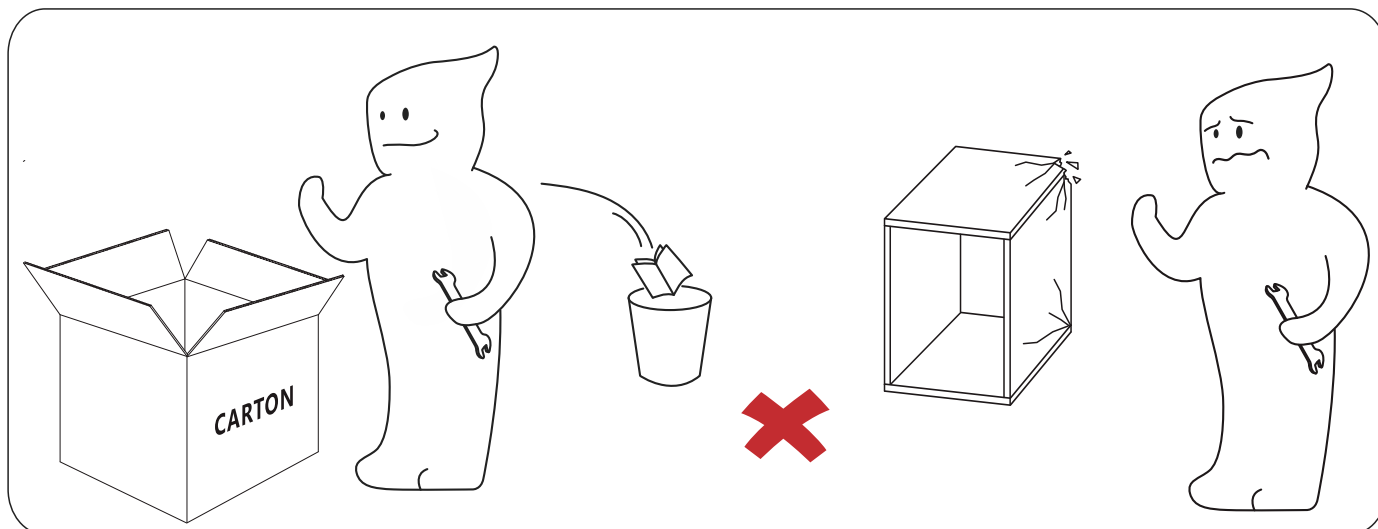


Upholstered Platform Bed with Tufted Wingback Headboard



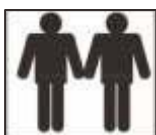
! IMPORTANT

Please follow the instruction manuals and use a pad to protect the product during your assembly.



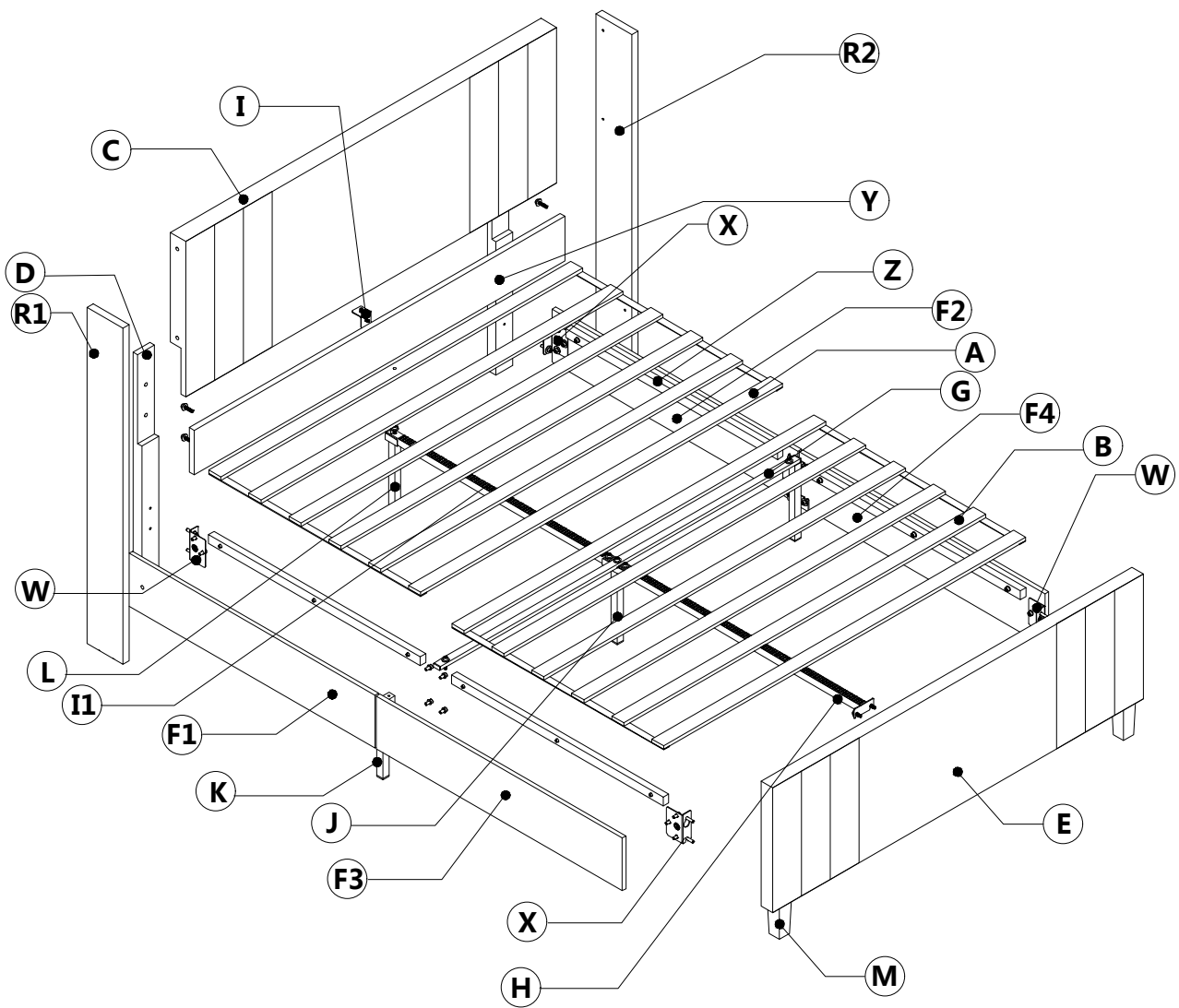
Note:

1. Should be assembled on flat ground to keep balance.
2. Before completing the installation, do not tighten the screws.

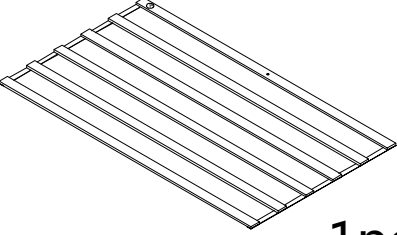
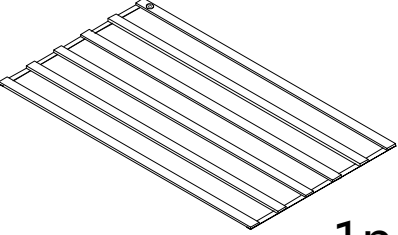
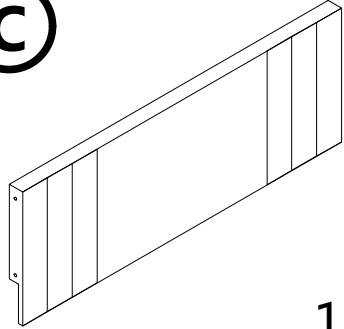
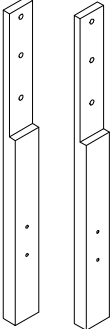
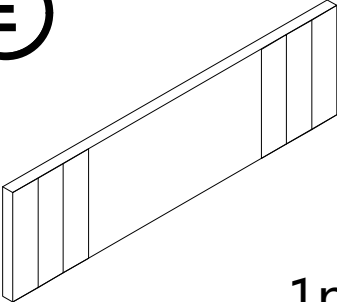
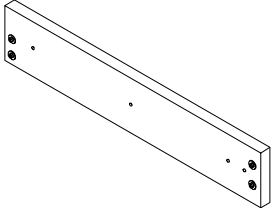
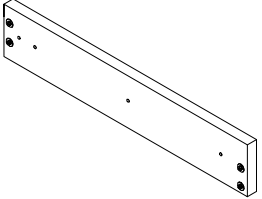
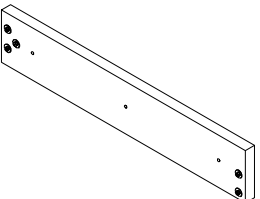
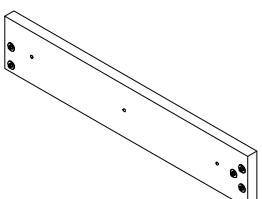
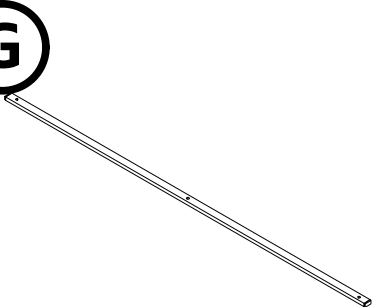
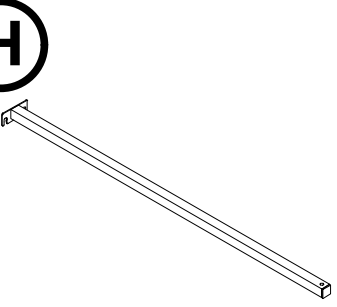
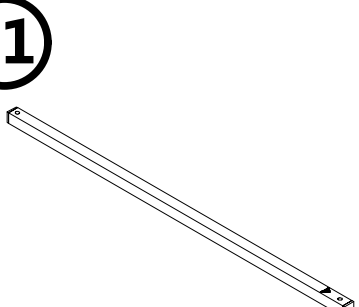
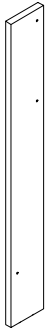
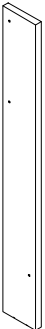
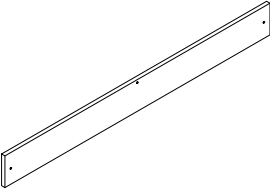
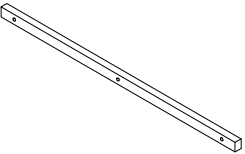


For easier and better assembly, **2** or more adults are required.

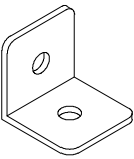
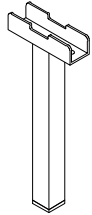
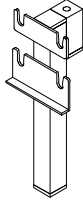
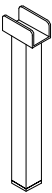
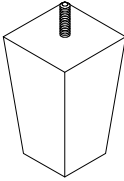
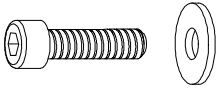
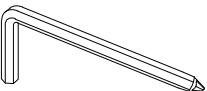
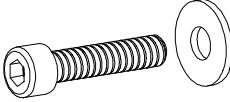
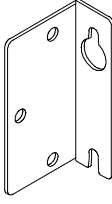
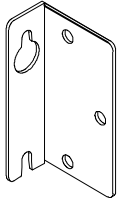
ASSEMBLY INSTRUCTIONS



BED FRAME PARTS LIST

<p>(A)</p>  <p>1pc</p>	<p>(B)</p>  <p>1pc</p>	<p>(C)</p>  <p>1pc</p>	
<p>(D)</p>  <p>2pcs</p>	<p>(E)</p>  <p>1pc</p>	<p>(F1)</p>  <p>1pc</p>	
<p>(F2)</p>  <p>1pc</p>	<p>(F3)</p>  <p>1pc</p>	<p>(F4)</p>  <p>1pc</p>	
<p>(G)</p>  <p>1pc</p>	<p>(H)</p>  <p>1pc</p>	<p>(I1)</p>  <p>1pc</p>	
<p>(R1)</p>  <p>1pc</p>	<p>(R2)</p>  <p>1pc</p>	<p>(Y)</p>  <p>1pc</p>	<p>(Z)</p>  <p>4pcs</p>

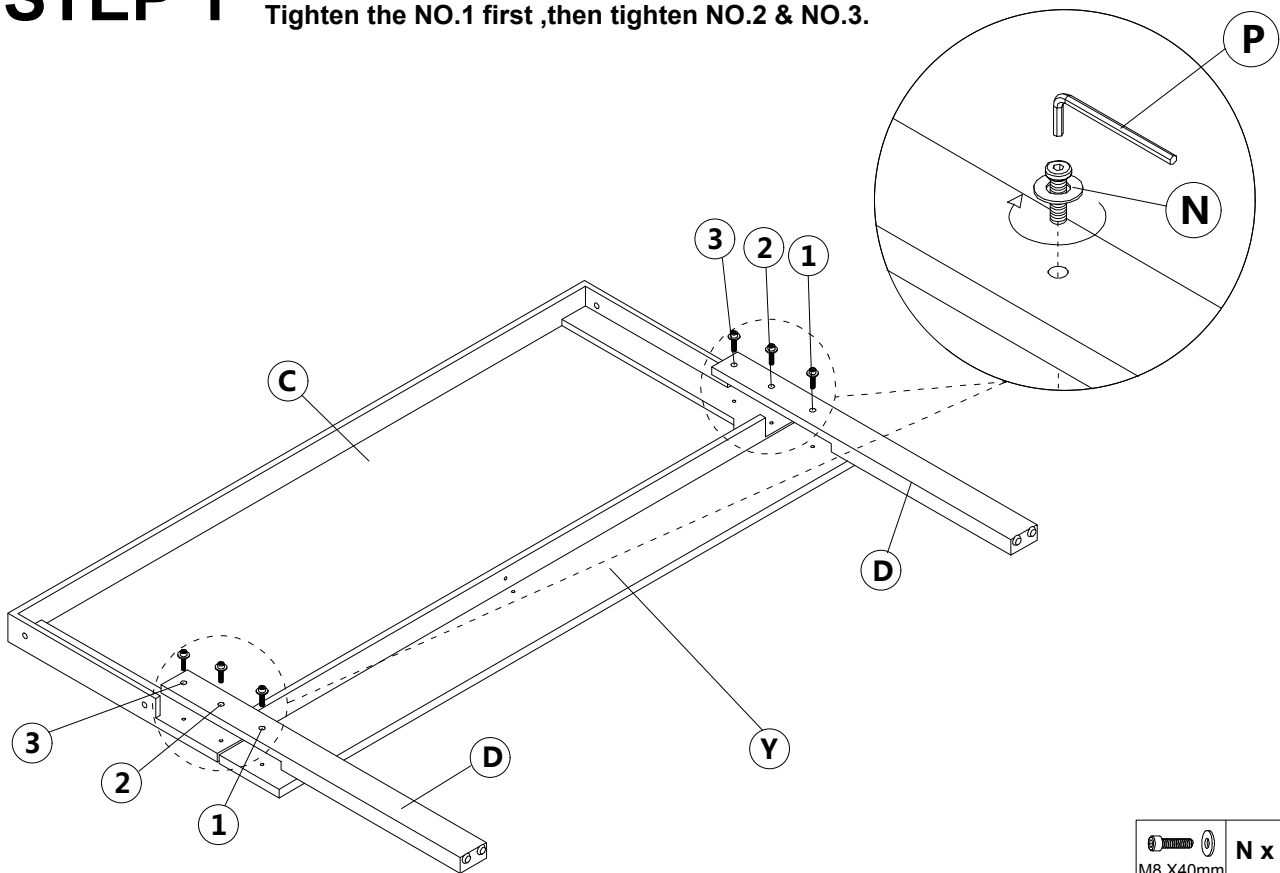
FITTING PARTS LIST

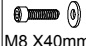

<p>I</p>  <p>1pc</p>	<p>J</p>  <p>1pc</p>	<p>K</p>  <p>2pcs</p>
<p>L</p>  <p>1pc</p>	<p>M</p>  <p>2pcs</p>	<p>N</p>  <p>M8 X40mm 27pcs+1pc</p>
<p>P</p>  <p>M8 Spanner 1pc</p>	<p>Q</p>  <p>M8 X45mm 3pcs</p>	<p>W</p>  <p>2pcs</p>
<p>X</p>  <p>2pcs</p>		

ASSEMBLY INSTRUCTIONS

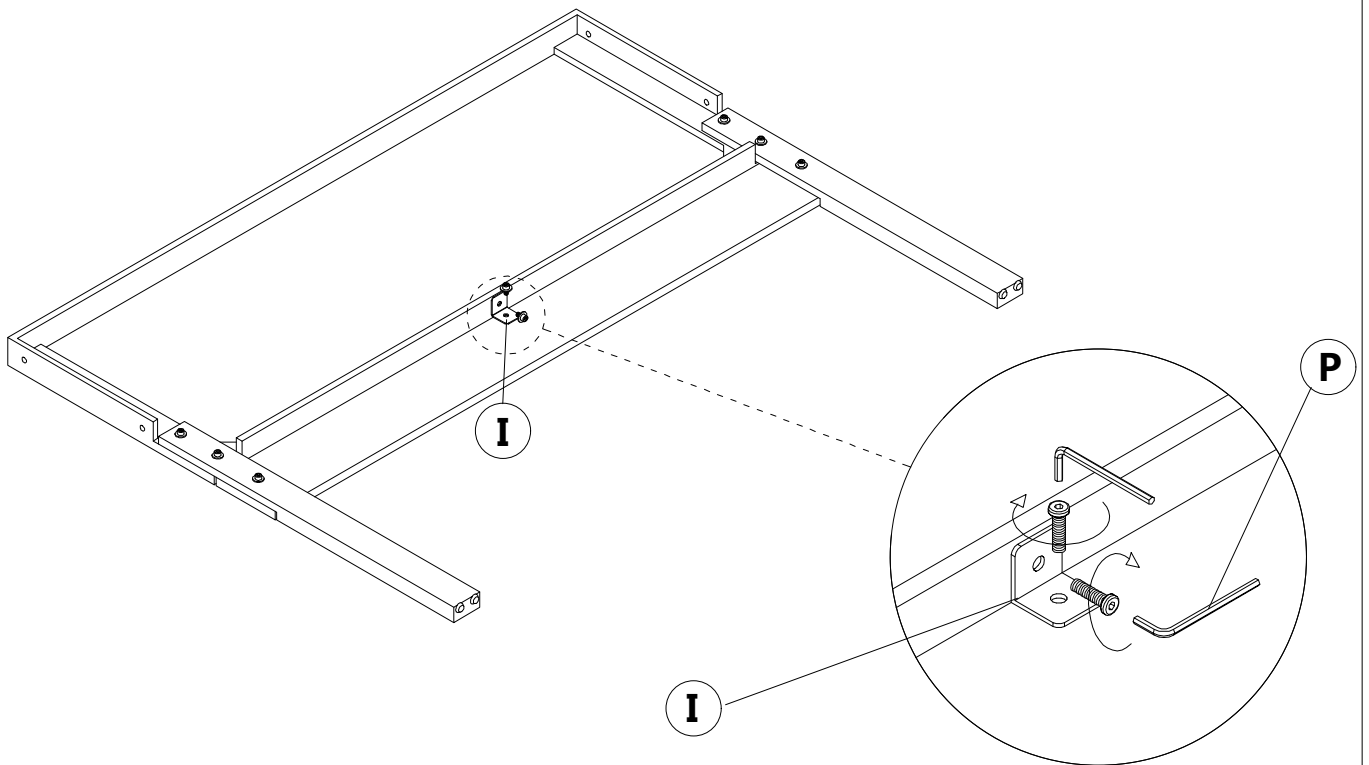
STEP 1



Tighten the NO.1 first ,then tighten NO.2 & NO.3.



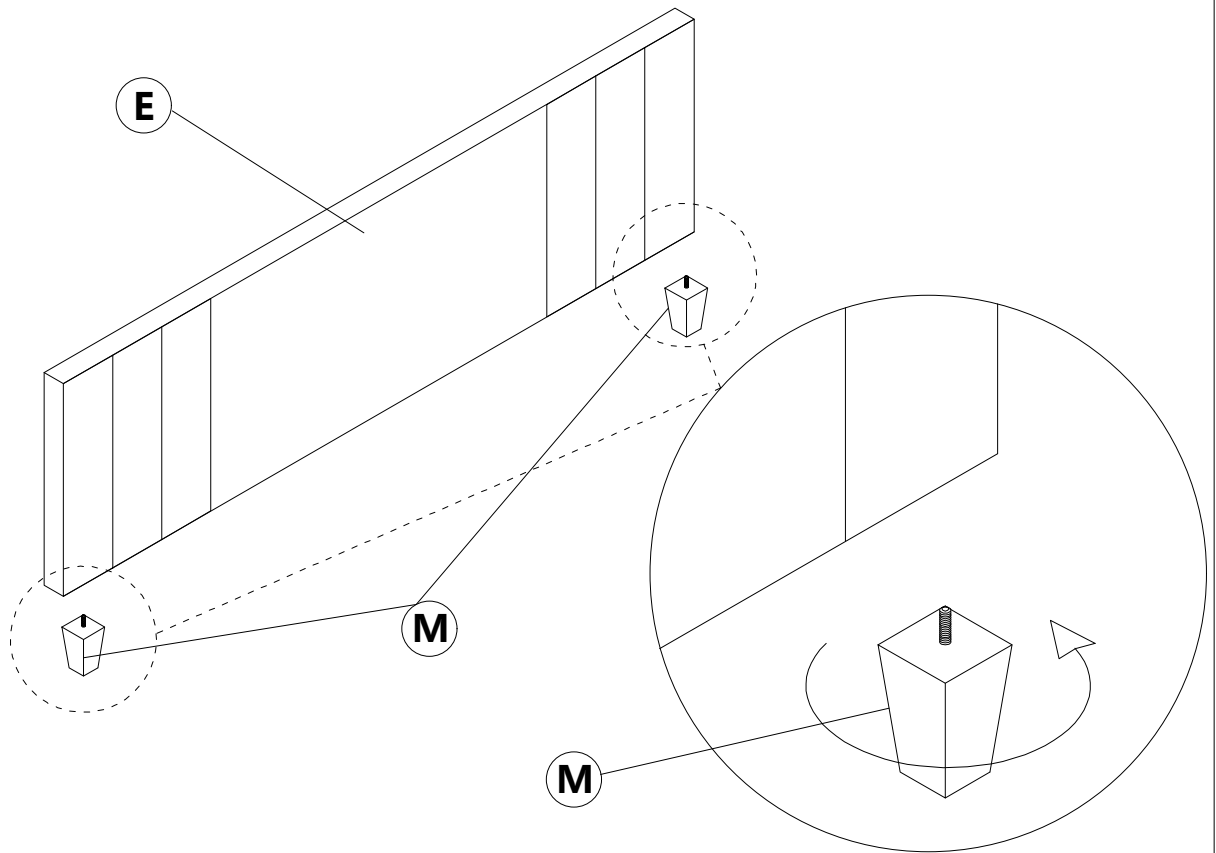
	N x 6pcs
M8 X40mm	
	P x 1pc

STEP 2



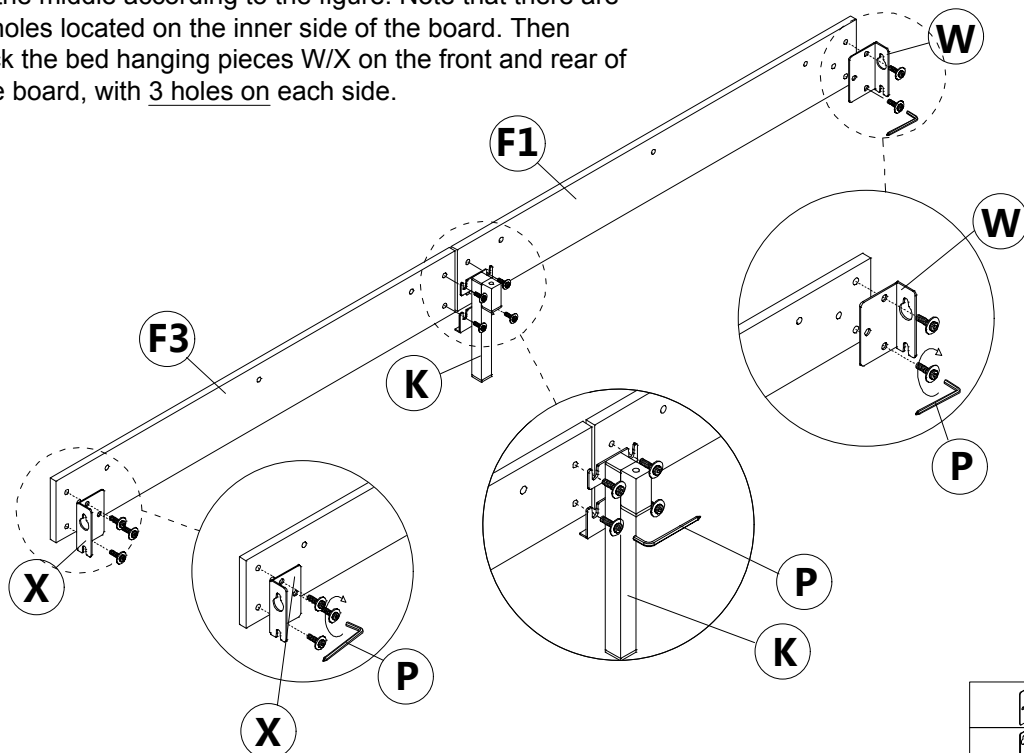
	I x 1pc
	P x 1pc




STEP 3



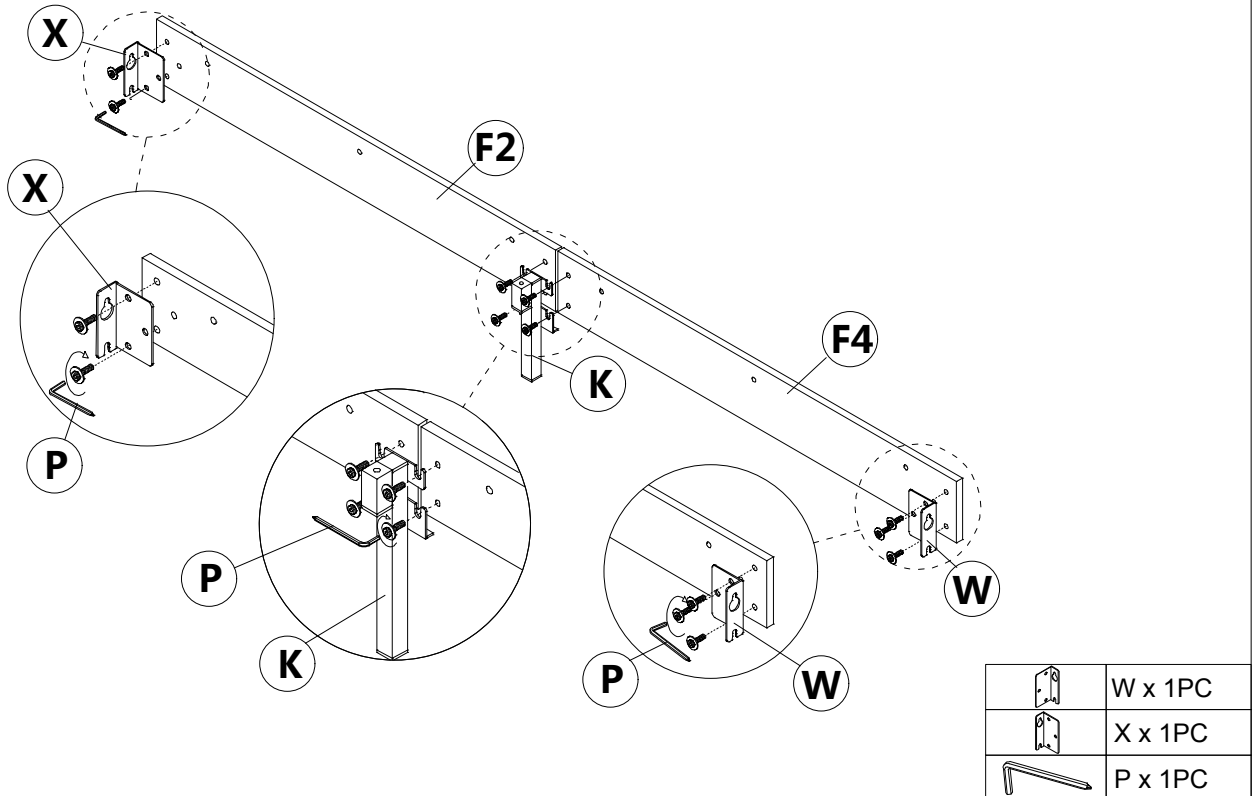
STEP 4

Take out parts F1 and F3, and lock the iron frame foot K in the middle according to the figure. Note that there are 2 holes located on the inner side of the board. Then lock the bed hanging pieces W/X on the front and rear of the board, with 3 holes on each side.

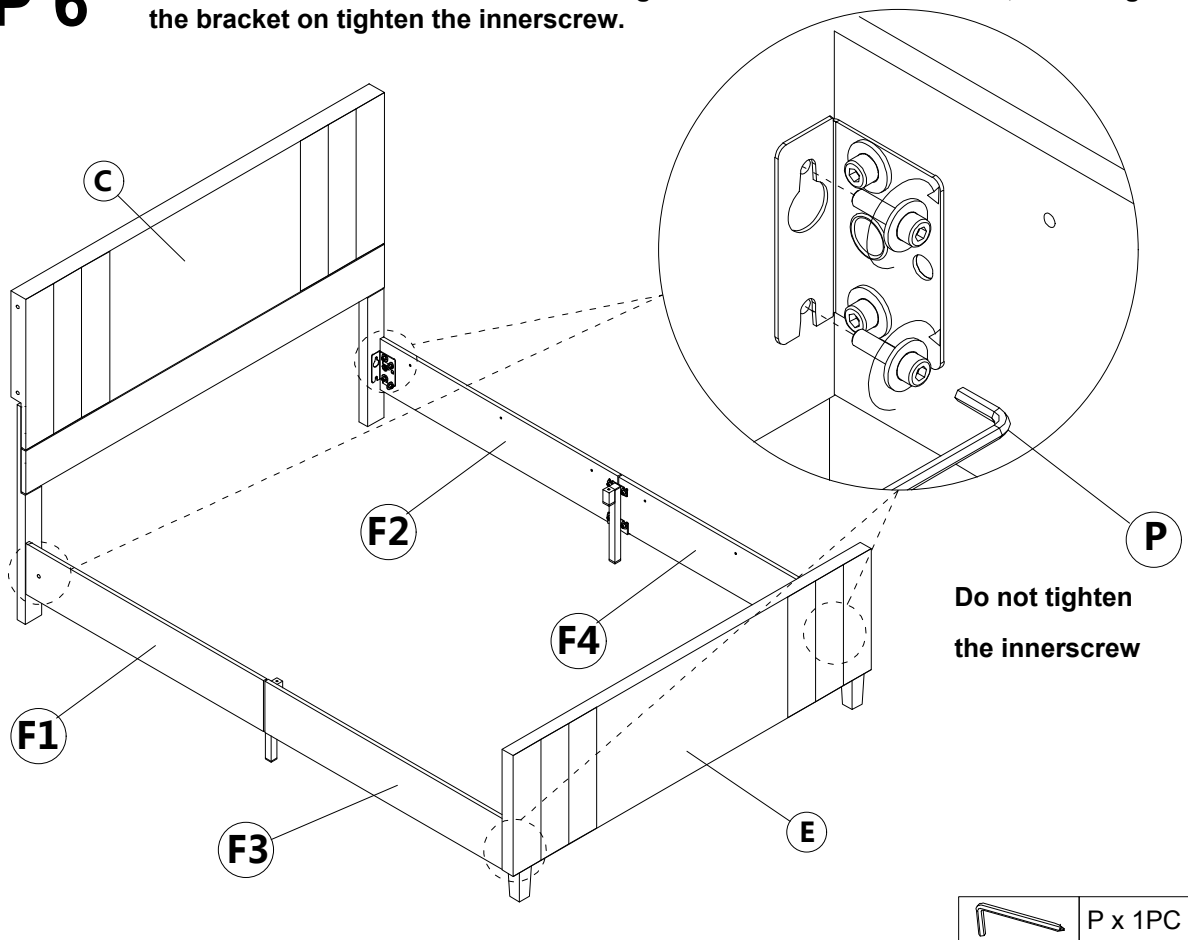


	W x 1PC
	X x 1PC
	P x 1PC

STEP 5 Same as Step 4

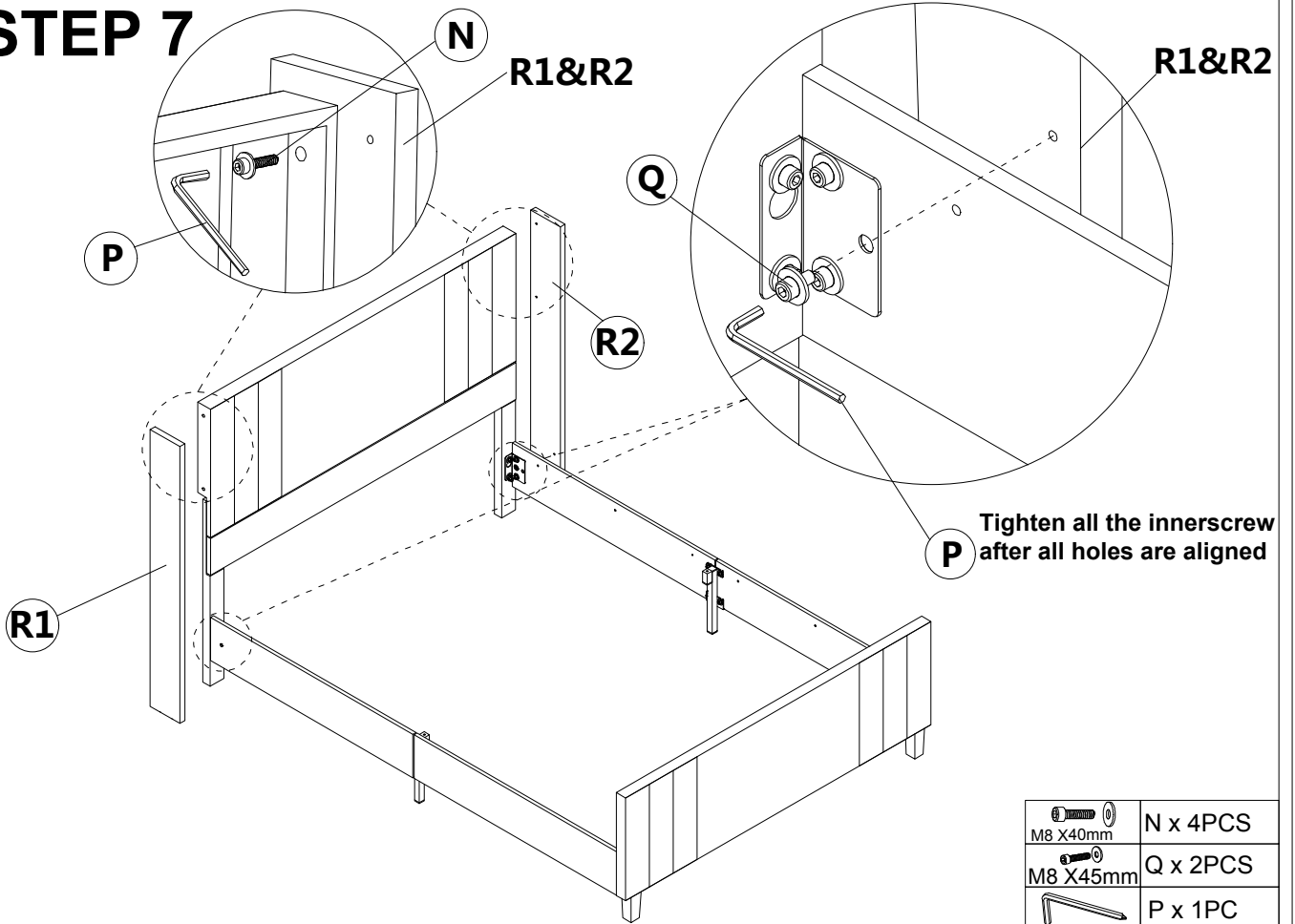



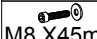

STEP 6 Loosen the screw of headboard side leg and both sides of footboard, then hang the bracket on tighten the innerscrew.



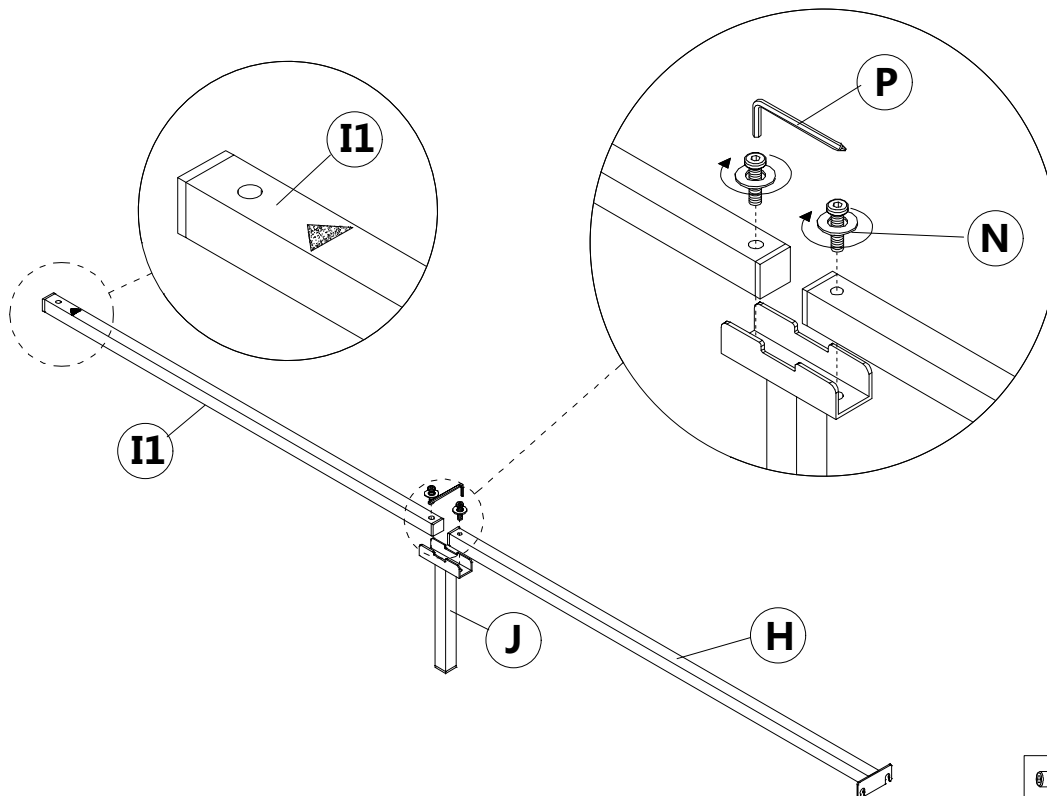
ASSEMBLY INSTRUCTIONS

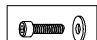
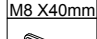
STEP 7



 M8 X40mm	N x 4PCS
 M8 X45mm	Q x 2PCS
	P x 1PC

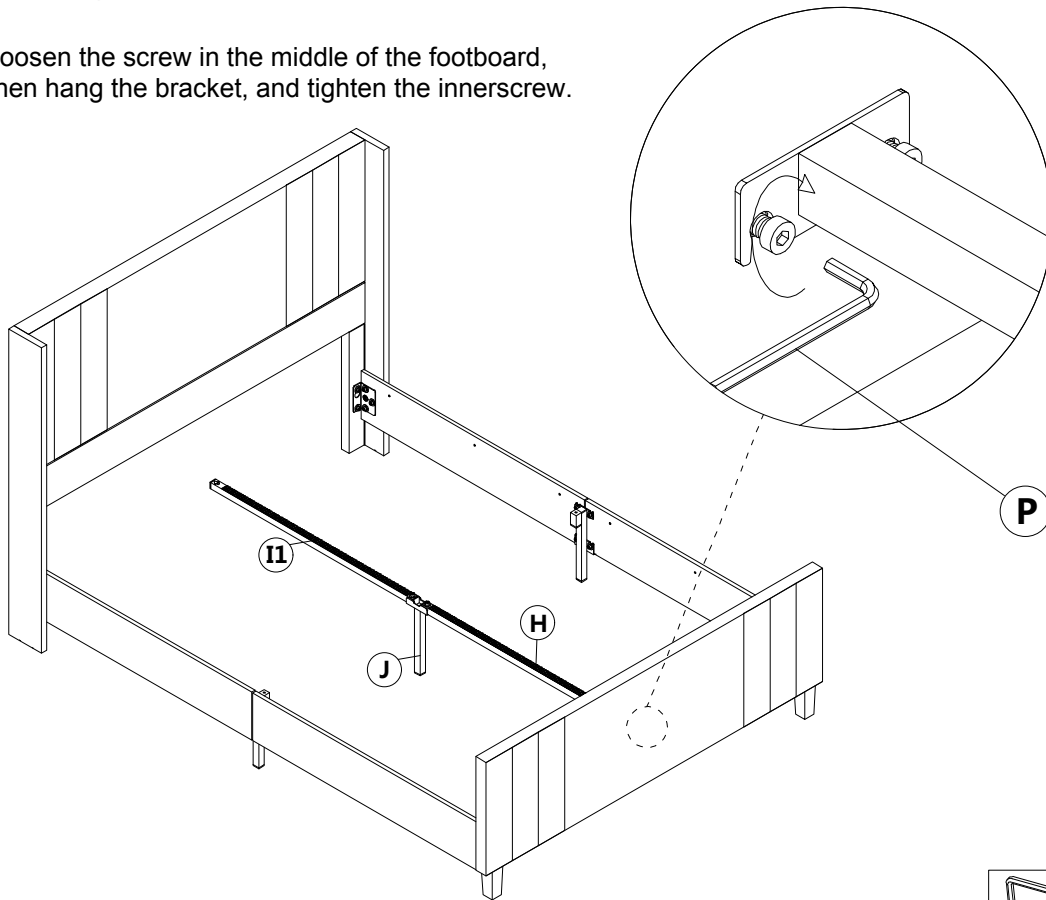
STEP 8



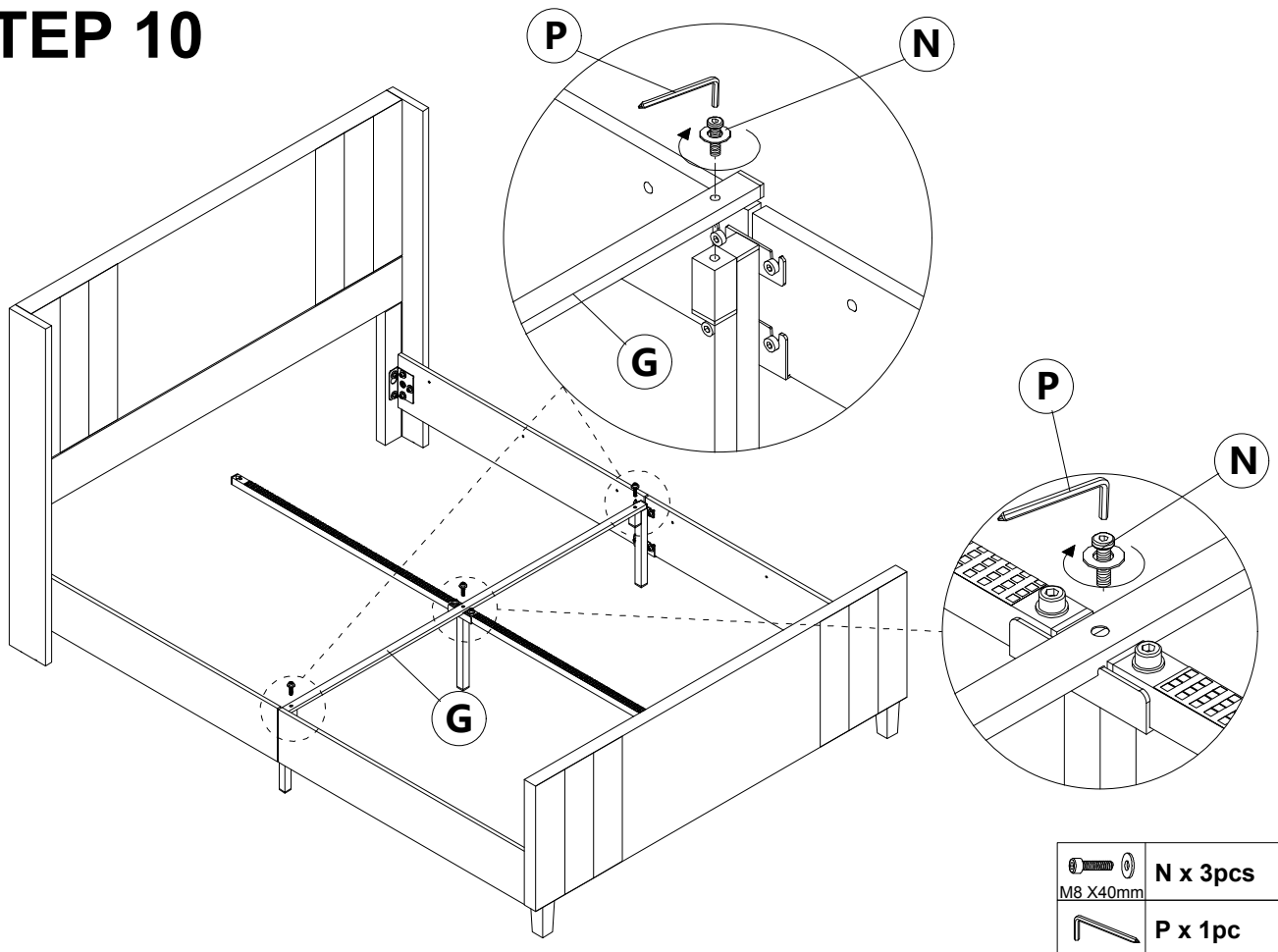
 M8 X40mm	N x 2pcs
	P x 1pc

STEP 9

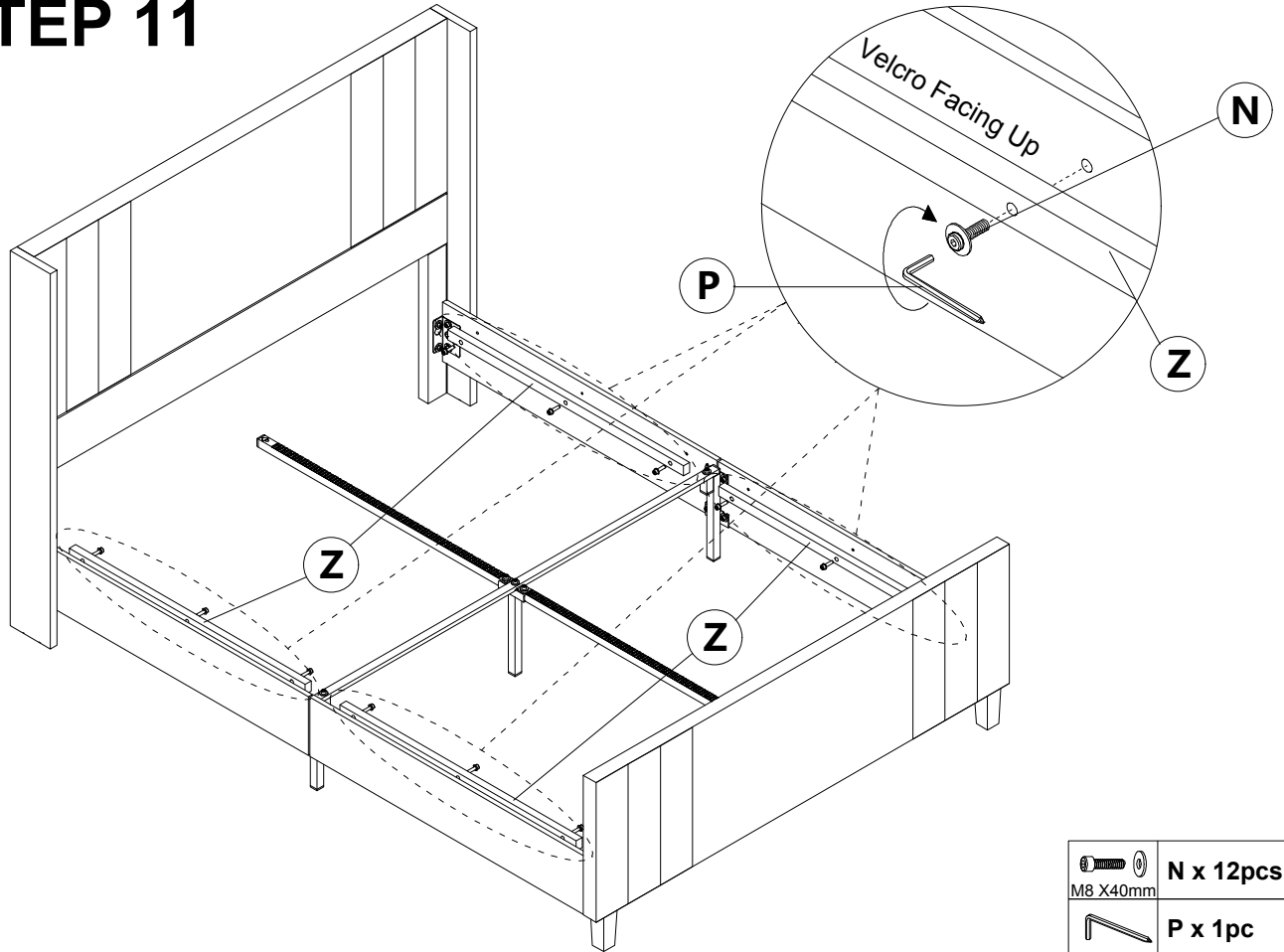
Loosen the screw in the middle of the footboard, then hang the bracket, and tighten the innerscrew.



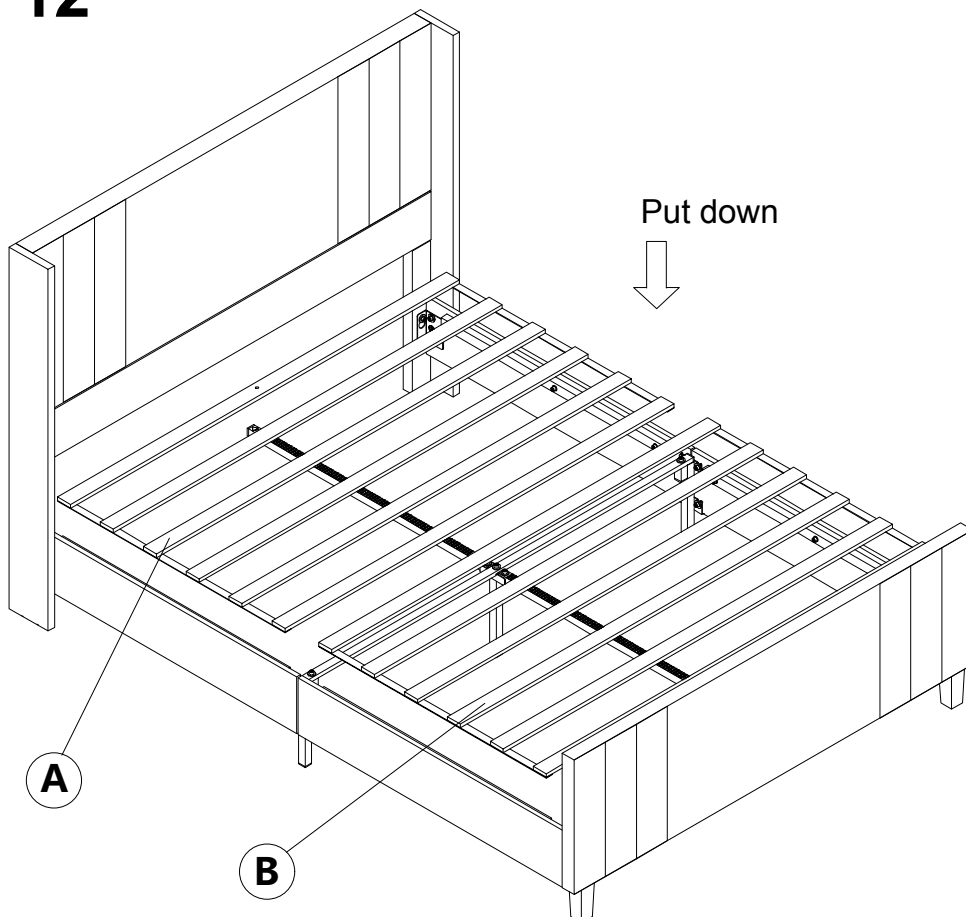
STEP 10



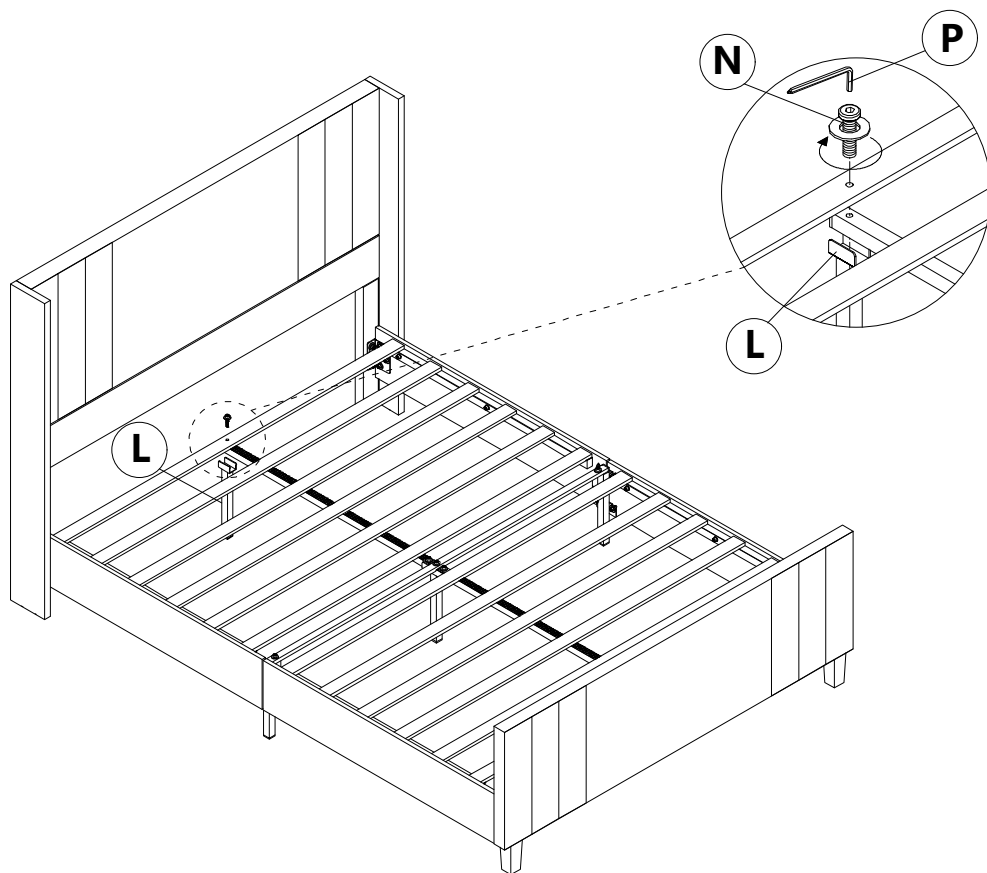
STEP 11





STEP 12

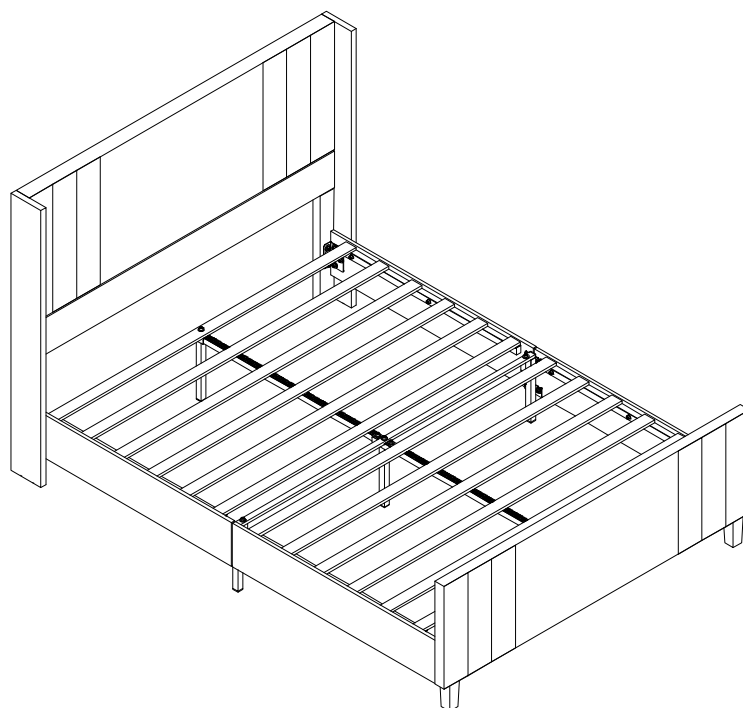


STEP 13

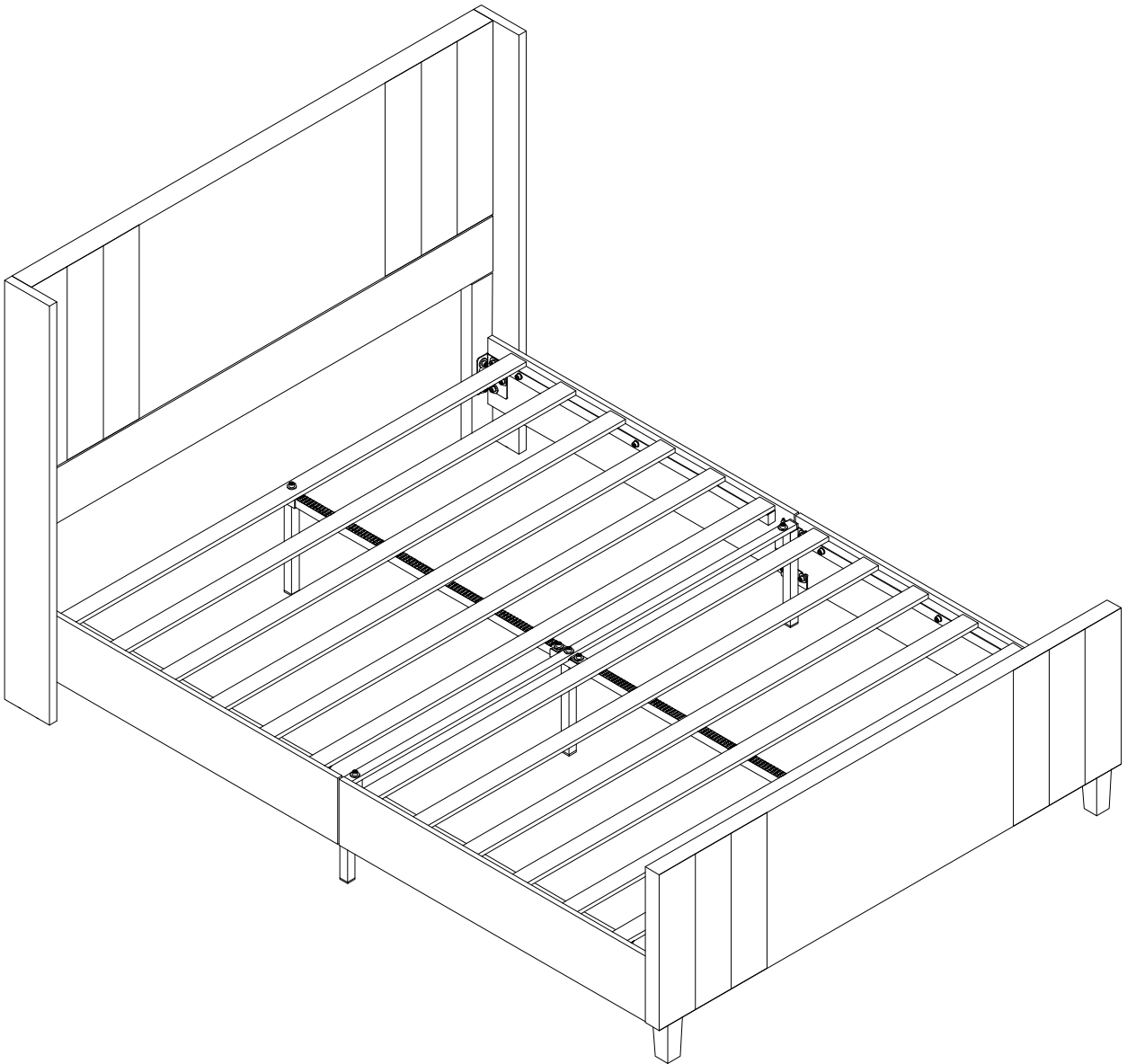


 M8 X45mm	Q x 1pc
	P x 1pc

STEP 14



STEP 15



Installation Complete