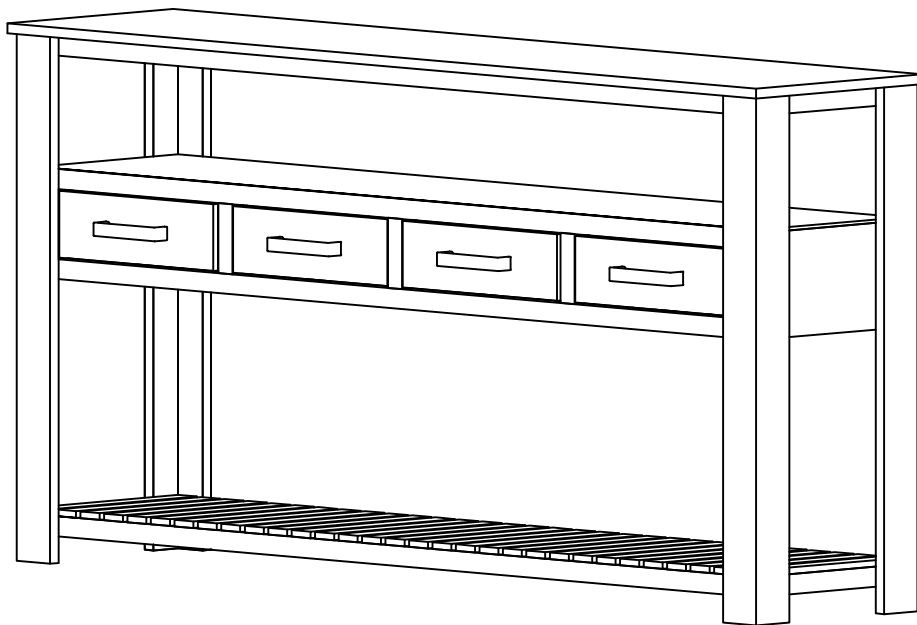


# Assembly Instruction




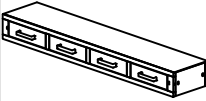


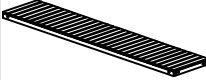







Thank you for purchasing this quality product. Be sure to check all packing materials carefully for small parts, which may have come loose inside the carton during shipment. Identify and count all items and compare with the PARTS LIST and/or HARDWARE LIST shown below.

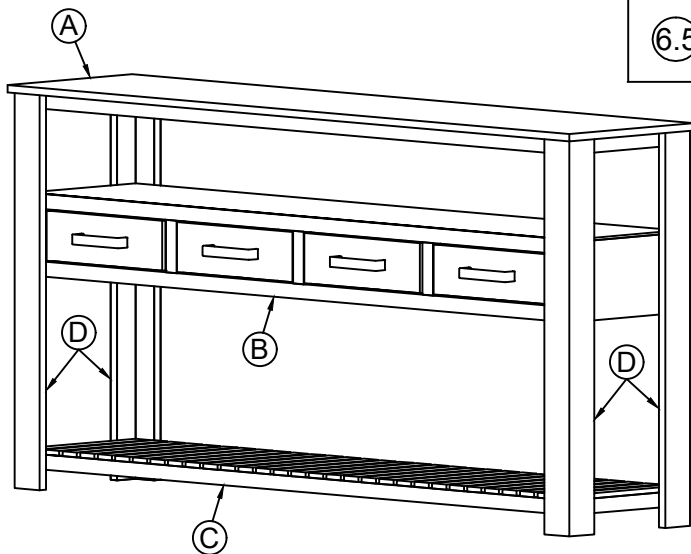
Caution: Please read the instructions thoroughly before assembly.

1. We recommend that you assemble this product with the assistance of another person; this will make the assembly easier, and will help eliminate damage to the product or injury to persons during assembly.
2. Please do not over tighten screws or bolts until the assembly is completed.
3. Please put all parts on a non-abrasive floor before assembly, and follow the assembly steps to assemble your newly purchased product correctly and efficiently.



# Assembly Instruction

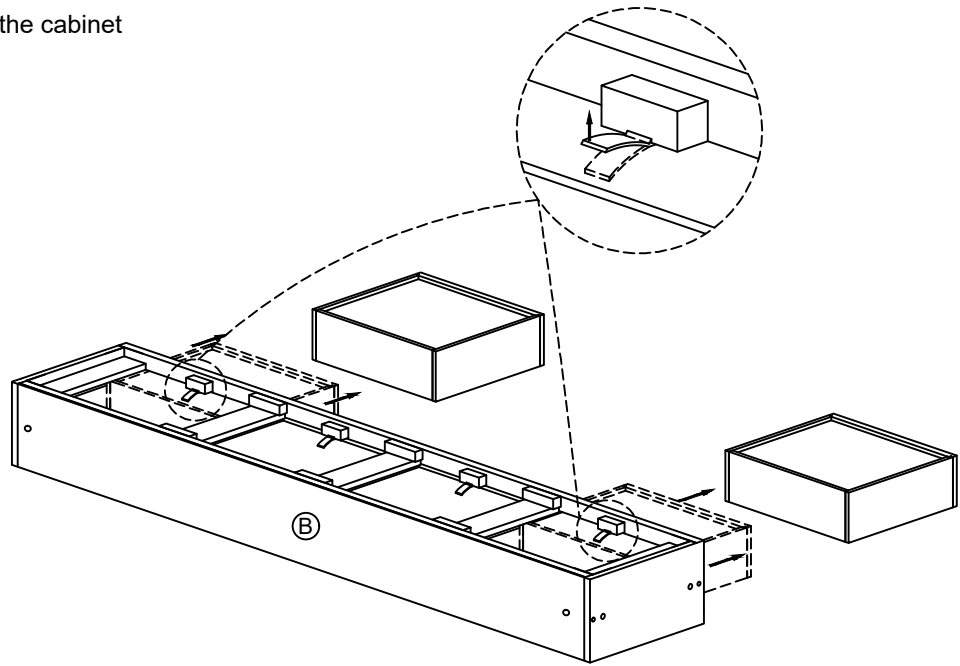
PART LISTS				HARDWARE LISTS			
NO	DESCRIPTION	SKETCH	Q.TY	NO	DESCRIPTION	SKETCH	Q.TY
Ⓐ	Table Top		1 Pc	①	Bolt 1/4" x 30mm		20 Pcs
				②	Spring Washer 1/4"		20 Pcs
Ⓑ	Middle Shelf		1 Pc	③	Flat Washer 1/4"		20 Pcs
				④	Wooden dowel 8 x 20mm		8 Pcs
Ⓒ	Bottom Shelf		1 Pc	⑤	Allen Key L=60		1 Pc
Ⓓ	Legs		4 Pcs	⑥ Anti Tip Kit			2 sets
				⑥.1	Plastic Anchor		2 Pcs
				⑥.2	Metal Bracket		4 Pcs
				⑥.3	Long screw M4 x 40 mm		2 Pcs
				⑥.4	Short screw M4 x 20 mm		2 Pcs
⑥.5	Steel wire		2 Pcs				



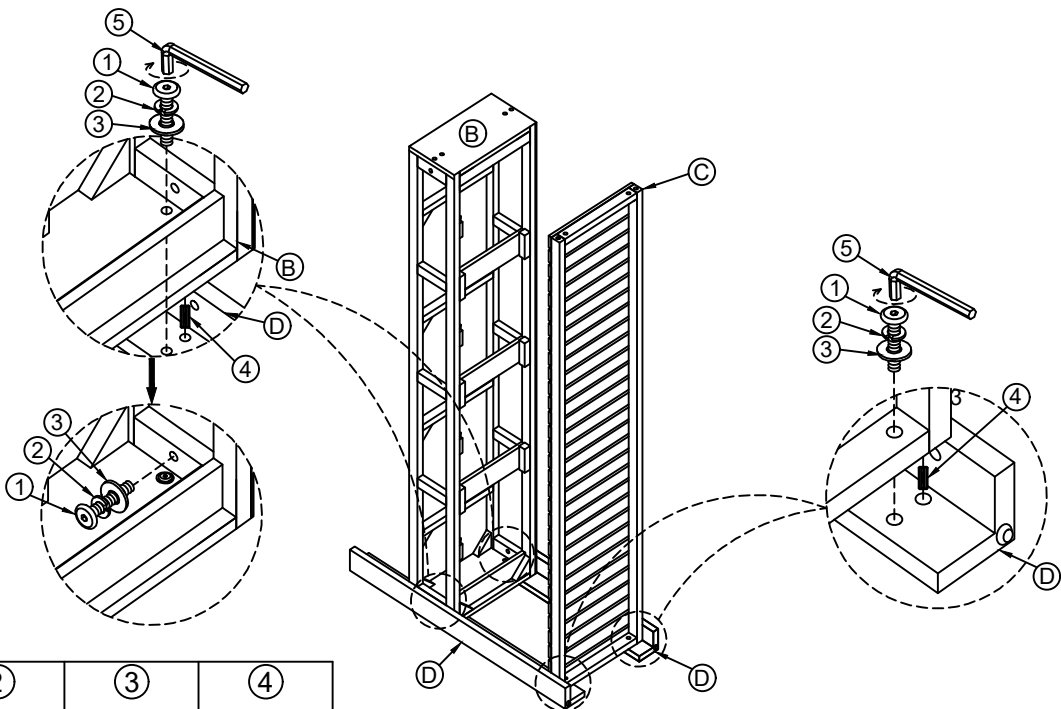
# Assembly Instruction

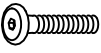



## STEP 1:

Remove the drawer from the cabinet



## STEP 2:



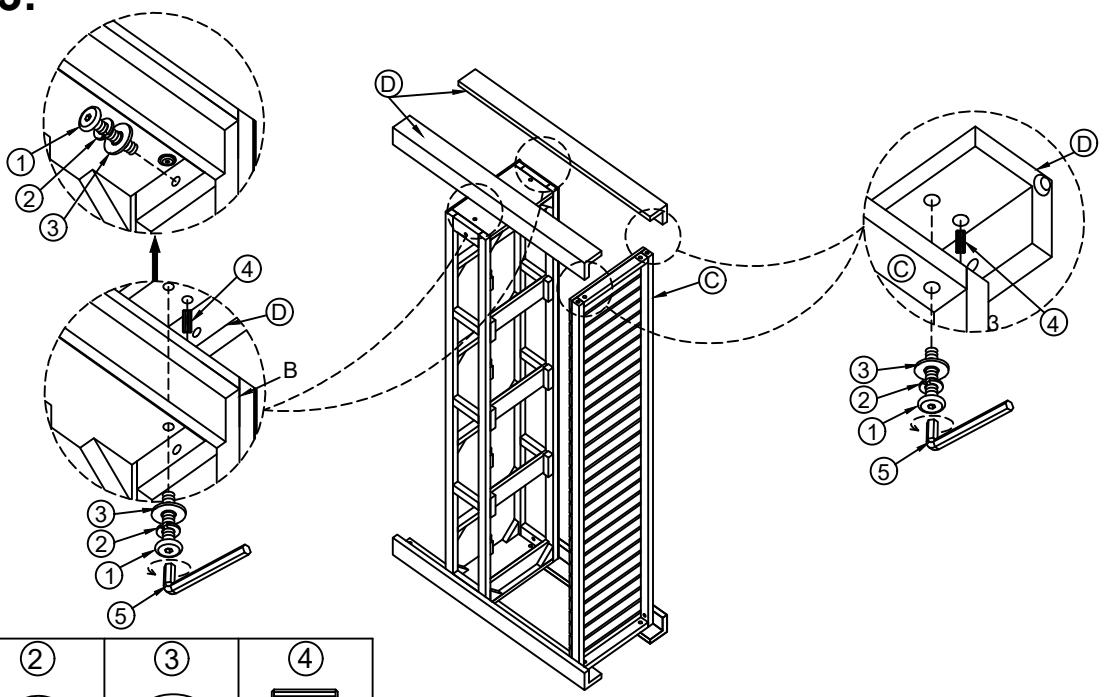
①	②	③	④
			
6pcs	6pcs	6pcs	4pcs

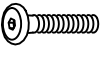



MADE IN VIETNAM

PAGE: 3 OF 6

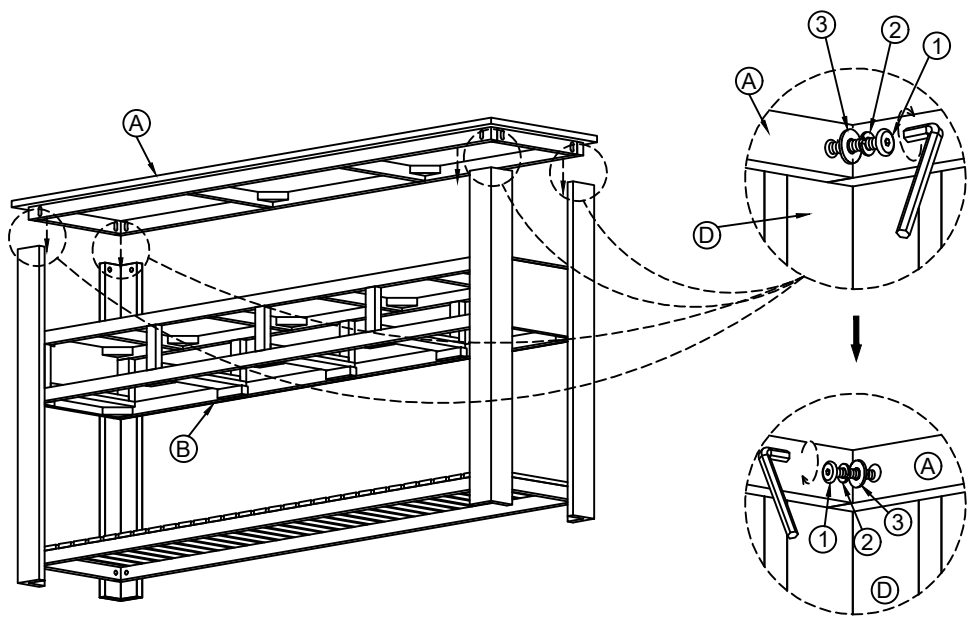
# Assembly Instruction

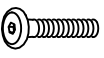


## STEP 3:



①	②	③	④
			
6pcs	6pcs	6pcs	4pcs

## STEP 4:

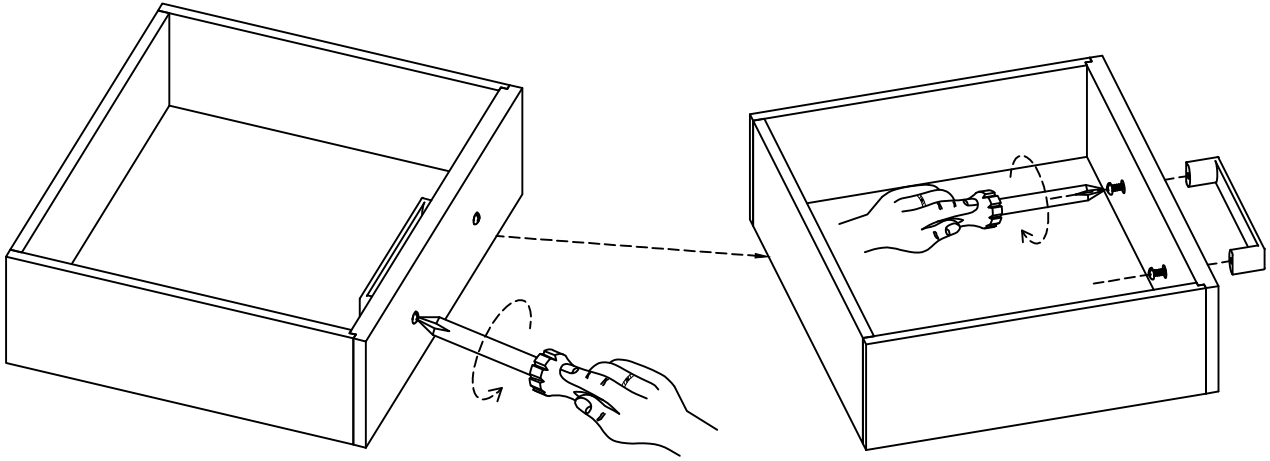


①	②	③
		
8pcs	8pcs	8pcs

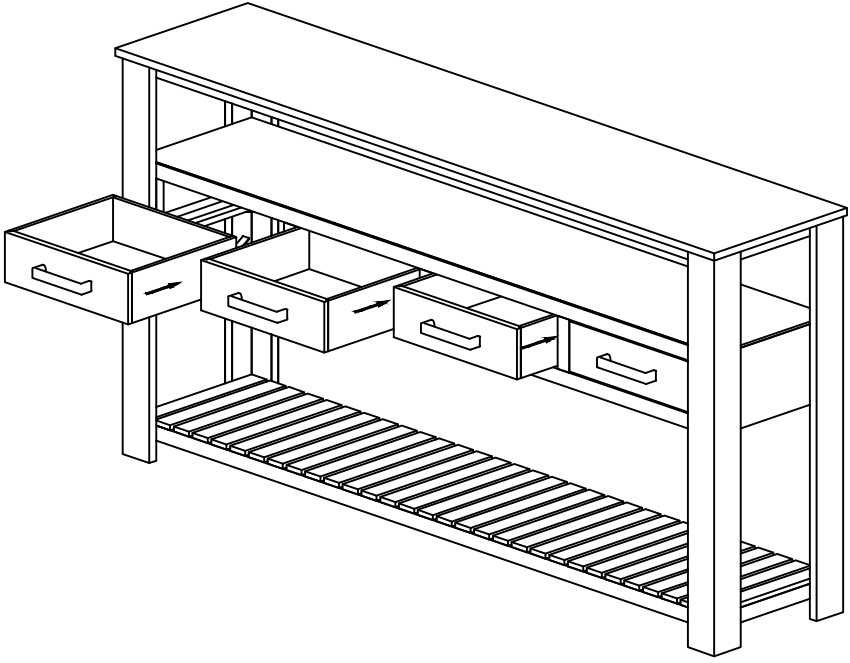
# Assembly Instruction

## STEP 5:

x 4

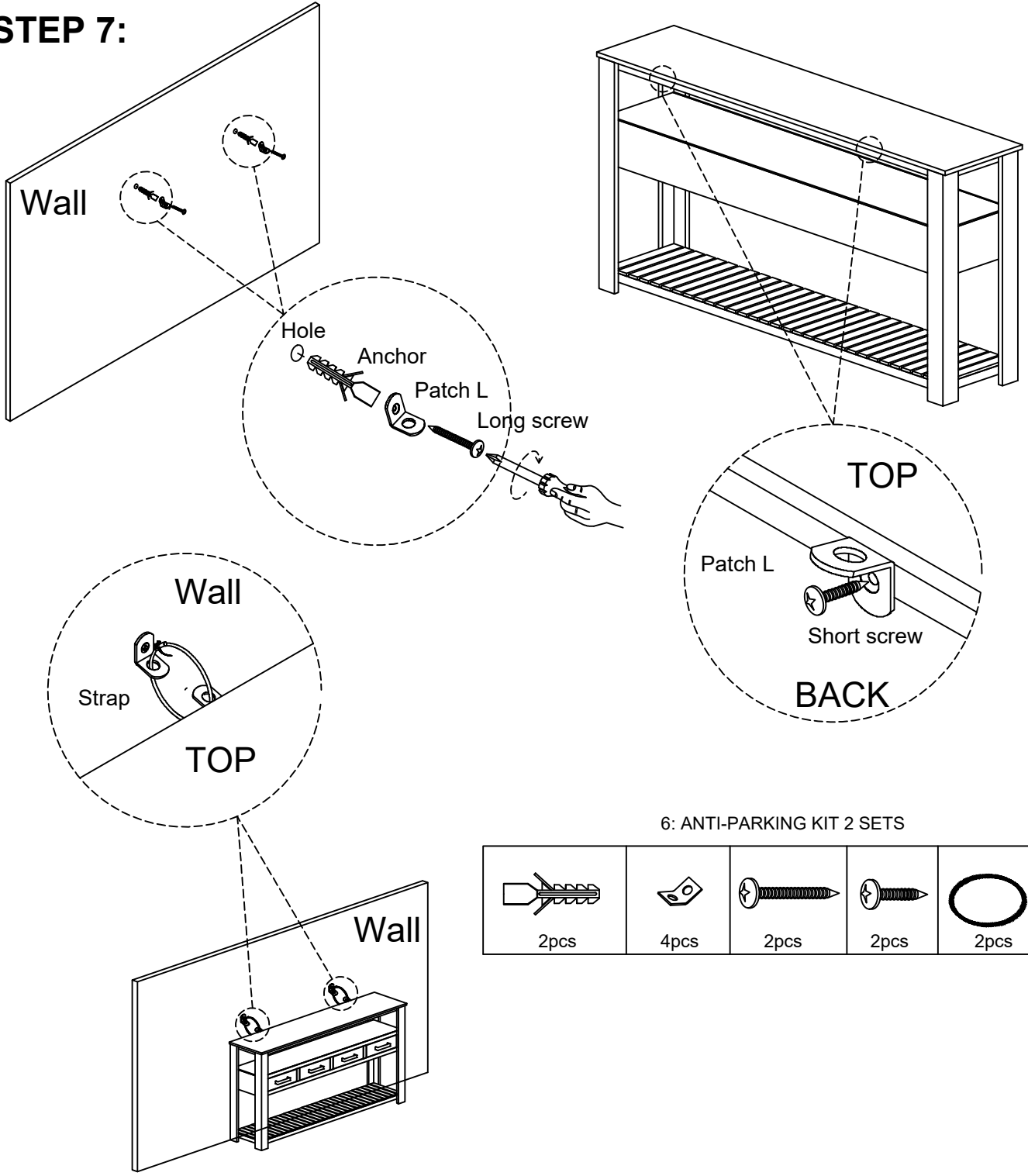


## STEP 6:








# Assembly Instruction

## STEP 7:



6: ANTI-PARKING KIT 2 SETS

				
2pcs	4pcs	2pcs	2pcs	2pcs