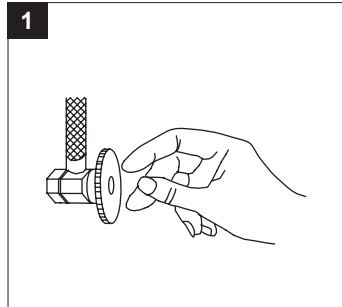


INSTALLATION INSTRUCTIONS

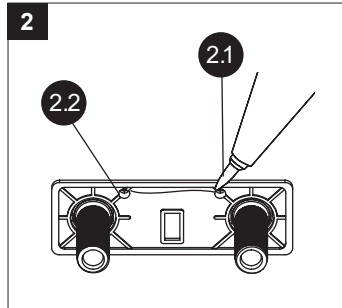
TO INSTALL SINGLE HANDLE BATH FAUCETS

1. Turn off water at the supply valve under the sink or at the main water supply, disconnect the supply line, and remove old faucet.

Clean and dry surface area where new faucet will be mounted.

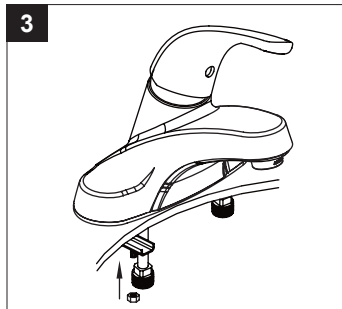


2. Apply clear silicone latex caulk (2.1) (not included) to the base plate (2.2) on the bottom of the faucet.



3. Position the faucet on the sink surface.

Hand tighten the washer and nuts to the faucet tailpieces on the underside of the sink.



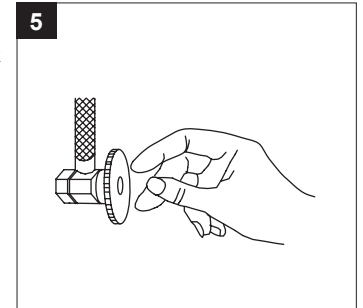
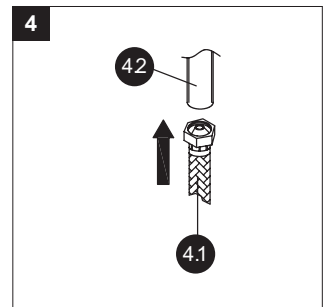
4. Connect the Water Supply Lines using a flexible braided supply line (4.1) (not included), connect the end with 1/2 in. female IPS to the tailpiece (4.2) of the faucet. Hand tighten. Do not overtighten. Install the other end of the supply line (4.1) to the shut-off valve or supply tube.

NOTE: Consumer should follow the directions on the supply line and if you have any questions about proper installation of the supply line, consult the manufacturer of the supply line.

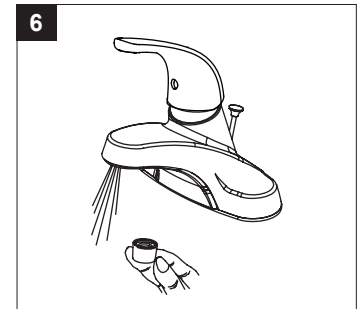
NOTE: Do not use plumbers tape on connections, this will void the warranty. If the washer of the supply line is damaged, change to new one before install to the faucet.

DO NOT INSTALL SUPPLY LINE WITHOUT INSPECTION. Leakage will come from the supply line and possibly cause water damage to your house.

5. Turn water supply or shut-off valve back on and check for leaks. If leaks occur, tighten nuts slightly.

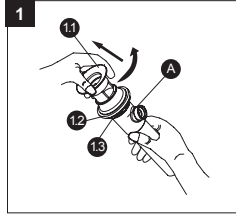


6. Remove aerator from the spout. Turn on the faucet and run the water for at least 30 seconds to flush out water lines. Turn off the faucet and replace aerator.

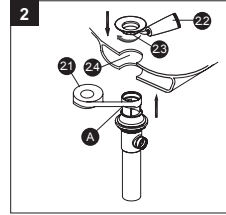


INSTALLATION INSTRUCTIONS TO INSTALL POP-UP ASSEMBLY

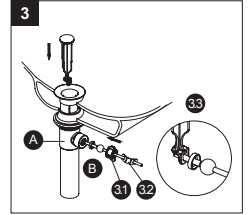
1. Remove preassembled flange (1.1) from pop-up assembly (A). Leave preassembled large black washer (1.2) and nut (1.3) on pop-up assembly (A).



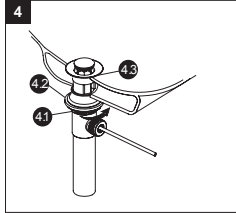
2. Add PTFE pipe tape (not included) (2.1) to the threads on the pop-up assembly (A). Add plumbers putty (2.2) (not included) to the underside of the drain flange (2.3) and press it into the drain hole (2.4). Remove any excess putty. Tighten the flange.



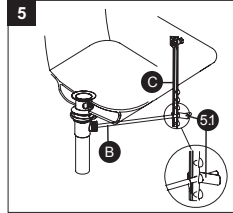
3. Unscrew the preassembled nut (3.1) from the pop-up assembly (A) and take off the preassembled spring clip (3.2) from the ball rod (B). (Please note: The preassembled white packing ring (3.3) must remain on the ball rod (B)). Place the nut (3.1) on the ball rod (B). Insert the ball rod (B) into the side hole of pop-up assembly (A). Slide the nut (3.1) on and tighten securely.



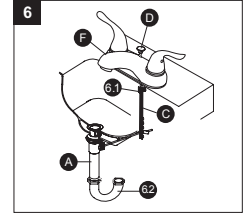
4. Thread preassembled locknut (4.1) from underside of sink until preassembled rubber washer (4.2) seats securely inside opening of sink (4.3). Tighten locknut securely by hand.



5. Place one end of spring clip (5.1) removed in step 3 on end of ball rod (B). Insert ball rod (B) across and through hole in lift rod strap (C). Secure other end.

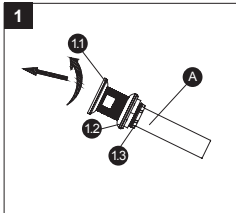


6. Insert faucet lift rod (D) through faucet (F) and into lift rod strap (C). Tighten preassembled thumbscrew (6.1). Connect pop-up assembly (A) to drain (6.2) (not included).

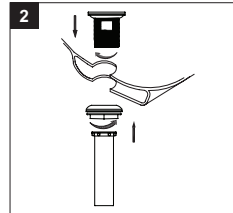


INSTALLATION INSTRUCTIONS TO INSTALL PUSH POP-UP ASSEMBLY

1. Remove preassembled flange (1.1) from pop-up assembly (A). Leave preassembled large black washer (1.2) and nut (1.3) on pop-up assembly (A).



2. Place flute washer onto drain body and slide drain body down through the drain opening from the top of the sink.



3. From underside of the sink, slide the rubber washer with beveled side down toward sink onto the drain body. Secure the drain body to the sink using nut. **DO NOT OVERTIGHTEN.**

