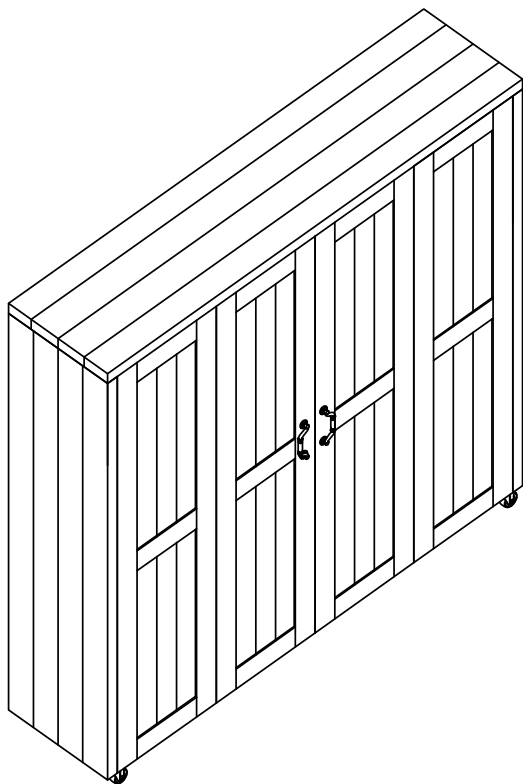


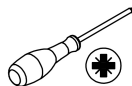
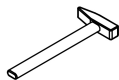
Outdoor TV Lift Cabinet

Instruction Manual

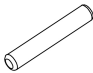



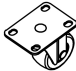




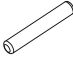







ENJOY HOME • ENJOY WORK • ENJOY LIFE

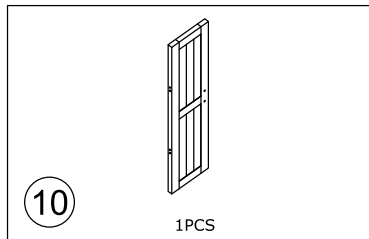
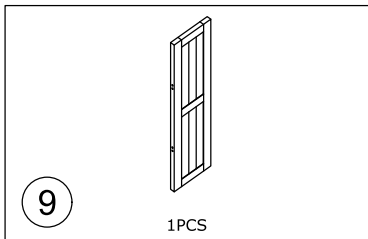
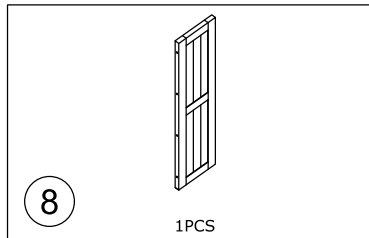
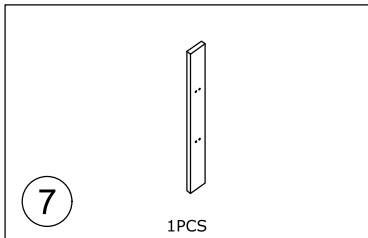
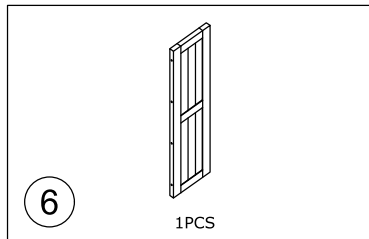
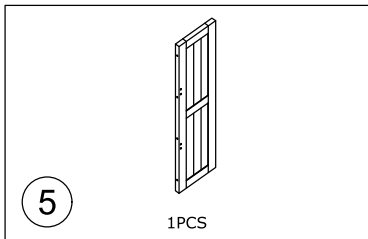
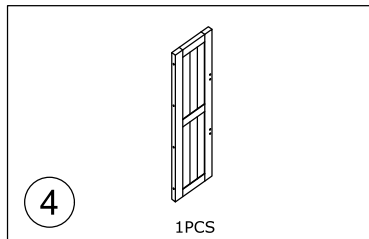
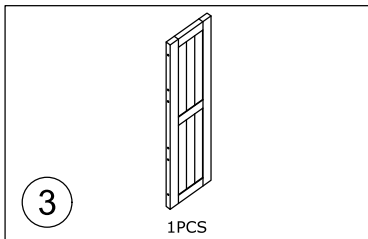
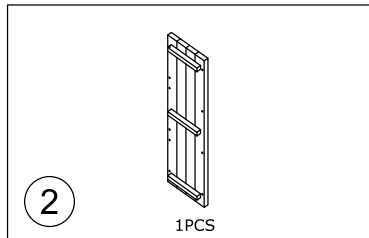
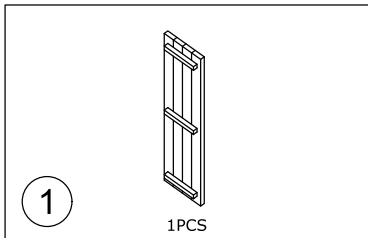
TOOLS REQUIRED

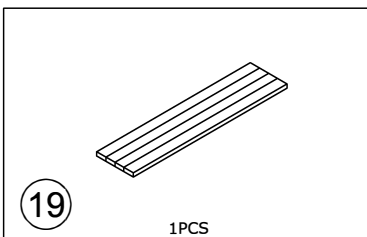
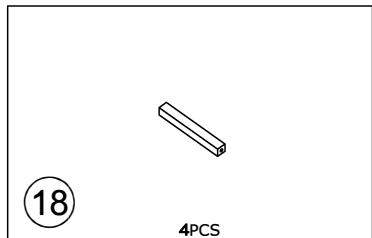
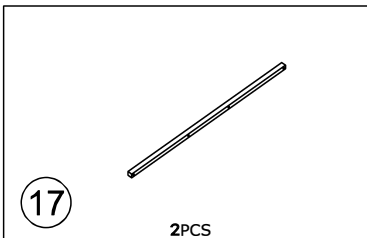
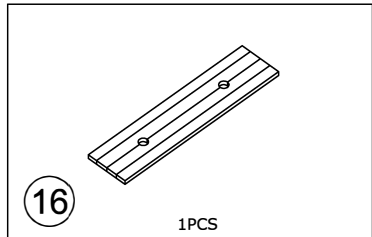
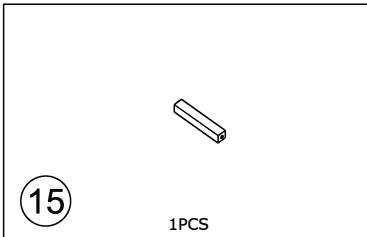
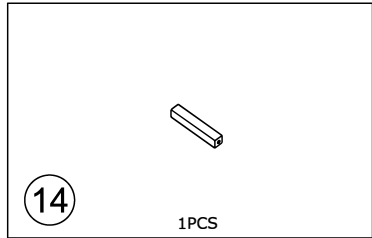
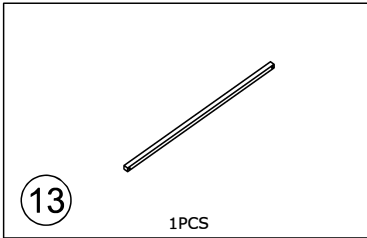
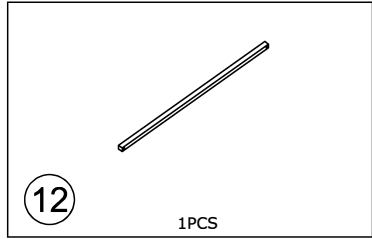
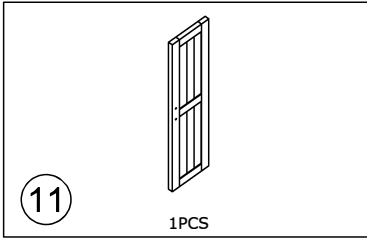


HARDWARE LIST

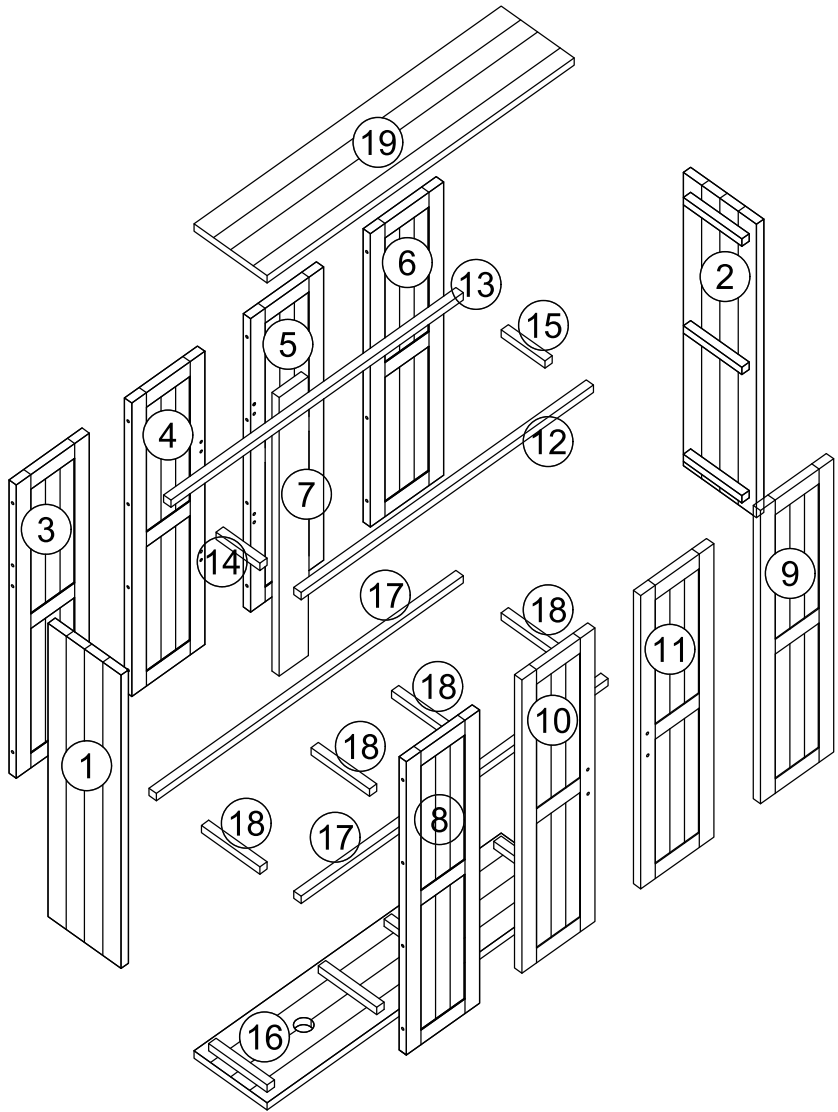
<p>A $\varnothing 8 \times 30$ 52PCS+3</p> 	<p>B M4*35 60PCS+3</p> 	<p>C M3*16 52PCS+5</p> 	<p>D 4PCS</p> 
<p>E 4PCS</p> 	<p>F -1 4PCS</p> 	<p>F -2 4PCS</p> 	<p>G 4PCS</p> 
<p>H 2PCS</p> 	<p>J $\varnothing 8 \times 20$ 12PCS+3</p> 	<p>K M4*70 8PCS+2</p> 	<p>L M4*20 16PCS+2</p> 
<p>M M4*20 4PCS +1</p> 	<p>N 2PCS</p> 	<p>P 2PCS</p> 	

PARTS LIST





PRODUCTS AND ACCESSORIES

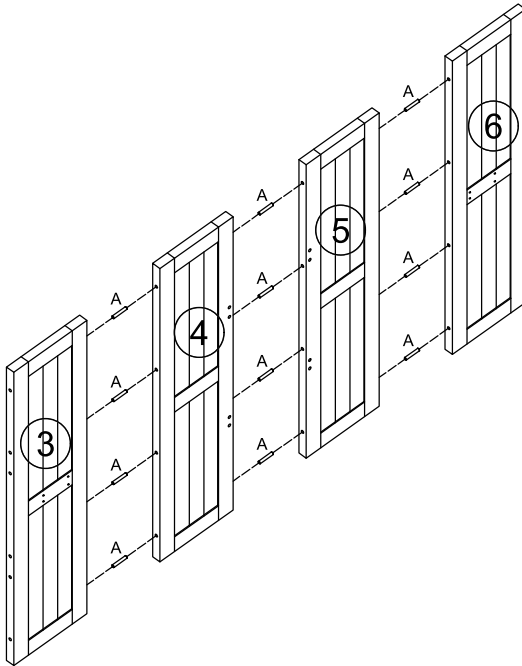
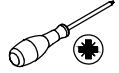


ASSEMBLY INSTRUCTIONS

1



A x 12



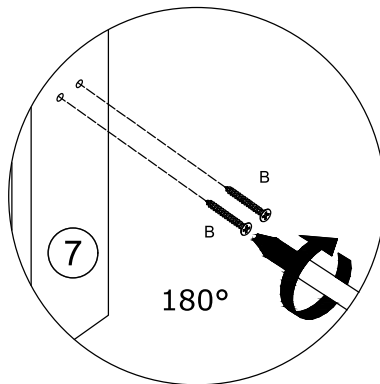
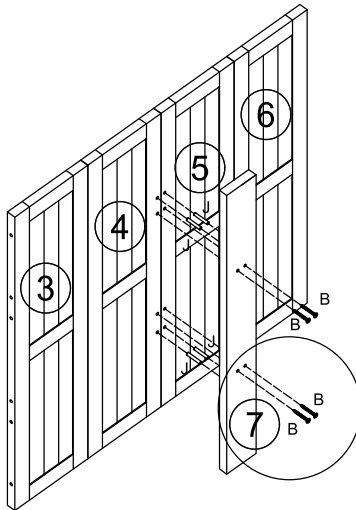
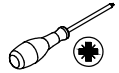
2



J x 4



B x 4



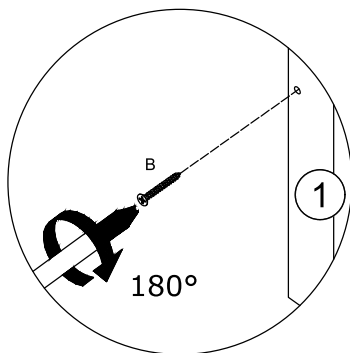
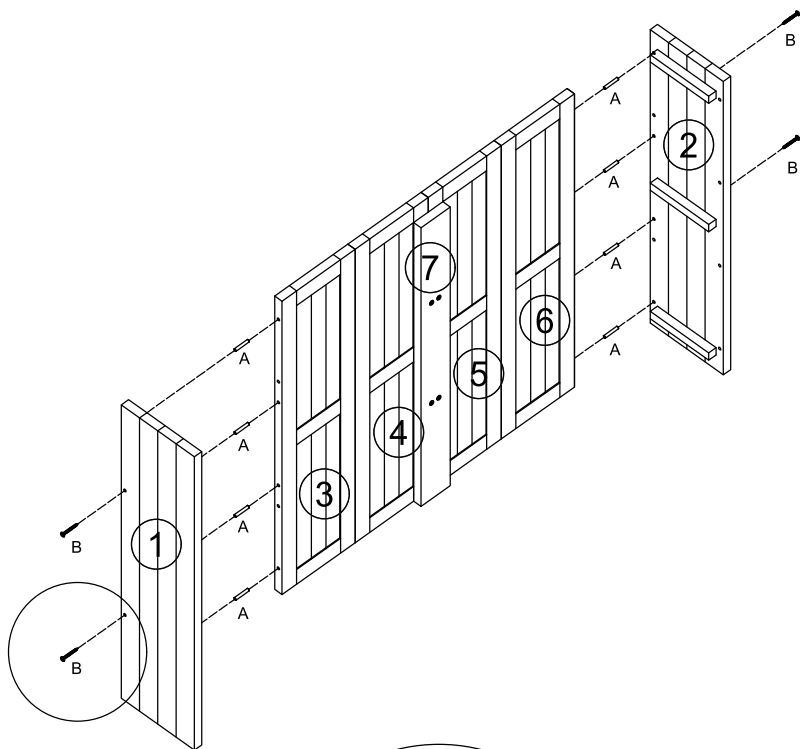
3



A x 8



B x 4



4



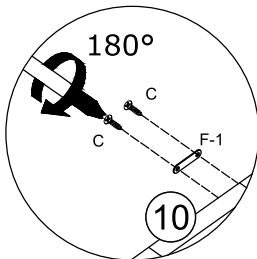
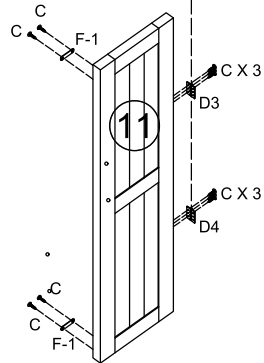
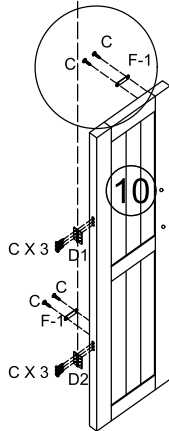
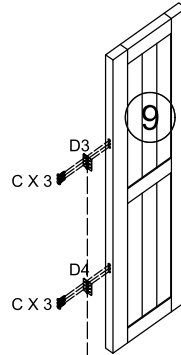
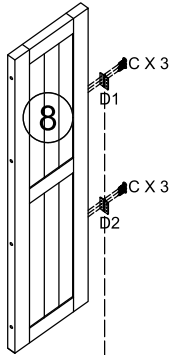
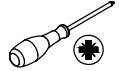
C x 32



F-1 x 4



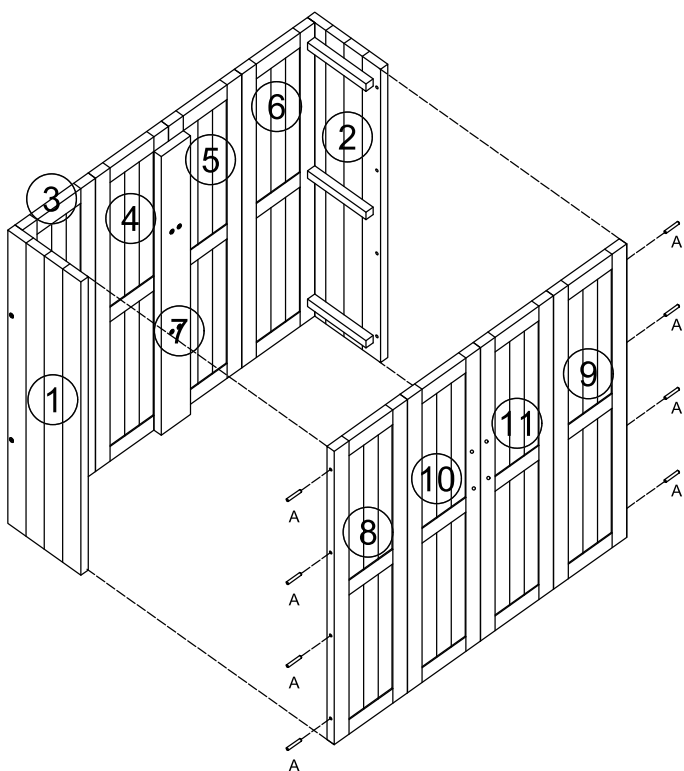
D x 4



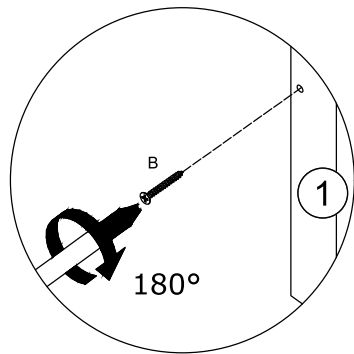
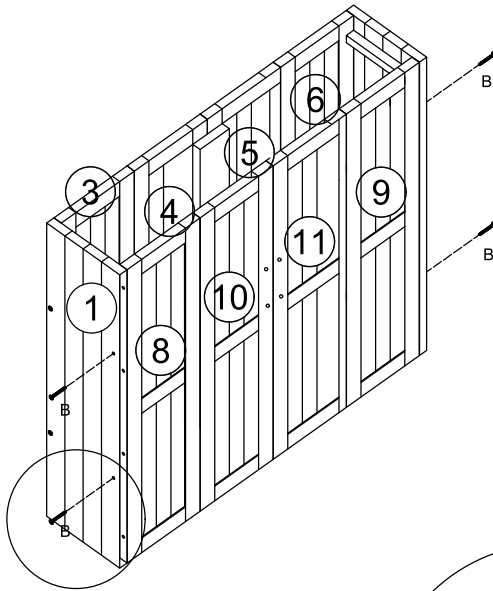
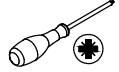
5



A x 8



6



7



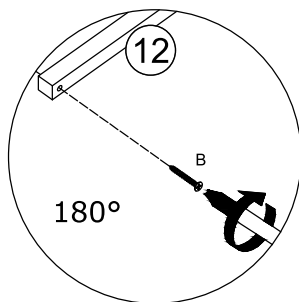
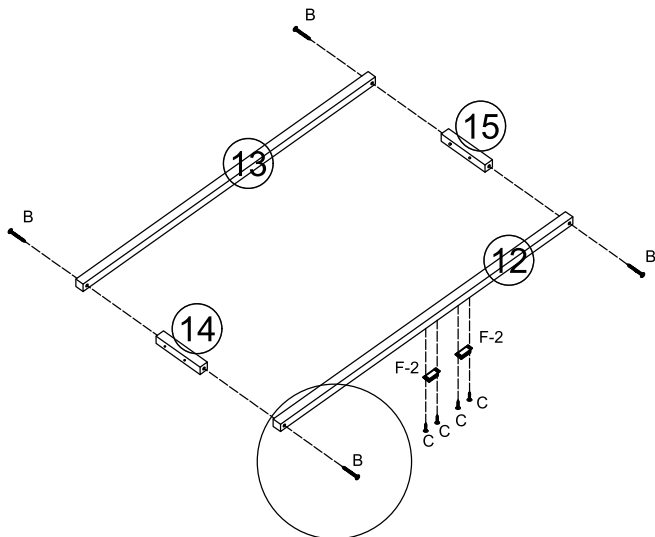
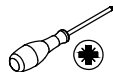
B x 4



C x 4



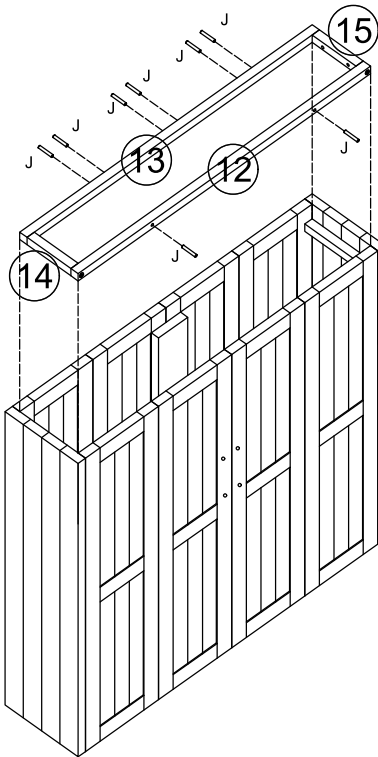
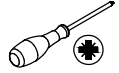
F-2 x 2



8



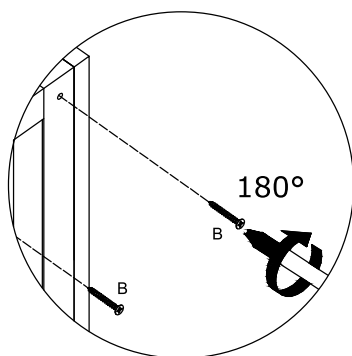
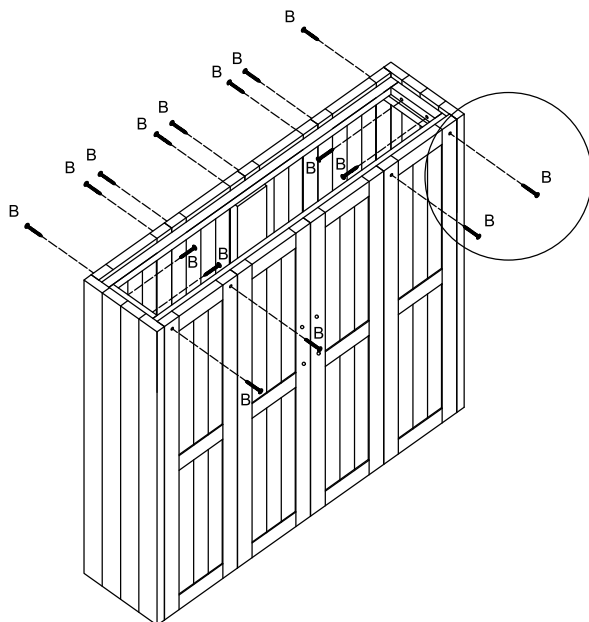
J x 8



9



B x 16



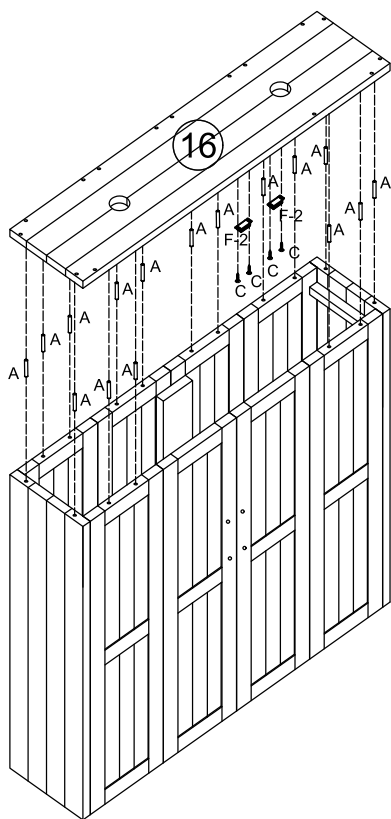
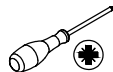
10



A x 16



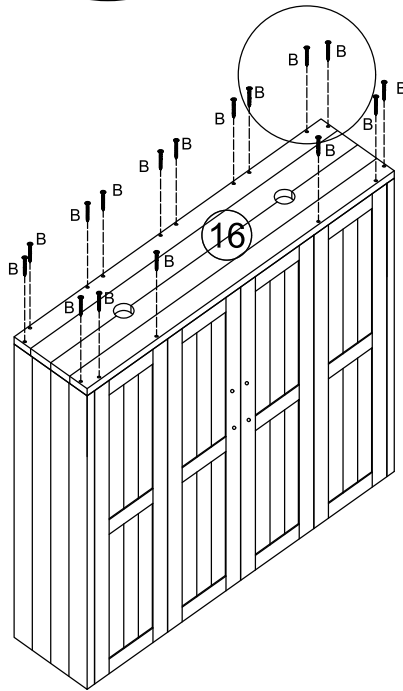
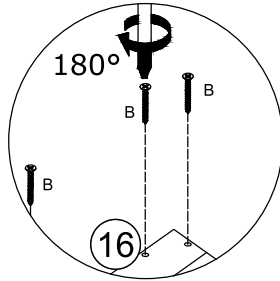
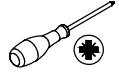
C x 4



11



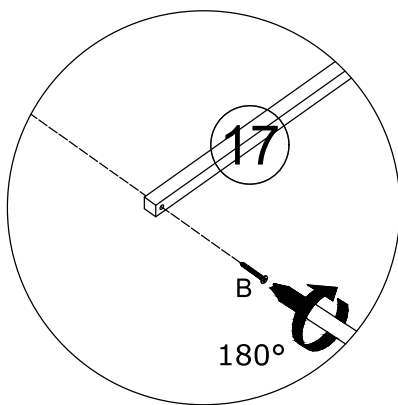
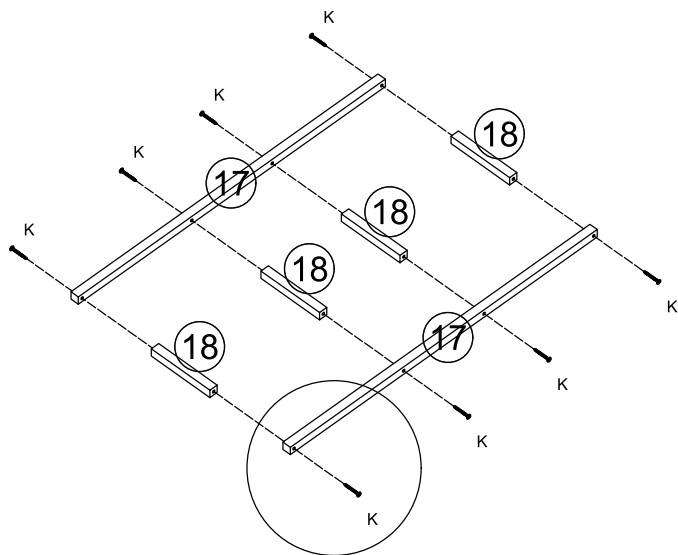
B x 16



12



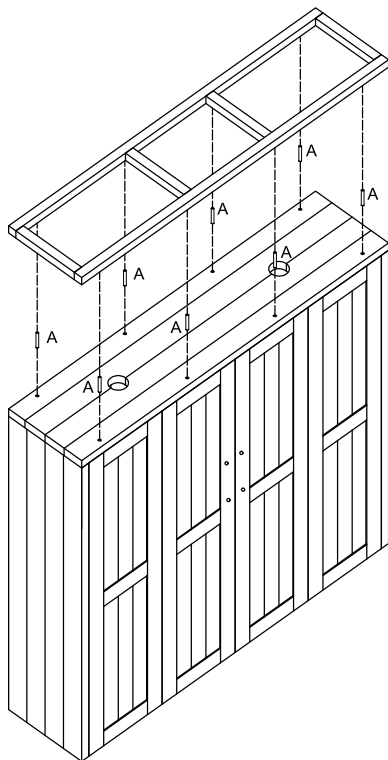
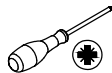
K x 8



13



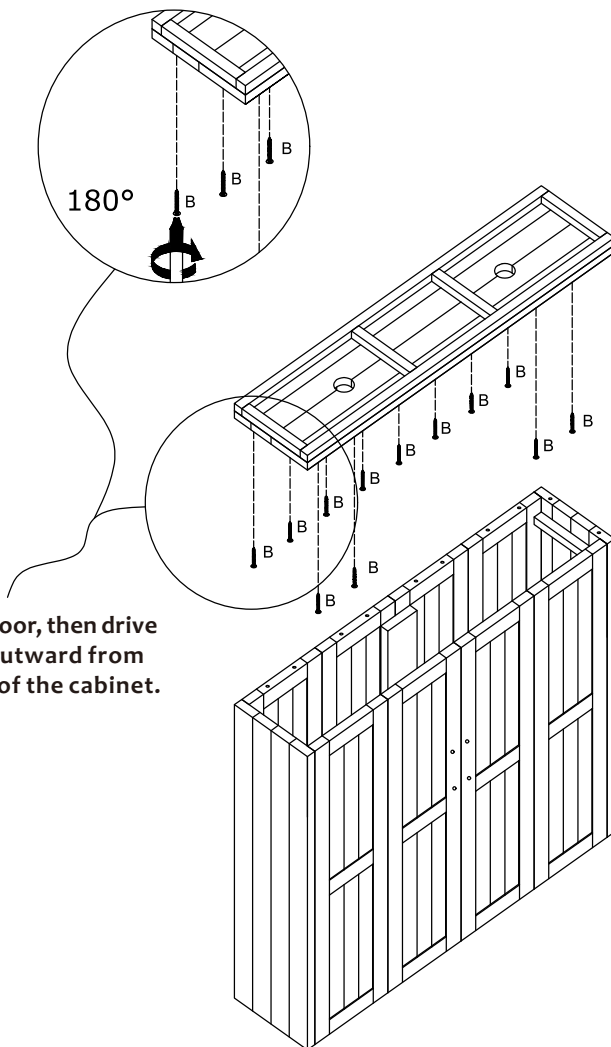
A x 8



14



B x 12



Open the door, then drive B screws outward from the inside of the cabinet.

15



L x 16



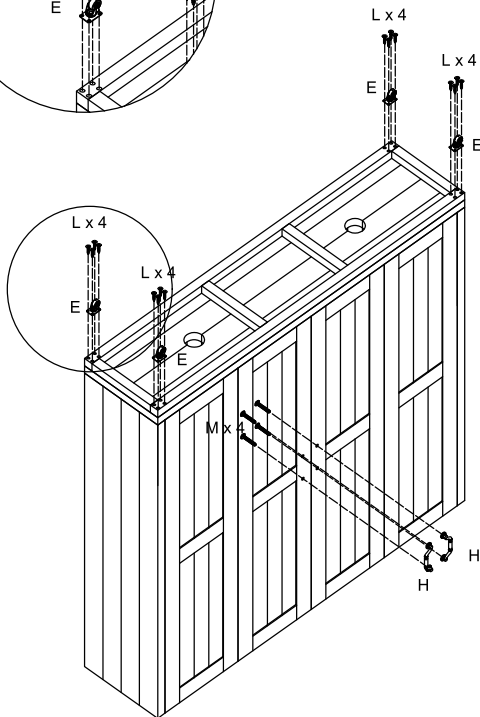
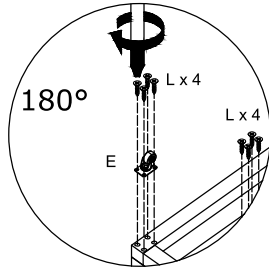
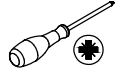
E x 4



H x 4

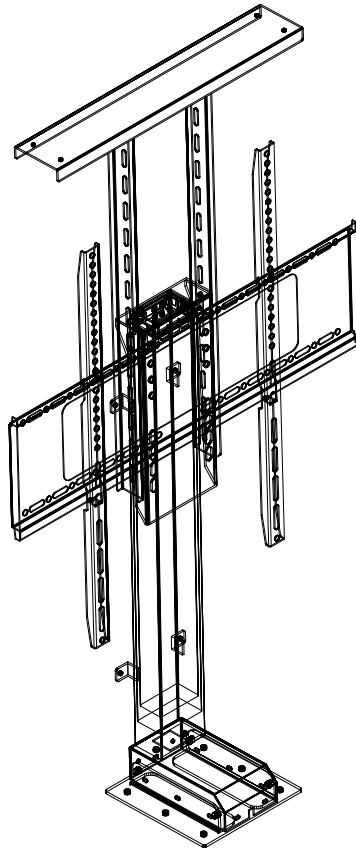


M x 4



16

A:1PC	B:1PC		C:1PC	D:1PC	E:2PCS	F:2PCS	G:1PC	
H:2PCS	I:8PCS	J:4PCS	K:4PCS	L:10PCS	M:1PC	N:1PC	O:4PCS	P:2PCS
M6*8	M6*12	M8*16	M8 NUT	TAPPINGSCREW	4MM ALLEN KEY	5MM ALLEN KEY	M6*16	M5*40



17



C x 8



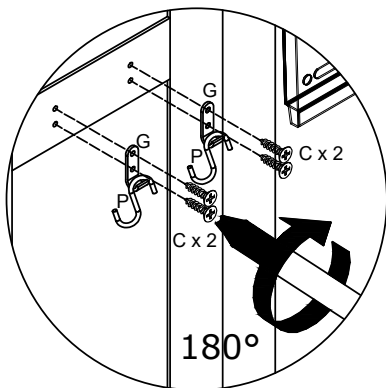
G x 4



N x 2

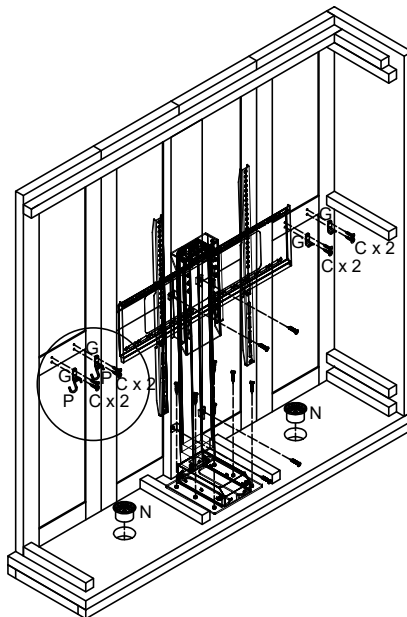


P x 2



For the assembly of the lifting unit, refer to the instruction manual packed with the lifting unit.

The height of the lifting unit can be adjusted according to the size of the TV.



18



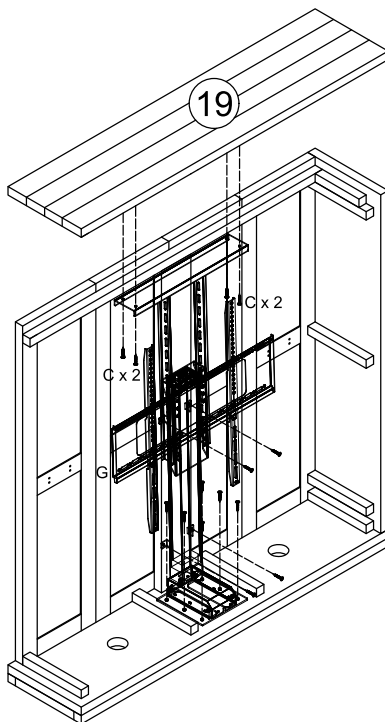
C x 4



G x 4



When installing Board 19, align the board with the four edges of the cabinet, then drive C screws outward from the inside of the cabinet to connect them.



FINISH

