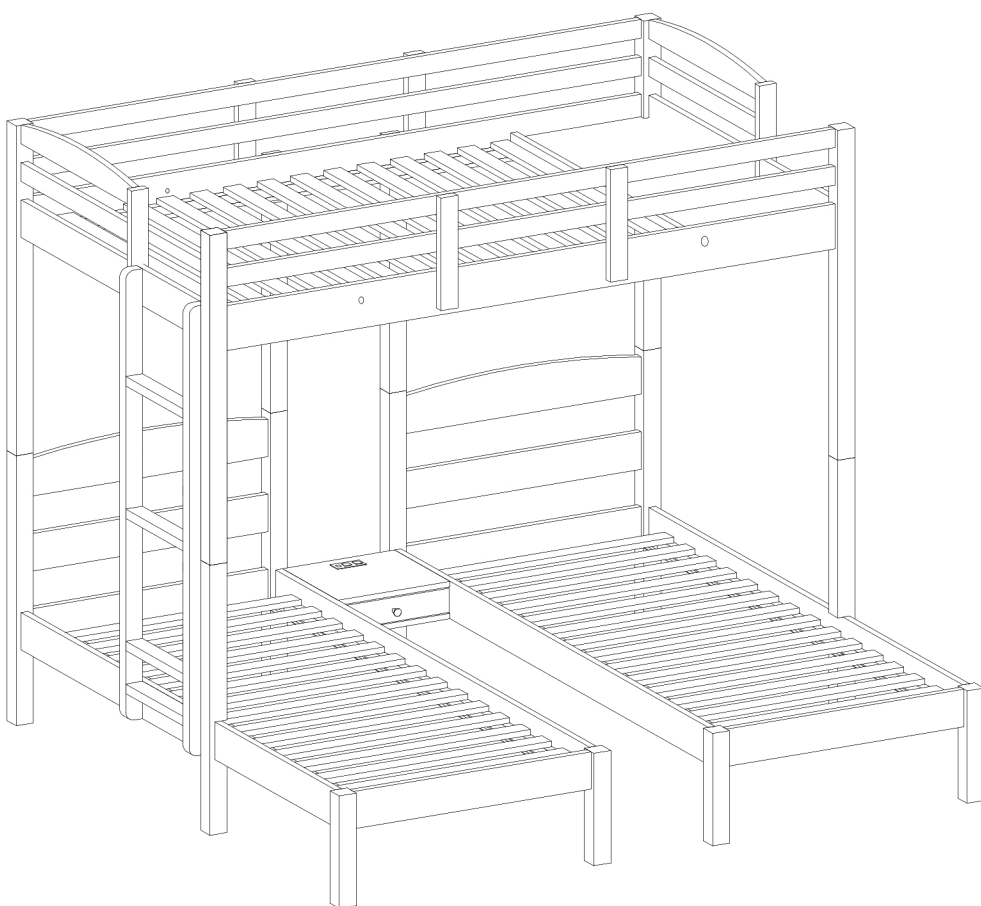
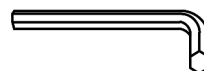


ASSEMBLY INSTRUCTIONS



TOOLS REQUIRED



Allen Wrench

(Included)



Phillips
Screwdriver

(Not Included)



2 - People
Recommended

ASSEMBLY RATING



EASY —————> DIFFICULT

The Assembly Rating is a 5-point system showing the level of effort needed to assemble a specific product.



CHECK BEFORE STARTING

Are you missing anything?

Double-check all parts, hardware and accessories listed are all accounted for.

Should we send any replacements?

Are there any irregularities or flaws in the parts? We can send replacements!

Check out our Quick Tips!

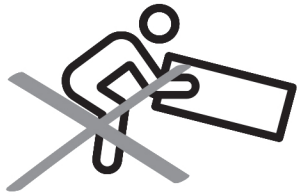
We recommend reviewing the pre-assembly handouts. Even experts need a refresher now and then!

Prep Time!

Please review the assembly instructions and all diagrams prior to assembling.

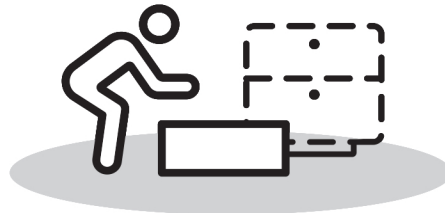
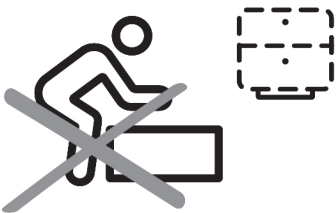
PRE ASSEMBLY INTRODUCTION

We understand building ready-to-assemble furniture can be a challenging experience for some. To help avoid confusion, we have provided some helpful tips that may speed up the process.



Teamwork

ALWAYS have at least two people to help with transporting and assembling the product to avoid potential injury and/or damage.



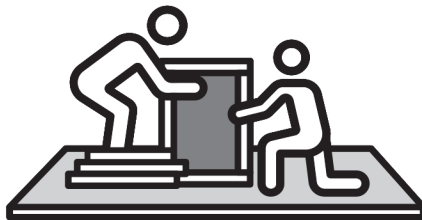
Suitable Location

Assembling near the area of the intended location is highly recommended.



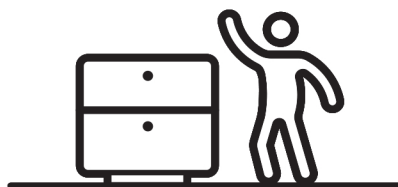
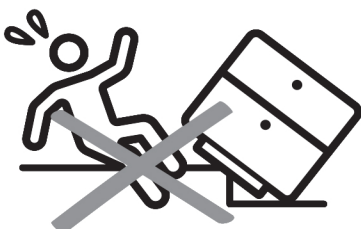
Sufficient Space

Make sure you have enough space to move around during the assembly.



Avoid Scratches

Use cardboard, blankets or a carpeted area while assembling furniture to prevent to prevent scratches and damages.



Flat Surface

Make sure the furniture rests on a flat and level surface with each leg evenly touching the floor.

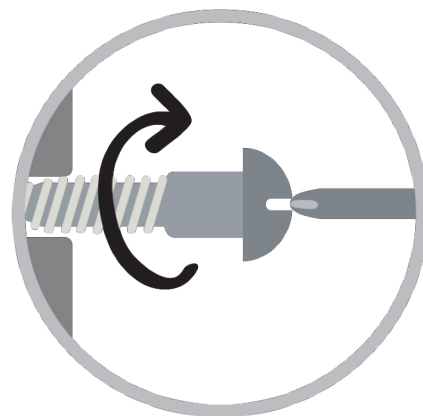
ASSEMBLY AND CARE ADVICE



FAILURE TO FOLLOW THE GUIDELINES BELOW MAY RESULT IN INJURY AND/OR PROPERTY DAMAGE.



Position each part correctly and insert screws or bolts into their respective holes.



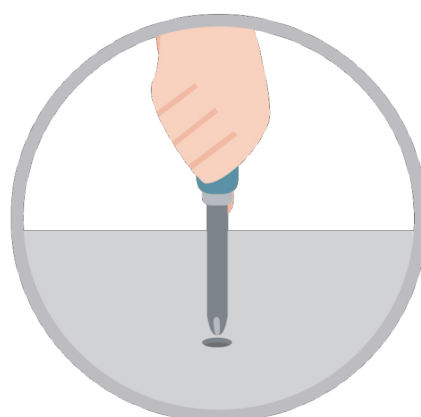
Turn clockwise to tighten and only tighten when step is completed or when instructed to do so.



Use the appropriate hand tools or power tools for assembly. Select steps, such as tightening screws and/or bolts, may require hand tools to avoid causing damage during assembly.



Save the instructions and store any supplied tools for later maintenance.



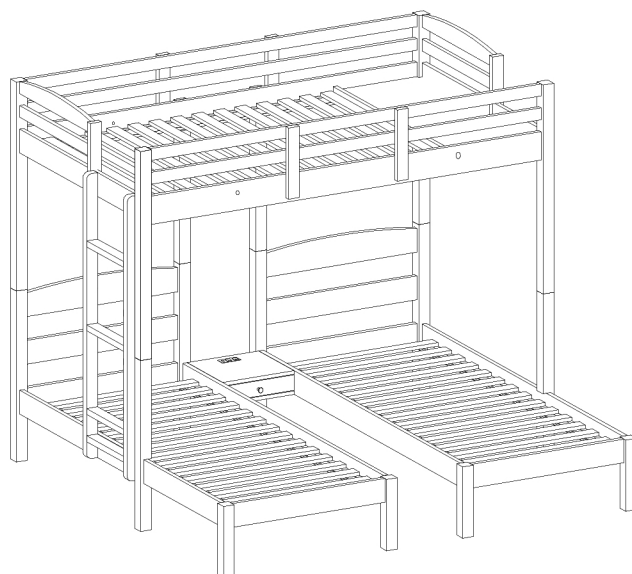
After two weeks, check and tighten any loose hardware and repeat again every six months thereafter.

IT IS THE USER'S RESPONSIBILITY TO MAINTAIN THE FURNITURE. THE HARDWARE MAY LOOSEN OVER TIME AND MAY CAUSE THE FURNITURE TO BE WOBBLY AND UNABLE TO SUPPORT ITS INTENDED WEIGHT CAPACITY. THIS MAY LEAD TO COLLAPSE AND MAY CAUSE SERIOUS INJURY.

Bunk Bed

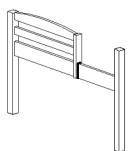


• Please keep instructions for future reference.
 • Check the quantity and irregularity of parts and hardware before you start.



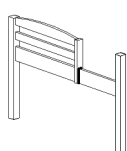
PARTS

#1 1pc



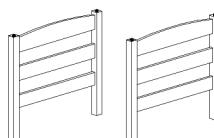
Upper Headboard Left

#2 1pc



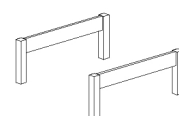
Upper Headboard Right

#3 2pcs



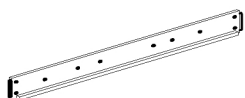
Lower Headboard

#4 2pcs



Lower Footboard

#5 1pc



Upper Side Rail (Back)

#6 4pcs



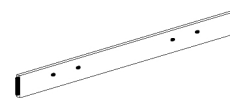
Long Guard Rail

#7 4pcs



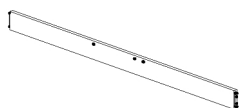
Vertical Guard Rail Support

#8 1pc



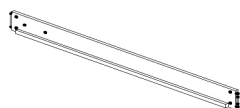
Upper Side Rail (Front)

#9 1pc



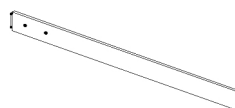
Lower Side Rail

#10 1pc



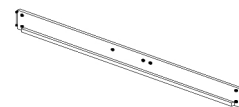
Lower Side Rail

#11 1pc



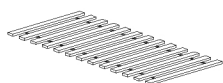
Lower Side Rail

#12 1pc



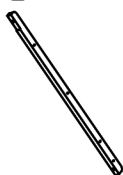
Lower Side Rail

#13 3sets



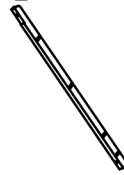
Lower Slats (13pcs)

#14 1pc



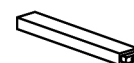
Side Rail Ladder (L)

#15 1pc



Side Rail Ladder (R)

#16 4pcs



Slat Ladder

#17 1pc



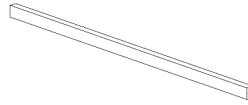
Drawer

#18 1pc



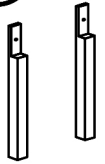
Panel Slat

#19 1pc



Support Slat

#20 2pcs



Support Short Post

#21 1pc



Support Long Post Left

#22 1pc



Support Long Post Right

HARDWARE

#A 32pcs



Long Bolt(Ø15)
1/4"x4"

#B 6pcs



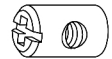
Short Bolt(Ø13)
1/4"x1-5/8"

#C 32pcs



Short Bolt(Ø13)
1/4"x1-1/4"

#D 32pcs



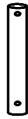
Barrel Nut
1/4" x 15(9.5mm)

#E 8pcs



Wood Screw(Ø13)
1/4" x 2"

#F 6pcs



Metan Pin(Ø9)
1/4" x 80mm

#G 82pcs



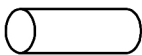
Wood Screw
3/16" x35mm

#H 1pc



Allen Wrench 4mm

#I 12pcs



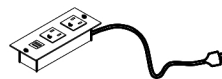
Wooden Ø10*30mm

#J 2pcs



Wood Screw
Ø3 x 15mm

#K 1pc



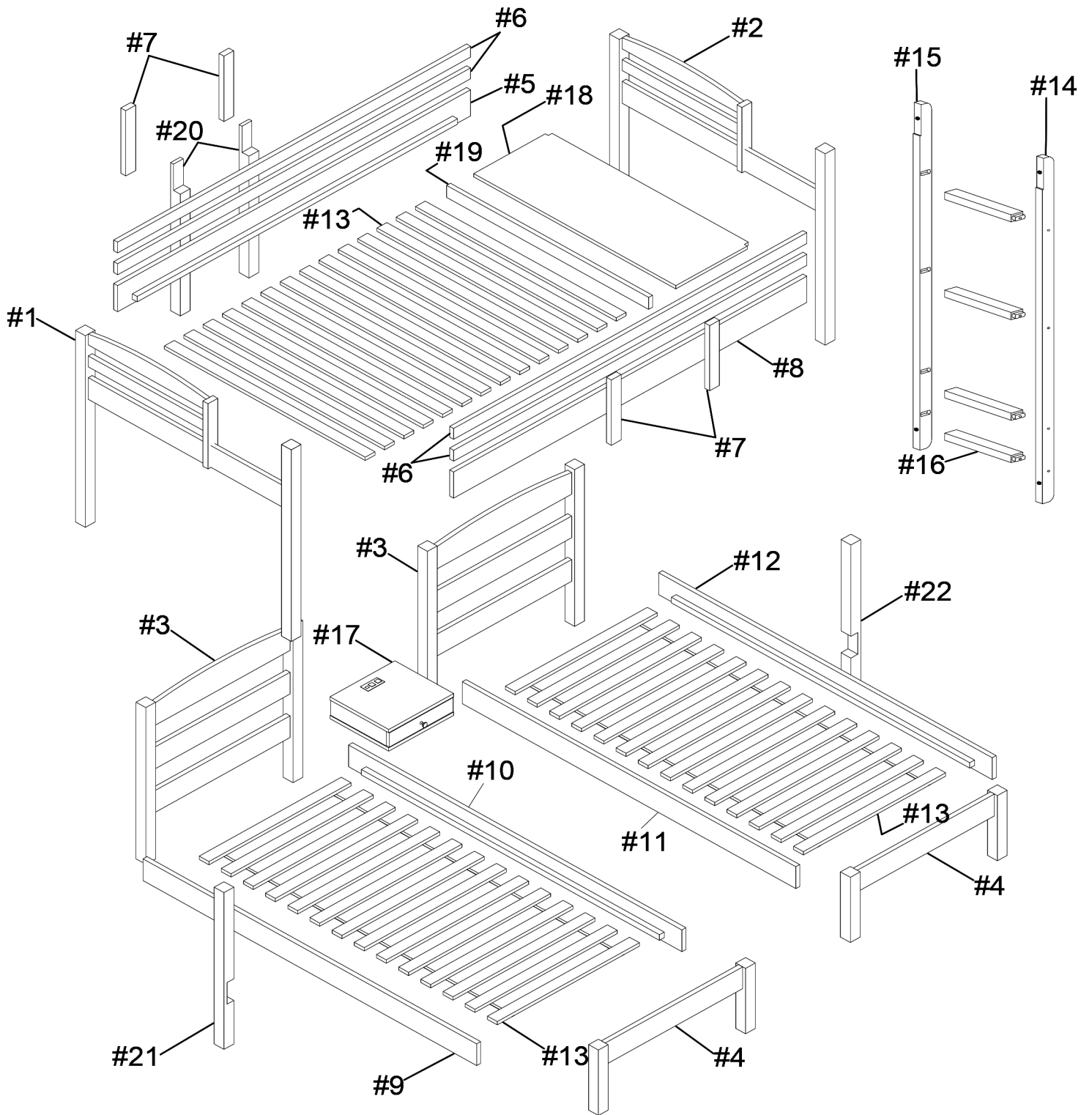
Plug Power

#L 2pcs

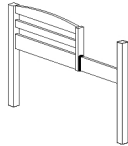



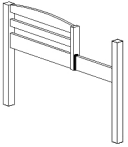


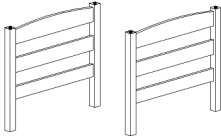


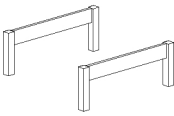

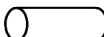




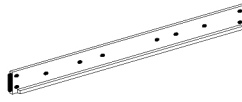
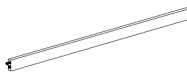

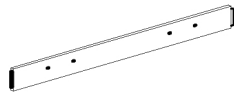
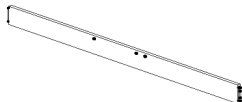
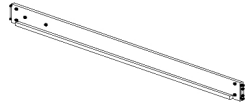


Wooden Plug

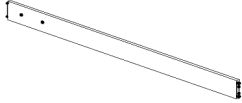
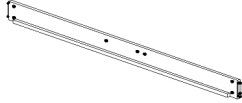
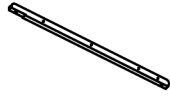


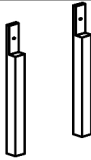


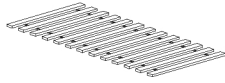

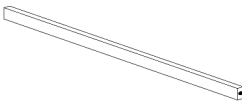
Exploded View



packed in 3 caces

Carton	Disignation		Part	Hardware
	Upper Headboard Left	#1		 #A 32pcs  #B 6pcs  #C 32pcs
	Upper Headboard Right	#2		 #D 32pcs  #E 8pcs
	Lower Headboard (2pcs)	#3		 #F 6pcs  #G 82pcs
	Lower Footboard (2pcs)	#4		 #H 1pc  #I 12pcs
	Drawer	#17		 #J 2pcs  #K 1pc  #L 2pcs
		Upper Side Rail (Back)	#5	
Long Guard Rail (4pcs)		#6		
Vertical Guard Rail Support (4pcs)		#7		
Upper Side Rail (Front)		#8		
Lower Side Rail		#9		
Lower Side Rail		#10		

packed in 3 caces

Carton	Disignation		Part	Hardware
	Lower Side Rail	#11		
	Lower Side Rail	#12		
	Side Rail Ladder (L)	#14		
	Side Rail Ladder (R)	#15		
	Slat Ladder(4pcs)	#16		
	Support Short Post (2pcs)	#20		
	Support Long Post Left	#21		
	Support Long Post Right	#22		
	Lower Slats (13pcs) (3sets)	#13		
	Panel Slat	#18		
	Support Slat	#19		

ASSEMBLY INSTRUCTIONS

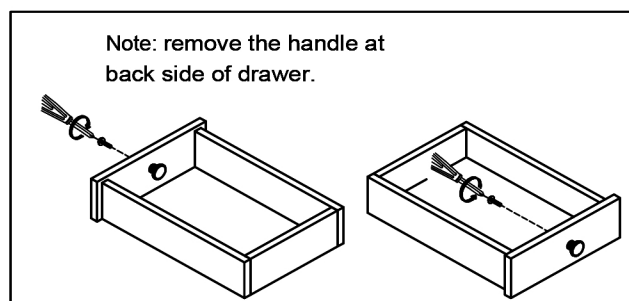
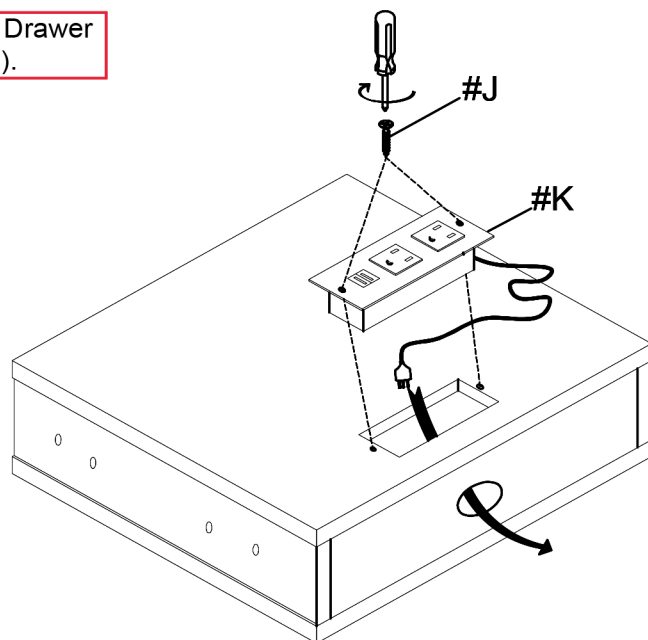
1

Insert the Plug Power (#K) into the Drawer (#17) and secure using Screws (#J).

Part #17 x1pc

Hardware #J x 2pcs

Hardware #K x1pc



2

Part #3 x2pcs

Part #4 x2pcs

Part #9 x1pc

Part #10 x1pc

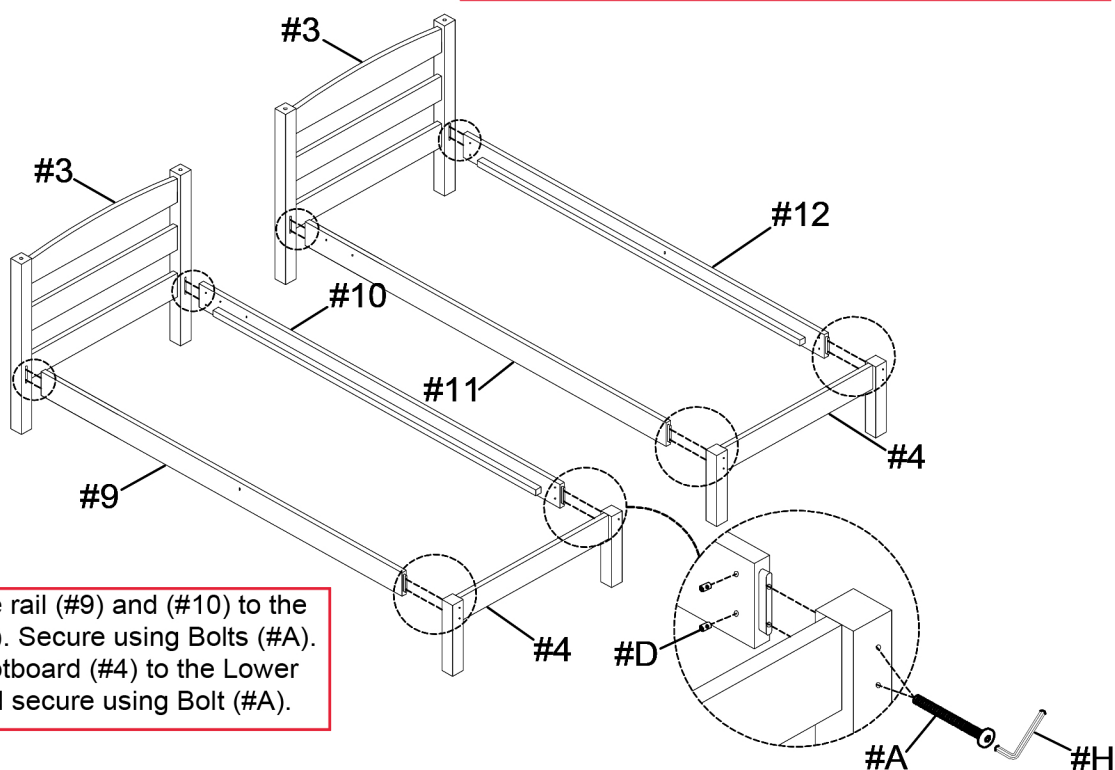
Part #11 x1pc

Part #12 x1pc

Hardware #A x16pcs

Hardware #D x16pcs

III. Align the Lower Side rail (#11) and (#12) to the Lower Headboard (#3). Secure using Bolts (#A).
IV. Align the Lower Footboard (#4) to the Lower Side rails (#9,#10) and secure using Bolt (#A).



I. Align the Lower Side rail (#9) and (#10) to the Lower Headboard (#3). Secure using Bolts (#A).
II. Align the Lower Footboard (#4) to the Lower Side rails (#9,#10) and secure using Bolt (#A).

ASSEMBLY INSTRUCTIONS

I. Align the Drawer (#17) in between the lower bed frames using Wooden Dowel (#1) and secure using Bolts (#C).

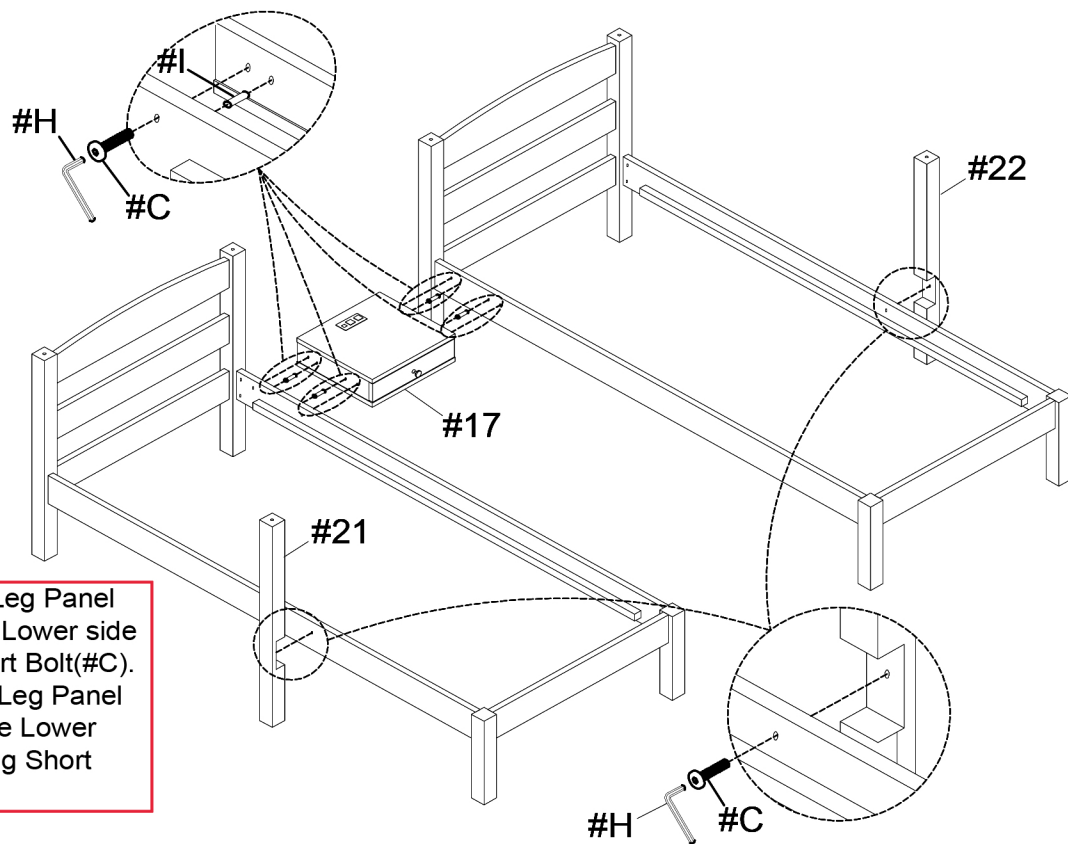
3

Part #21 x1pc

Part #22 x1pc

Hardware #C x6pcs

Hardware #1 x4pcs



II. Align the Support Leg Panel post Left (#21) to the Lower side rail (#9) by using Short Bolt(#C).
III. Align the Support Leg Panel post Right (#22) to the Lower side rail (#12) by using Short Bolt(#C).

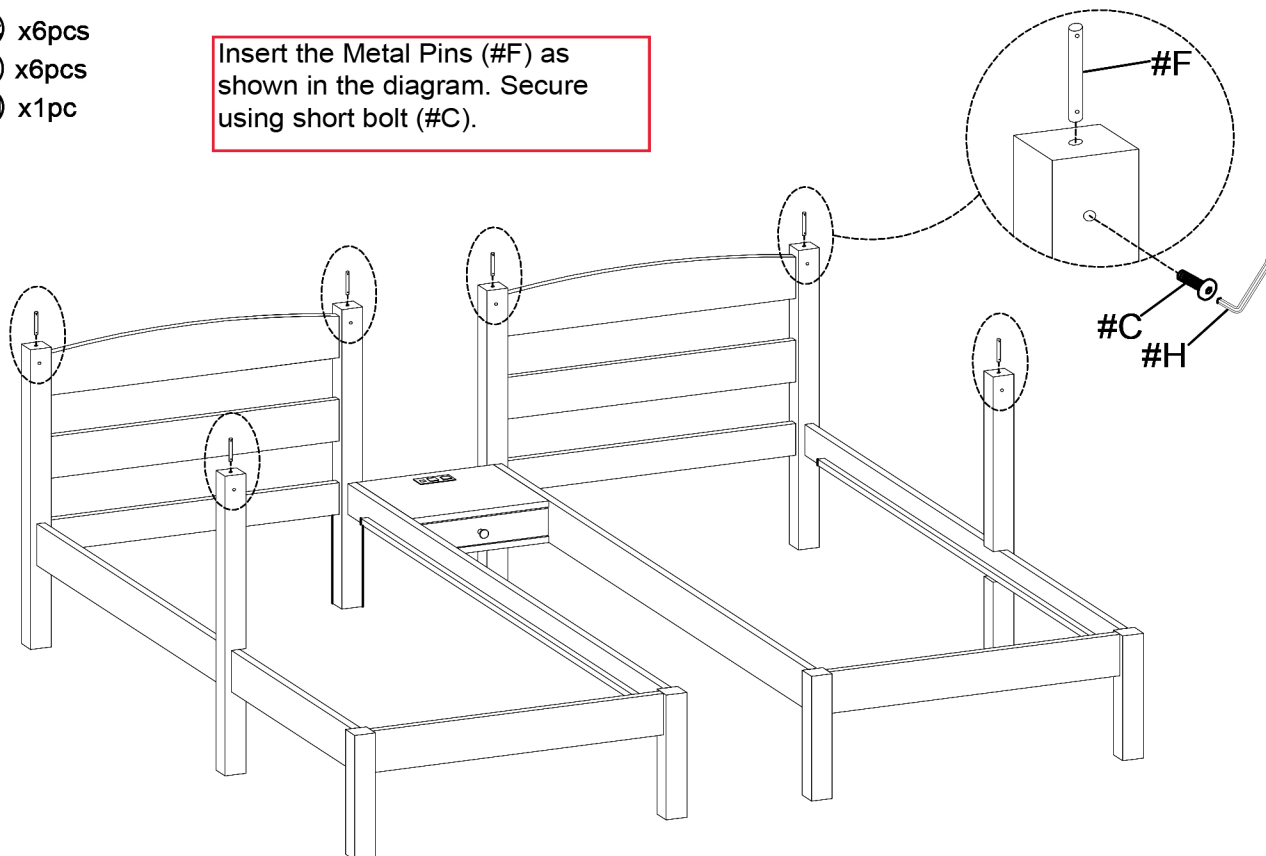
4

Hardware #C x6pcs

Hardware #F x6pcs

Hardware #H x1pc

Insert the Metal Pins (#F) as shown in the diagram. Secure using short bolt (#C).



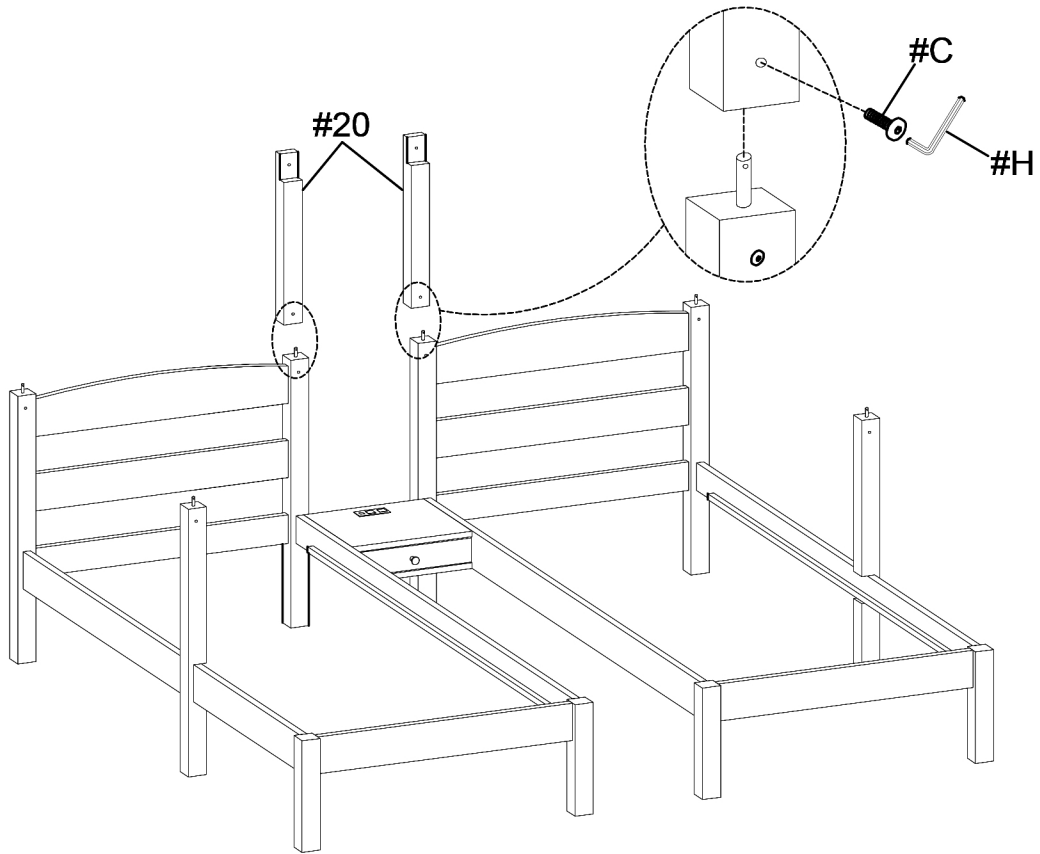
ASSEMBLY INSTRUCTIONS

Insert the Support short post (#20) on the Lower headboard (#3) and secure using Short bolt (#C).

5

Part #20 x2pcs

Hardware #C x2pcs



6

Part #1 x1pc

Part #2 x1pc

Part #5 x1pc

Part #6 x4pcs

Part #7 x4pcs

Part #8 x1pc

Hardware #A x16pcs

Hardware #C x12pcs

Hardware #D x16pcs

Hardware #I x8pcs

I. Align the Upper Side rail Front (#8) to the Upper headboard (#1) and upper headboard(#2) secure using Long bolt (#A) and Barrel nut (#D).
II. Align the Upper Side rail Back (#5) to the Upper headboard (#1) and upper headboard(#2) secure using Long bolt (#A) and Barrel nut (#D).



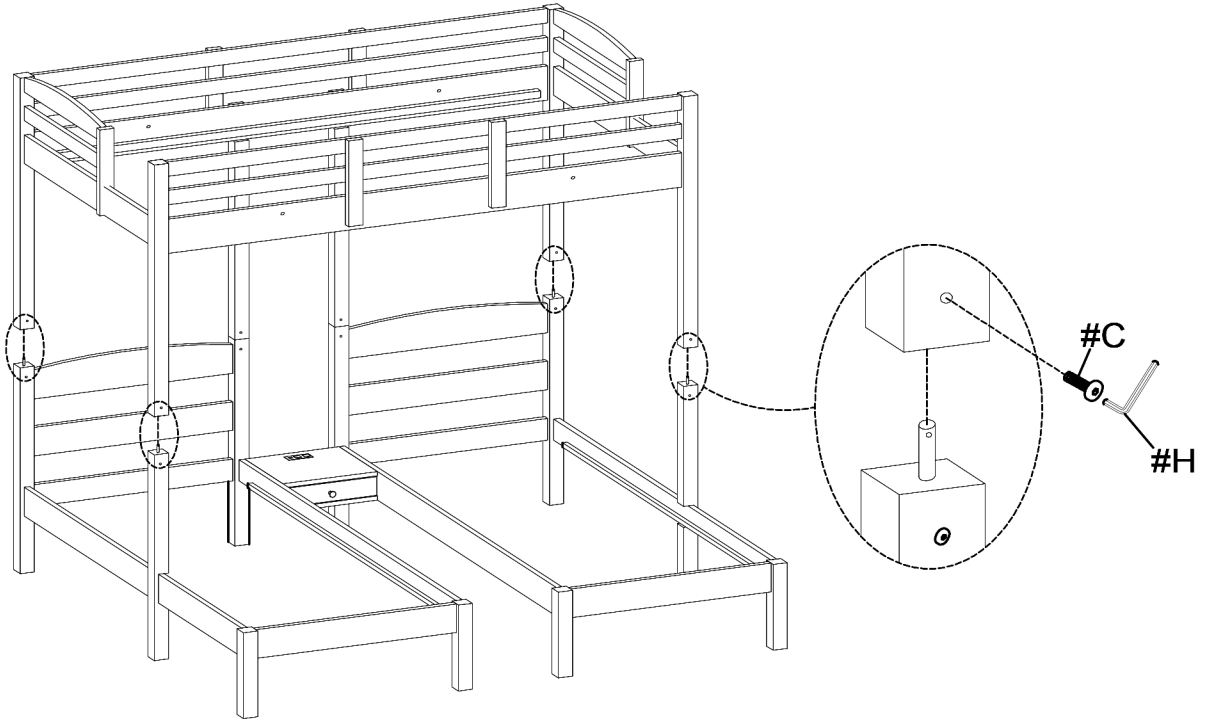
III. Align the Long guard rails (#6) using Wooden dowel (#I) and secure using Long bolt (#A) with Barrel nut (#D).
V. Secure the Vertical guard rail support (#7) to guard rails by using Short bolt (#C).

ASSEMBLY INSTRUCTIONS

7

Hardware  x4pcs

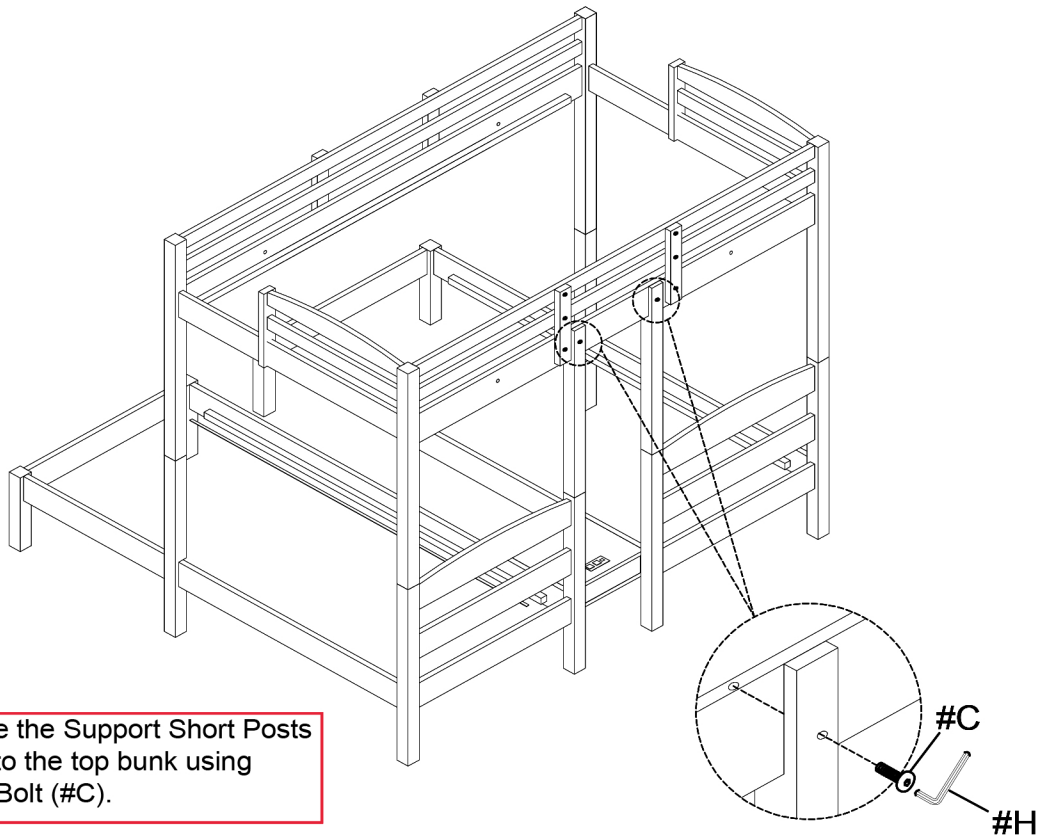
Align the upper bunk to the lower bunks using the Metal Pins. Secure the legs by using Short Bolt (# C).



8

Hardware  x2pcs

Secure the Support Short Posts (#20) to the top bunk using Short Bolt (#C).

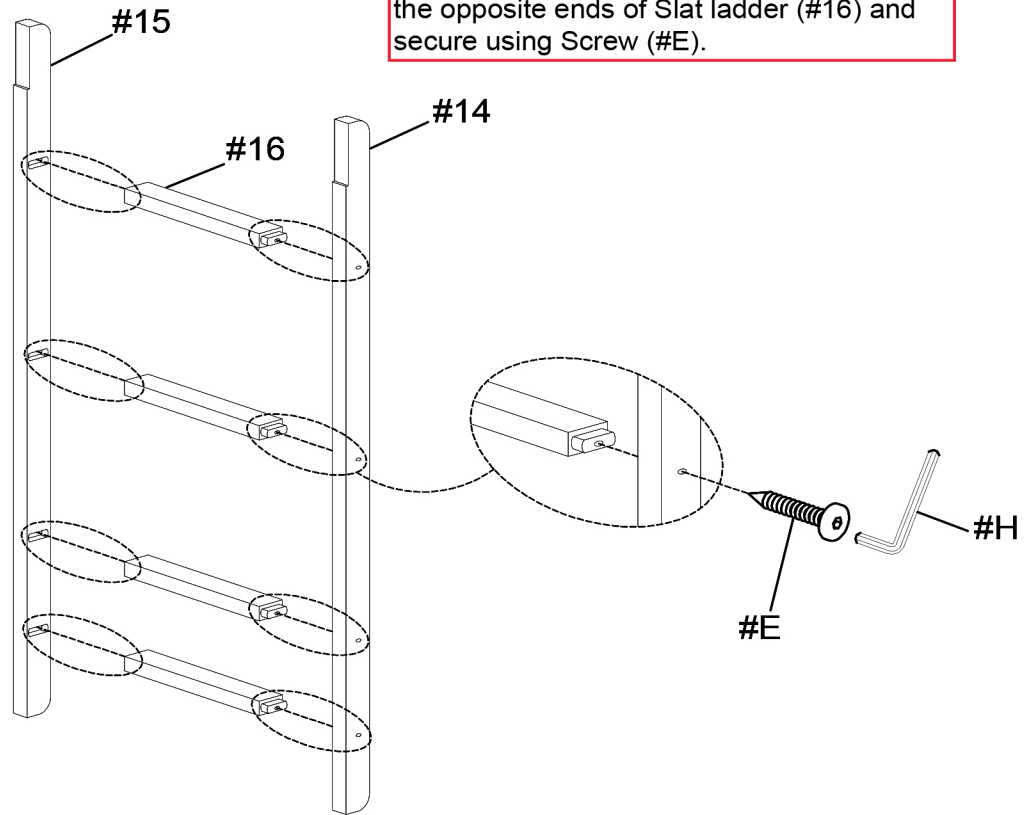


ASSEMBLY INSTRUCTIONS

9

- Part #14 x1pc
- Part #15 x1pc
- Part #16 x4pcs
- Hardware #E x8pcs

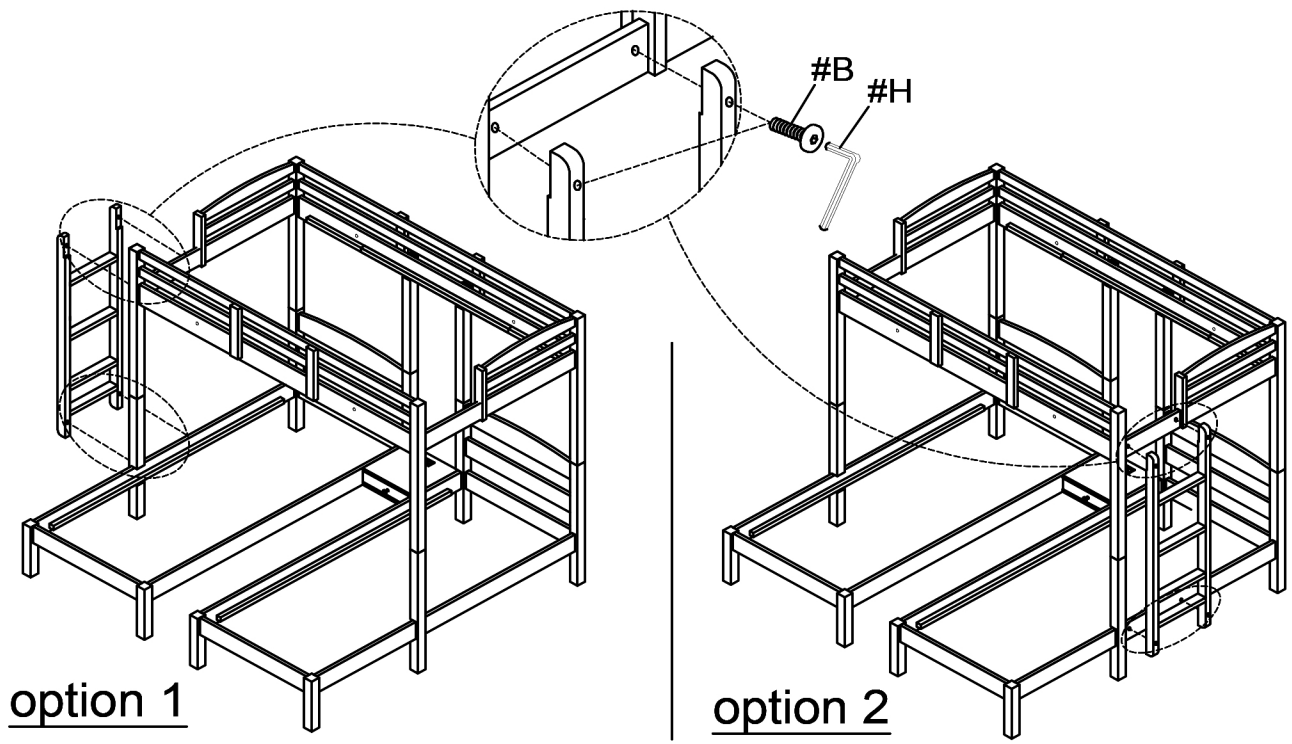
Align the Slat ladder (#16) to the Left Side rail ladder (#14) and secure using Screw (#E). Align the Right Side rail ladder (#15) to the opposite ends of Slat ladder (#16) and secure using Screw (#E).



10

- Hardware #B x4pcs
- Hardware #H x1pc

Align the ladder to the top and bottom bunk according to your preferred direction. Secure using Short Bolt (#B).



option 1

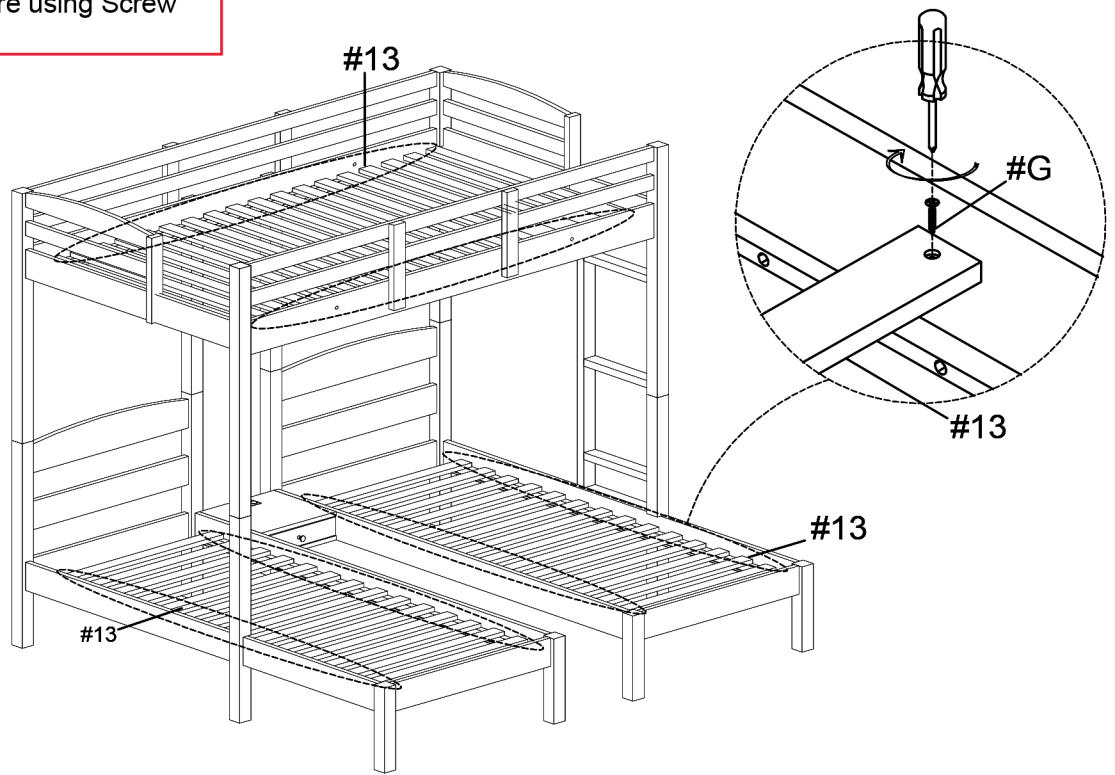
option 2

ASSEMBLY INSTRUCTIONS

11

Place slats (#13) as shown on diagram. Secure using Screw (#G).

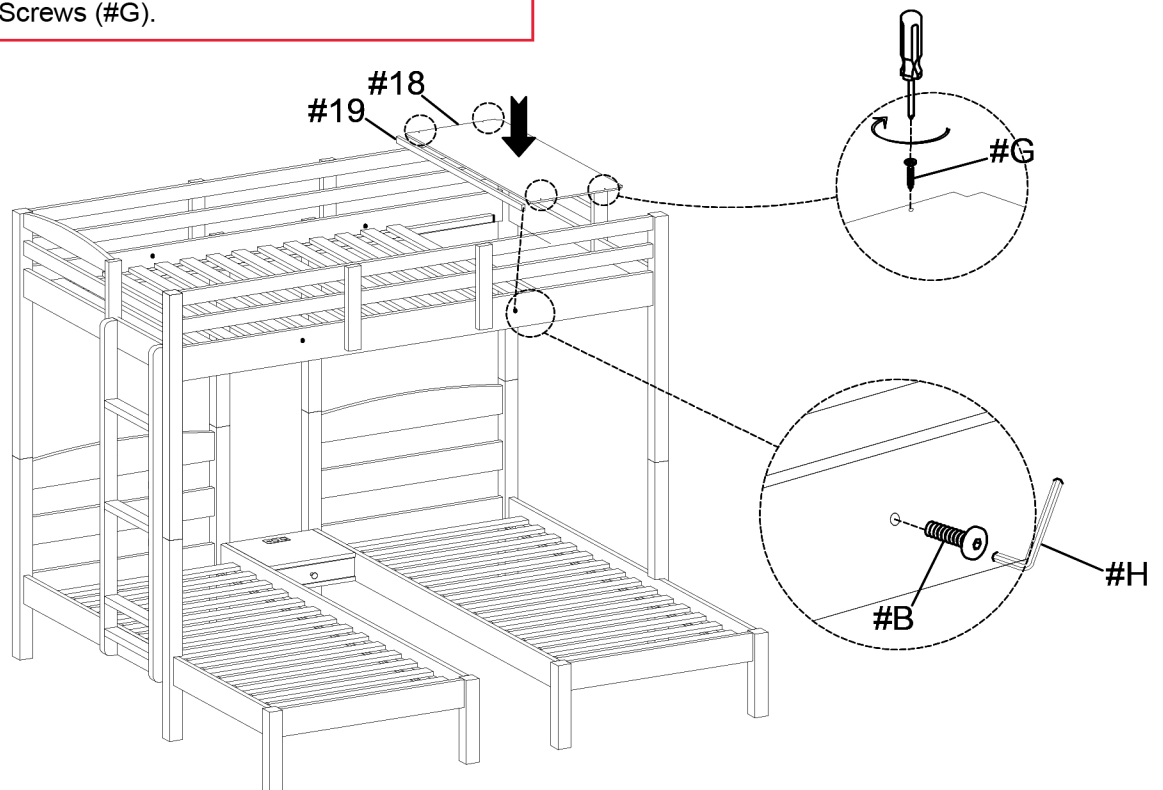
Part #13 x3set
Hardware #G x78pcs



12

Align the support slat (#19) to the top bunk and secure using Short Bolt (#B). Place the Panel Slat (#18) over and secure using Screws (#G).

Part #18 x1pc
Part #19 x1pc
Hardware #B x2pcs
Hardware #G x4pcs

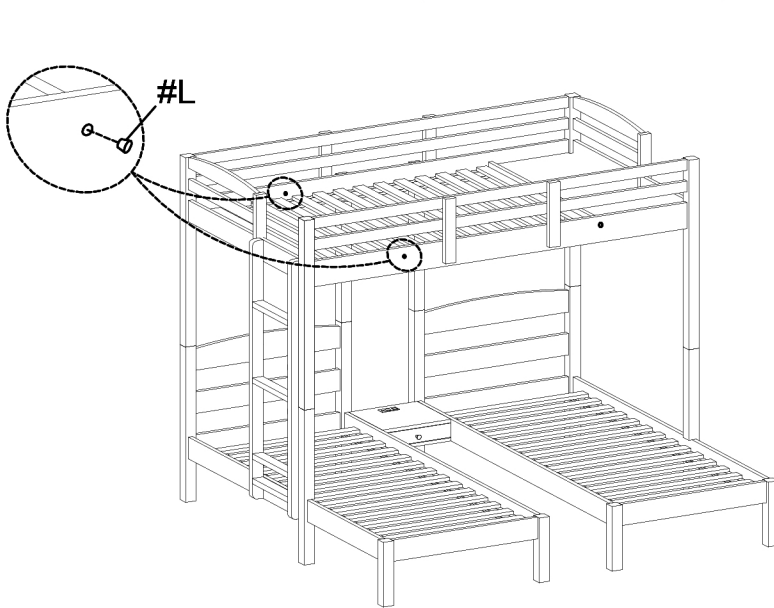


ASSEMBLY INSTRUCTIONS

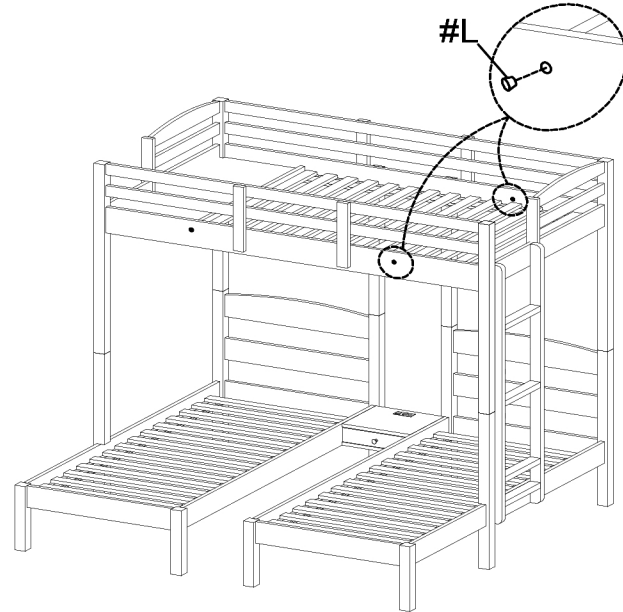
13

Hardware (#L) x2pcs

Use Wooden plug (#L)
to cover the visible
bolts.

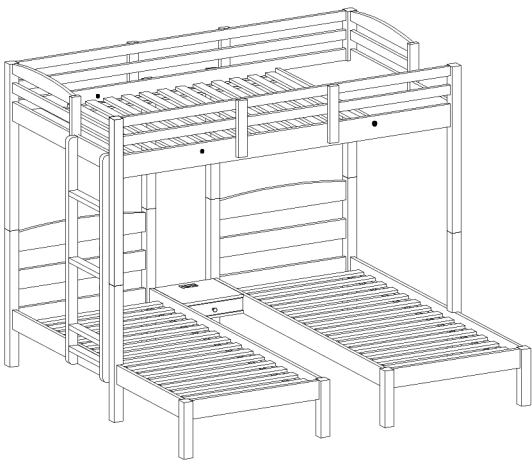


option 1

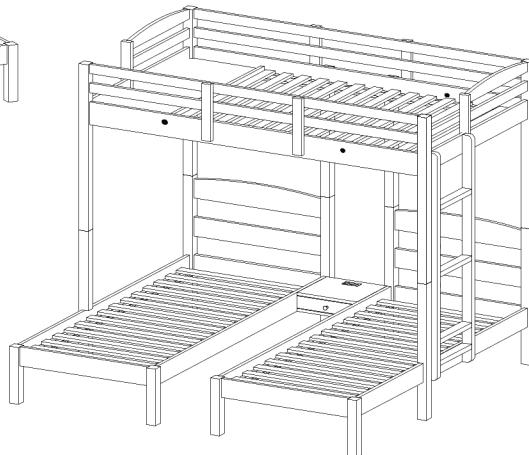


option 2

14



option 1



option 2

ASSEMBLY COMPLETED



Please ensure the furniture rests on an even and flat surface. If the product wobbles or feels loose, double-check all bolts and/or screws are properly tightened and secured.



Keep this handy!

Please retain this instruction manual and any order-related information for future reference.



Lift, don't drag!

To avoid damage to product please always LIFT the product when transporting or adjusting the placement.

Safety Warnings for Bunk Beds

1. Read and follow the information on the WARNINGS shown on the end structure of the upper bunk and on the carton.
2. Do not remove warning label from the bed.
3. Keep these instructions for future reference.
4. **IMPORTANT: Must use Bunkie mattress or Bunkie board.** The proper sizes for the **UPPER/LOWER TWIN-SIZE** Bunkie mattress or Bunkie board should be 74" long and 37½" - 38½" wide with no more than 6" thickness and for the **UPPER/LOWER FULL-SIZE** should be 74" long and 53" - 54" wide with no more than 6" thickness.
5. Surface of mattress must be at least 5 inches (127 mm) **BELOW** the upper edge of guardrails.
6. The **MAXIMUM** weight capacity for the upper bunk is not to exceed 175 lbs.
7. Do not allow children under 6 years of age to use the upper bunk.
8. Periodically check and ensure that the guardrails, ladder, handle and other components are in their proper position, free from damage, and that all connectors are tightened and secured.
9. **DO NOT** allow horseplay, rough playing or jumping on the beds and do not allow playing or hiding under the beds.
10. Always use the ladder for entering or leaving the upper bunk.
11. Do not use substitute parts. Contact the manufacturer or dealer for replacement parts.
12. Use of a nightlight may provide added safety precaution for a person using the upper bunk.
13. Always use the guardrails on both sides of the upper bunk.
14. If the bunk bed will be placed next to a wall, the guardrail that runs the full length of the bed should be placed against the wall to prevent entrapment between the bed and the wall.
15. The use of water or sleep flotation mattresses is prohibited.
16. No more than one person is allowed on the upper bunk at all times.



WARNING: STRANGULATION HAZARD

Never attach or hang objects to any part of the bunk bed that are not designed for use with the bed. Objects such as hanger, hook, belt, bag, rope, string, etc. should not be used on or around the bunk bed.