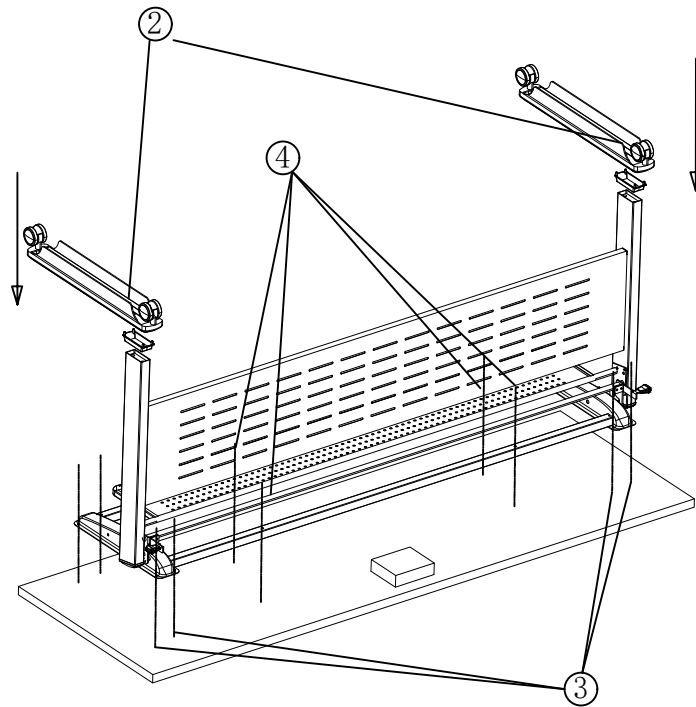
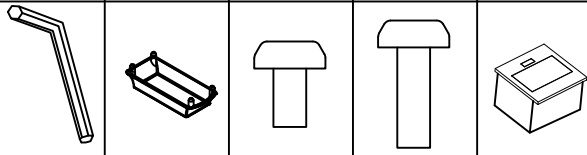


# ASSEMBLY INSTRUCTION

# FTT-C

① 1pc M8 wrench	② 2pcs	③ 8pcs M6*16H	④ 4pcs M6*35H	⑤ 1pc			
--------------------	--------	------------------	------------------	-------	--	--	--



- I -

- II -

