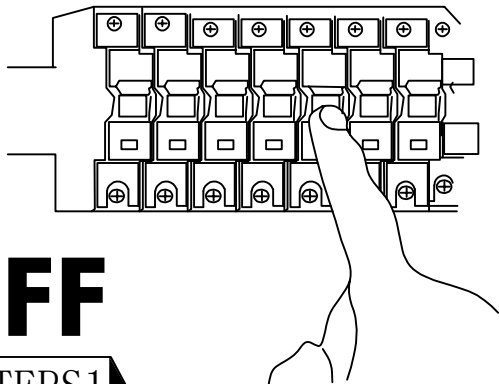


Installation sequence

1

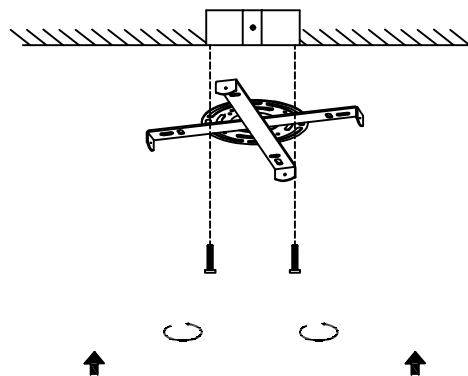


OFF

STEPS1

Turn off the power

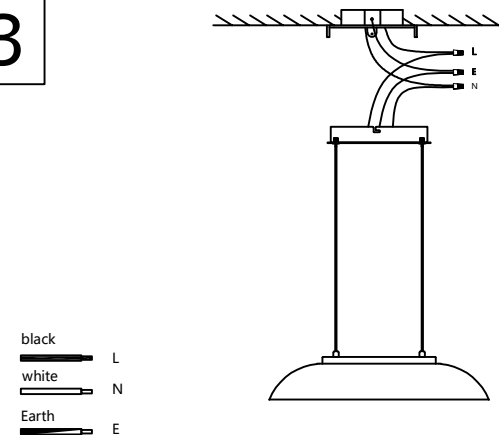
2



STEPS2

Install the hanging board

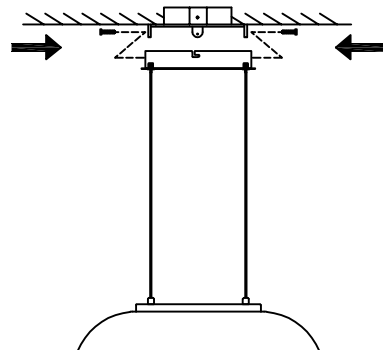
3



STEPS3

1. Connect the power cord of the lamp body to the reserved Power cord, pay attention to the positive and negative poles
2. Turn on the power and check if the light doesn't work. if the light doesn't work, please contact customer service.

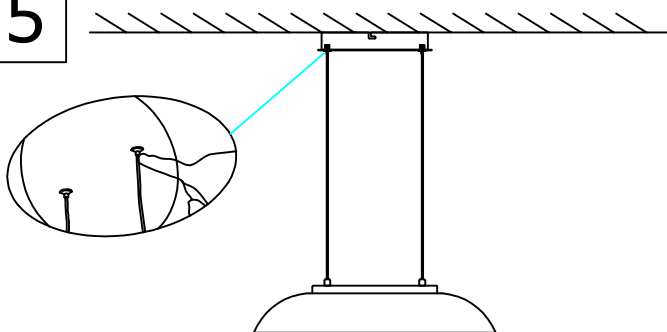
4



STEPS4

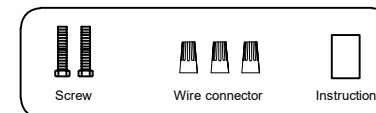
Fix the lamp body on the ceiling plate with screws

5



STEPS5

1. Press and hold the button to adjust the shape and height
2. Installation completed



Before installation, please check whether the accessories are complete. If you have any problem, please contact our customer service in time.

Note:

1. Voltage: 110-135V-60Hz
2. Bulb Type: LED
3. Before installation, please cut off the power supply to prevent electric shock.
4. Please be sure the installation step according to the company's instructions.