

Owner Manual



- 1.Note:This is not clothing storage cabinet and it is not recommended to use it as a clothing storage cabinet.
- 2.All cabinets come with TRO,stainless steel or our "L-Bracket" when shipped.

1. Thank you for choosing *our products*.

2. Return Policy



DO NOT RETURN TO THE STORE! Skip the process of returning your product and contact us directly for a replacement

If you find that parts of your order are missing or damaged, we will gladly ship any needed replacement parts free of charge.

If your product's quality does not meet your expectations or you have found any sort of defect, please contact our customer service department and let us know the details of your order and any issues encountered, we will try our best to provide you with a solution. Feel free to also directly contact our manufacturer concerning needed replacement parts and they will be happy to help provide you with a solution or answer any questions you may have.

Recommendations Before Beginning Assembly



- Read instructions, cover to cover



- Have 2-4 adults on hand for assembly depending on product size



- Do not assemble directly on flooring or carpet



- Assemble on a clean non-marring surface (example: packing foam)



- Save all packaging until finished

3. Assembly Notice:

- If you encounter any problems during assembly and find that you cannot continue, rest assured we will help you solve the situation as soon as possible. Simply keep all of the parts of the product stored in a safe place and contact us immediately so we may assist you further.
- Once you have opened your package, remove all inner hardware packages and take the parts out. One by one, Place the parts out neatly in front of you, then refer to the instructions to ensure no parts are missing. If any pieces are found missing, please carefully look in the box first, as the hardware packaging might have torn making the

hardware spill in the box.

- Some key parts of your product may be stored and hidden inside of other parts. Please open any zippered or hook & loop storage compartments to remove all parts. (example: cushions and legs being stored in the underside of a sofa)
- **IMPORTANT:** When setting up your product, **DO NOT INSTALL THE SCREWS ALL THE WAY IN THE BEGINNING.** Place each screw into their proper hole and use your hand to twist the screw halfway. Twist all the screws in halfway to ensure the holes will match up properly and the product is level on the ground. When everything seems fitted, then tighten the screws.
- When you have completed assembly, we suggest you have more than one person to assist you with lifting and placing the product.

Care & Maintenance

-  Do not put hot items directly on furniture surface
-  Do not clean furniture with harsh cleansers or polish
-  Do not place furniture under direct sunlight
-  Do not place furniture near heating or cooling vents
-  Do not write on furniture without a padded barrier to protect the surface
-  Do not place furniture outside. For indoor use only
-  Not for commercial use. For residential use only
-  Stains may be removed with mild soap solution and damp cloth
-  Children should not climb or jump on the furniture
-  Dust and pick-up spills using a clean, non-colored, lint-free cloth

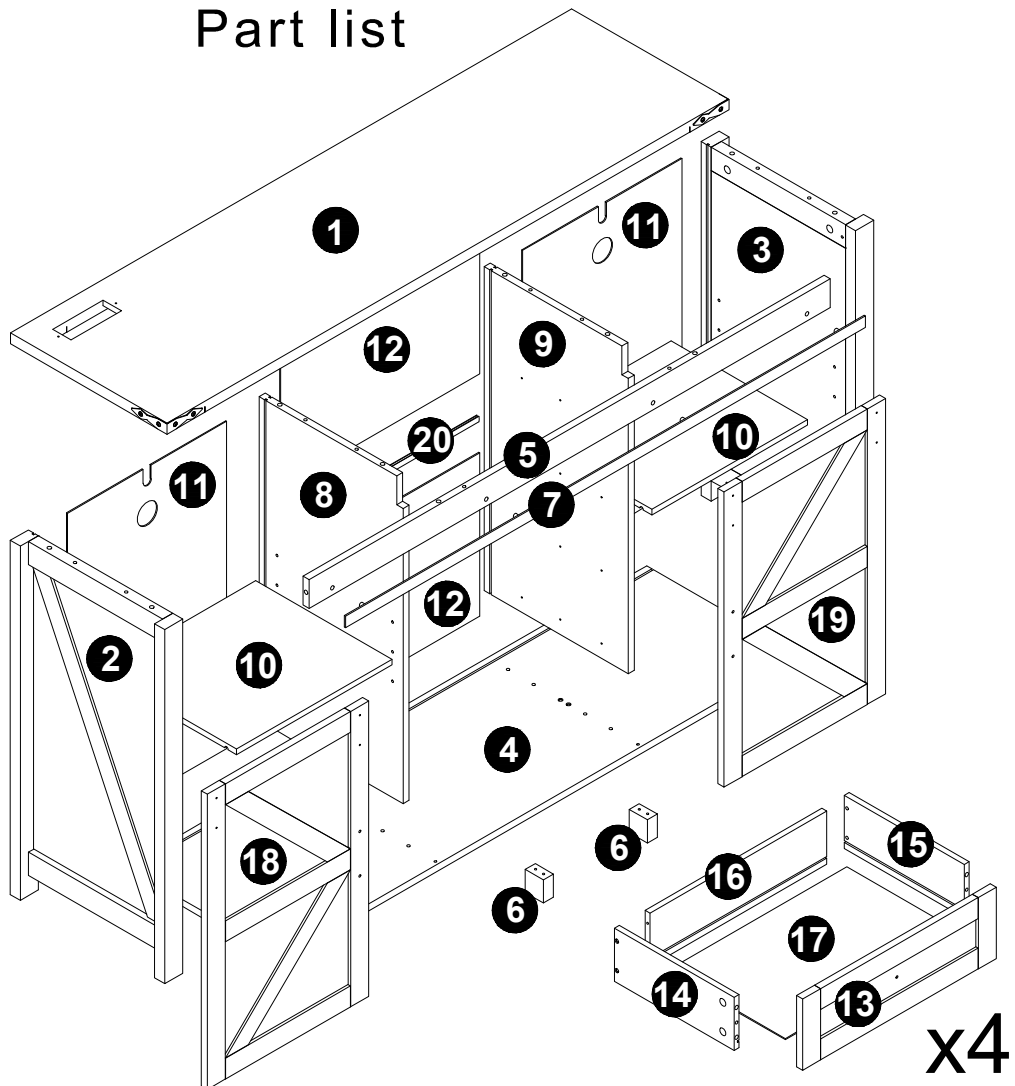
Caution

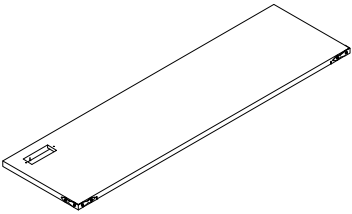
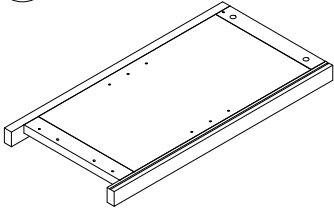
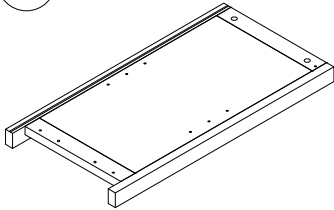
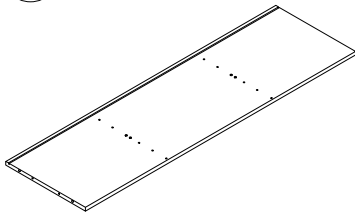
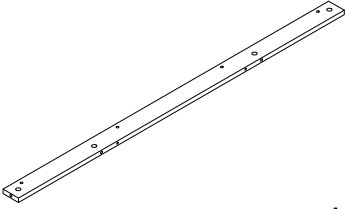
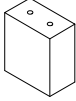
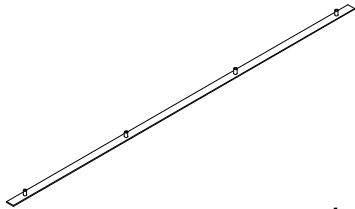
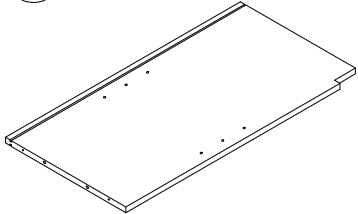
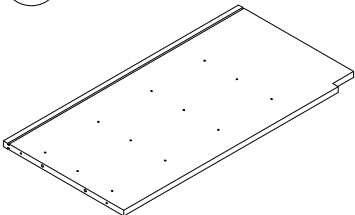
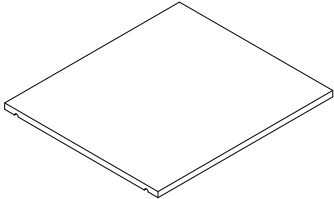
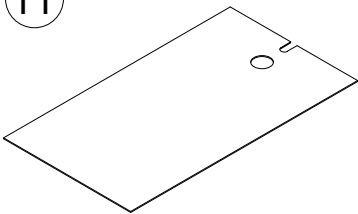
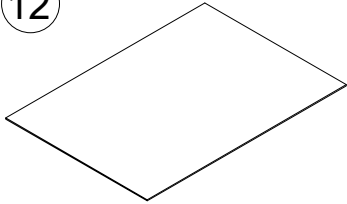
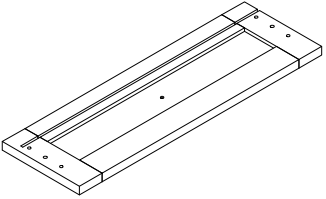
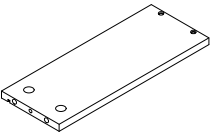
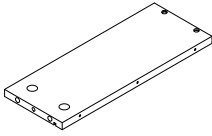
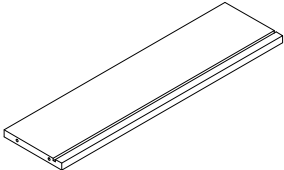
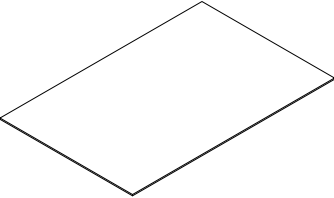
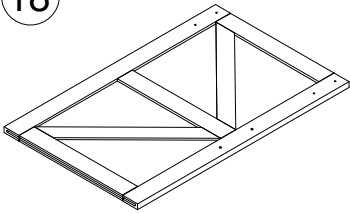
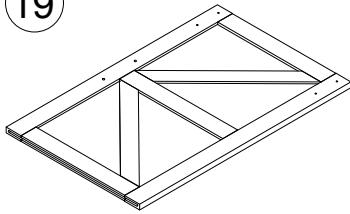
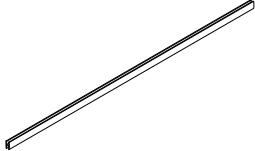
- This product contains small components. Please ensure that they are kept away from small children.
- Do not use power tools to assemble your furniture. Power tools may strip or damage the parts.

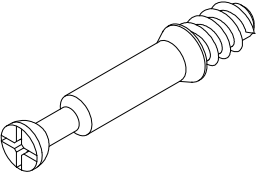
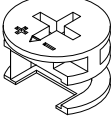
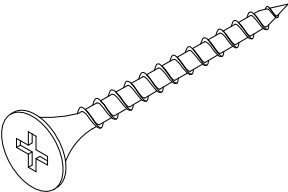
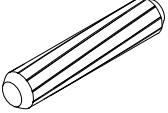
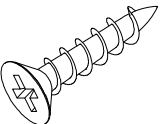
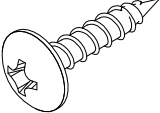
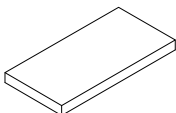
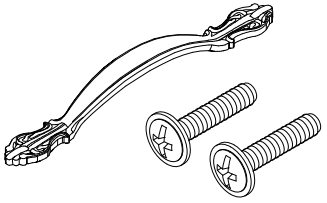
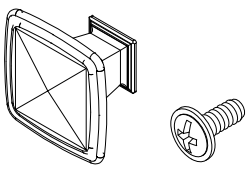
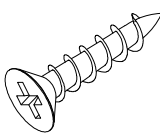
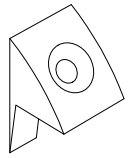
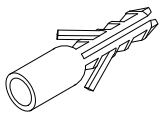
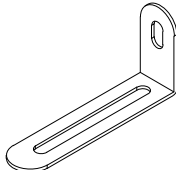
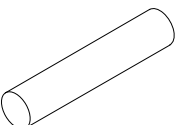
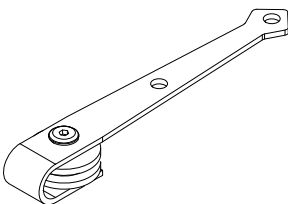
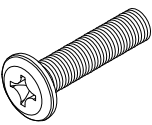
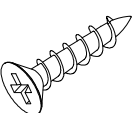
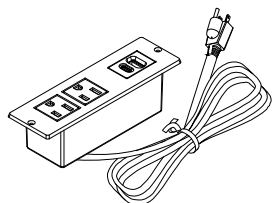
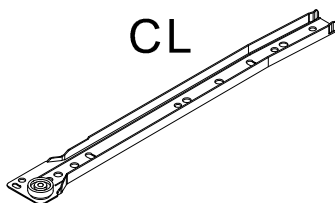
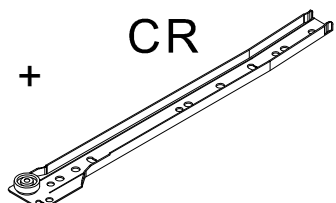
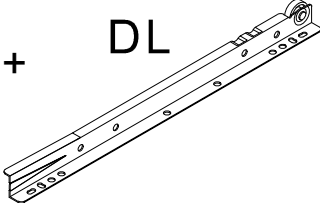
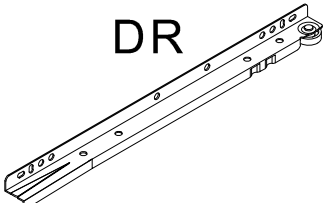




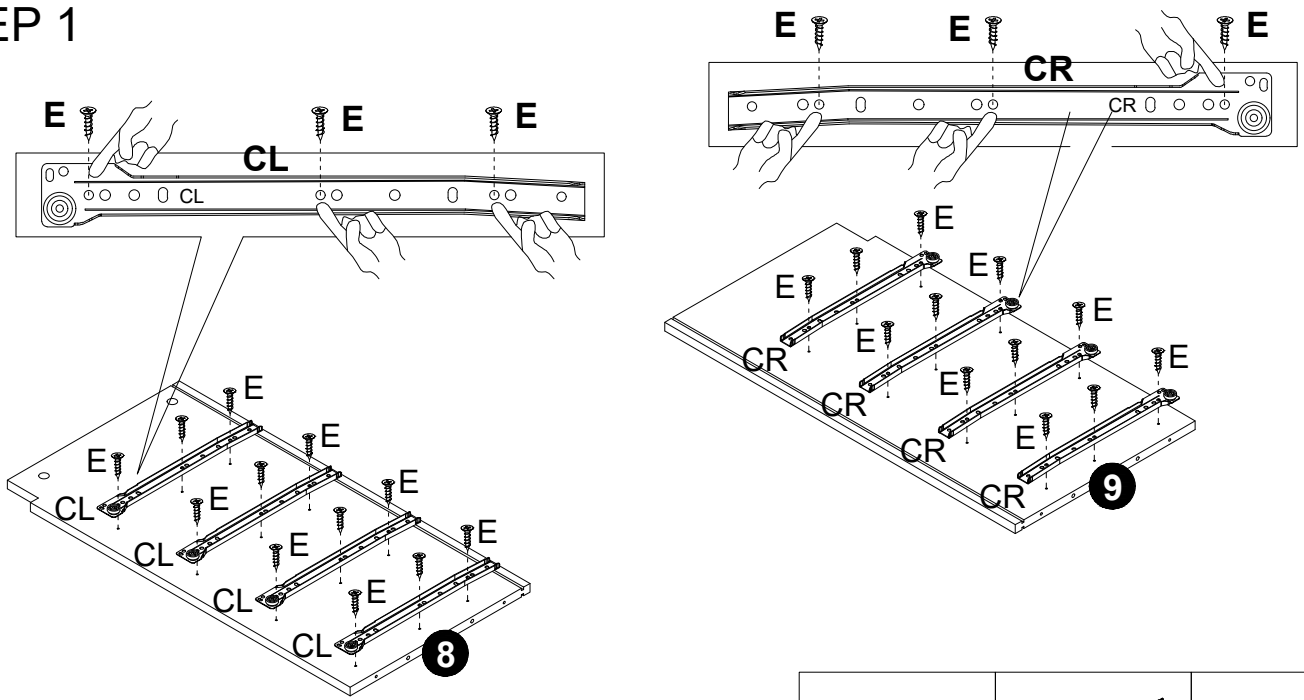
Part list

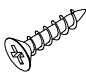
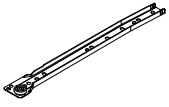
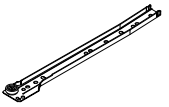


<p>1</p>  <p>x1</p>	<p>2</p>  <p>x1</p>	<p>3</p>  <p>x1</p>	<p>4</p>  <p>x1</p>
<p>5</p>  <p>x1</p>	<p>6</p>  <p>x2</p>	<p>7</p>  <p>x1</p>	<p>8</p>  <p>x1</p>
<p>9</p>  <p>x1</p>	<p>10</p>  <p>x2</p>	<p>11</p>  <p>x2</p>	<p>12</p>  <p>x2</p>
<p>13</p>  <p>x4</p>	<p>14</p>  <p>x4</p>	<p>15</p>  <p>x4</p>	<p>16</p>  <p>x4</p>
<p>17</p>  <p>x4</p>	<p>18</p>  <p>x1</p>	<p>19</p>  <p>x1</p>	<p>20</p>  <p>x1</p>

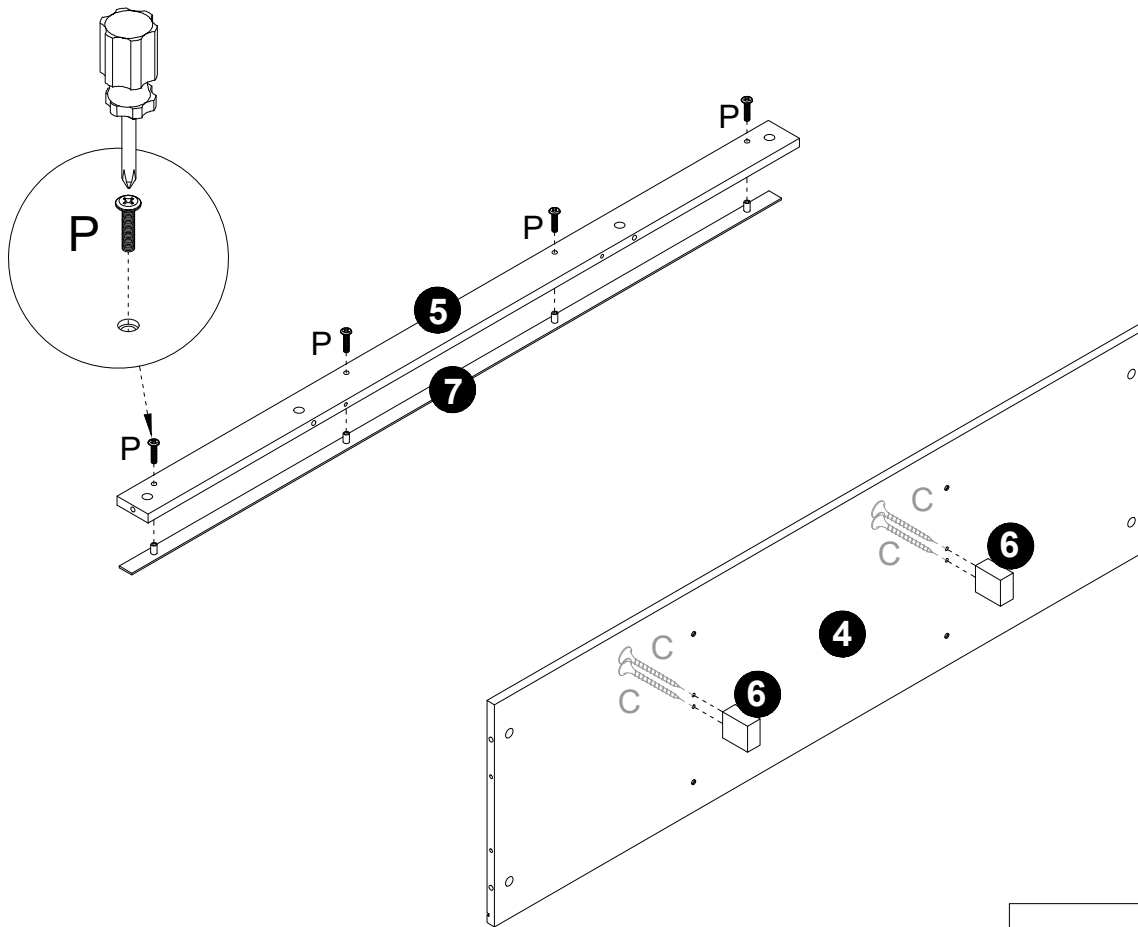
			
Ø6*35mm	Ø15*9mm	4x40mm	6x30mm
Ax32	Bx32	Cx26	Dx26
			
3x12mm	4x14mm	40x20mm	4x18mm
Ex48	Fx10	Gx6	Hx2
			
4x6mm	3x14mm		6x30mm
Ix4	Jx12	Kx12	Lx2
			
	5x20mm		6x25mm
Mx2	Nx10	Ox4	Px4
			
3.5x12mm			
Qx2	Rx1		
			
300mm			
			x4

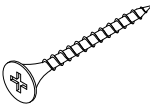

STEP 1



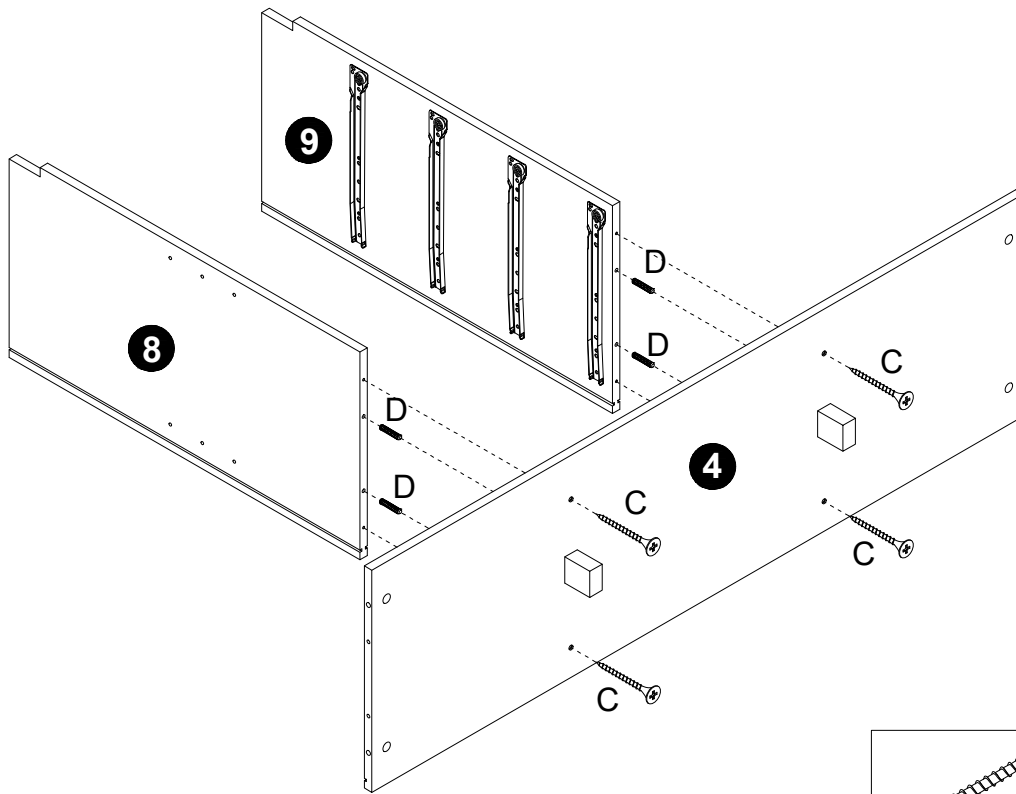
		
3x12mm		
Ex24	CLx4	CRx4

STEP 2

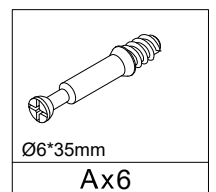
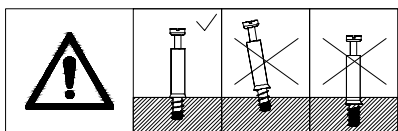
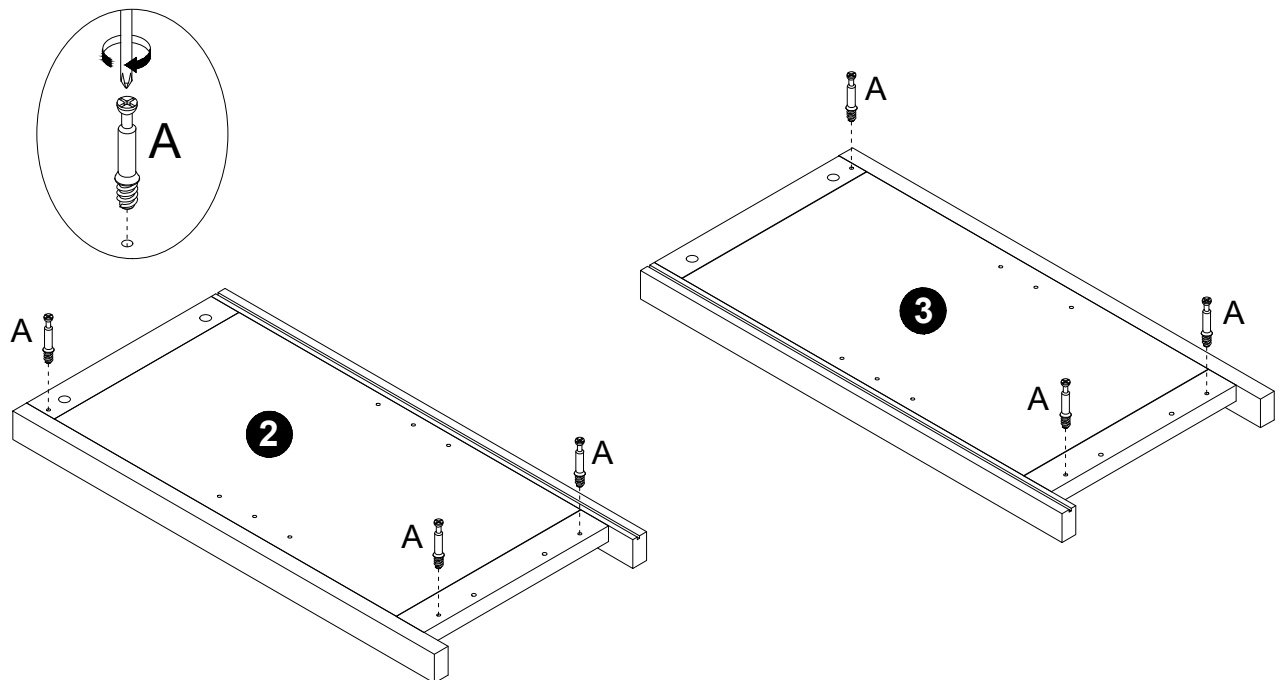


	
4x40mm	6x25mm
Cx4	Px4

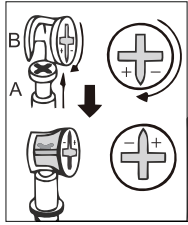
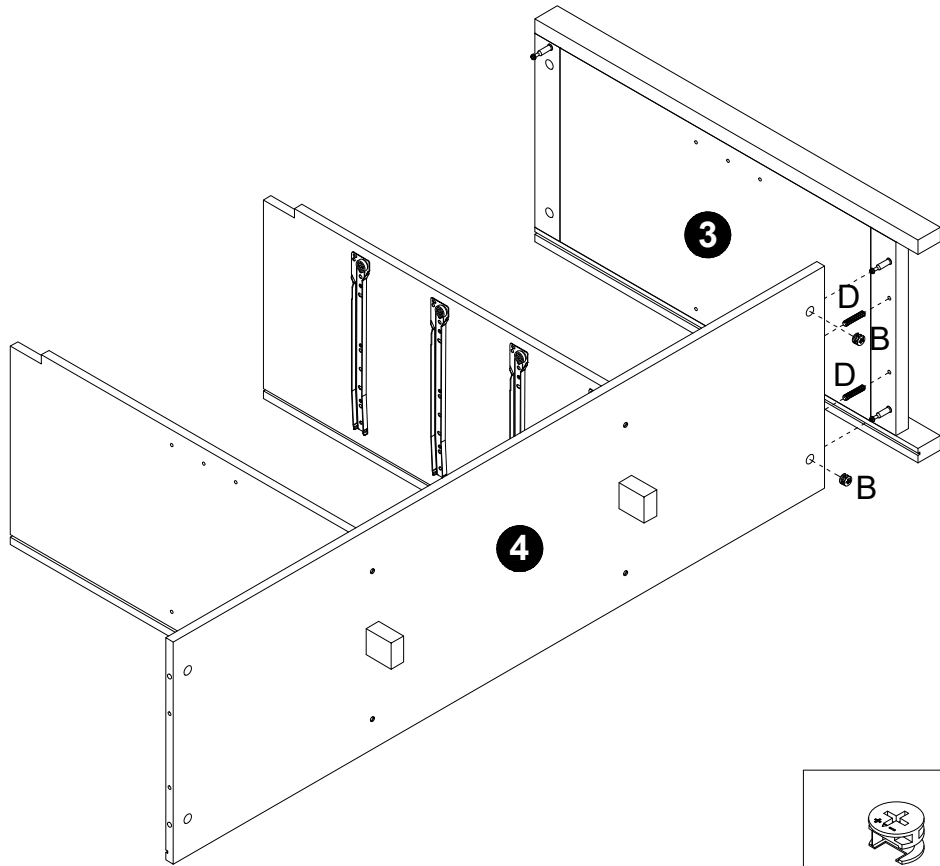
STEP 3


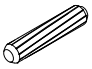


STEP 4

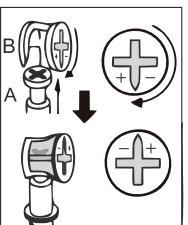
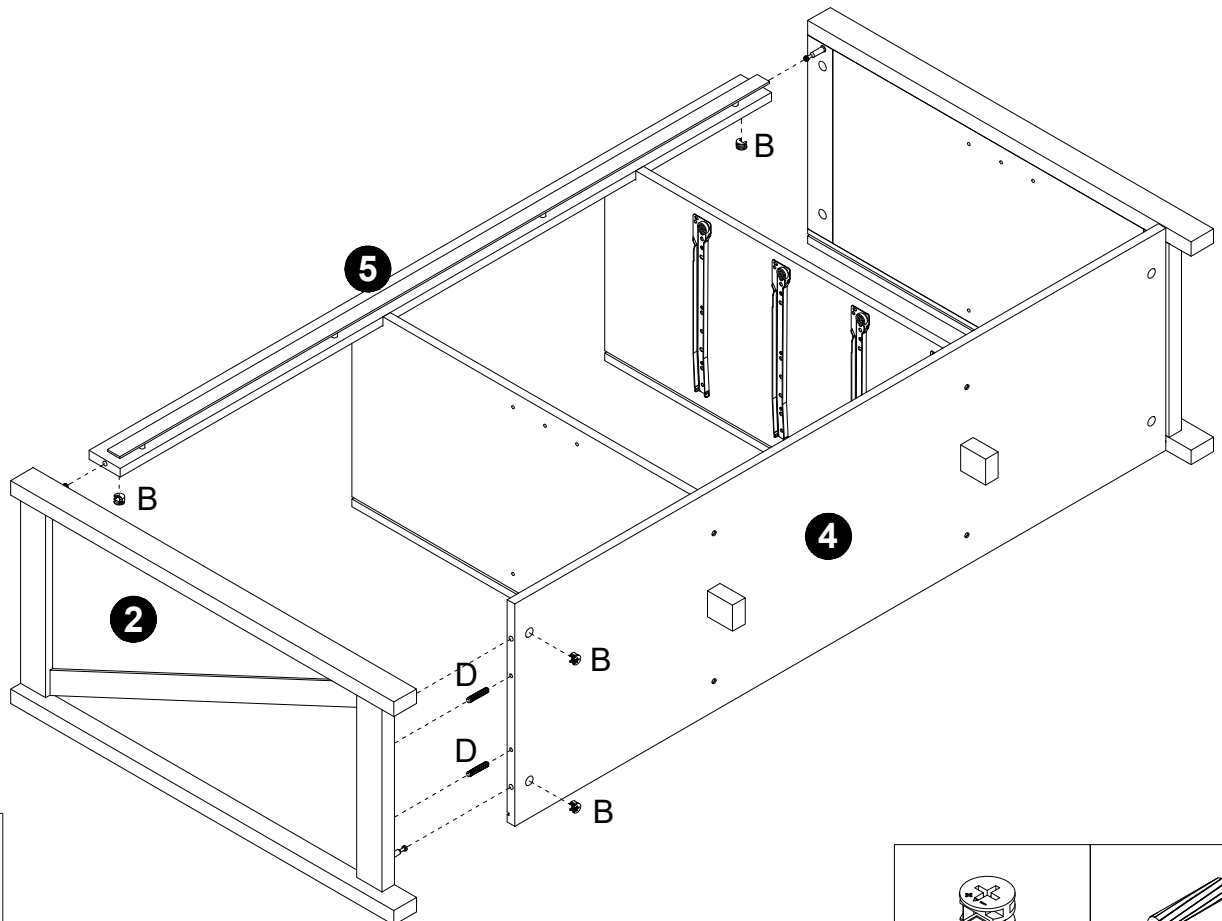



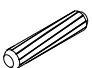
STEP 5



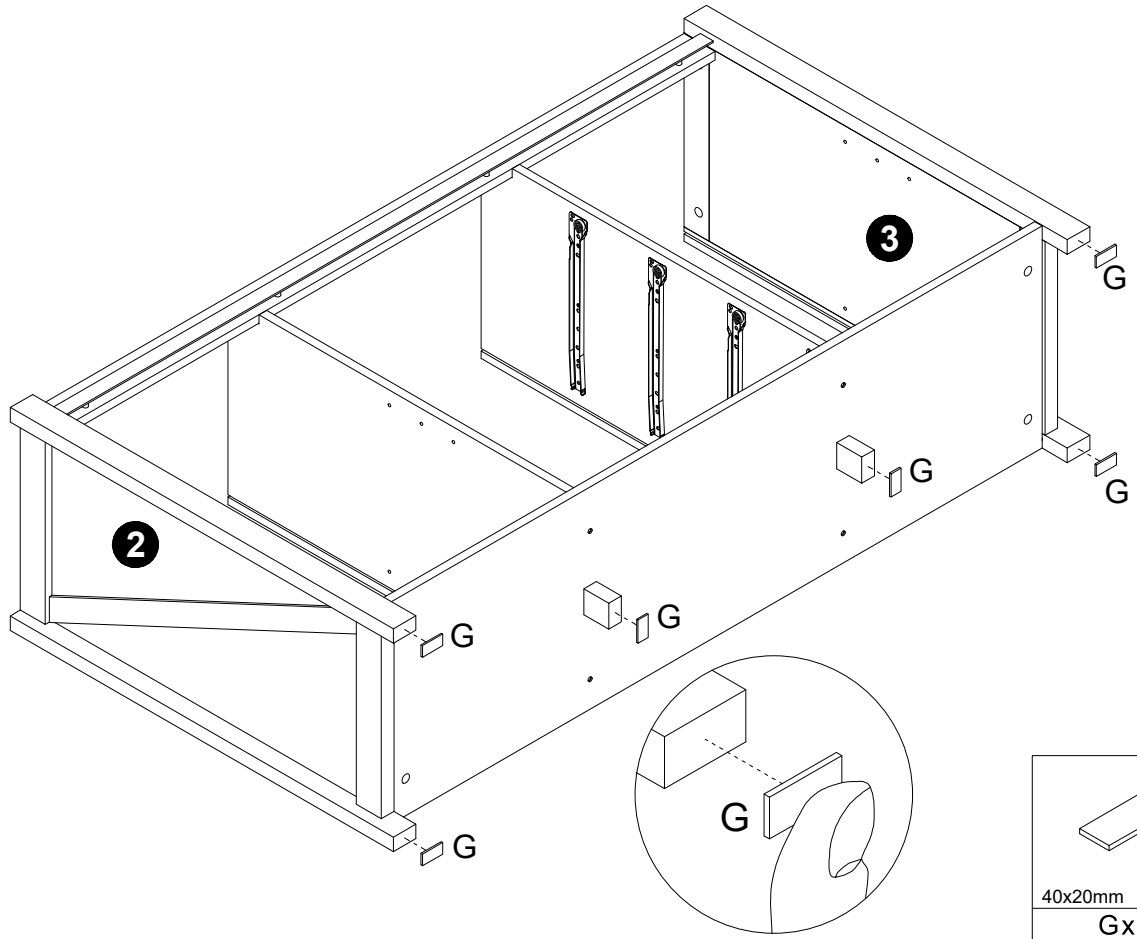
	
Ø15*9mm	6x30mm
Bx2	Dx2

STEP 6

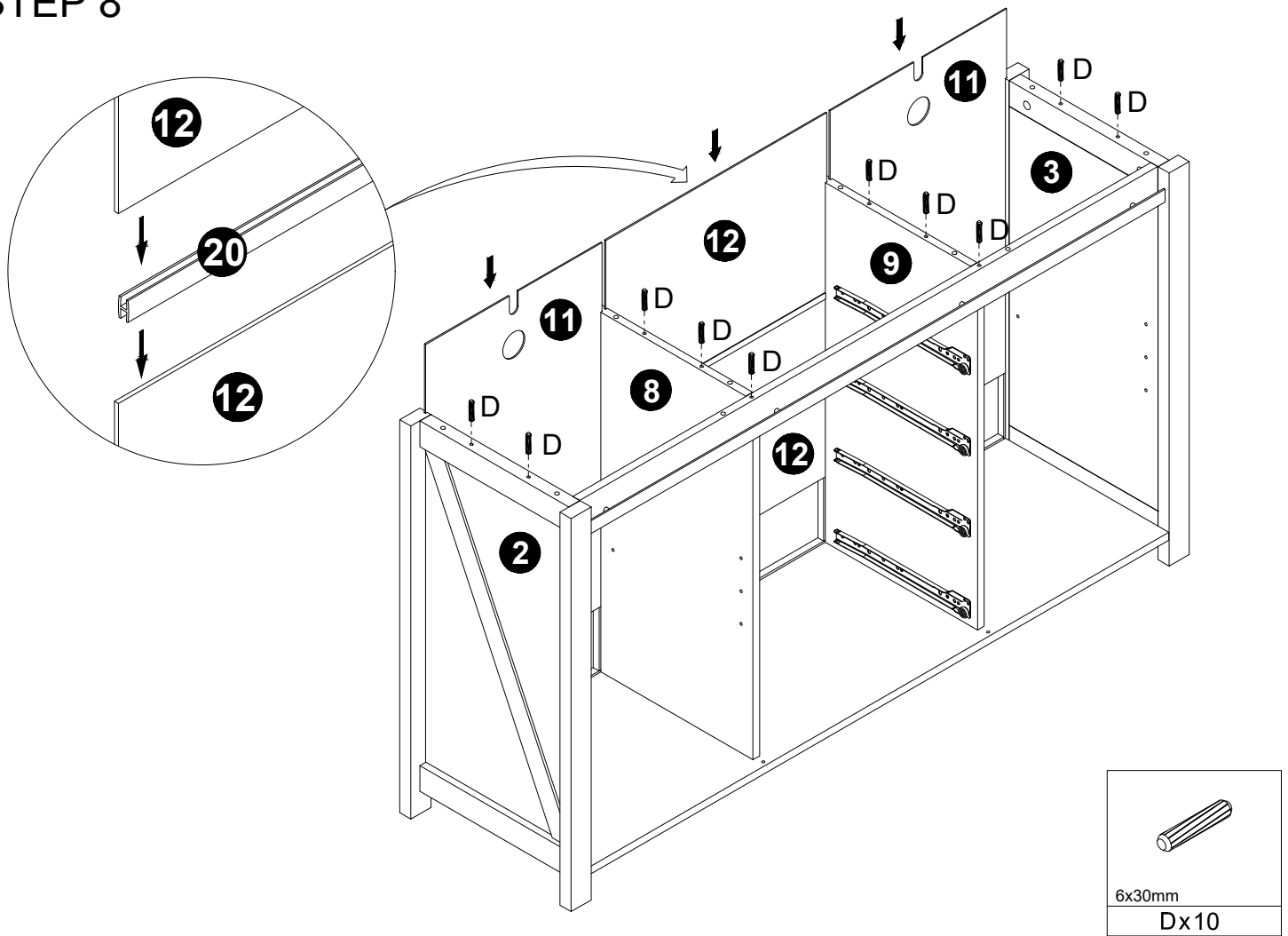


	
Ø15*9mm	6x30mm
Bx4	Dx2

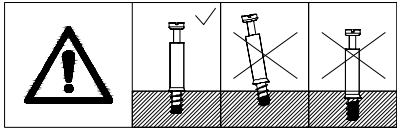
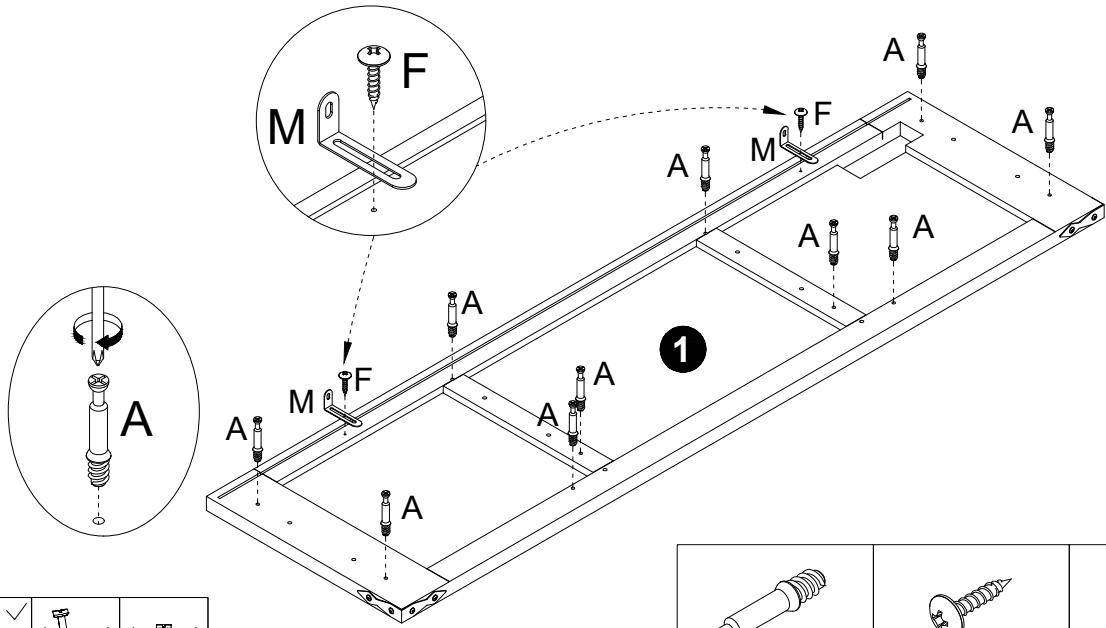
STEP 7

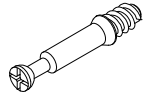
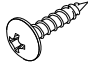



STEP 8

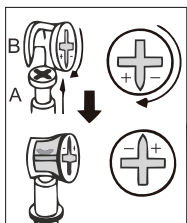
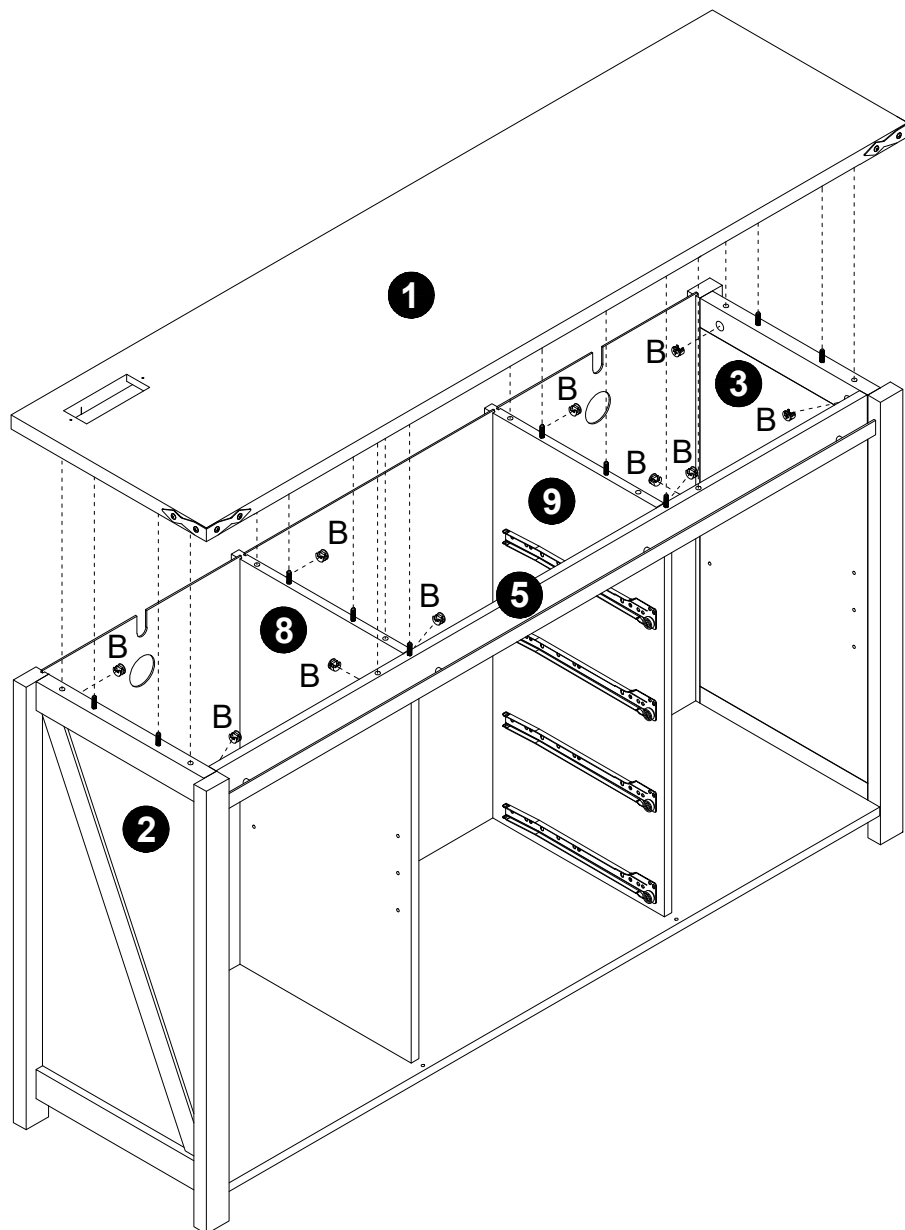



STEP 9



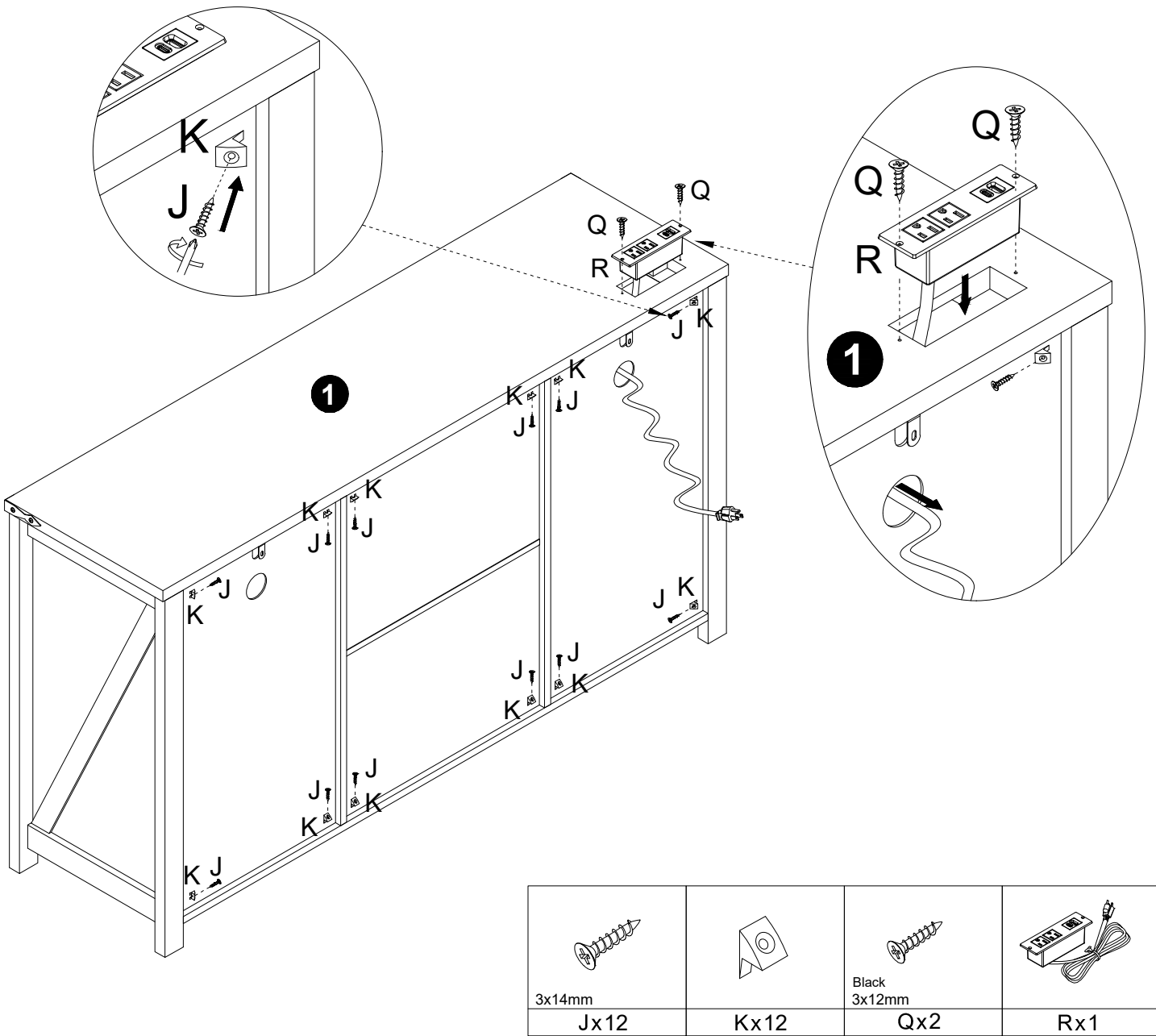
		
Ø6*35mm	4x14mm	
Ax10	Fx2	Mx2

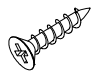



STEP 10



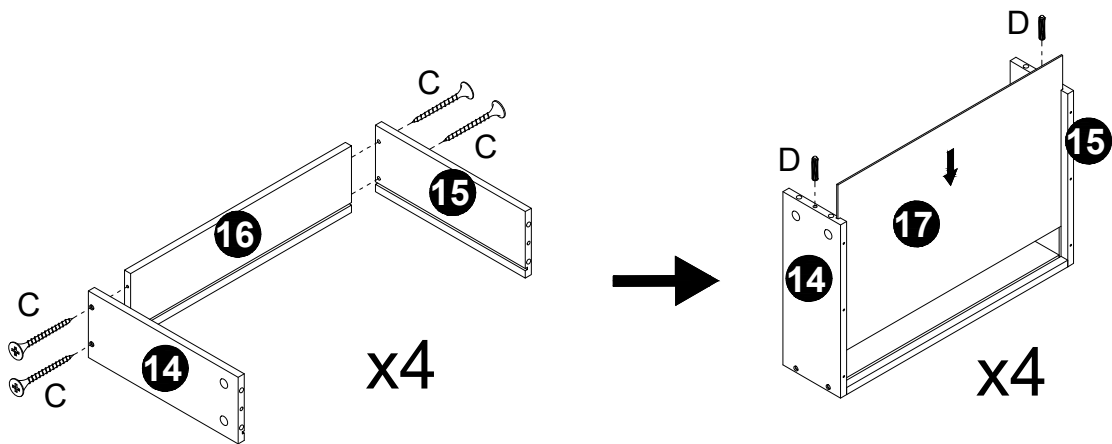

Ø15*9mm
Bx10

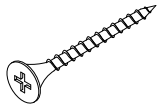
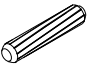
STEP 11



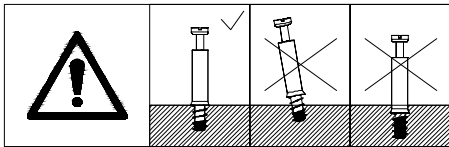
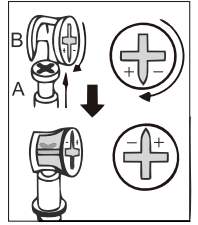
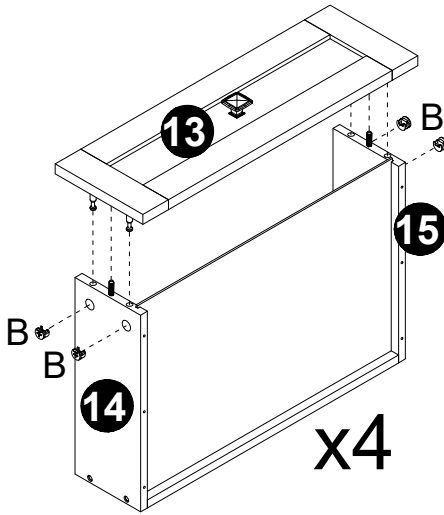
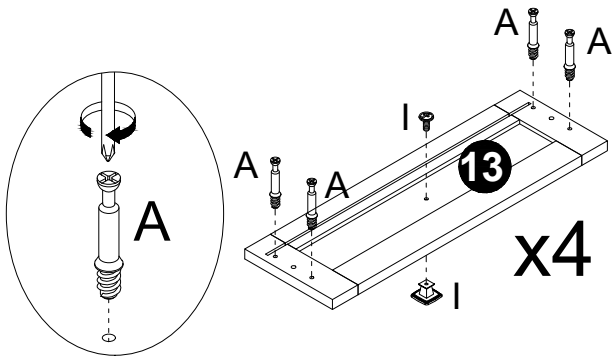
			
3x14mm Jx12	Kx12	Black 3x12mm Qx2	Rx1

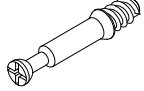

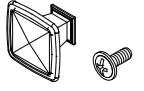
STEP 12



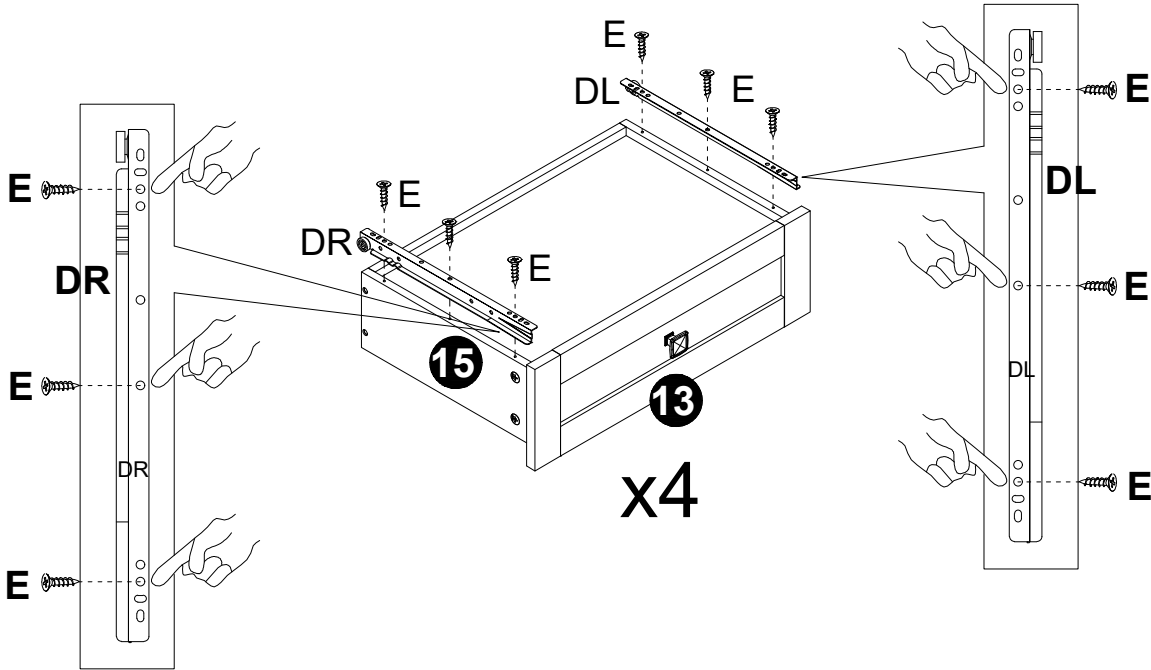
	
4x40mm Cx16	6x30mm Dx8

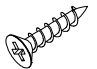
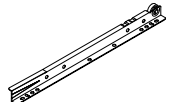
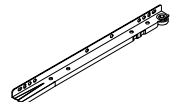
STEP 13



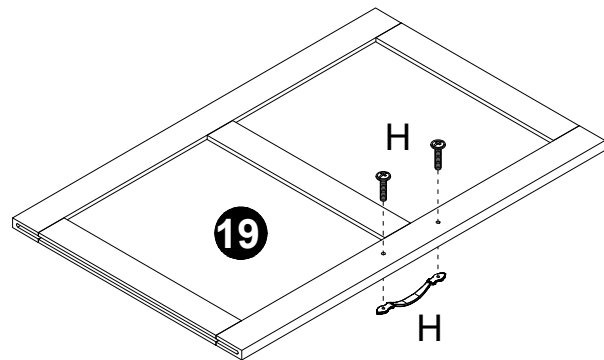
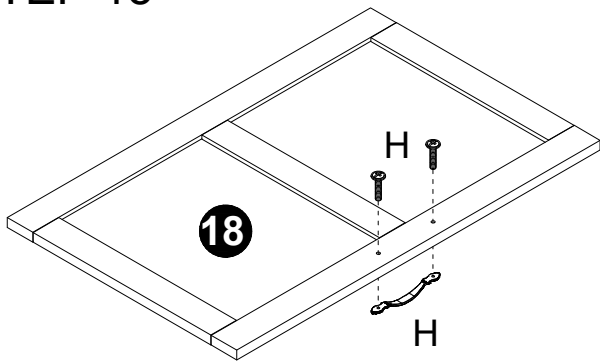
		
Ø6*35mm	Ø15*9mm	4x6mm
Ax16	Bx16	Ix4

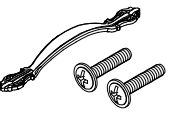
STEP 14



	3x12mm
	Ex24
	DLx4
	DRx4

STEP 15



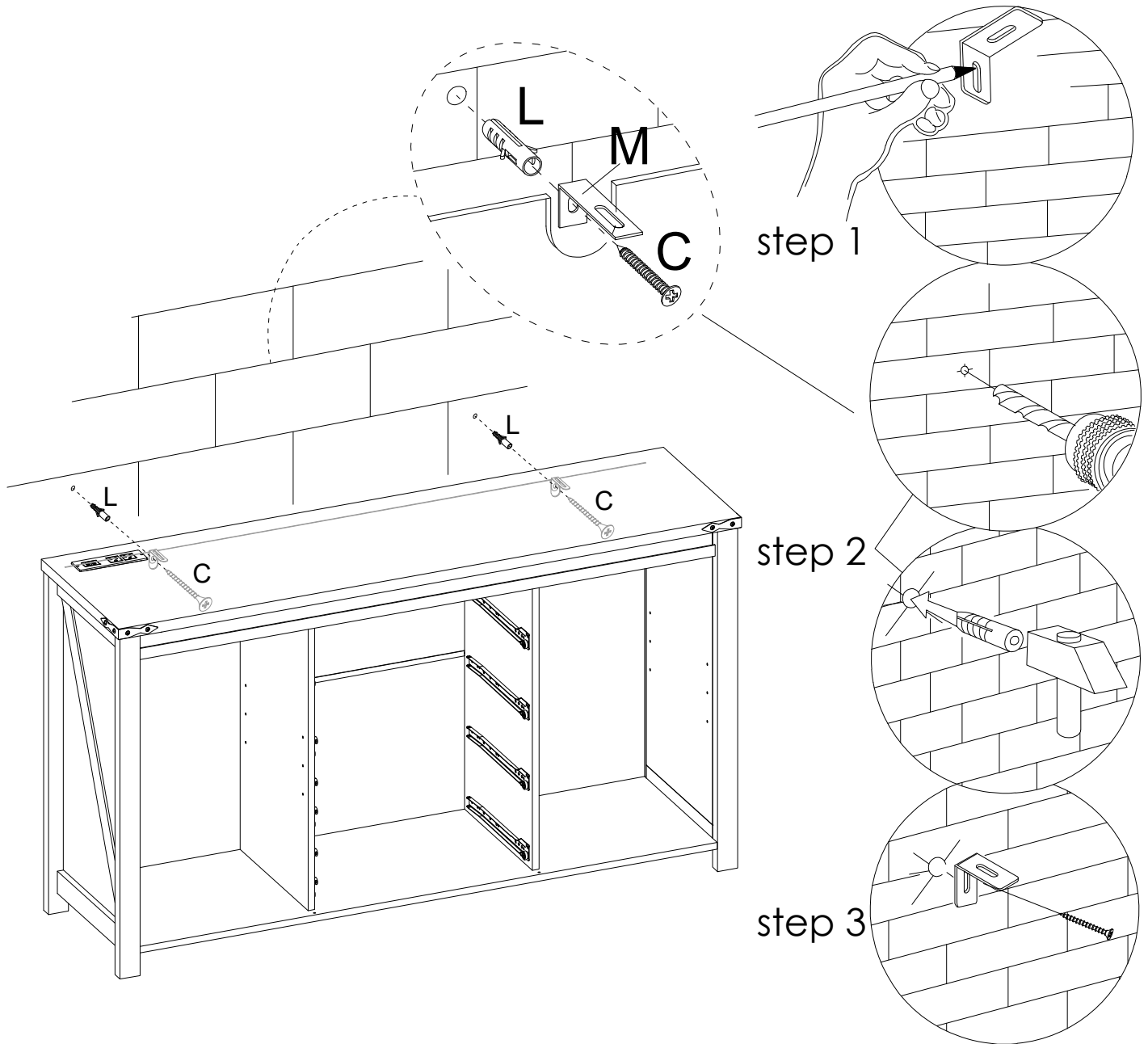
	4x18mm
	Hx2

STEP 16

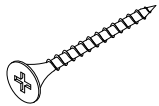
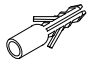
Step 1. Mark the position on the wall.

Step 2. Drill and insert the expandable screw L by hammer.

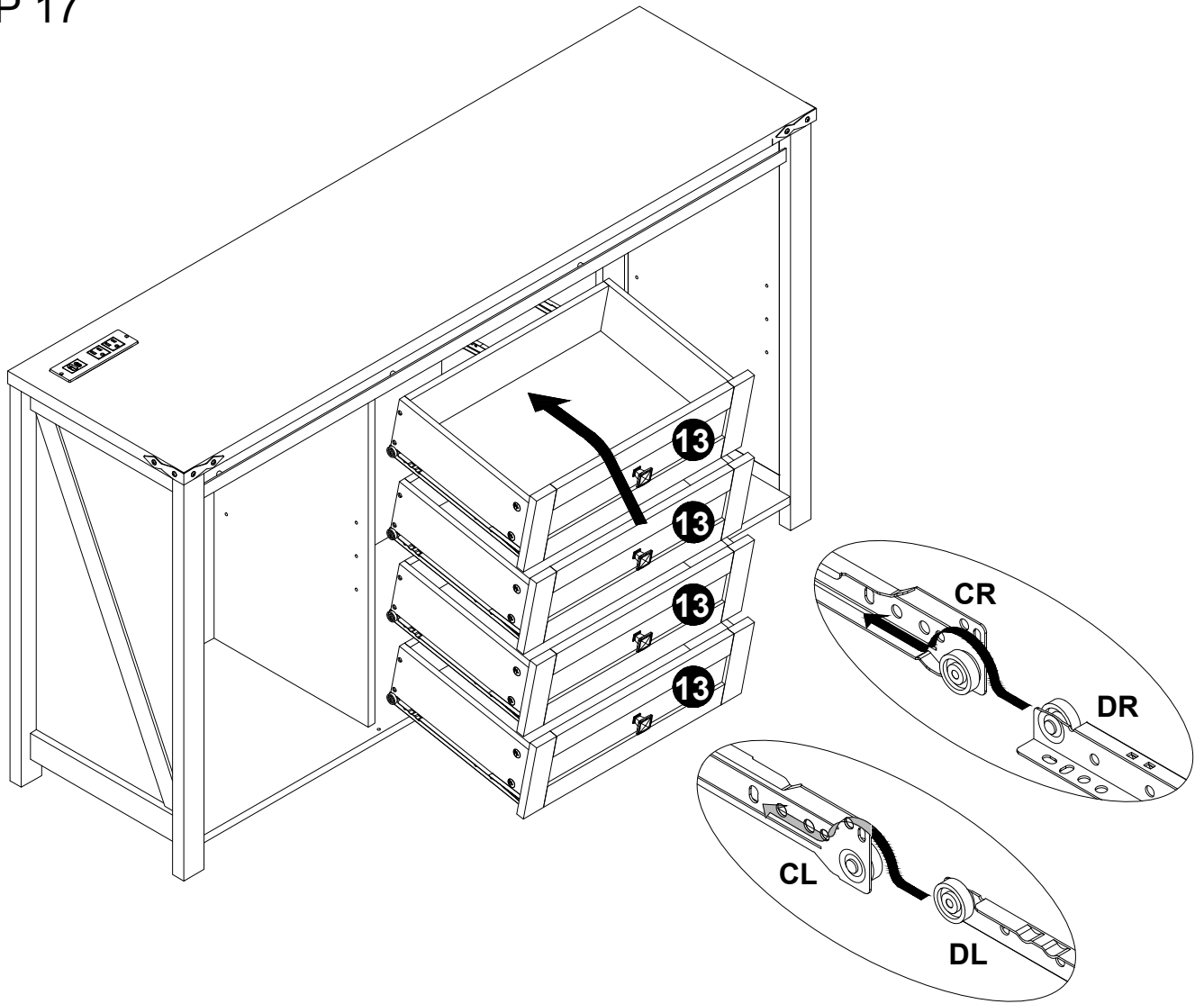
Step 3. Use screw C to attach it and tighten by screwdriver.



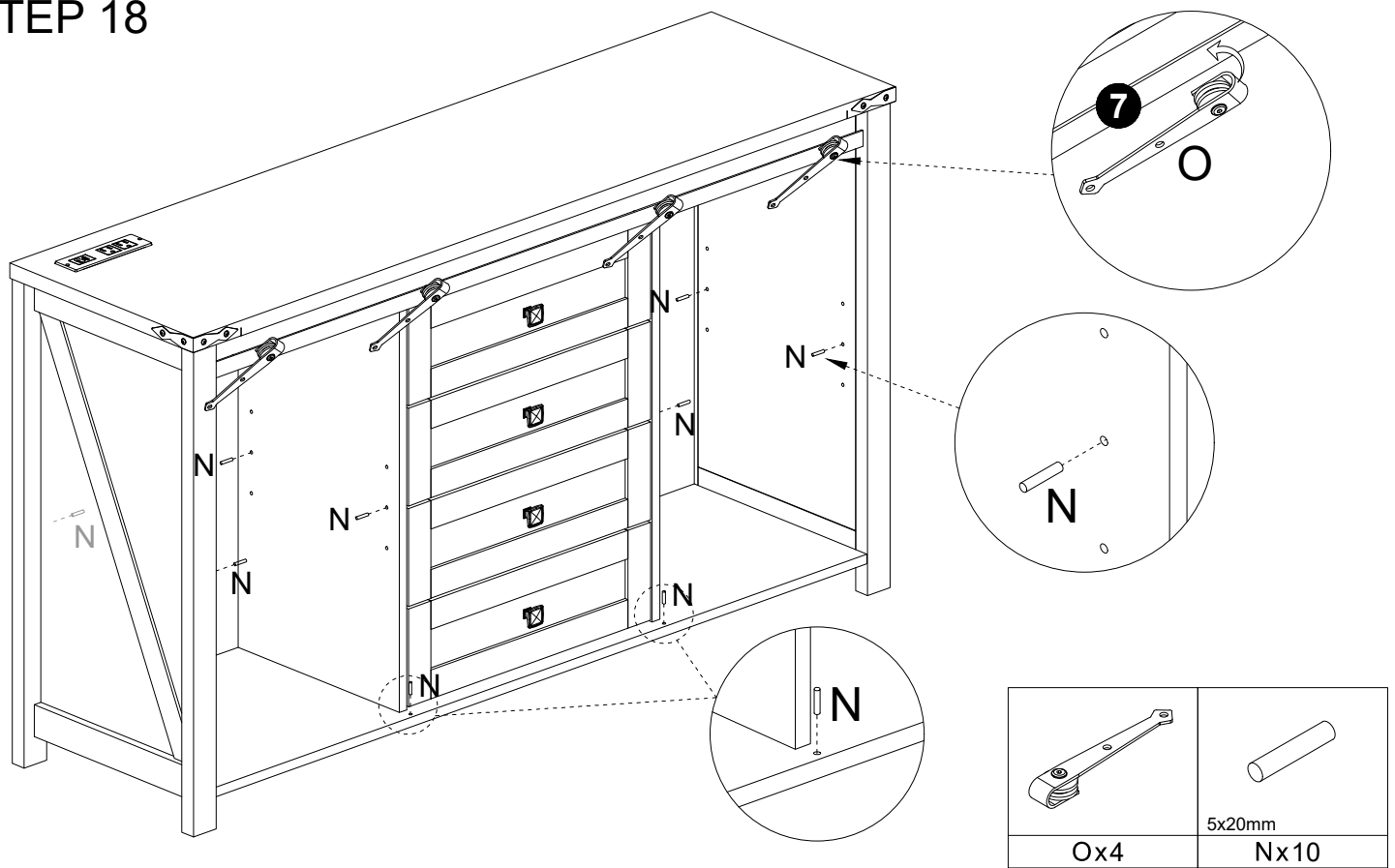
If it is a solid wall, please use expansion and self-tapping screws to secure the cabinet to the wall, if it is a wooden wall, only use self-tapping screws. Please don't overtighten screws.

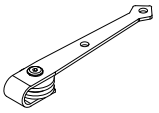
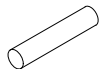
	
4x40mm	6x30mm
Cx2	Lx2

STEP 17

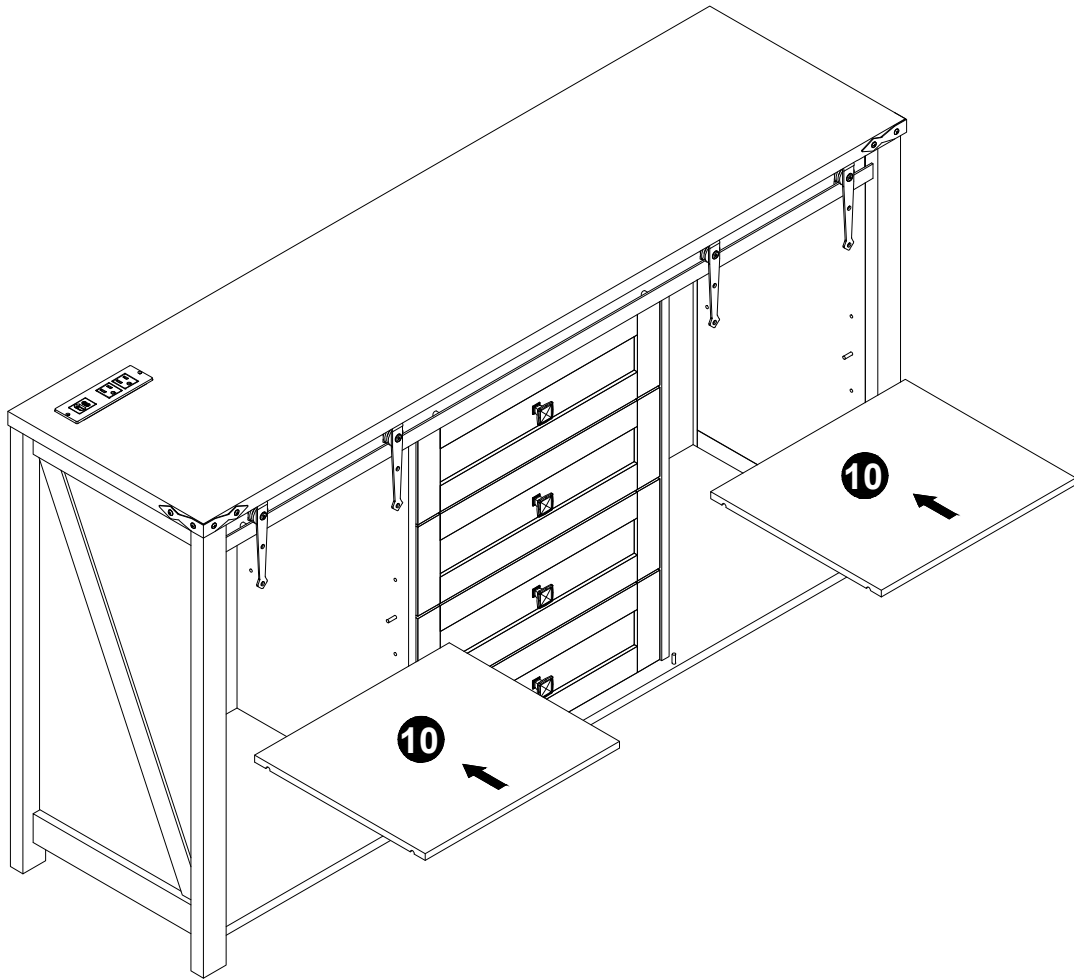


STEP 18



	
Ox4	5x20mm Nx10

STEP 19



STEP 20

