

LIMITED WARRANTY

Most products or parts carry "Limited Warranties" against manufacturing defects.

For full WARRANTY information please contact House of Rohl or visit: houseofrohl.com

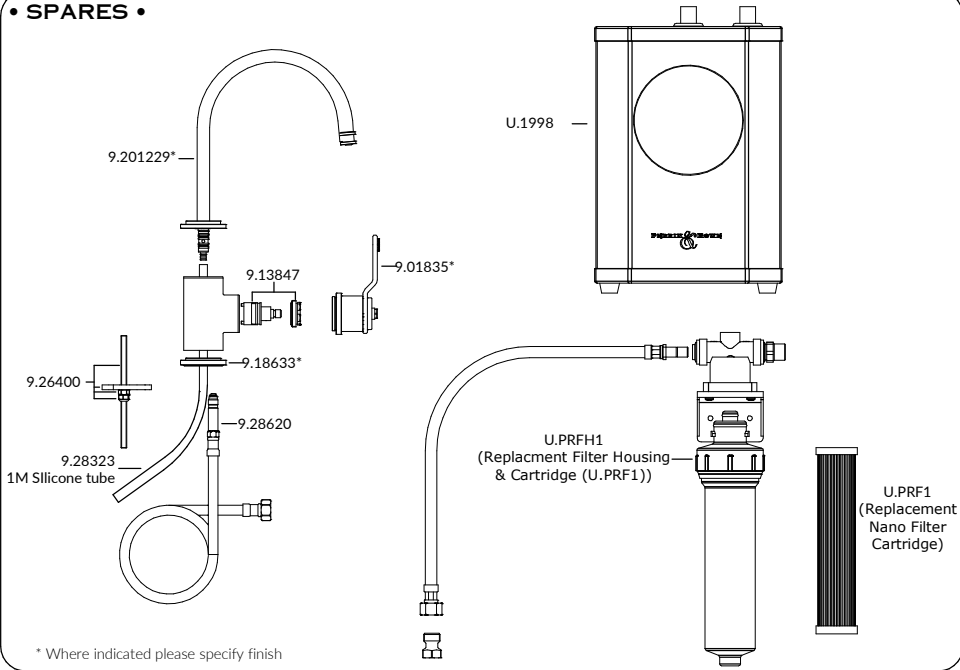
Please contact the local retailer or showroom where you purchased this product for all warranty related claims.

CARE & MAINTENANCE

The finishing touch of every faucet is its exquisite surface. Each finish conveys the experience of luxury through a distinctively soft, warm, genuine feel in comparison to other products made with synthetic coatings.

No matter which finish you select, please visit: <https://houseofrohl.com/perrin-and-rowe/support/care-and-cleaning/> for complete care guide.

• SPARES •



Spares & Service



3 Parker Irvine CA 92618 1-(800)-777-9762
 820 rue Nobel Saint-Jérôme QC, J7Z 7A3 1-866-473-8442

www.houseofrohl.com www.houseofrohl.ca

Perrin & Rowe products are manufactured in England using quality materials, the latest technology and built to the highest standards.

We would like to thank you for purchasing this Perrin & Rowe product and invite you to view the comprehensive range of Perrin & Rowe product and invite you to view the comprehensive range of Perrin & Rowe tapware, shower fittings, bathroom accessories, soap dispensers and bathroomware.

Please contact us to receive our latest product catalogues or view them online at www.houseofrohl.com

Perrin and Rowe is a registered trademark.

9001833U Issue 1



IMPORTANT WARNING!!



PLEASE ENSURE THAT THE RECOMMENDED HEATER TANK UNIT (U.1998) AND FILTER KIT (U.1408) IS USED.

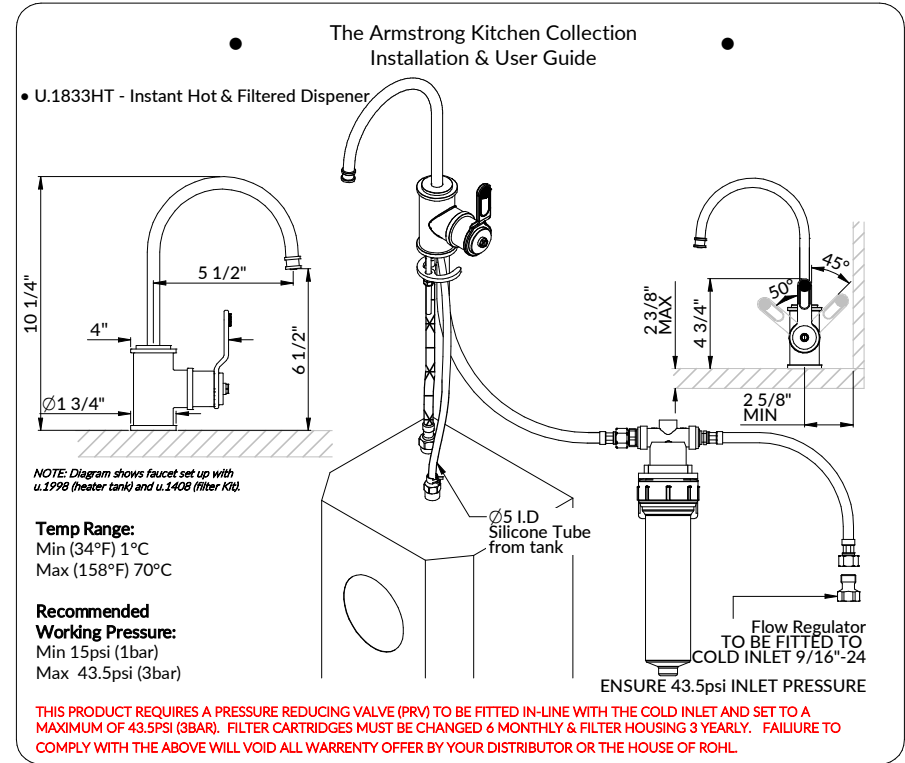
TO AVOID PRESSURISED BOILING WATER AND TO COMPLY WITH US REGULATIONS THIS IS AN OPEN VENTED PRODUCT.

DO NOT PLUG IN THE UNIT UNTIL ALL WATER CONNECTIONS HAVE BEEN MADE AND THE TANK HAS FILLED COMPLETELY THEN FLUSHED TO REMOVE AIR.

INSTANT HOT WATER TEMPERATURES CAN REACH 210°F. THE FAUCET IS DESIGNED WITH FEATURES TO MINIMISE RISK AND POTENTIAL INJURY; TWO ACTION OPERATION, SPRING BACK VALVE AND DELAYED DELIVERY; BUT SHOULD BE OPERATED OR SUPERVISED BY A RESPONSIBLE ADULT.

THIS PRODUCT REQUIRES A PRESSURE REDUCING VALVE (PRV) TO BE FITTED IN-LINE WITH THE COLD INLET AND SET TO A MAXIMUM OF 43.5PSI (3BAR). FILTER CARTRIDGES MUST BE CHANGED 6 MONTHLY & FILTER HOUSING 3 YEARLY. FAILURE TO COMPLY WITH THE ABOVE WILL VOID ALL WARRANTY OFFER BY YOUR DISTRIBUTOR OR THE HOUSE OF ROHL.

PLEASE READ AND FULLY UNDERSTAND THE HEATER TANK INSTRUCTIONS BEFORE USE.



**PERRIN & ROWE INDUSTRIAL KITCHEN COLLECTION
INSTALLATION & USER GUIDE**

Congratulations on the purchase of your Perrin and Rowe Kitchen product. Correctly installed and with sensible care, this product will give you many years of trouble free service.

• **IMPORTANT INFORMATION** •

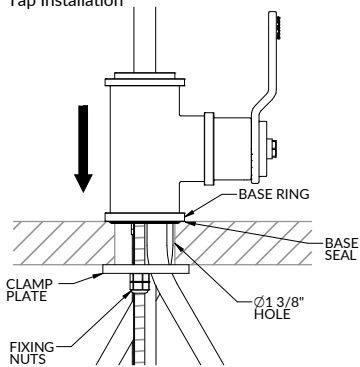
Please read carefully to ensure correct installation. Before you proceed... We recommend you engage the services of a registered plumber to install this product.

For ease of possible future servicing, we also recommend the fitting of conveniently placed isolating valves.

• **Preparation Check Box for Installer** •

- Flush the plumbing system before installing the kitchen product.
- Once unpacked remove Base Ring/Seal, Clamp Plate & Fixing Nuts ready for installation.

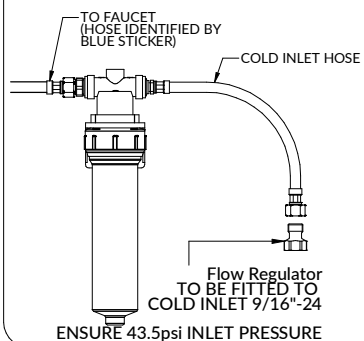
1 Tap Installation



- After removing fixing nuts & clamp plate on tap, feed all x3 hoses through worktop hole (Ø1 3/8")
- Ensure the base seal is in position between base ring and worktop. Ensure the faucet is orientated to the desired position and that there is no obstruction when the lever is in use.
- Ensure that the plastic sleeve located on the silicone tube is pushed up into the body of the tap, this will prevent any damage to the silicone tube.
- Secure tap with box spanner supplied

Please note: The rubber base seal is an essential item and must be fitted to the underside of the tap base ring.

2 Filter Installation



THIS PRODUCT REQUIRES A PRESSURE REDUCING VALVE (PRV) TO BE FITTED IN-LINE WITH THE COLD INLET AND SET TO A MAXIMUM OF 43.5PSI (3BAR). FILTER CARTRIDGES MUST BE CHANGED 6 MONTHLY & FILTER HOUSING 3 YEARLY. FAILURE TO COMPLY WITH THE ABOVE WILL VOID ALL WARRANTY OFFER BY YOUR DISTRIBUTOR OR THE HOUSE OF ROHL.

Note: It is highly recommended that an isolation valve is fitted prior to the filter.

Connect the flow regulator to cold mains - this will be pre-fitted to the cold inlet hose, you may need to remove it from the hose for ease of installation. Reconnect the inlet hose and tighten the connections.

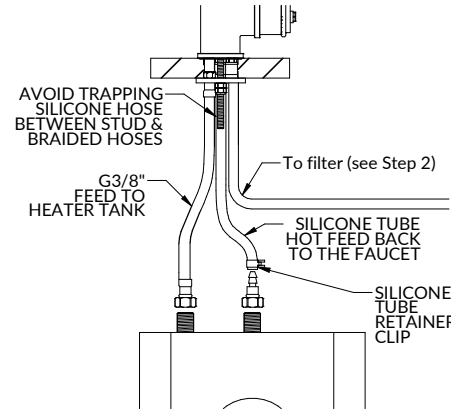
ENSURE CONNECTIONS ARE FIRMLY TIGHTENED.

• Mount the filter housing in an accessible location using either screws in the bracket or the adhesive pad, ensuring the mounting area is clean by using the wipe provided. (Please refer to the installation guide provided with the U.1408 for detailed instructions).

• Once the mains connections are made fit the G3/8" braided hose to the Faucet as shown (hose identified by blue sticker).

Consult the guide provided with the heater tank to ensure correct positioning and installation.

3 Final Installation



Please only progress to this step once the heater tank is installed as per the installation guide provided with the heater tank.

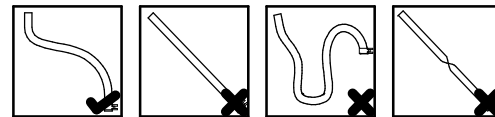
• Connect the remaining hose from the tap to the heater tank, this hose will be identified with a green sticker & should be connected to the green connection on the heater tank.

• Connect the silicone tube to the barbed connection on the top of the heater tank as shown & Trim to size if required (SEE NOTE 4).

IMPORTANT: During installation the tank should remain unplugged. The tank must be filled with water before power is connected. A 'dry start' will void the warranty.

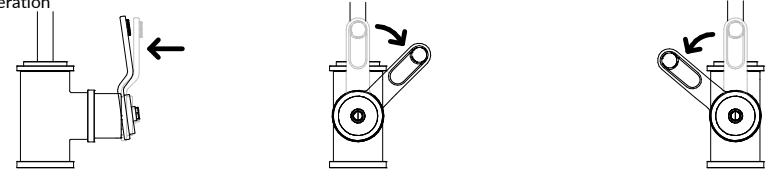
Avoid kinking tubes during installation as the resulting restrictions could reduce flow and cause malfunctioning of the expansion chamber. Do not use pipe sealing compounds on any connections. These can foul the internal mechanics and may cause objectionable taste and odor. Plumbing connections must comply with all sanitary, safety and plumbing codes.

4 Trim the Silicone Tube to Length



Trim the silicone hose to the right length for the installation. It must not be pulled taught, too slack leading to a 'U' bend or twisted. Please make sure the tube isn't pinched between the threaded stud and the braided hose as this may cause flow restriction. If the silicone is not installed correctly it may effect the performance of the system.

5 Operation



Step 1: To disengage the safety mechanism for either Instant hot water or filter water, first push the lever towards the body.

Step 2a: For Instant Hot Water, push the lever backwards 45 degrees to allow water to flow. When finished, release or return the lever to the closed position (the safety mechanism will do this automatically).

Step 2b: For Filtered Cold Water, pull the lever forward 45 degrees to allow water to flow. When finished, you must return the lever to the closed position.

• **Before Use** •

- Carefully check the installation for leaks.
- If further building work is to be carried out in the vicinity, cover the product to avoid damaging the finish.
- Please ensure that the installation complies with local plumbing codes.