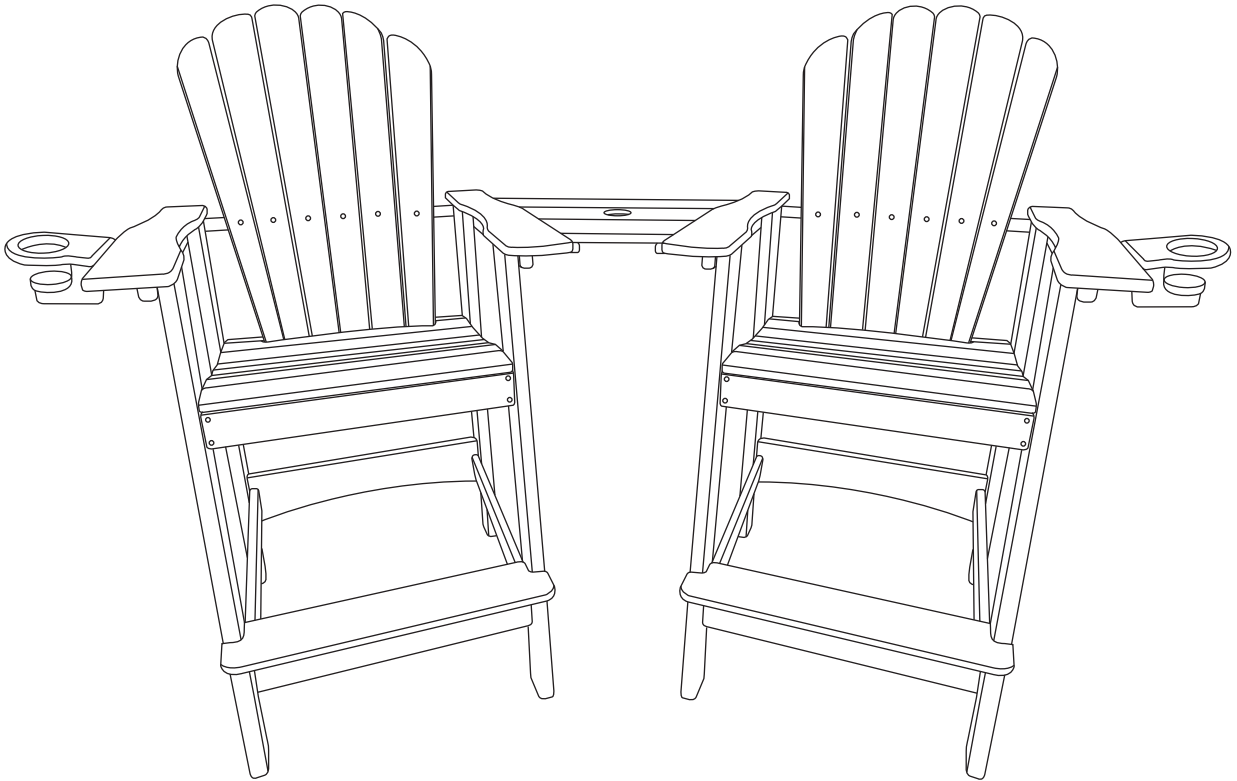


IMPORTANT
RETAIN FOR FUTURE REFERENCE
READ CAREFULLY
INSTRUCTION MANUAL

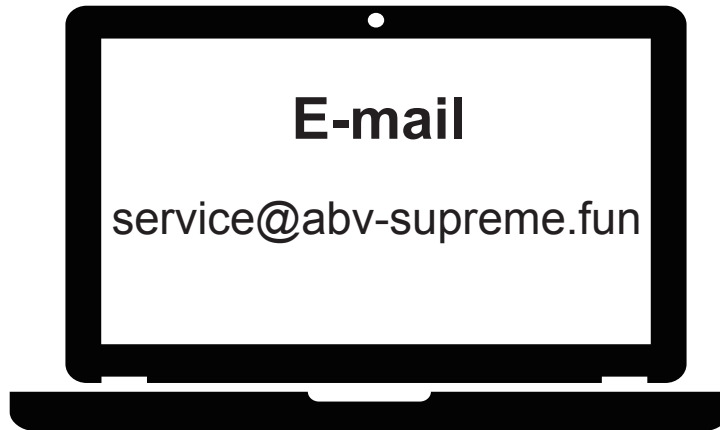


Note:

1. Do not use electric screwdriver.
2. Two people are required to assemble this item. Assemble the item on a flat, solid and even surface.
3. Make sure that all the necessary parts are in the carton before starting the assembly.
4. Please secure all parts and bolts loosely, only when the frame is complete should you fully tighten the screws.
5. If any instability occurs, loosen the screws, re-align the components as necessary and re-tighten the screws evenly.
6. This item is not a climbing frame or toy.
7. Danger of suffocation. Keep out of reach of children.

Contact Us!

Contact our friendly customer service department for help first.
Replacements for missing or damaged parts will be shipped ASAP!



Contact Us!

Dear Customer, Thanks for buying from us.

If you have questions or quality problems during the installation and use, please kindly contact us through Amazon message(or email to us: service@abv-supreme.fun). We will reply you within 24 hours and solve your problem as soon as we can.

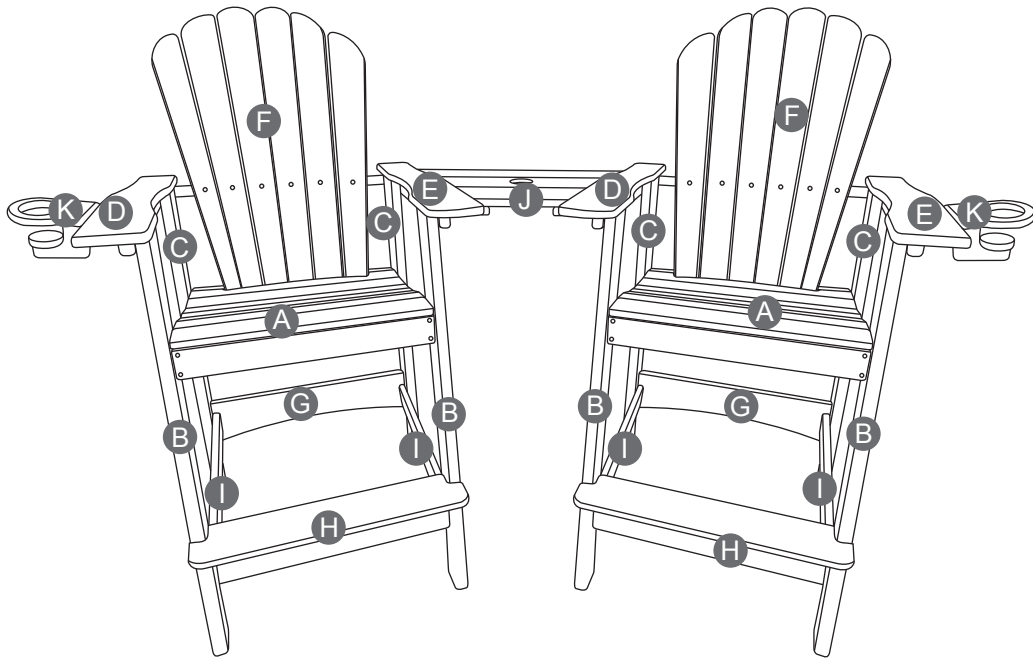
Returns Policy!

We offer a returns policy equivalent to Amazon.com's.

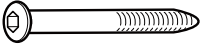
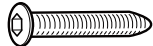
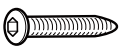
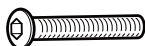
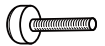


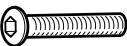
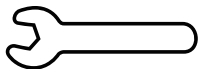

Ensure you enclose the correct and complete item when making a return. The correct item must be returned to receive a refund. It can take up to 15 days for an item to reach us once you return it. Once the item is received at our fulfillment center, it takes 2 business days for the refund to be processed and 3-5 business days for the refund amount to show up in your account.

Warranty!

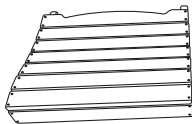


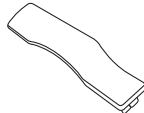
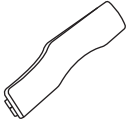
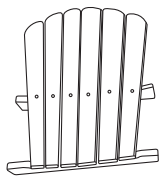

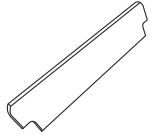
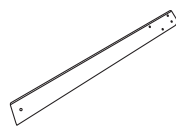
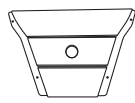

The product is guaranteed to be free from defects in workmanship and parts for a period of 12months from the date of purchase. Defects that occur within this warranty period, under normal use and care, will be repaired, replaced or refunded at our discretion.



Hardware List

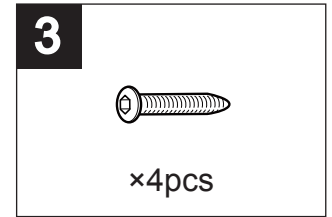
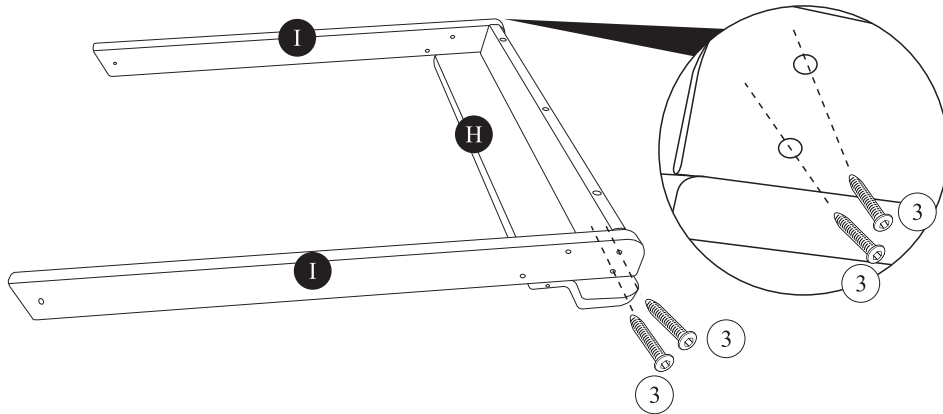
<p>1 M6 x 80mm SCREW</p>  <p>4PCS</p>	<p>2 M6 x 60mm SCREW</p>  <p>16PCS</p>	<p>3 M6 x 40mm SCREW</p>  <p>8PCS</p>	<p>4 M6 x 65mm BOLT</p>  <p>28PCS</p>	<p>5 M6 x 30mm BOLT</p>  <p>4PCS</p>
<p>6 M6 WASHER</p>  <p>28PCS</p>	<p>7 M6 NUT</p>  <p>28PCS</p>	<p>8 M6 x 50mm BOLT</p>  <p>2PCS</p>	<p>9 NO.10 SPANNER</p>  <p>1PC</p>	<p>10 ALLEN KEY</p>  <p>1PC</p>

Parts List

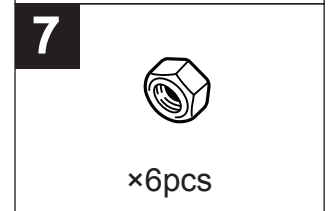
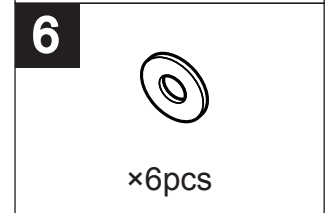
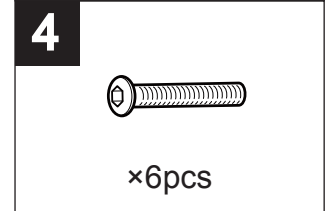
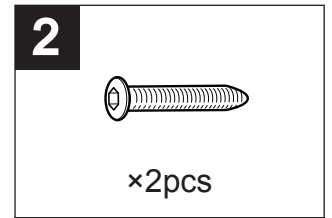
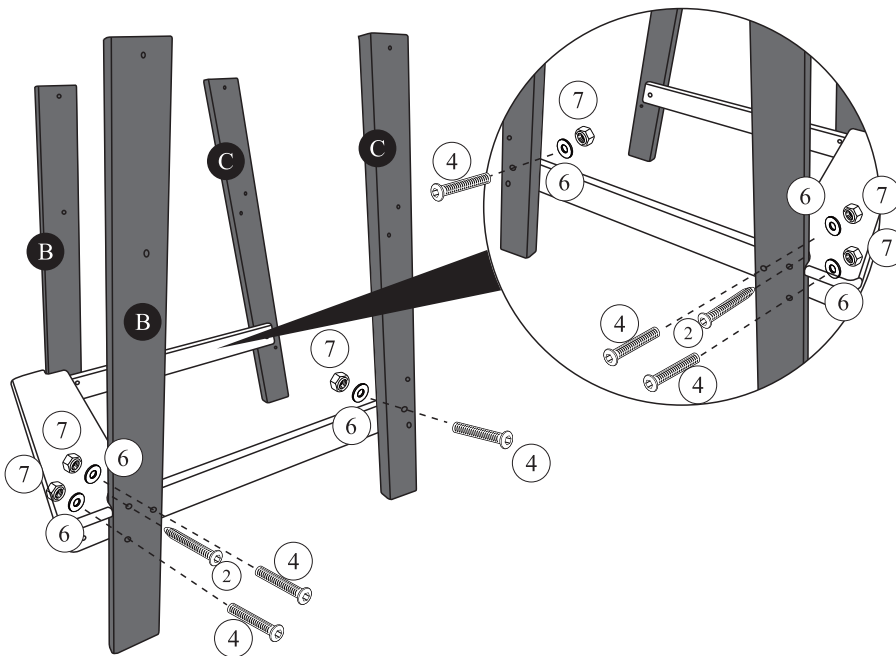
<p>A SEAT PANEL</p>  <p>2PCS</p>	<p>B FRONT LEG</p>  <p>4PCS</p>	<p>C REAR LEG</p>  <p>4PCS</p>	<p>D RIGHT ARMREST</p>  <p>2PCS</p>	<p>E LEFT ARMREST</p>  <p>2PCS</p>	
<p>F BACK PANEL</p>  <p>2PCS</p>	<p>G REAR ROD</p>  <p>2PCS</p>	<p>H FOOTREST</p>  <p>2PCS</p>	<p>I SIDE ROD</p>  <p>4PCS</p>	<p>J DESKTOP BOARD</p>  <p>1PC</p>	<p>K CUP HOLDER</p>  <p>2PCS</p>

Assembly Steps

Step 1: Secure part I(Side rod) to H(Footrest) using Hardware3 (M6×40mm Screw).

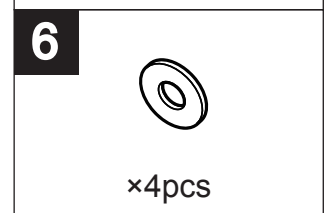
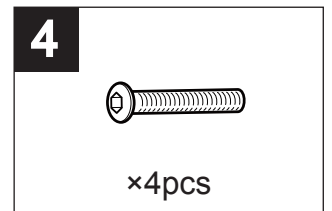
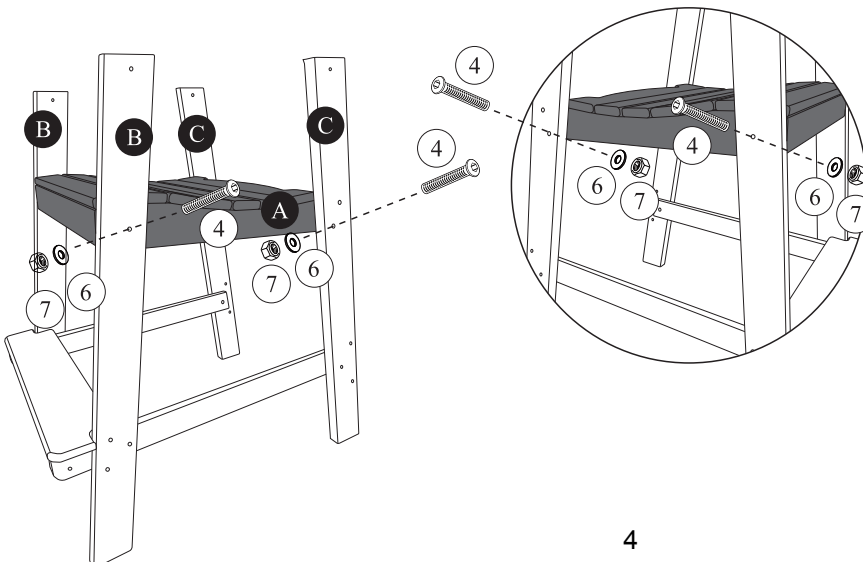


Step 2: Secure part B(Front leg) & part C(Rear leg) to I(Side rod), using Hardware2 (M6×60mm Screw), Hardware4 (M6×65mm Bolt), Hardware6 (M6 Washer), and Hardware7 (M6 Nut).

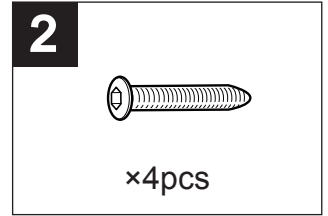
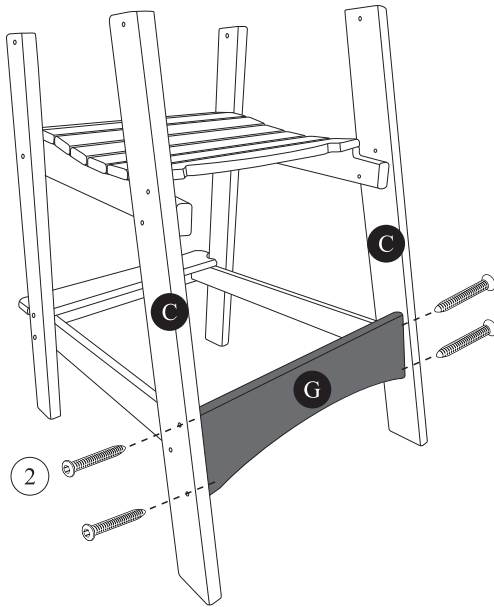


Step 3: Attach part A(Seat panel) to B&C, using Hardware4 (M6×65mm Bolt), Hardware6 (M6 Washer), and Hardware7 (M6 Nut).

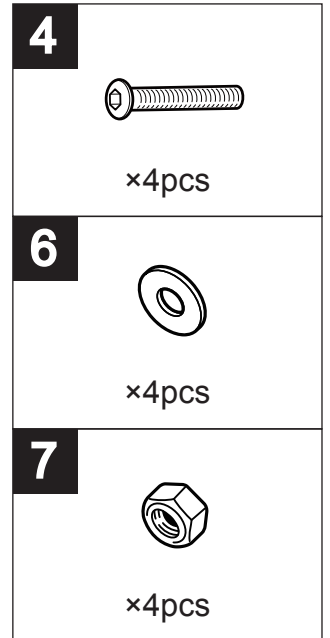
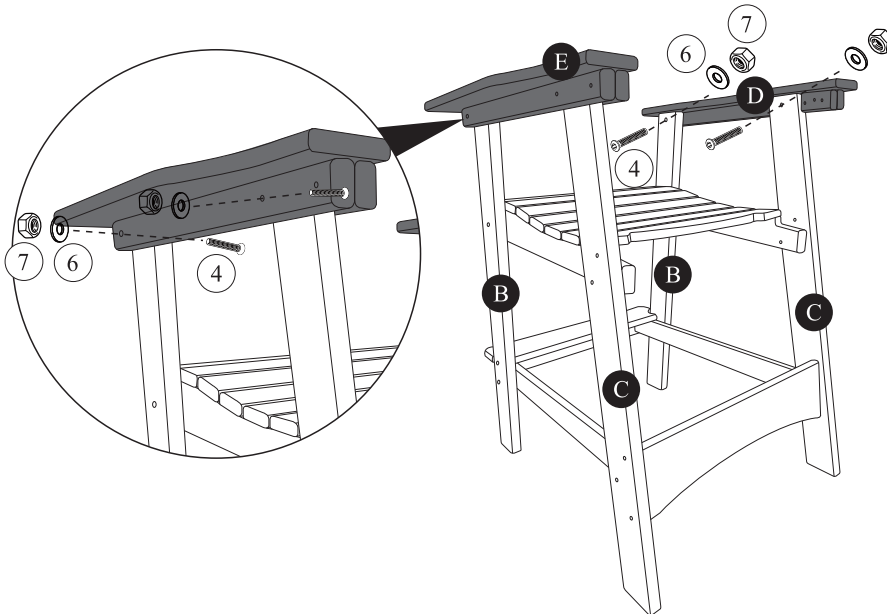
Note: Align part A to the lower hole on part C.



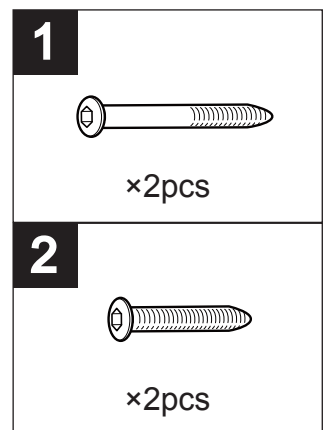
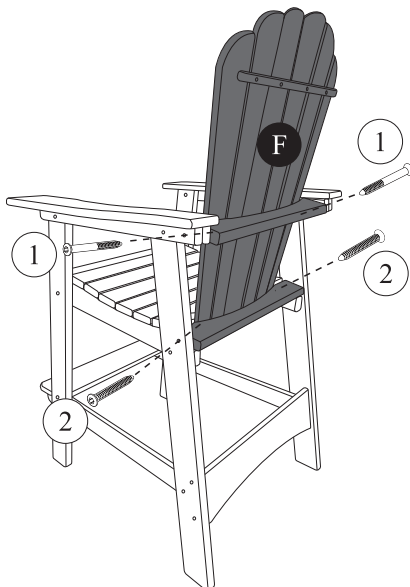
Step 4: Connect part G(Rear rod) to C, using Hardware2 (M6×60mm Screw).



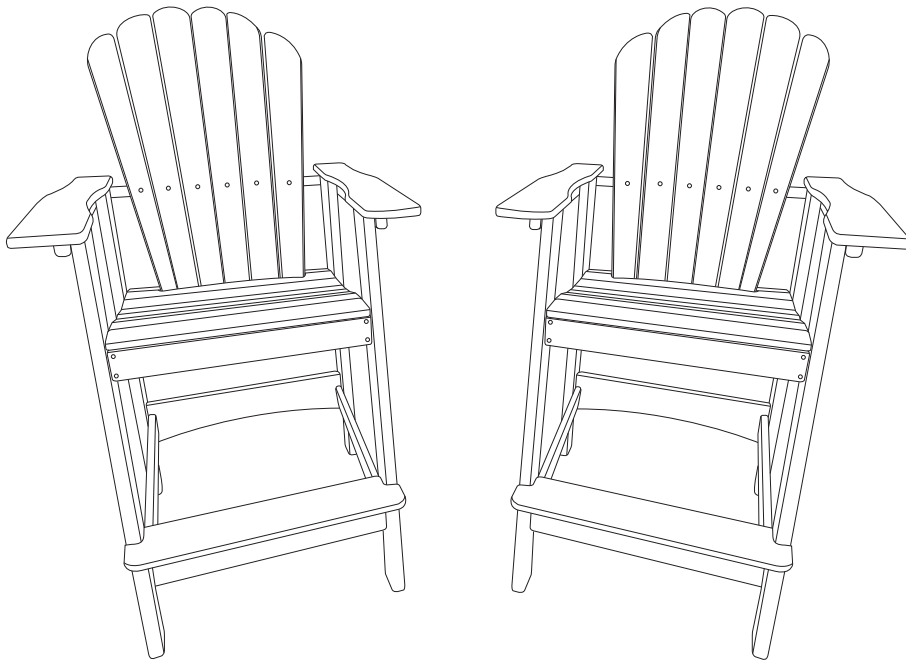
Step 5: Secure part D(Right armrest) to B&C, using Hardware4 (M6×65mm Bolt), Hardware6 (M6 Washer), and Hardware7 (M6 Nut). Repeat part E(Left armrest) assembly on the other side.



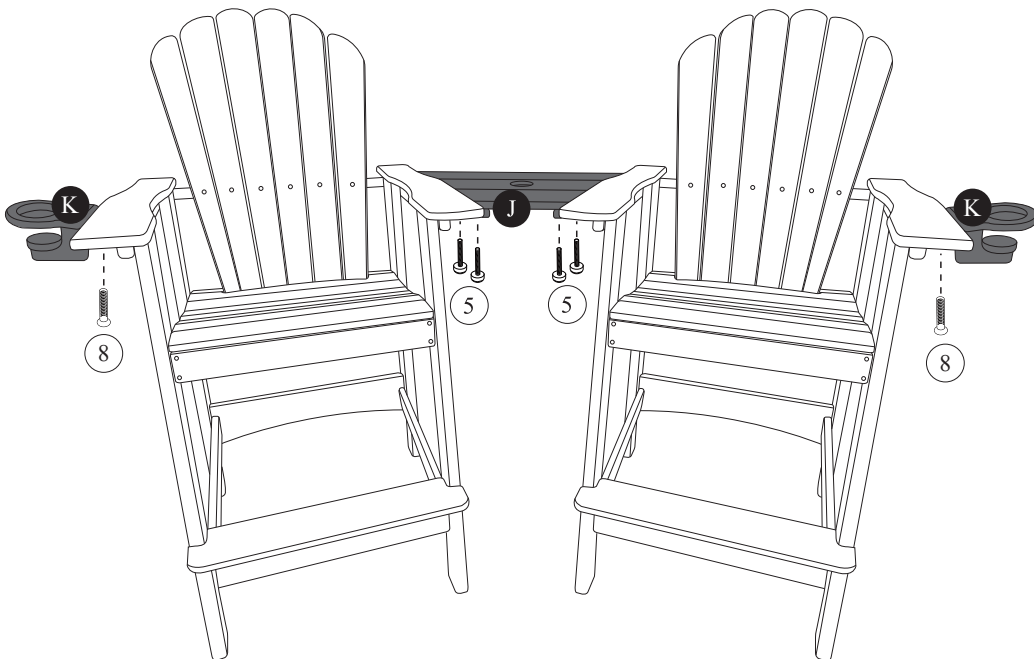
Step 6: Attach part F(Back panel) to the finished part in step 5, using Hardware1 (M6×80mm Screw) & Hardware2 (M6×60mm Screw).

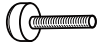
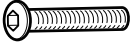


Step 7: Please repeat above steps to assemble the other chair.



Step 8: Connect part J (Desktop board) to the arms of the two chairs, using Hardware 5 (M6×30mm Bolt). Secure part K (Cup holder) to the arms separately using Hardware 8 (M6×50mm Bolt). Assembly is complete.



5	 ×4pcs
8	 ×2pcs