

Features

- Two-piece design
- Elongated bowl offers added room and comfort
- Comfort Height® feature offers chair-height seating that makes sitting down and standing up easier for most adults
- Left-hand nested trip lever offers a choice of 1.1 or 1.6 gallons per flush (gpf)
- Combination consists of the K-4373 bowl and the K-4458 tank
- Dual-flush technology allows you to choose between a full or partial flush
- Eligible for consumer rebates in some municipalities
- 2-1/8" (54 mm) fully glazed trapway

Installation

- Seat sold separately
- 10" (254 mm) rough-in
- Three-bolt quick-connect installation

Recommended Products/Accessories

- K-5420 Low-Profile Bolt Caps
- K-9237 Dual-flush Trip Lever
- 1023457 Wax Ring/Hardware Kit
- 1265114 Connector Hose
- K-23726 Drain treatment
- K-4636-RL Cachet® ReadyLatch® Quiet-Close™ elongated toilet seat

Included Components

- K-4458 Toilet tank, dual-flush
- K-4373 Elongated toilet bowl



ADA CSA B651 OBC

Codes/Standards

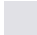


ASME A112.19.2/CSA B45.1
EPA WaterSense®
ADA
ICC/ANSI A117.1
CSA B651
OBC

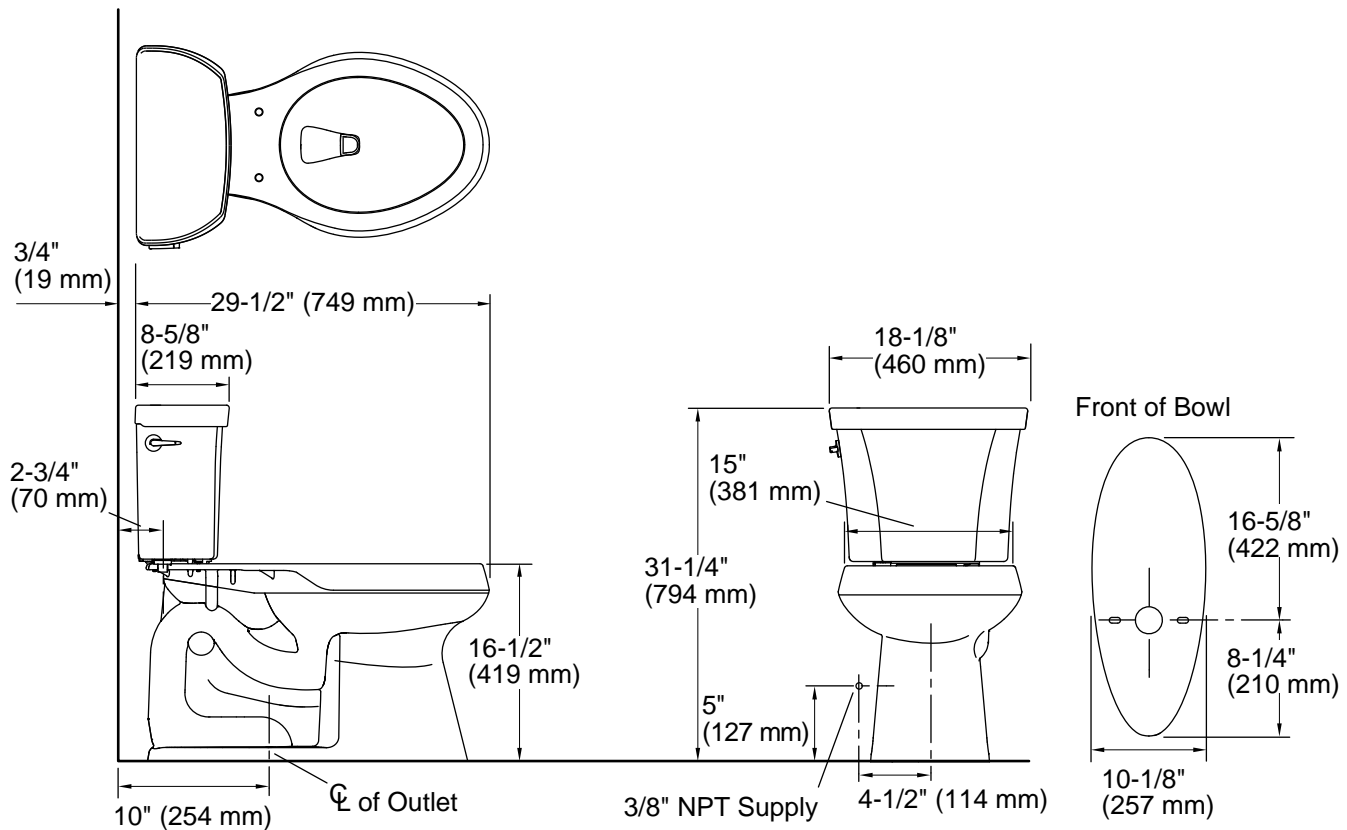
KOHLER® Toilets and Seats Limited Warranty

See website for detailed warranty information.

Available Colors/Finishes

Color tiles intended for reference only.

Color	Code	Description
	0	White
	96	Biscuit
	7	Black Black™



Technical Information

All product dimensions are nominal.

Toilet type:	Floor-mount
Waste Outlet:	Floor
Bowl shape:	Elongated
Flush type:	Class Five
Trap passageway:	2-1/8" (54 mm)
Water surface size:	11-3/8" x 8" (289 mm x 203 mm)
Rim to water surface:	5-3/8" (137 mm)
Rough-in:	10" (254 mm)
Seat-mounting holes:	5-1/2" (140 mm)

Notes

Install this product according to the installation instructions.

The Model Plumbing Codes require the installation of elongated open-front toilet seats in public bathrooms.

ADA, OBC, CSA B651 compliant when installed to the specific requirements of these regulations.

Plumbing codes may require elongated toilets and elongated, open-front seats in public bathrooms.

Accessibility standards may require controls to be located on the open side of the toilet.