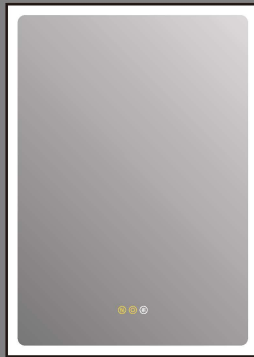


APPLY TO BELOW STYLE OF LED MEDICINE CABINET



16"
RIM 1626



20"
RIM 2028



24"
RIM 2430

MEDICINE CABINET

Specification & Installation Guide

IMPORTANT SAFETY INSTRUCTIONS

When using an electrical furnishing, basic precautions should always be followed, including the following:

⚠ WARNING: To reduce the risk of burns, fire, electric shock or injury to persons. Use this furnishing only for its intended use as described in these instructions. Do not use attachments not recommended by the manufacturer. Never drop or insert any object into any opening. Do not use outdoors.

⚠ WARNING: Risk of electric shock. Connect this furnishing to a properly grounded circuit only. See grounding instructions.

⚠ CAUTION: Maximum shelf load 34lbs/15.4kg

ELECTRIC CONNECTIONS

ALL WIRING SHOULD BE DONE BY A QUALIFIED LICENCED ELECTRICIAN.

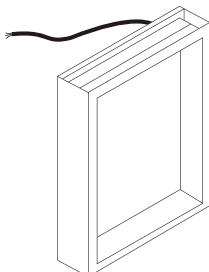
⚠ WARNING: Shut off power before wiring the cabinet.
Requires 120 VAC 15 Amp GFI protected Circuit.

GROUNDING INSTRUCTIONS:

⚠ CAUTION: This product must be connected to a grounded metal permanent wiring system or an equipment-grounding conductor must be run with the circuit conductors and connected to the equipment grounding terminal or lead on the product.

⚠ WARNING: An Electrical option cabinet must be wired to a 15 Amp GFI (Ground Fault Interrupter) protected circuit when used in bathrooms and all other locations required by the National Electric Code.

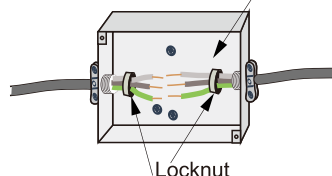
The electric wire comes through the access hole on the top of the cabinet, exact location of access hole varies depending on the product models. Please refer to the actual product for the exact location.



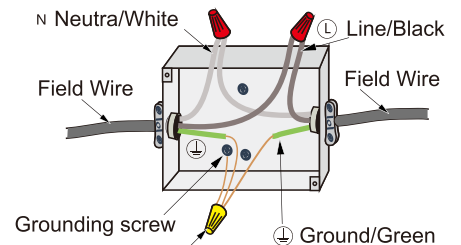
Make connection with Junction box

Neutral to white.
Line to black.
Ground to green.

using wire connector caps


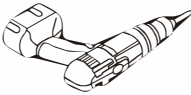

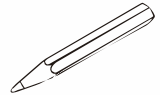








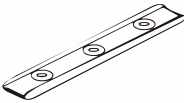


★ junction box is not included ★

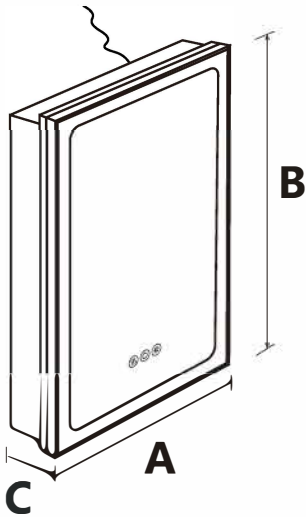


wire connector caps
★ (not included) ★

HARDWARE AND TOOLS

Hardware				Tools (not included)		
NO.		Draw	QTY(pcs)			
A	Hardware Screw		5			
B	Glass Shelf		2	Electric Drill	1/8" Drill Bit	Pencil or Marker
C	Wall Anchor		5			
D	Clip		8	Screw Driver	Silicone	Tape Measure
E	User Manual		1			
				Toothless flat nose plier	Lever	

DIMENSIONS



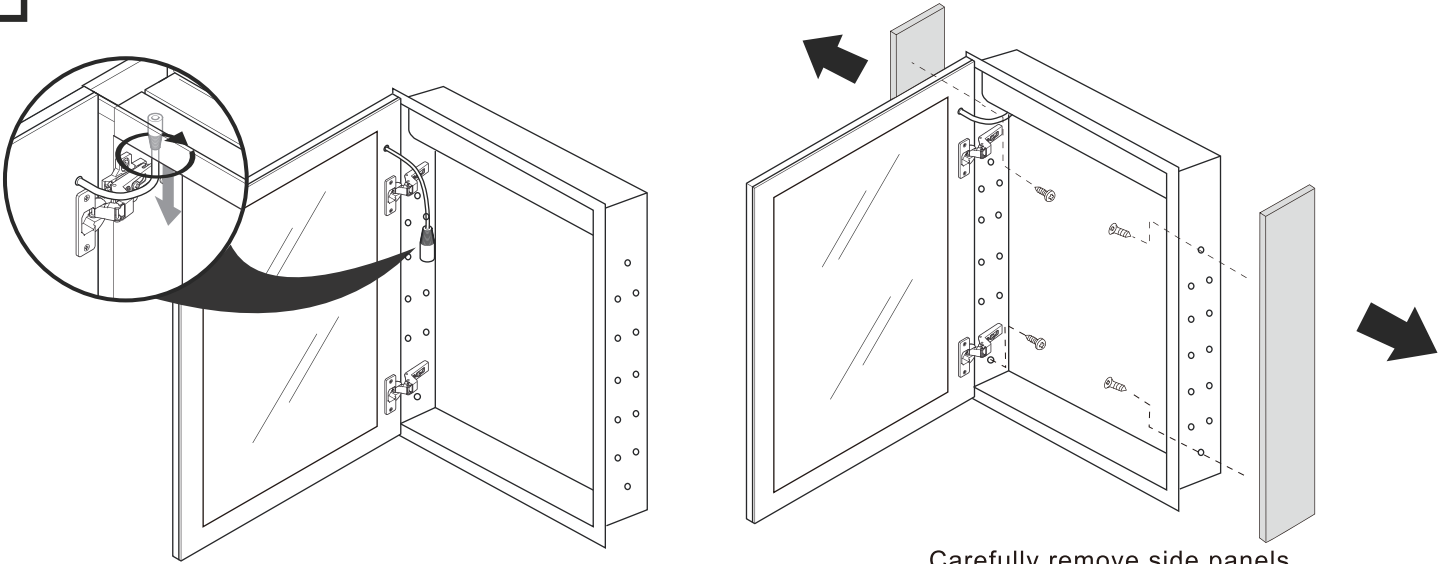
- A**-Cabinet's Width
- B**-Cabinet's Height
- C**-Cabinet's Depth

NOTE: Determine overall medicine cabinet dimensions
If for recess mounting medicine cabinet, determine
rough-in (Wall Cut-out) dimensions.

Item		A	B	C	
Model	1626	/	16"	26"	5"D
	2028	/	20"	28"	5"D
	2430	/	24"	30"	5"D

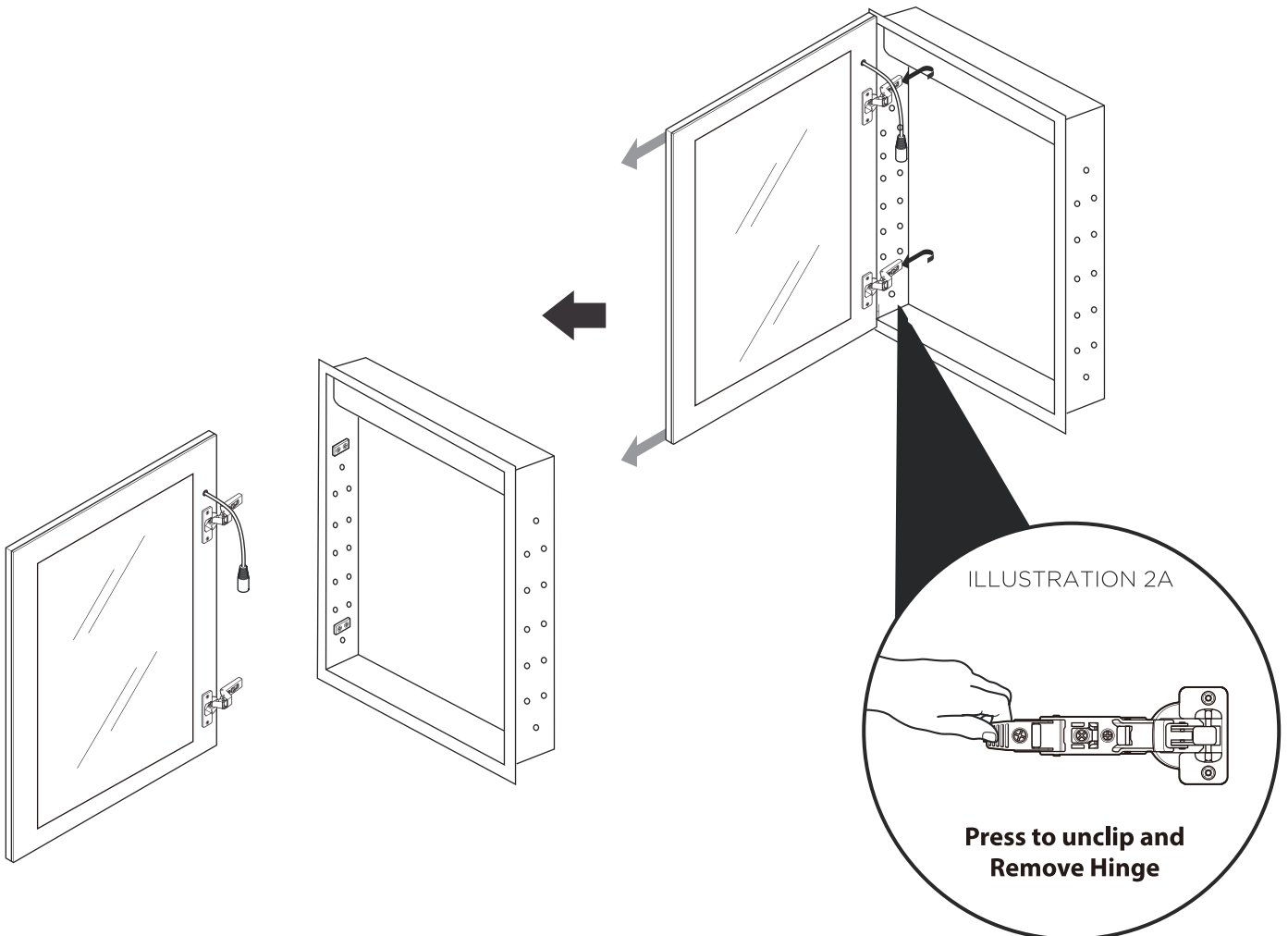
PRIOR TO MOUNTING - FOR RECESS MOUNT INSTALLATION ONLY.

- 1** Remove Door/s Prior mounting your cabinet. Start with unplugging the door from the cabinet.

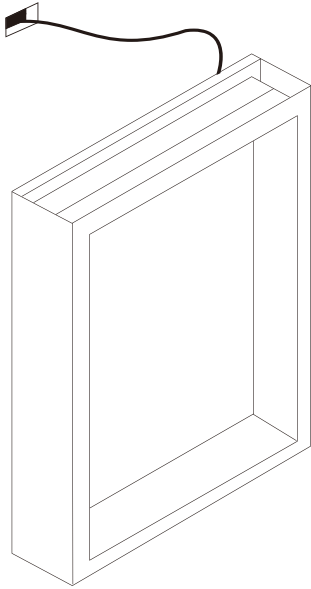


Carefully remove side panels for recess mount installation ONLY.

- 2** While supporting the door release the lever under the hinge arm (See Illustration 2A). Slide the door off the frame.







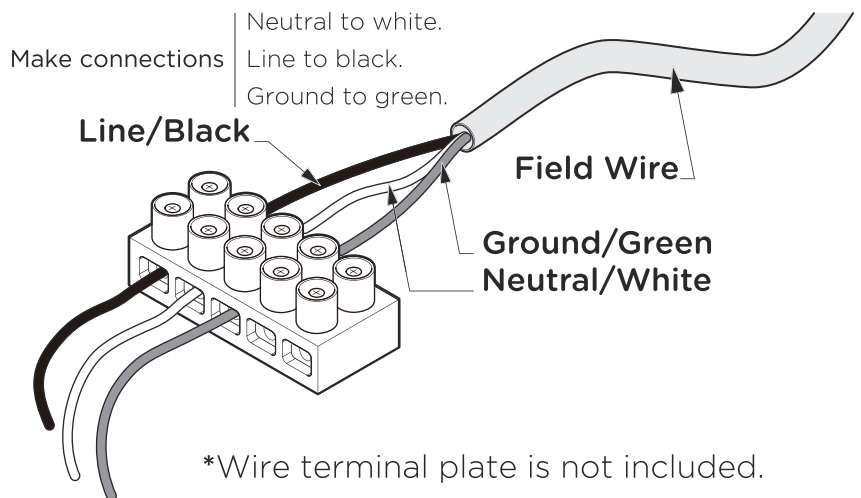
ELECTRIC CONNECTIONS



When Doors facing you,
the electrical wire comes out
through the access hole in the
TOP RIGHT SIDE of the cabinet.

ALL WIRING SHOULD BE DONE BY A QUALIFIED LICENCED ELECTRICIAN

-  **WARNING:** Shut off power before wiring the cabinet.
-  **WARNING:** An Electrical option cabinet must be wired to a 15 Amp GFI (Ground Fault Interrupter) protected circuit when used in bathrooms and all other locations required by the National Electric Code.
-  **CAUTION:** This product must be connected to a grounded, metal permanent wiring system or an equipment-grounding conductor must be run with the circuit conductors and connected to the equipment grounding terminal or lead on the product.
-  **CAUTION:** Requires 120 VAC 15 Amp GFI protected circuit.



RECESS-MOUNT INSTALLATION

Make Rough Opening and Frame on all sides.
Reference your Cabinet Model Dimensions
and Rough in dimensions on Page 5.
Make sure the cabinet door has a clearance
of at least 1" from the top of the faucet and 1"
from the ceiling.

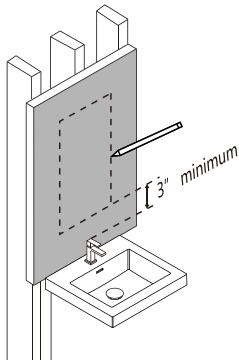
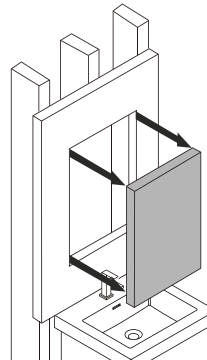
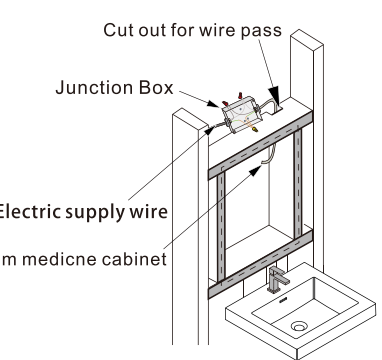
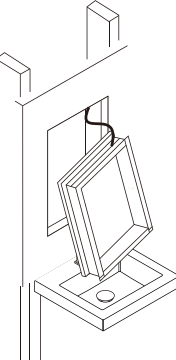
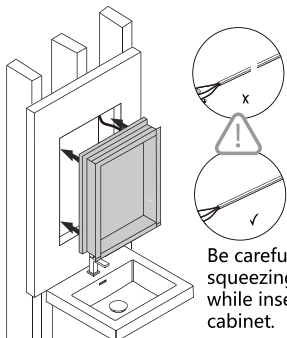
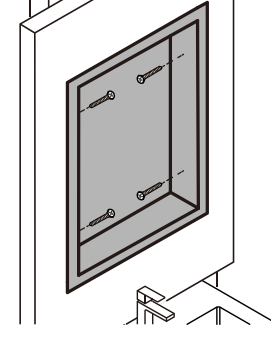
Electric wiring: Be sure to provide enough
wire to make the proper and safe
connection to the Field/Power.
Place cabinet in rough-in and make sure
the cabinet is square, level and plumb.
Secure the cabinet with the mounting
screws into the framing studs.

NOTE: Rough opening is not an exact measurement. The extra space allows cabinet to be inserted into the opening. Add shims to level and tighten space if necessary. Additional framing might be required.

ROUGH WALL OPENING

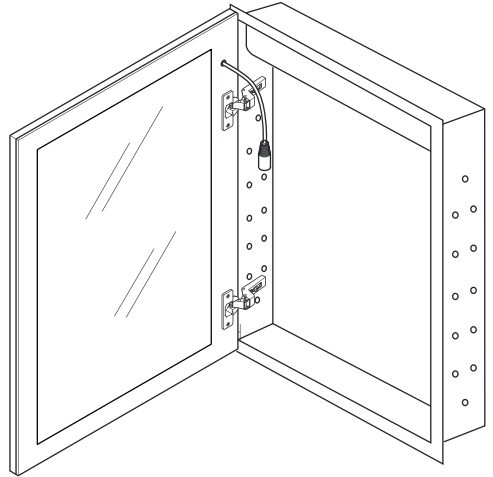
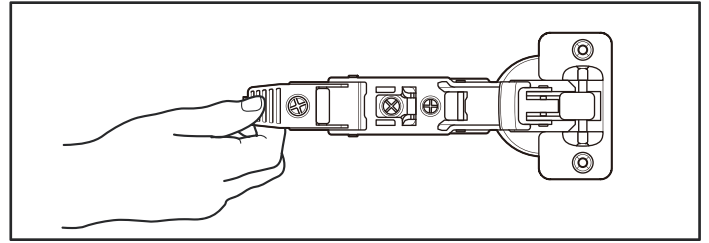
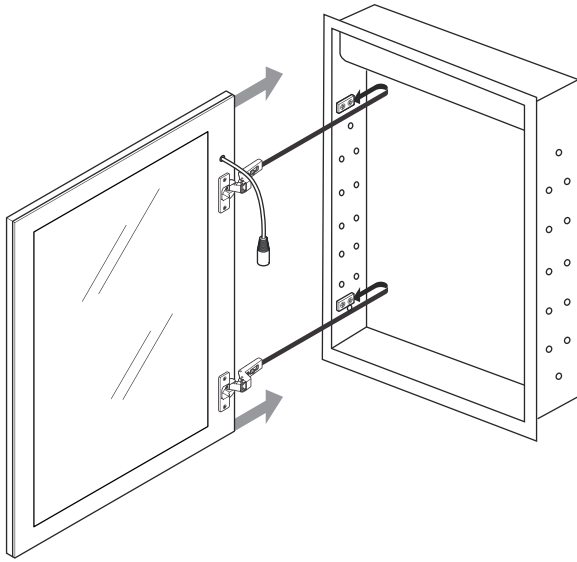
Overall Size	Rough Wall Opening
16 in.(W) x 26 in.(H) x 5 in.(D)	15.2 in.(W) x 24.8 in.(H) x 3.2 in.(D)
20 in.(W) x 28 in.(H) x 5 in.(D)	19.1 in.(W) x 26.8 in.(H) x 3.2 in.(D)
24 in.(W) x 30 in.(H) x 5 in.(D)	23.1 in.(W) x 28.8 in.(H) x 3.2 in.(D)

RECESS MOUNT INSTALLATION CONTINUED

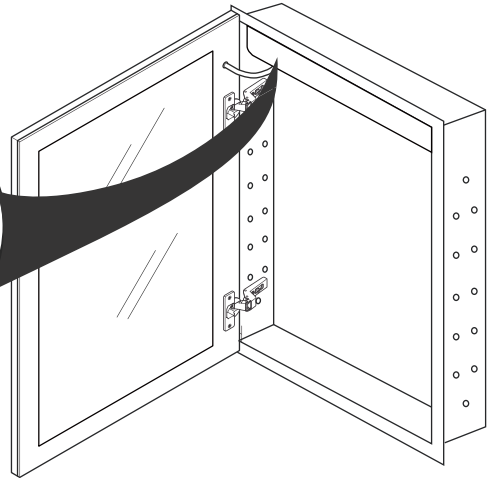
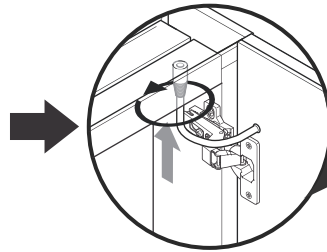
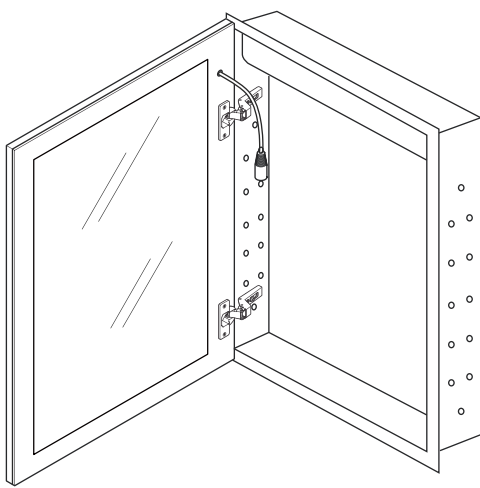
<p>1</p>  <p>Draw the perimeter of the cabinet on the wall.</p>	<p>2</p>  <p>Cut the marked perimeter with suitable tool.</p>	<p>3</p>  <p>Frame the opening for the cabinet based on the measurements.</p>
<p>4</p>  <p>Connect electrical wires before inserting the cabinet into the opening.</p>	<p>5</p>  <p>Position cabinet in cut out opening.</p> <p>Be careful to avoid squeezing the wiring while insert the cabinet.</p>	<p>6</p>  <p>Affix using hardware screws into the studs.</p>

FINAL ASSEMBLY

1 Slide the doors into place by pinching the end of the hinge.

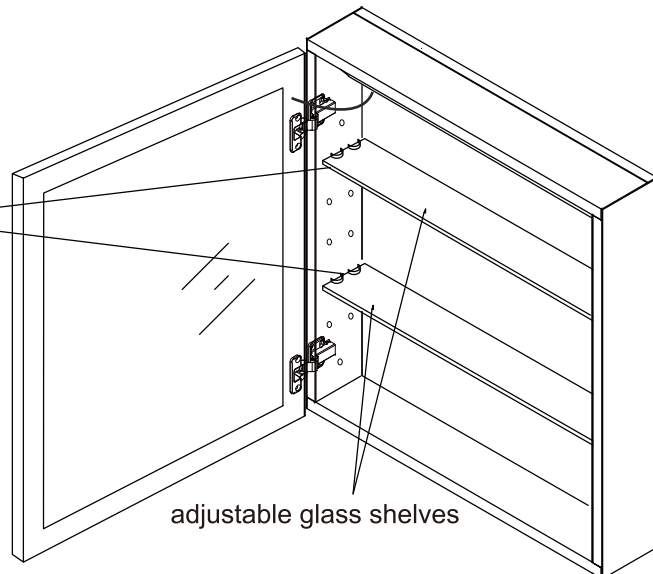


2 Plug the door into the cabinet.



3

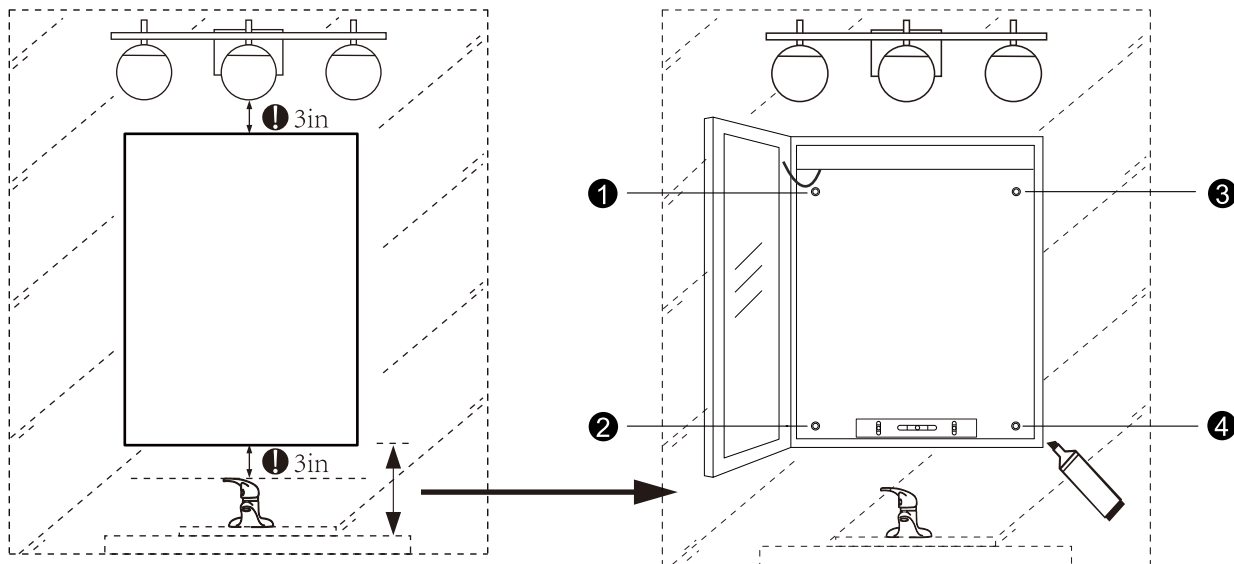
sider for adjustable shelves, unscrew and adjust the position of shelf directly and then tighten the screw for mixed.



adjustable glass shelves

SURFACE-MOUNT INSTALLATION

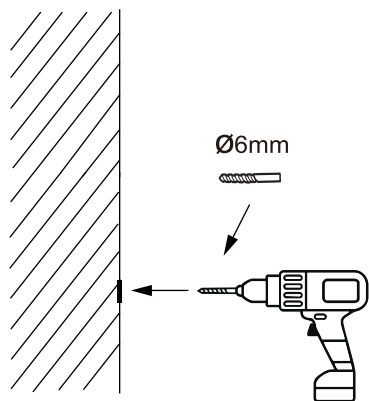
- 1** Place the medicine cabinet against the wall and mark 4 spots ①②③④ with the help of a level.



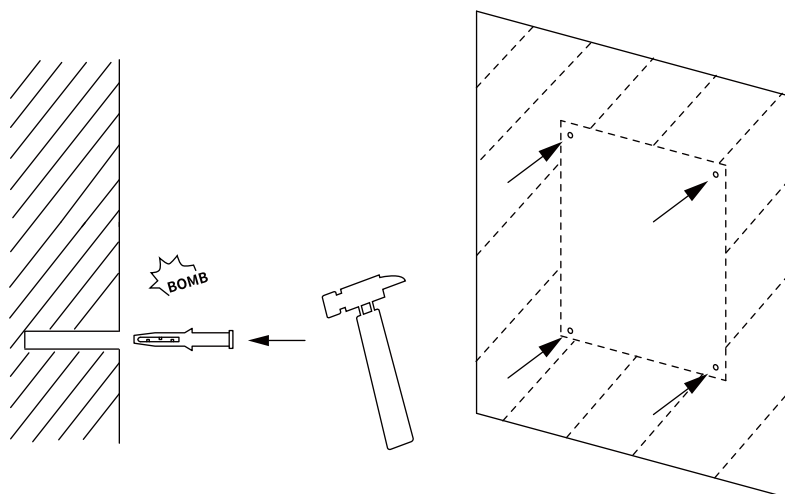
Note: Please hang the cabinet at least 3 inches above the faucet.

- 2** Put the cabinet down, punch holes at the marked spots (①) with an electric drill, then apply wall anchors with a hammer (②).

①

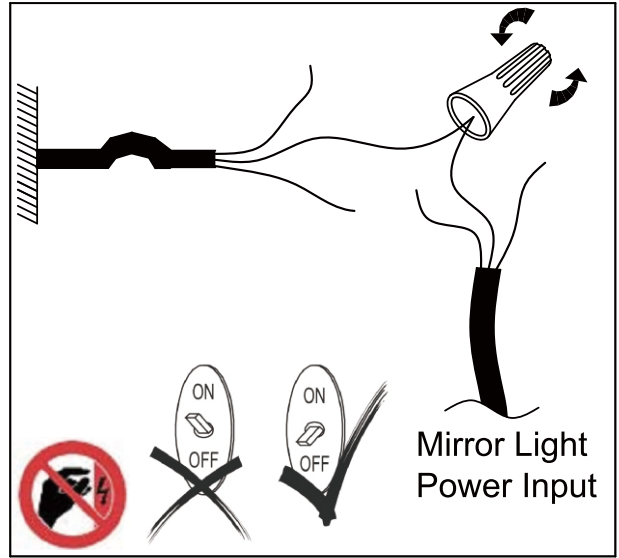
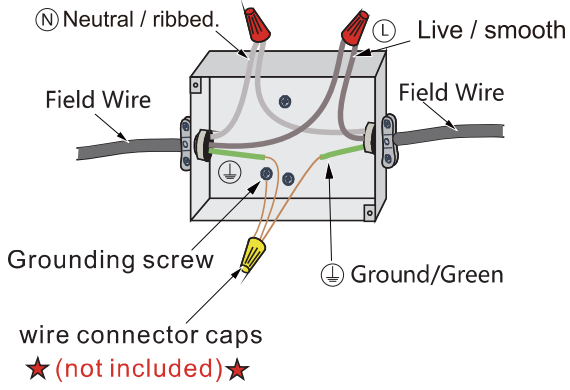


②



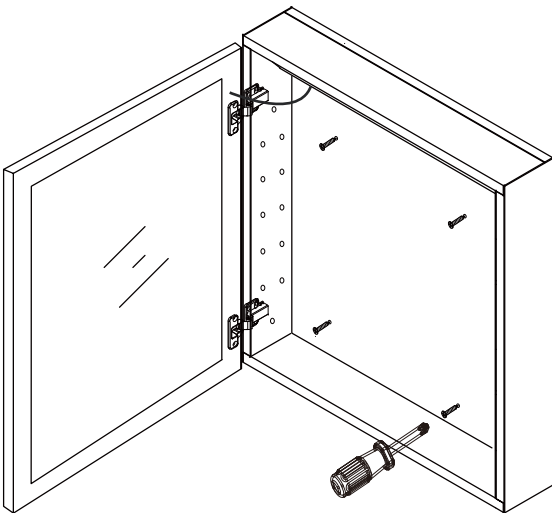
3

Connect hardwire to power line. Make sure the power off(Voltage:AC110-120V,50/60Hz)

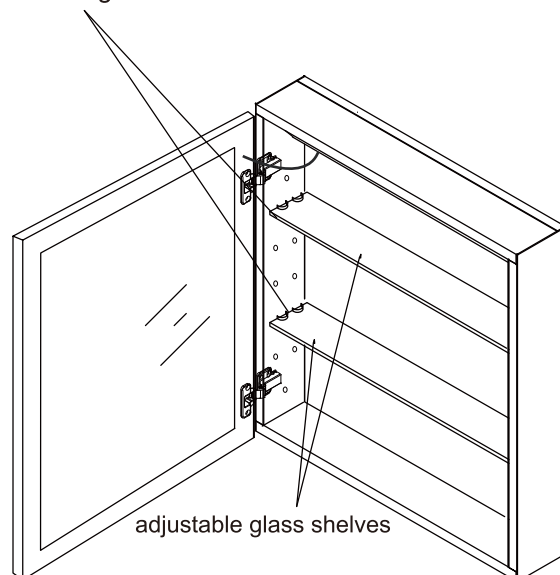


4

Secure the medicine cabinet to the wall with four screws at each corner.



sider for adjustable shelves,
unscrew and adjust the position
of shelf directly and then
tighten the screw for mixed.

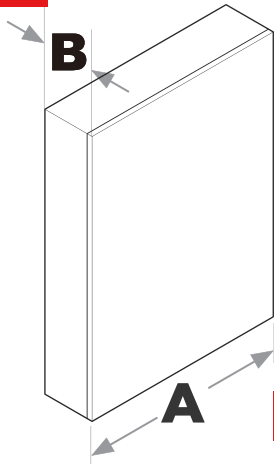


OPTIONAL DOOR ADJUSTMENT

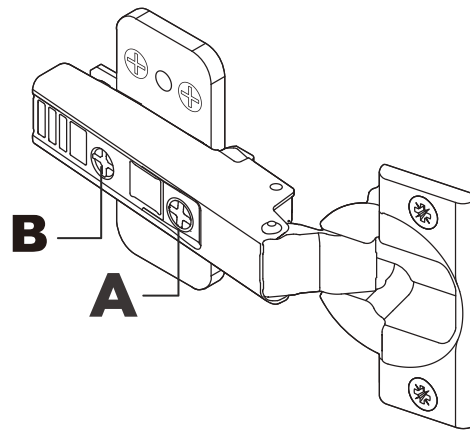
Doors may need to be adjusted after the initial shipping of the cabinet. The cabinet doors have a three-way adjustment feature.

Side-to-side, level, and depth can be adjusted. With the hinge fully extended you can access the front and back screws. These screws will move the door side to side and in and out.

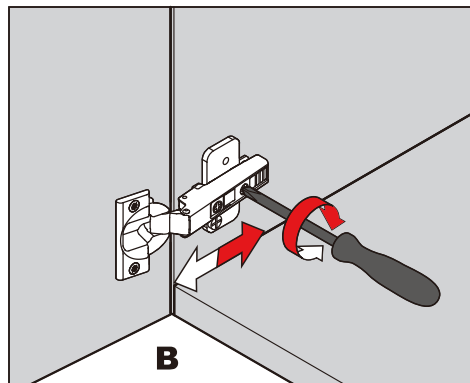
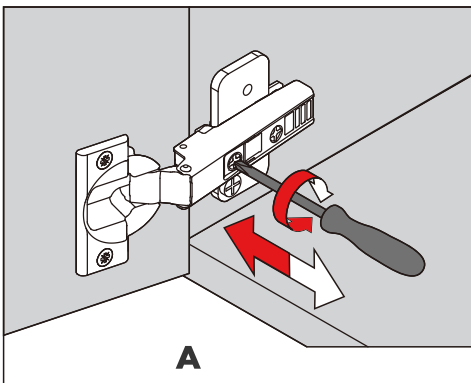
IN AND OUT



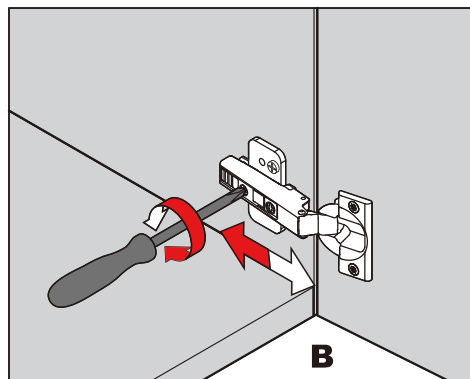
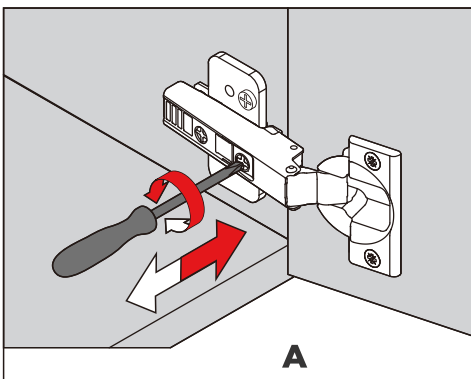
SIDE TO SIDE



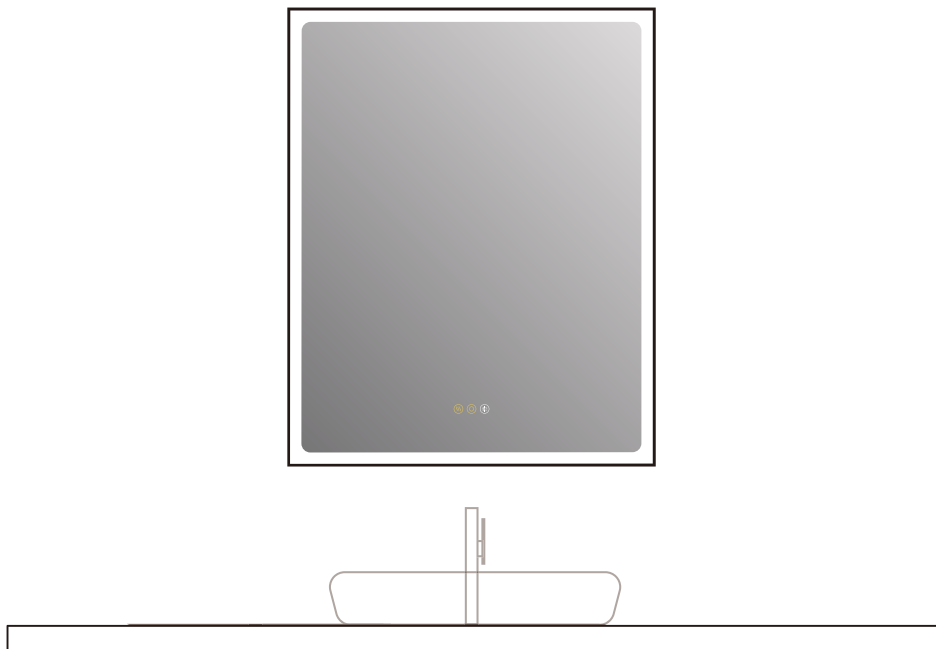
LEFT SIDE



RIGHT SIDE



INTRODUCTION OF TOUCH FUNCTION



After power on, the button shows white and it is in waiting stage, click to turn on the light function and the button turn on yellow. Click the power button to turn the light ON/OFF.

LED Long click the button to make the light gradually dims
Click the button again and the light gradually brightens



After power on, the button shows white and it is in waiting state, click to turn on the defogging function and the button turn on yellow. Click again to turn off the defogging function and the button to turn to white.



After power on, the button shows white and it is in waiting state, click to turn on the light function and the white turn on yellow. Click to switch the color temperature of light by 3k-yellow, 4k-natural or 6k-cold white

Use and Maintenance:

The interior is constructed of mirrored glass and aluminum. Use only a damp cloth to clean. Ammonia or vinegarbased cleansers can damage mirrors.

When cleaning, spray the cloth, not the mirror, or surrounding surfaces, Do not use abrasive cleansers on any parts of the light fixture. Clean mirror weekly with soft damp cloth. Avoid direct water spray. Ensure ventilation if installed in humid environment.

Limited Warranty Two Years Term

We warrant to the original purchaser that our products are free from significant defects in material and workmanship for a period of two (2) years from the date of delivery. We will, at our discretion, repair, replace, or adjust any products found to have significant defects, provided that the defects are reported to us in writing within the warranty period. Installation costs are not covered by this warranty. This warranty is void if the product is damaged during transportation, or if damage or failure is caused by abuse, misuse, abnormal usage, faulty installation, damage in an accident, improper maintenance, or any repairs other than those authorized by us.

At the end of the two-year warranty period, we shall have no further obligation under any warranty, expressed or implied, including the implied warranty of merchantability. We shall not be liable for any consequential damages arising out of or in connection with the use or performance of our products.

Some states do not allow limitations on how long an implied warranty lasts or do not allow the exclusion or limitation of incidental or consequential damages, so the above limitation or exclusion may not apply to you. Any liability against us under any implied warranty, including the warranty of merchantability, is expressly limited to the terms of this warranty.

To make a claim under this warranty, permission must be obtained from us, and the product must be returned prepaid by the purchaser. Claims under this warranty should be sent directly to the dealer where the product was purchased.

ALL RIGHTS RESERVED

