

ASSEMBLY INSTRUCTION

Thank you for purchasing this quality product. Be sure to check all packing material carefully for small parts which may have come loose inside the carton during shipment. Separate, identify and count all parts and metal hardware. Compare with parts list to be sure all parts are present. If any part(s) are missing or damaged, please contact your local furniture dealer. For efficient and speedy service, please indicate the model number and code letter of part(s) needed

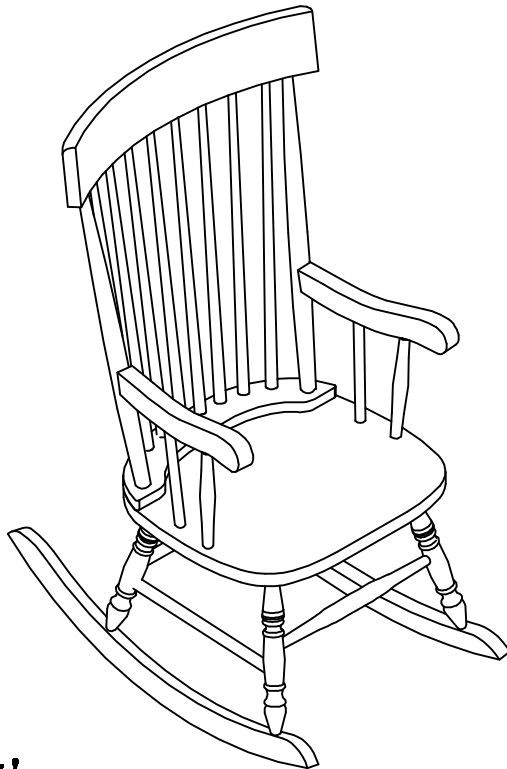
***** Do not fully tighten screws until fully assembled*****

PARTS LIST

- (A) CHAIR BACK - 1PC
- (B) ARM REST (LEFT&RIGHT) - 2PCS
- (C) CHAIR SEAT - 1PC
- (D) LEG (LEFT&RIGHT) - 2PCS
- (E) FRONT STRETCHER - 1PC
- (F) BACK STRETCHER - 1PC

HARDWARES REQUIRED

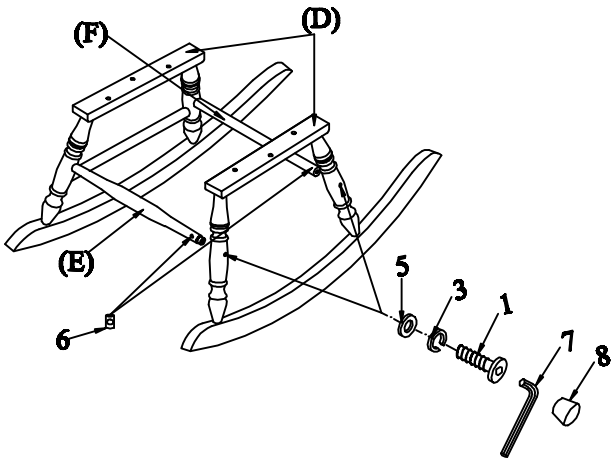
- (1) LONG BOLT $\phi 1/4"$ X 60MM - 8PCS
- (2) SHORT BOLT $\phi 1/4"$ X 32MM - 9PCS
- (3) LOCK WASHER $\phi 1/4"$ X 10.5MM - 17PCS
- (4) BIG FLAT WASHER $\phi 1/4"$ X 19MM - 2PCS
- (5) SMALL FLAT WASHER $\phi 1/4"$ X 12.5MM - 15PCS
- (6) BARREL NUT $\phi 1/4"$ X 13MM - 6PCS
- (7) ALLEN WRENCH M4 - 1PC
- (8) WOOD PLUG $\phi 13.5$ MM X 8MM - 9PCS



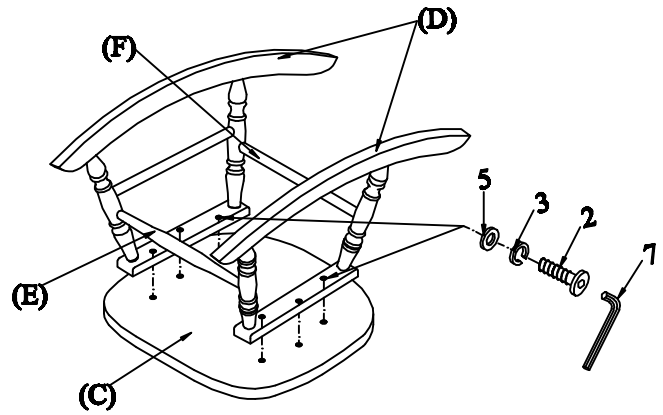
Warning !

- 1 . Don't attempt to repair or modify parts that are broken or defective . Please contact the store immediately .
- 2 . This product is for home use only and not intended for commercial establishment .

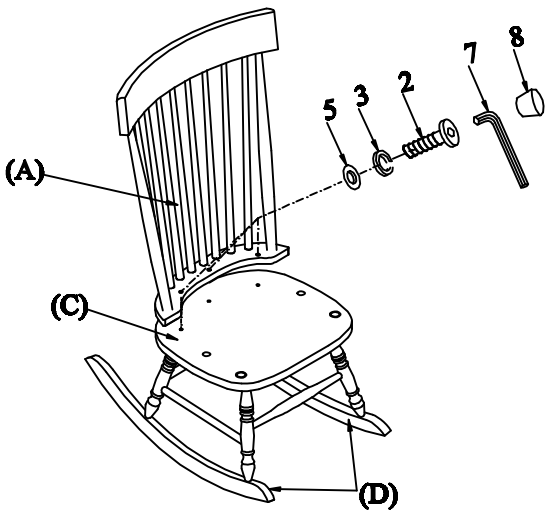
STEP 1



STEP 2



STEP 3



STEP 4

