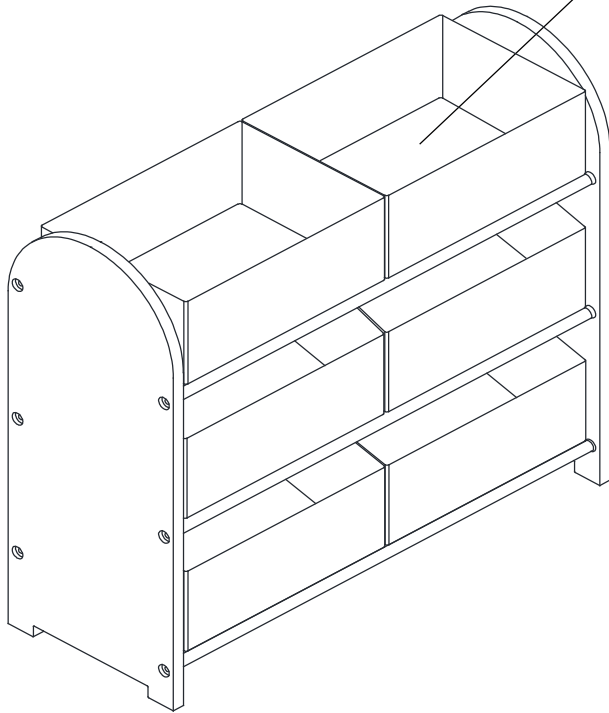


The maximum weight allowed in each drawer: 1kg.



STORAGE UNIT

Product Code:
DIS-MARSTU / DIS-MICSTU /
DIS-PRISTU / DIS-MINSTU / DIS-SPISTU

BIRLEA FURNITURE LTD
UNIT 6A-1, WEST MEADOW RISE,
CASTLE
DONINGTON, DERBYSHIRE, DE74 2HL

CERTIFICATION LABEL

This storage unit models have been tested by an independent laboratory and is in compliance with FIRA/FRQG C001: 2021- Furniture - Children's Domestic Furniture - General safety requirements; FIRA/FRQG C004: 2016 + A1: 2017- Furniture - Children's Domestic Furniture - Storage Furniture - Requirements for Strength, Stability and Durability.

Factory ID: Manufactured in China
Date of Manufacture: 1222(MMY)

WARNING: THIS PRODUCT IS SUITABLE FOR CHILDREN IN THE AGE RANGE 5-12 YEARS.

ASSEMBLY INSTRUCTION

STORAGE UNIT

IMPORTANT!

READ CAREFULLY AND KEEP FOR FUTURE REFERENCE

Assembly to be carried out by a competent adult only.

During assembly children should be kept away from the product due to the possible risk of injury.

Do not use the furniture if any part is broken, torn or missing and use only spare parts approved by the manufacturer.

Assemble the furniture on a soft level surface to avoid damaging the product or your floor.

We recommend furniture be assembled near where they will be placed, to avoid moving the product unnecessarily once assembled.

If there is a need to move the furniture, please remove all loose items and have extra hands to help lift the furniture to the desired location. Dragging the furniture will damage both the furniture and the floor.

Ensure that fingers and legs are clear of all adjustments when adjusting this product.

Regularly check and re-tighten (if necessary) all bolts on furniture that you have assembled yourself.

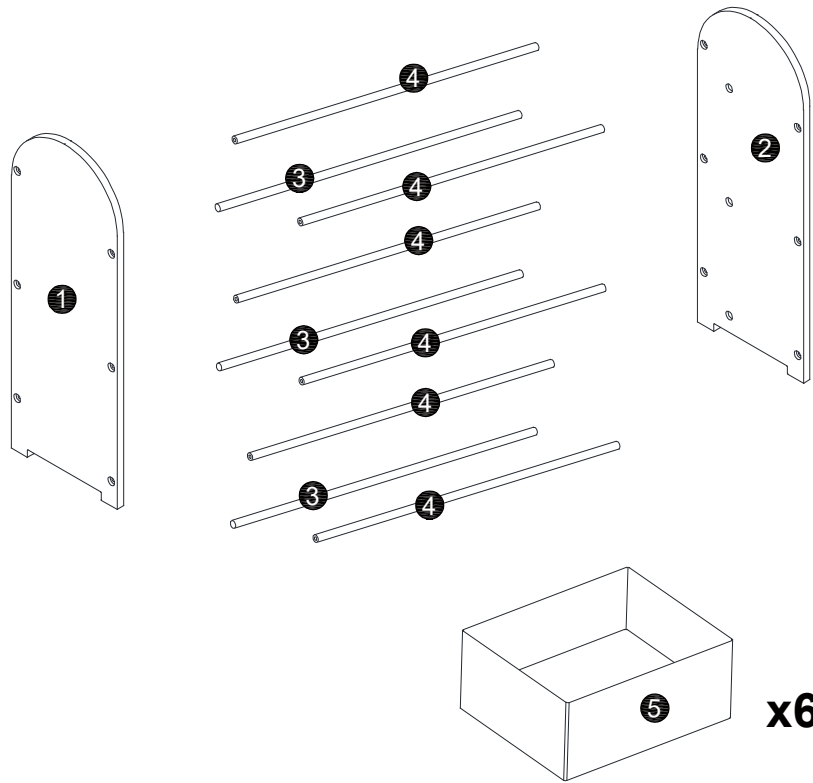
This product is suitable for children in the age range 5-12 years.

Care and Maintenance of your Furniture

Avoid placing hot items directly onto the surface unless using a thick insulation material such as placemats or coasters. Heat may lead to discolouration or other damage to the surface of the product.


Use a soft cloth that has been dampened in water to clean the surface of this product. Do not use abrasive cleaners, furniture wax or polish on the surface of this product, as it may damage the surface.

CAUTION: FREQUENT EXPOSURE TO DIRECT SUNLIGHT OR SIMILAR SOURCES MAY CAUSE THE SURFACE TO DISCOLOUR OR FADE.



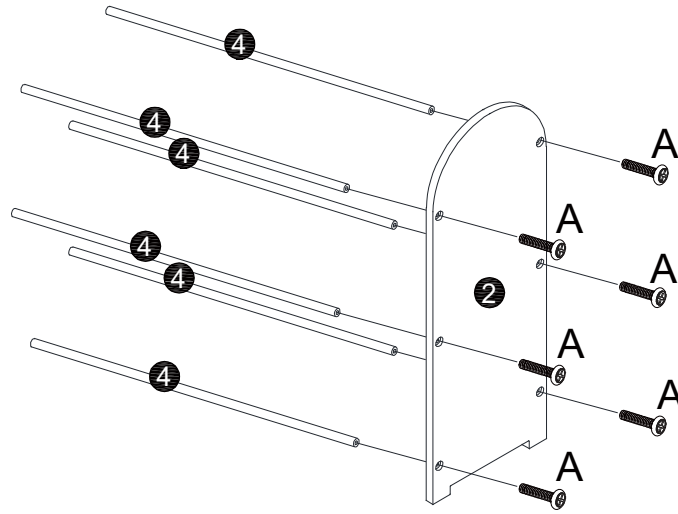
Parts List				
PART	DESCRIPTION	QTY	BOX	
1	Left Side Panel	1	1	
2	Right Side Panel	1	1	
3	Back Support Tube	3	1	
4	Support Tube	6	1	
5	Storage box	6	1	


HARDWARE (IN BOX 1)

A		M6x20mm	12
---	---	---------	----

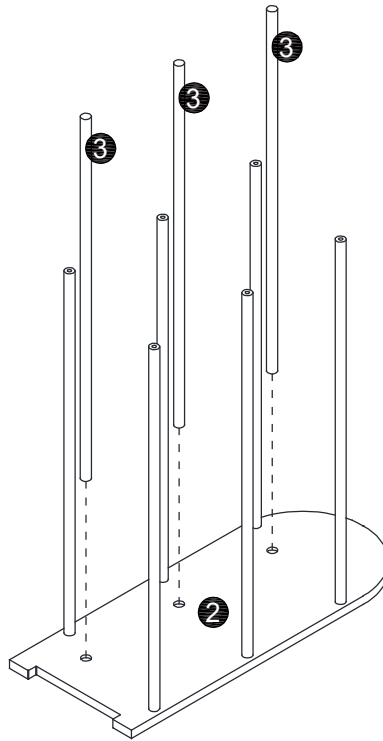
**You will need a Phillips head screwdriver (not provided).

01

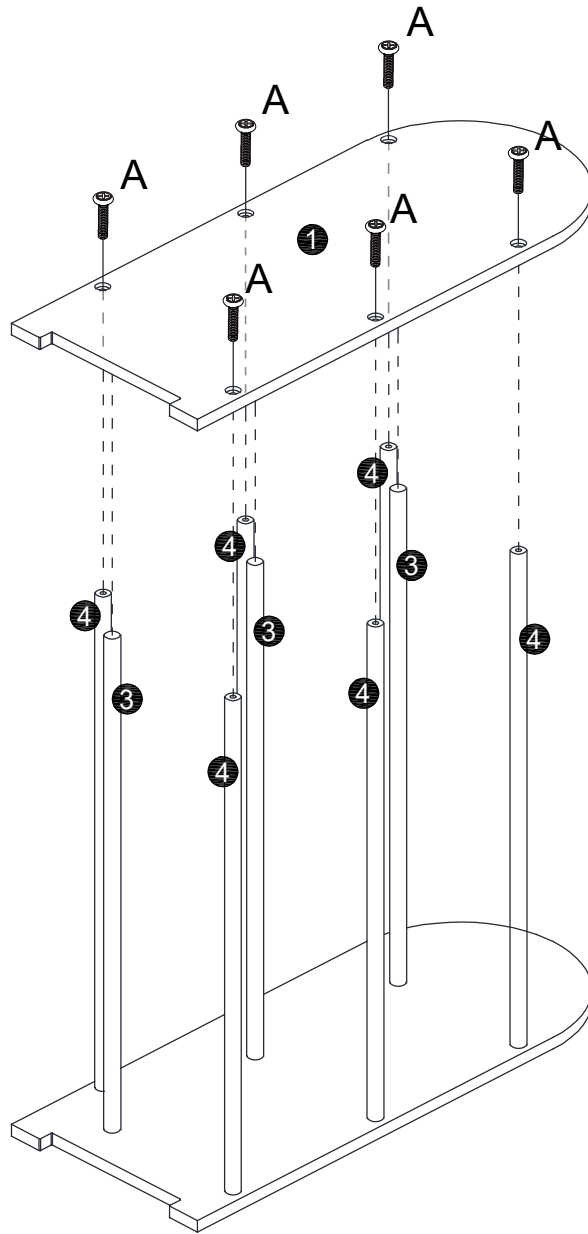


A	 M6x20mm	6
---	---	---

02



03



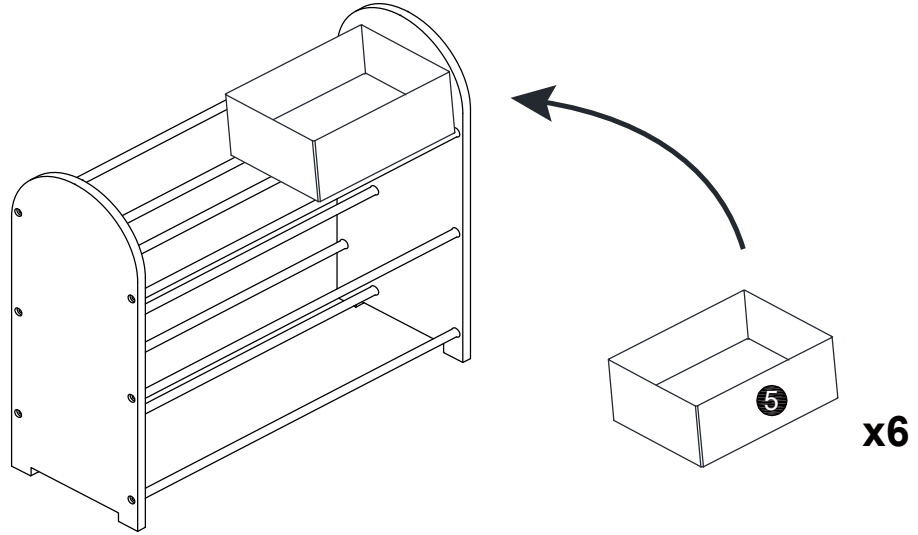
A



M6x20mm

6

04



05

