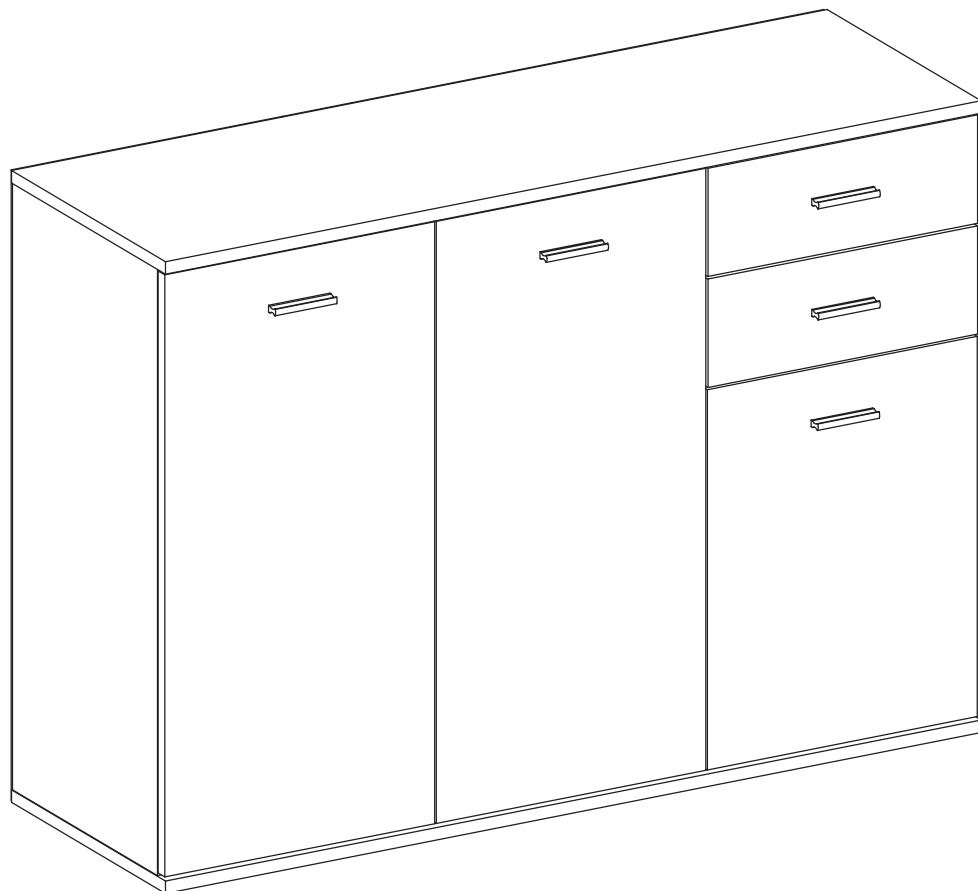
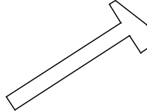
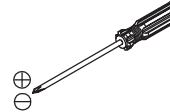


Assembly Instruction

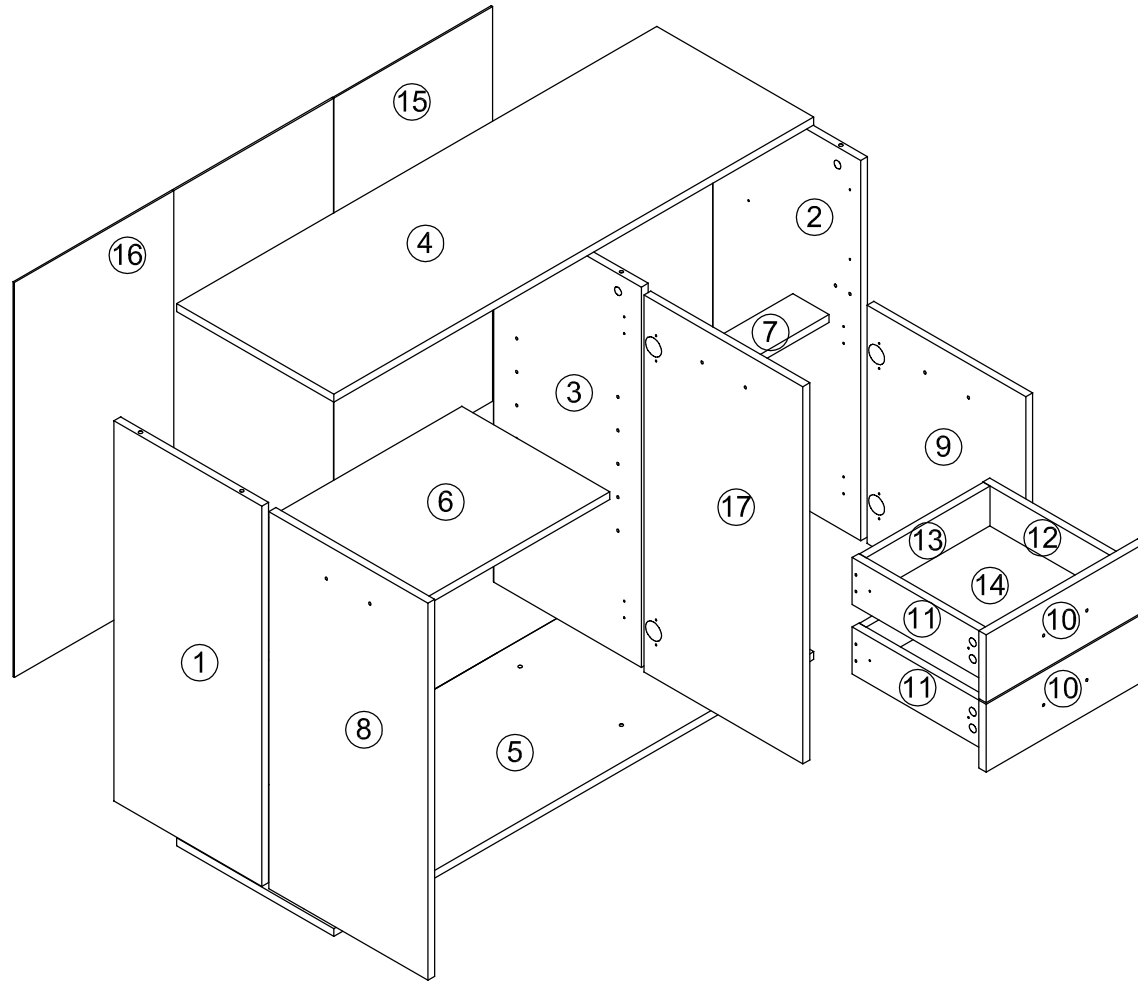


NO.	QTY.	LINEDRAWING	DESCRIPTION
(A)	18		
(B)	18		
(C)	52	Ø3.5*14	
(D)	8	Ø3.5*35	
(E)	4		
(F)	6	Ø7*50	
(G)	5		
(H)	10		
(I)	6		
(J)	30		
(K)	5		
(L)	4		
(M)	4		
(N)	2		



 Hammer and Screwdriver
 are not included !!

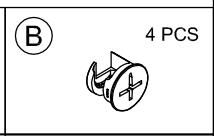
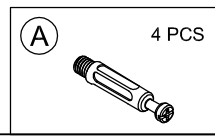
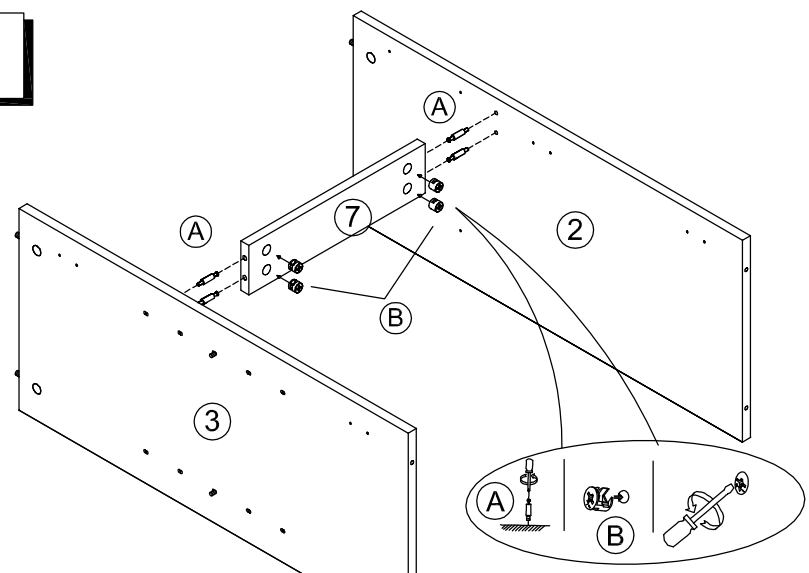


PARTS LIST

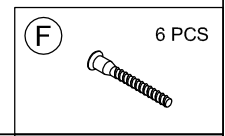
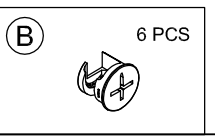
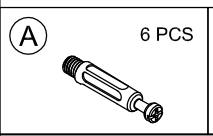
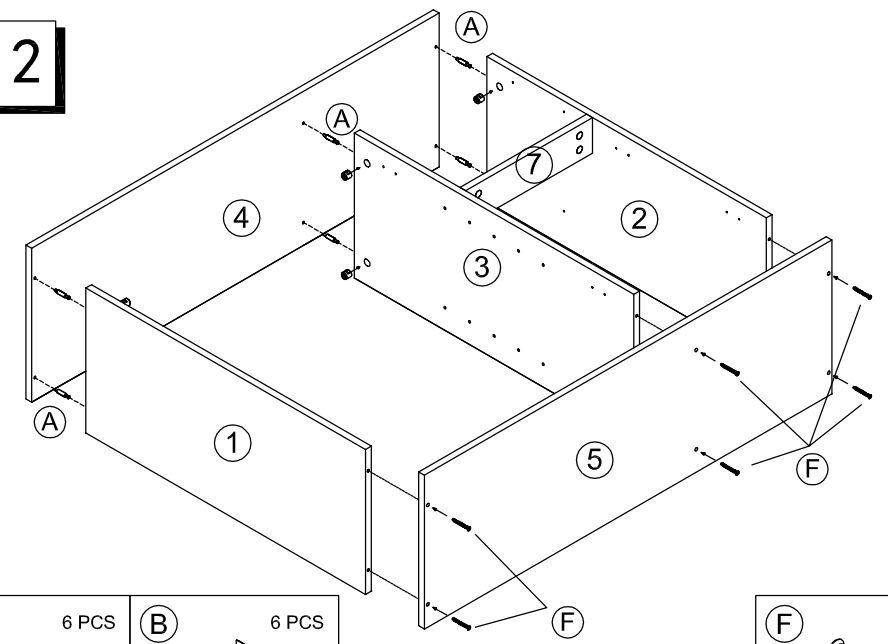


NO.	QTY.	LINEDRAWING	DESCRIPTION
①	1		
②	1		
③	1		
④	1		
⑤	1		
⑥	1		
⑦	1		
⑧	1		
⑨	1		
⑩	2		
⑪	2		
⑫	2		
⑬	2		
⑭	2		
⑮	1		
⑯	1		
⑰	1		

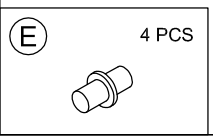
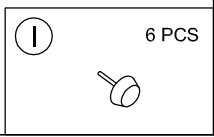
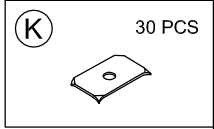
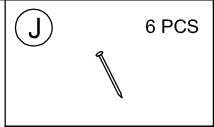
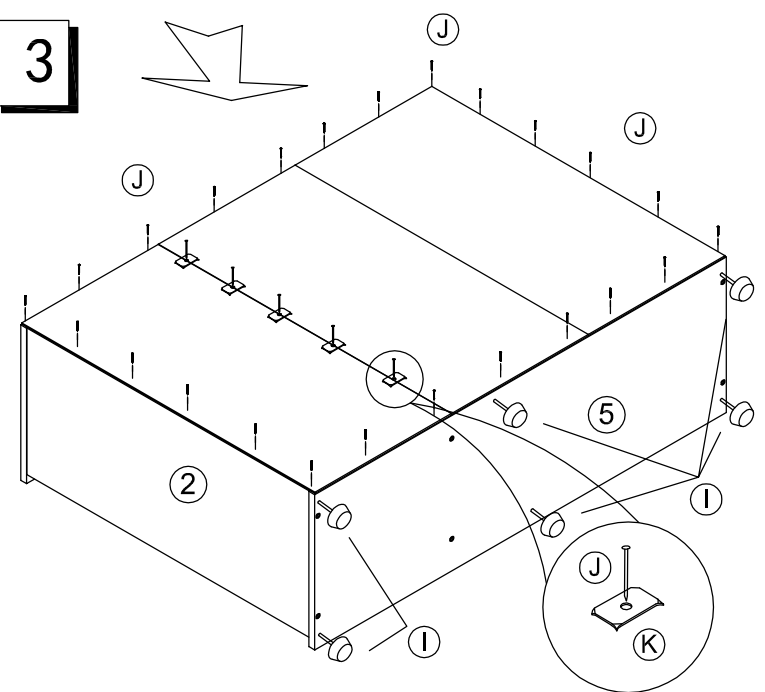
1



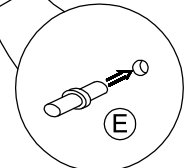
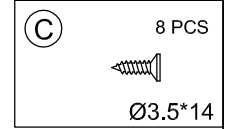
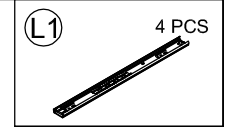
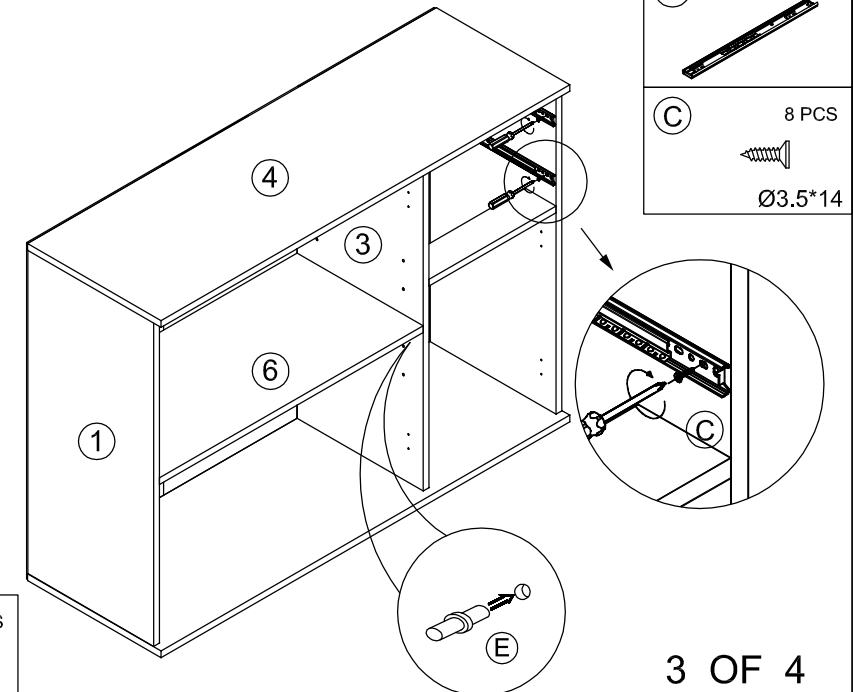
2

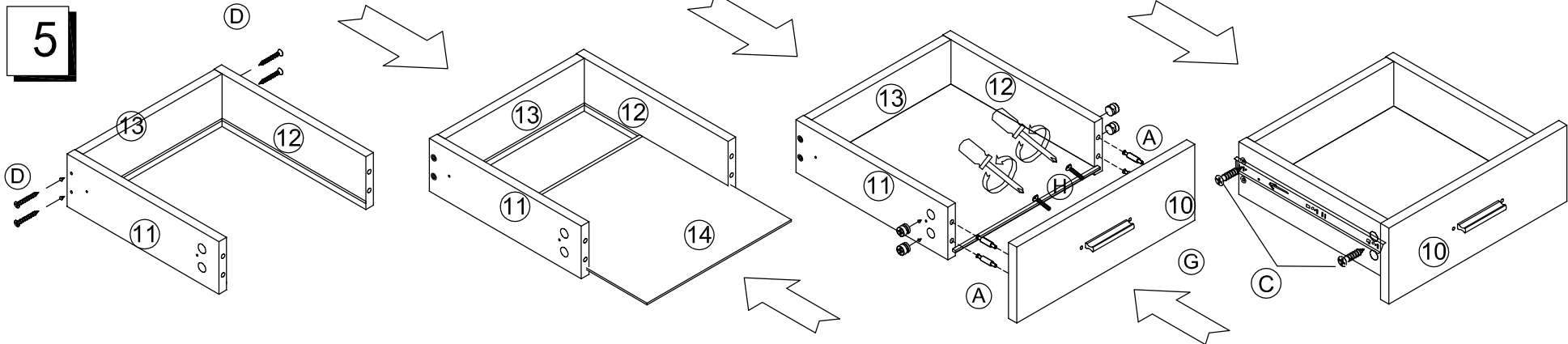


3



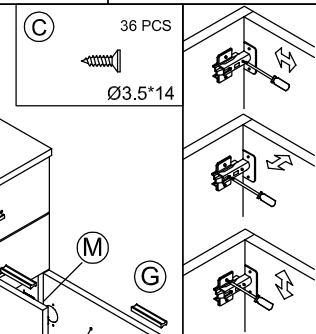
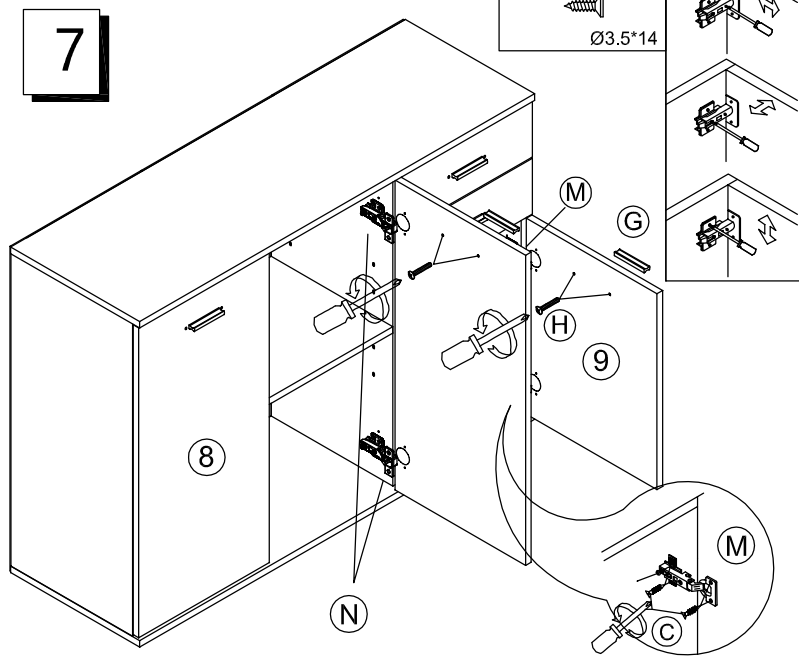
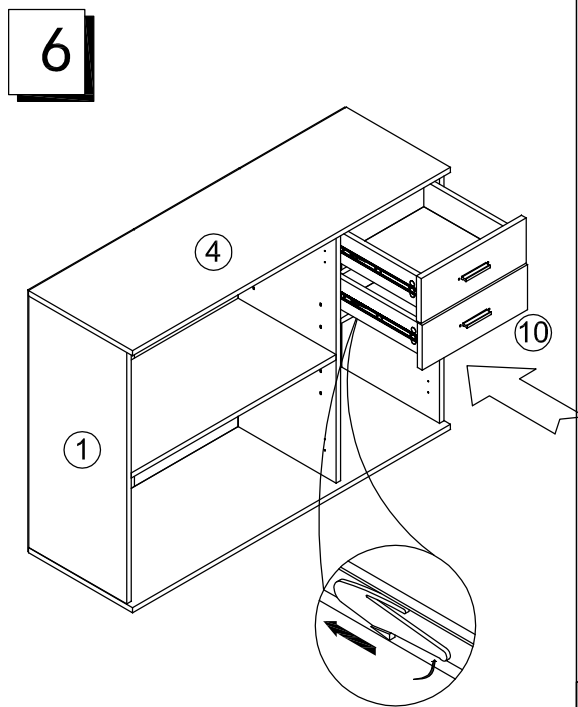
4





x2

(A) 8 PCS	(B) 8 PCS	(G) 2 PCS	(H) 4 PCS	(D) 8 PCS	(L2) 4 PCS	(C) 8 PCS



(G) 3 PCS	(H) 6 PCS	(M) 4 PCS	(N) 2 PCS

