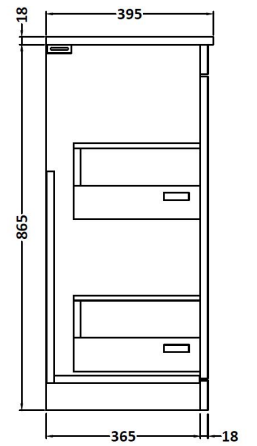
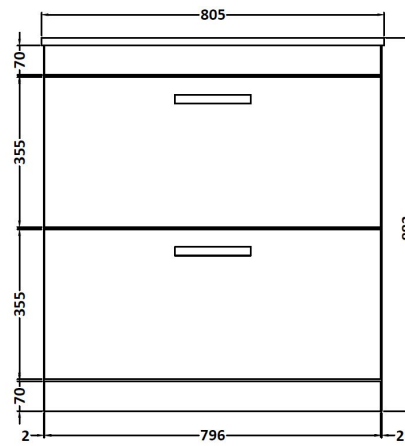


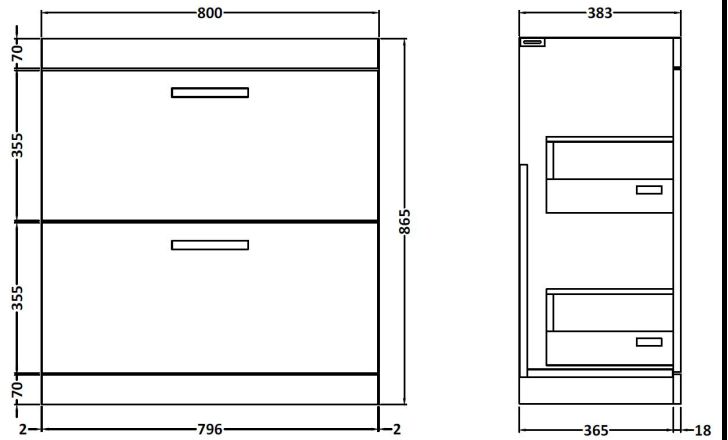
# CUSTOMER DATA SHEET

**DESCRIPTION:** 800 Fs 2-Drawer Vanity With Basin B



# CUSTOMER DATA SHEET - FURNITURE

**DESCRIPTION:** 800 Floor Standing 2-Drawer Basin Unit



### PRODUCT DIMENSIONS

Height (mm)	Width (mm)	Depth (mm)	Nett Wgt Kg
865	800	383	38

### PACKAGING DIMENSIONS

Height (mm)	Width (mm)	Depth (mm)	Gross Wgt Kg
405	820	885	38

### PACKAGING DATA

Box Colour	Brown Cardboard Box		
Box Qty	1	Label Colour	White Label
Label Size	100 x 50	Label Qty	2

### OUTER BOX DIMENSIONS (If Applicable)

Height (mm)	Width (mm)	Depth (mm)	Gross Wgt Kg

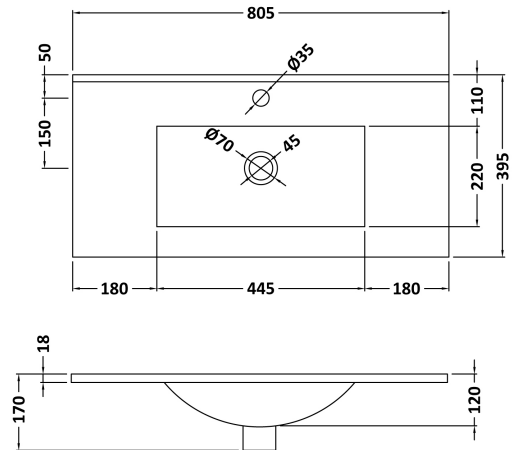
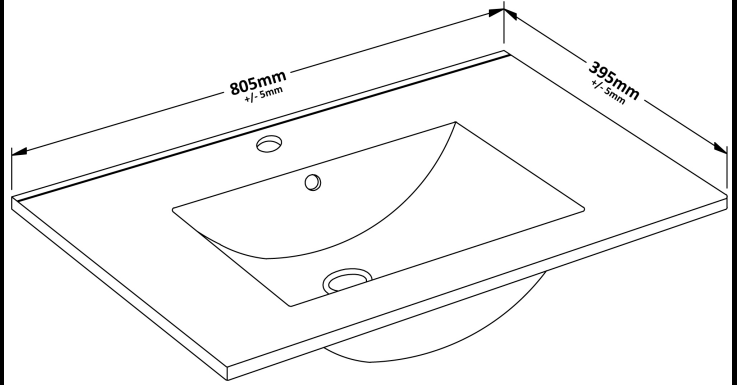
### PRODUCT DETAILS

Country of Origin	United Kingdom
Fitting Instruction	No
Constr' Method	Cam & Wood Dowel
Cabinet Finish	MFC Textured Woodgrain
Cab Thickness (mm)	18
Drawer Included	Yes
No of Shelves	0
Hinge Inc'	Not Applicable
Fixings Inc'	Yes
Handle Inc'	Yes, Supplied
Handle Type	Strap

Certification	FSC	Yes	CE	N/A
Colour	Driftwood			
Constr' Type	Rigid			
Fascia Finish	MFC Textured Woodgrain			
Fas Thickness (mm)	18			
Drawer Type	80mm High Metal S/C Inc Galler			
Hinge Type	Not Applicable			
Adjustable Legs	No, Not Required			
Handle Style	Contemporary			
Waste Shroud	Yes			

# CUSTOMER DATA SHEET - CERAMICS

**DESCRIPTION:** Basin 800mm



### PRODUCT DIMENSIONS

Height (mm)	Width (mm)	Depth (mm)	Nett Wgt Kg
170	800	390	16.9

### PACKAGING DIMENSIONS

Height (mm)	Width (mm)	Depth (mm)	Gross Wgt Kg
400	820	200	16.9

### PACKAGING DATA

Box Colour	Brown Cardboard Box - Printed		
Box Qty	1	Label Colour	White Label
Label Size	100 x 50	Label Qty	2

### OUTER BOX DIMENSIONS (If Applicable)

Height (mm)	Width (mm)	Depth (mm)	Gross Wgt Kg

### PRODUCT DETAILS

Country of Origin	China
Fitting Instruction	No

Certification	CE	No	WRAS	N/A	WRAS Number	N/A
Product Material	Vitreous China					

### PANS/BIDETS

Trap Style	Not Applicable	Includes Seat	Not Applicable
------------	----------------	---------------	----------------

### CISTERNS

Fittings	Not Applicable	Operating Type	Not Applicable
Lever Type	Not Applicable		

### SEAT

Type	Not Applicable	Function	Not Applicable
Material	Not Applicable		
Hinge Type	Not Applicable	Hinge Material	Not Applicable

### BASINS

Tap Hole	One Taphole	Chain Stay Hole	No
Template	Not Required	Waste Type Req'd	Slotted
Overflow Incl.	Yes	Overflow Cover	Yes
Inner Bowl Depth	210mm		

### GENERAL

Fixing Supplied	No
-----------------	----