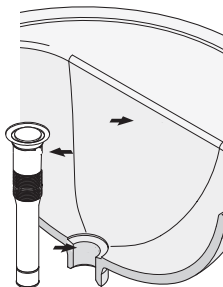


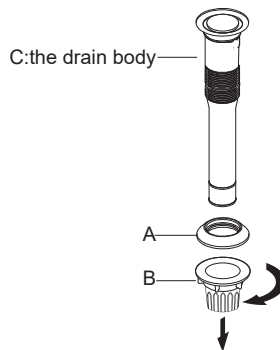


NOTES:

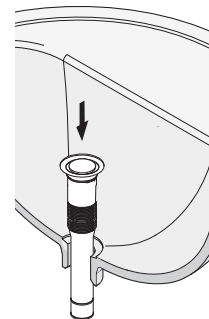
- Fits for sink WITHOUT overflow hole.
- Clean the sink hole, make sure to remove debris.
- Please avoid using plumber's putty. The seal on top is leak-free. Plumber's putty might cause damage.
- Silicone and plumbing tape can be used for sealing requirement.



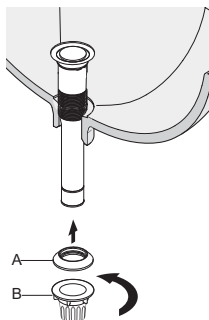
1 Unscrew components A & B to the seal.



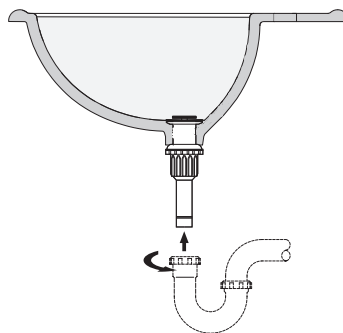
2 Slide the drain body C through the hole in the sink.



3 Screw components A & B back on as shown.



4 Connect the rear end of the drain to the Drain Pipe.



5 Push to activate.

