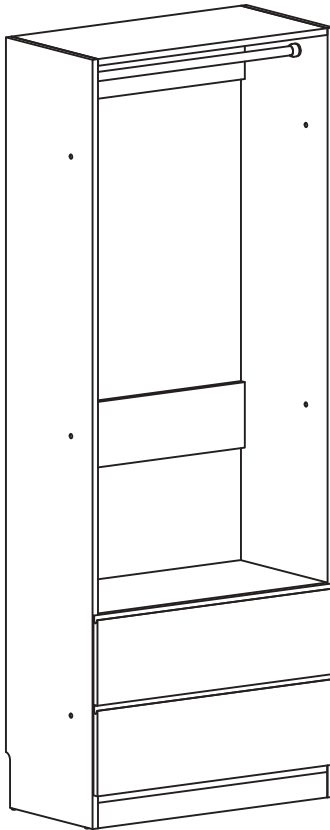




KLAIR LIVING

Assembly Instructions



PROSPER CLOSET PROSPER - C



60 minutes
2 Persons Assembly

Additional tools required:
Cross point screwdriver



IMPORTANT! READ CAREFULLY AND RETAIN FOR FUTURE REFERENCE

Due to small parts keep children clear during assembly.

Carefully layout all the parts on a clean, flat surface and compare with the parts checklist. Please retain all packaging until you are sure no parts are missing, then once you are satisfied with the product please dispose of all packaging responsibly.

Ensure all fittings are fully tightened before use and checked regularly and re-tightened as necessary.

During assembly take care not to overtighten the bolts.

When positioning your furniture ensure the ground is firm, level and dry.

Do not position your furniture in direct sunlight or close to a source of heat.

Take care when handling or moving furniture, always lift with assistance to avoid damaging your product.



WARNING!

Serious or fatal crushing injuries can occur from furniture tipping over. To help prevent this please observe the following:

Do not let children climb or hang on the drawers, doors or shelves.

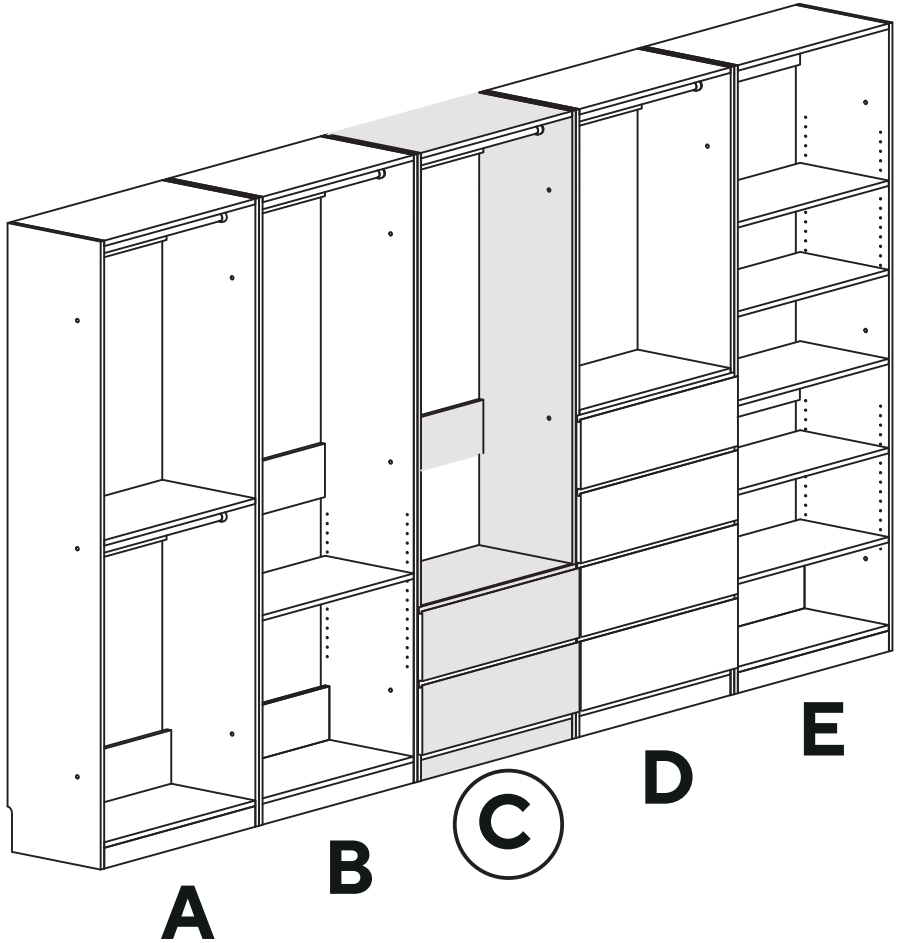
Place heaviest items in the lower drawers or shelves.

Do not place heavy objects on top of this product unless it has been specifically designed to support them.


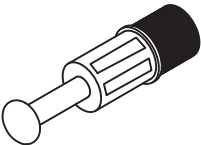

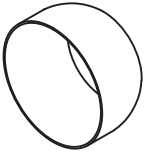
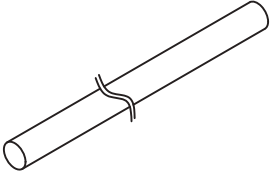
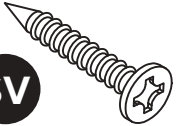

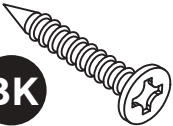
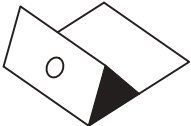
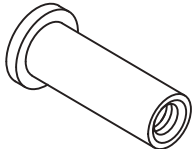
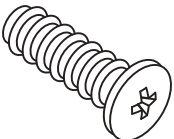
Never open more than one drawer at a time.

If you require any additional information or help on assembly,
please contact sales@garagetechusa.com

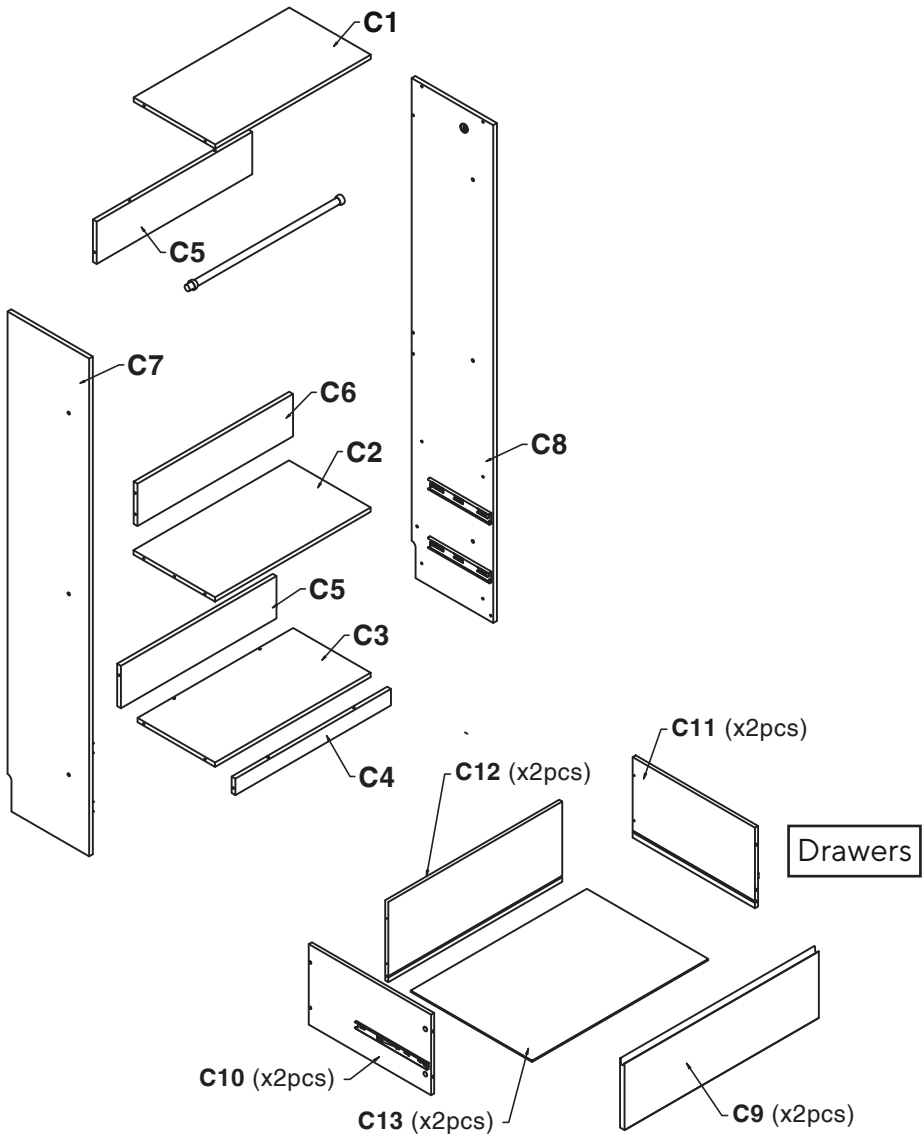
PROSPER CLOSET



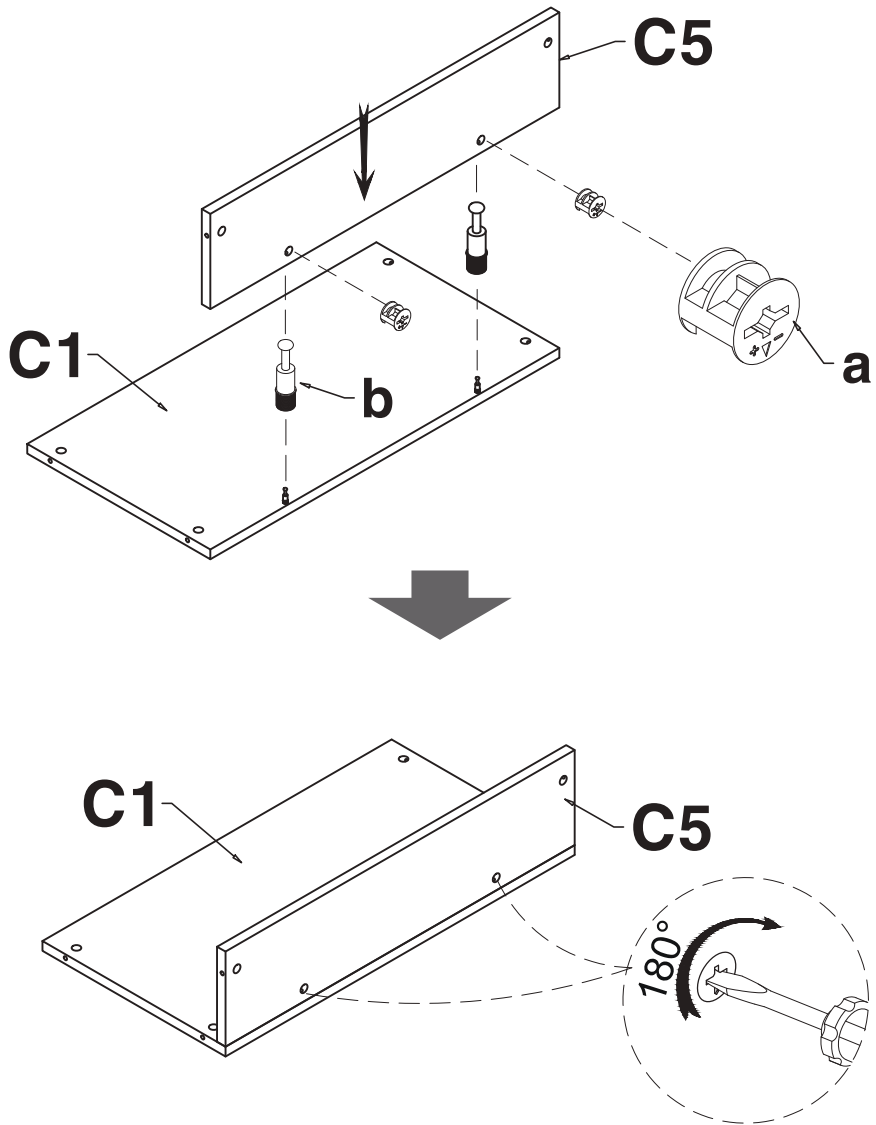
Fixings List

<p>a - 36pcs</p>  <p>Housing 15T</p>	<p>b - 36pcs</p>  <p>Spreading bolt</p>	<p>c1 - 2pcs</p>  <p>Hanger bracket</p>
<p>c2 - 2pcs</p>  <p>Hanger bracket</p>	<p>c3 - 1pc</p>  <p>Hanger</p>	<p>d - 4pcs</p>  <p>SV</p> <p>Screw M3 x 16</p>
<p>e - 8pcs</p>  <p>BK</p> <p>Screw M3.5 x 25</p>	<p>f - 8pcs</p>  <p>BK</p> <p>Screw M2.7 x 16</p>	<p>g - 8cs</p>  <p>Plastic support</p>
<p>h - 3pcs</p>  <p>Grip M6 x 25</p>	<p>j - 3pcs</p>  <p>Bolt M6 x 20</p>	

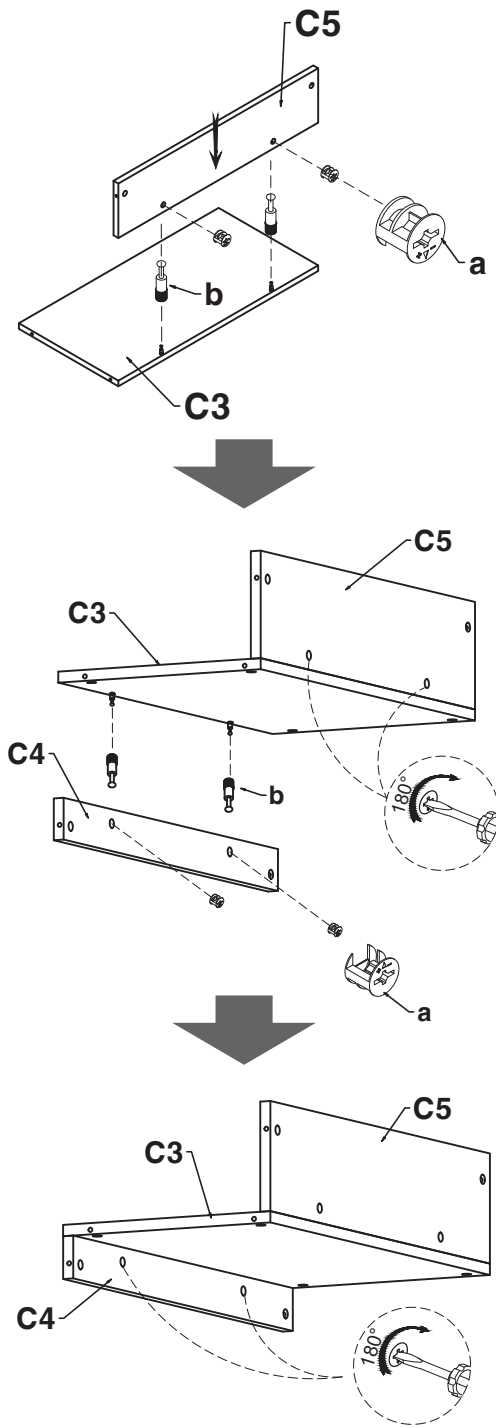
Parts List



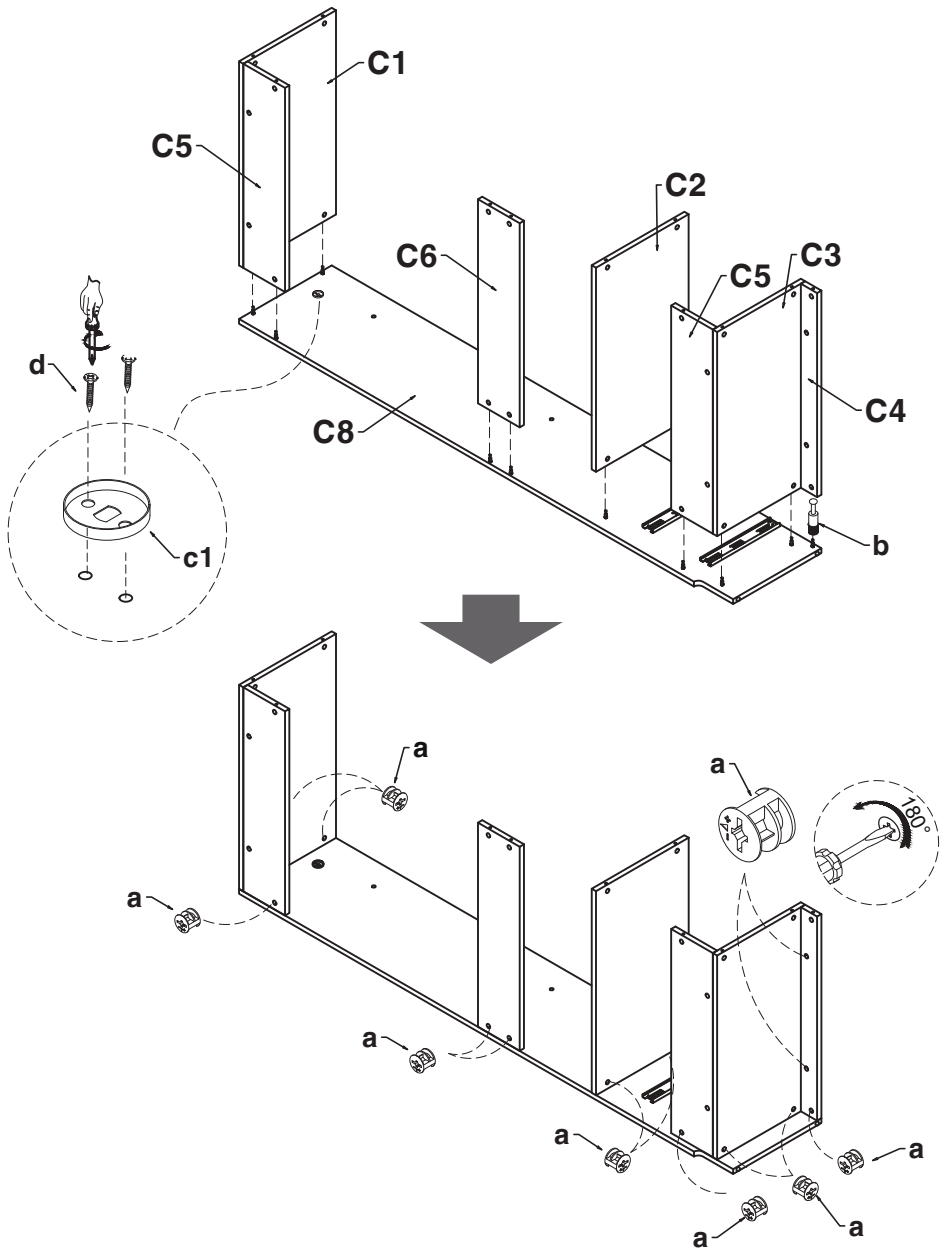
Step - 1



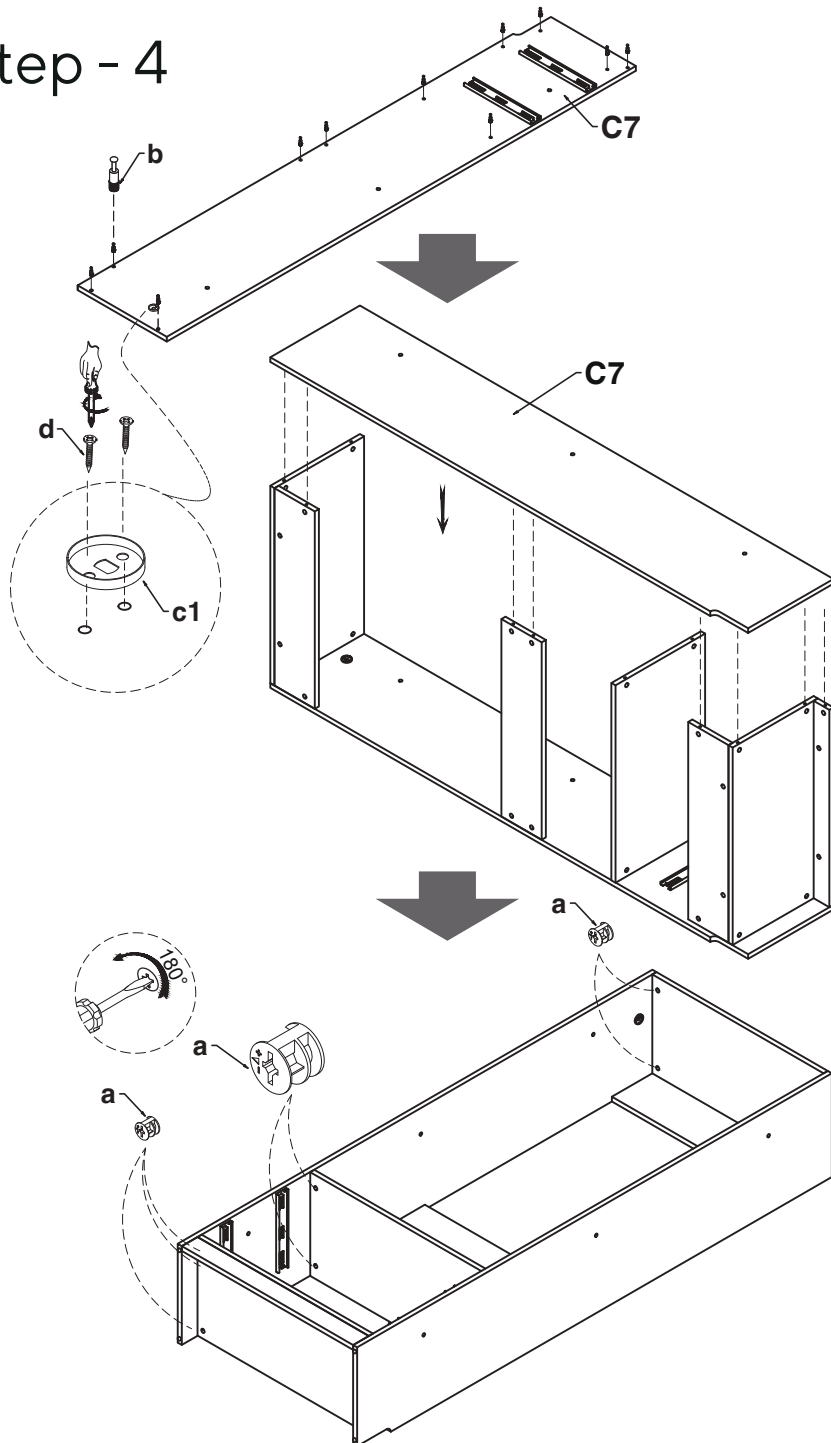
Step - 2



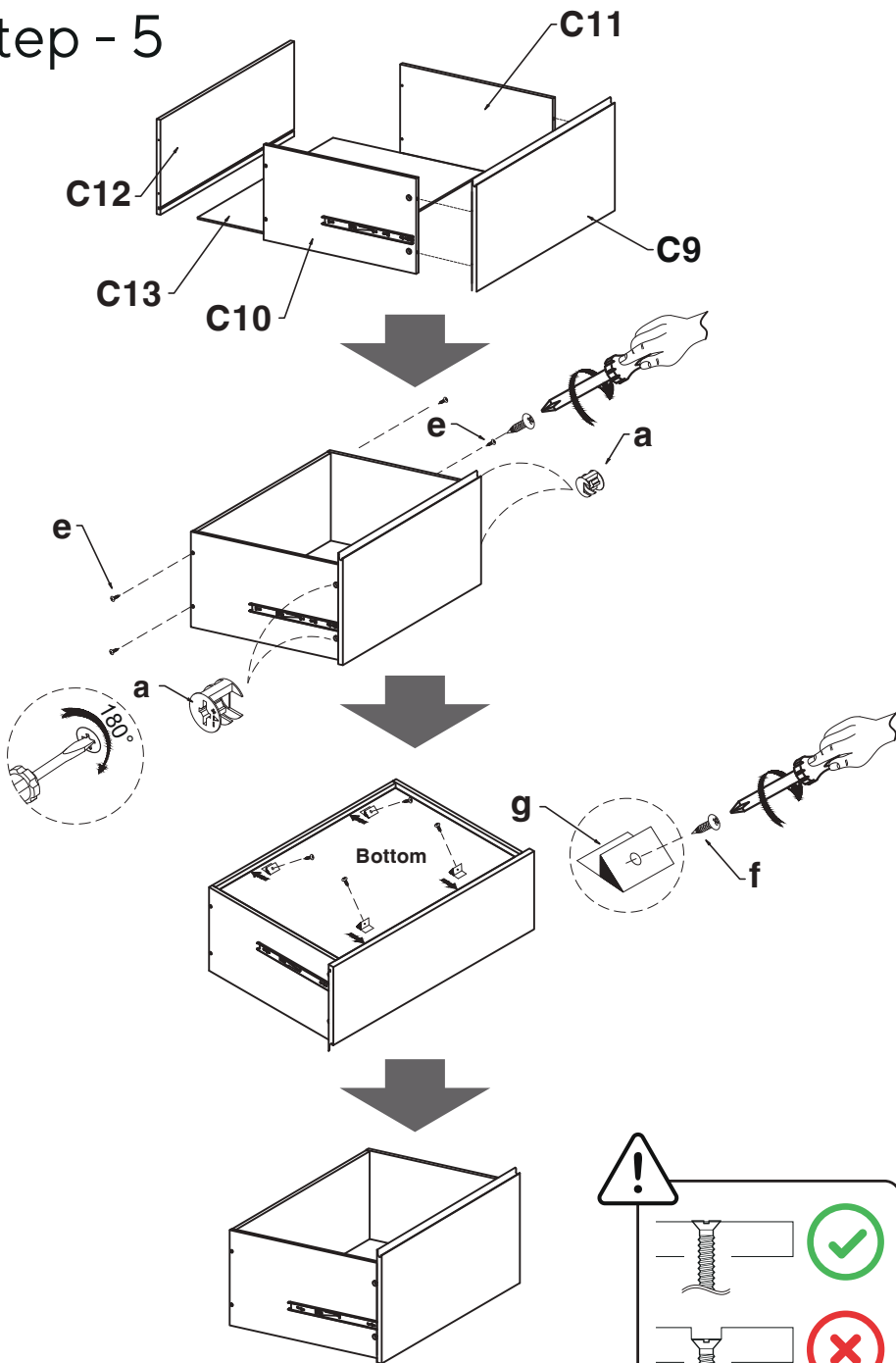
Step - 3



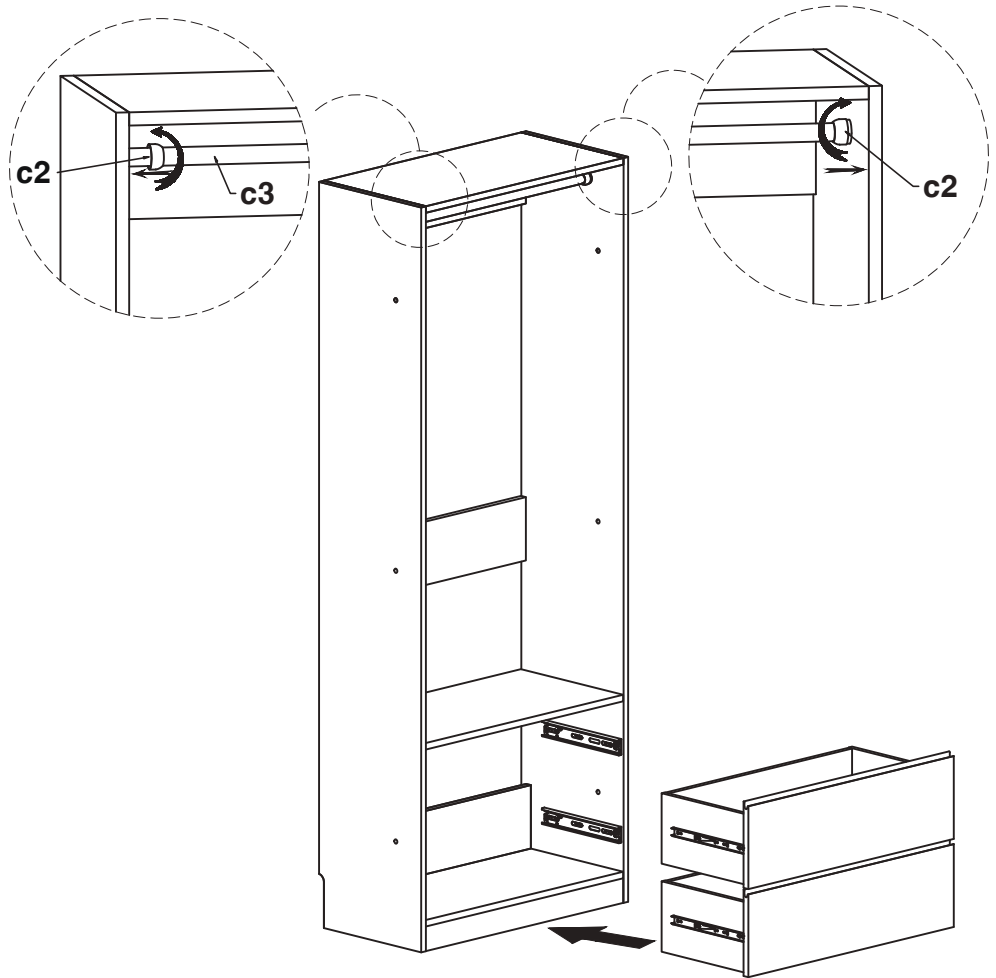
Step - 4



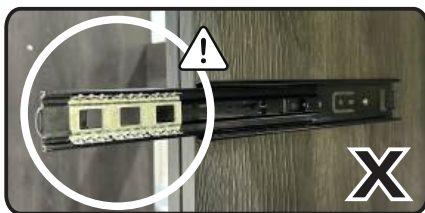
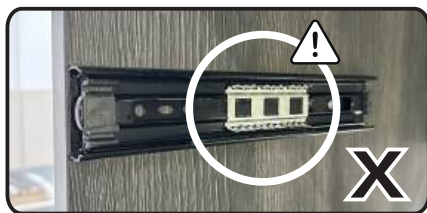
Step - 5



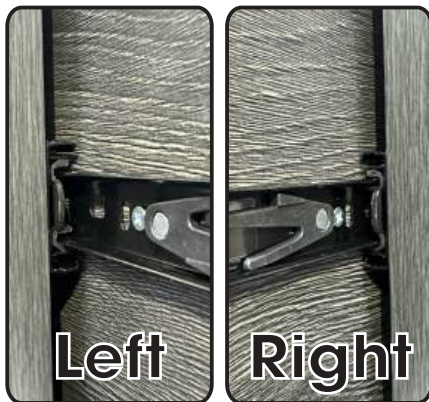
Step - 6



BE CAREFUL !



1



2



3



4

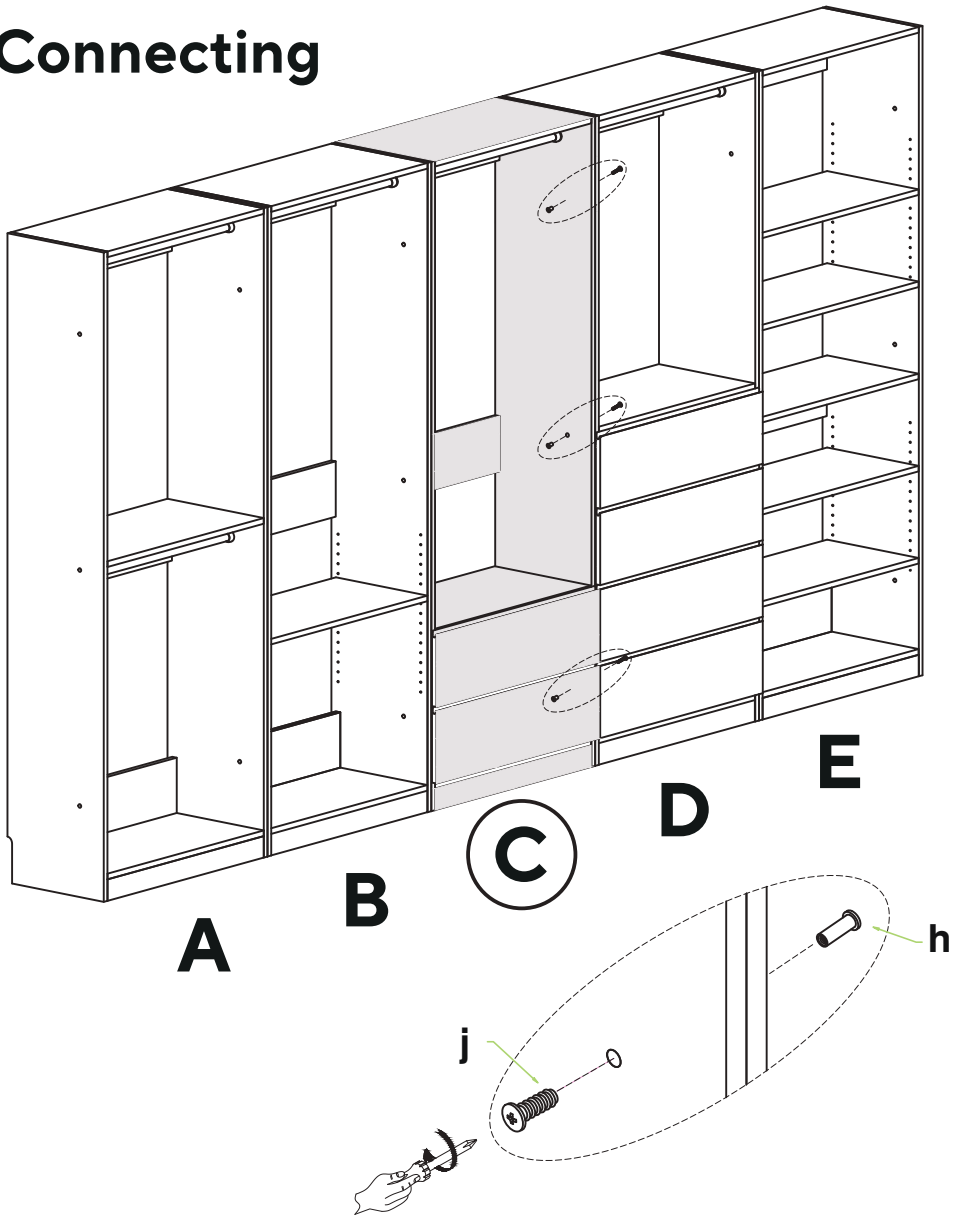


Done

Align the drawer slides from both sides and push in.
After hearing the click sound from both sides, quickly and firmly
push the drawer all the way to ensure both drawer slides sit correctly.

Step - 7

Connecting



If you require any additional information or help on assembly,
please contact **sales@garagetechusa.com**



KLAIR LIVING