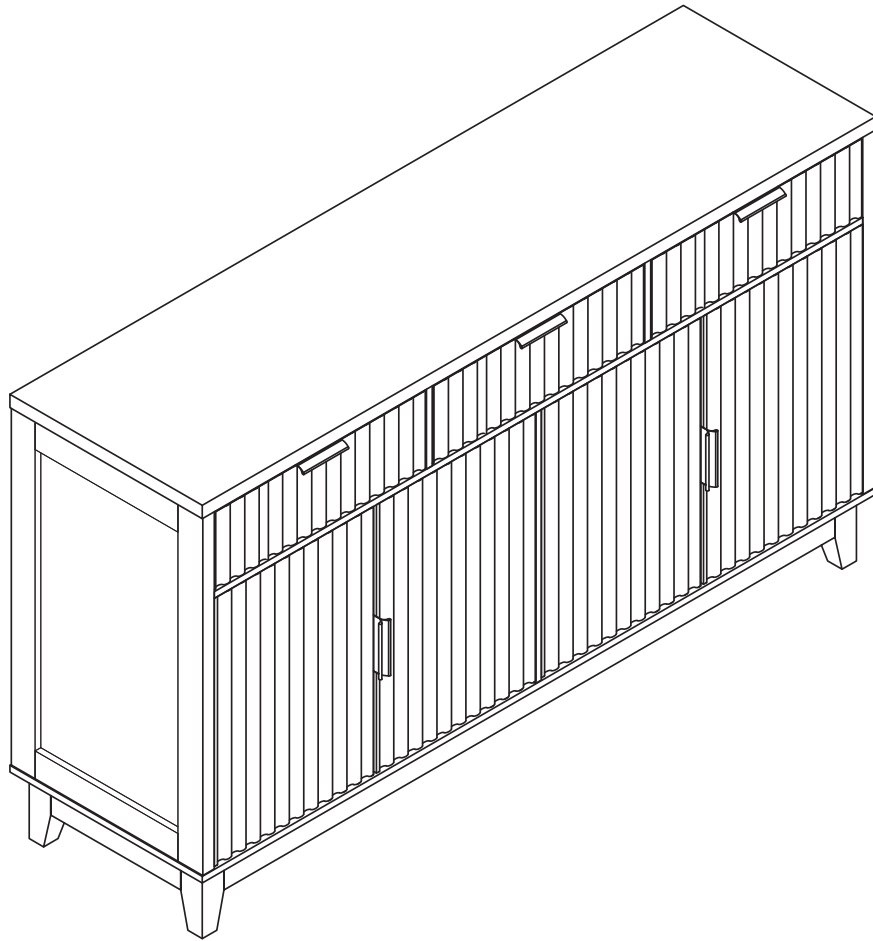


Installation & Assembly



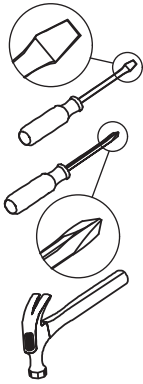
As this item contains many parts, please read the installation instruction carefully before installation.

Please use tools properly and carefully.

If you have any questions about the product and installation, **please** contact us.

Our professional after-sales team will serve you online.

Before You Start



- ✓ Read through each step carefully and follow the proper order
- ✓ Separate and count all your parts and hardware
- ✓ Give yourself enough room for the assembly process
- ✓ Have the following tools: Flat Head Screwdriver, #2 Phillips Head Screwdriver and Hammer
- ✓ Caution: If using a power drill or power screwdriver for screwing, please be aware of to slow down and stop when screw is tight. Failure to do so may result in stripping the screw. (Assembly speed can be increased by using electric screwdriver)

Helpful Hints

PEOPLE NEEDED FOR ASSEMBLY: 1-2

- Open your item in the area you plan to keep it to avoid excessive heavy lifting.

-Identify, sort and count the parts before attempting assembly.

-Compression dowels are lightly tapped in with a hammer.

-Slides are labeled with an R (right) and L (left) for proper placement.

-Make sure to always face the point on the top of the Cam Lock towards the outer edge.

-If there is a back panel in the package, please install it to make sure your unit is complete and sturdy.

-Please fix all the screws provided for the back panel which can enhance product stability. If it is difficult to fix it when tightening, it can be fixed with the help of a hammer and then tightened.

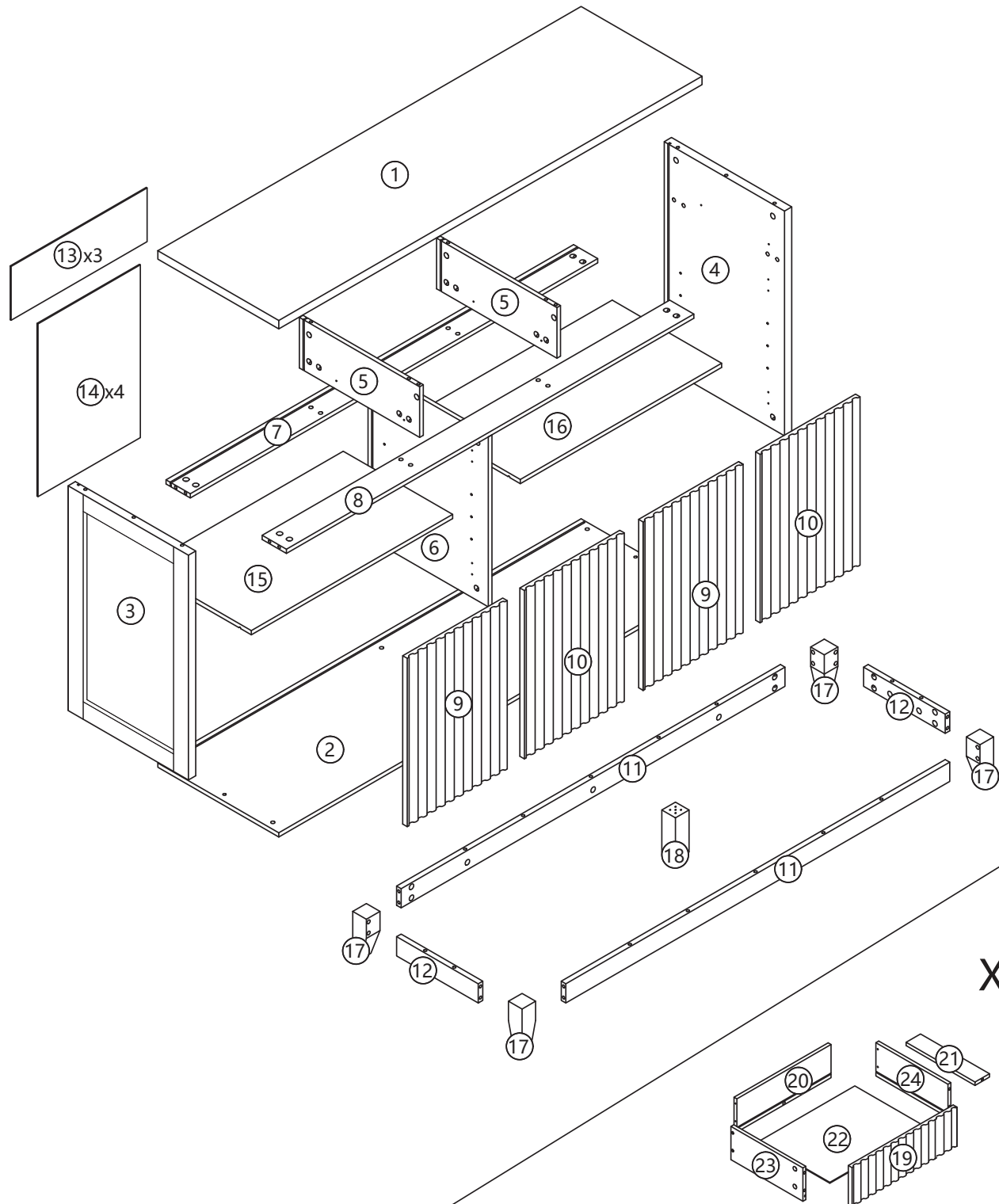
-Do NOT use harsh chemicals or abrasive cleaners on this item.

-Never push, pull, or drag your furniture.



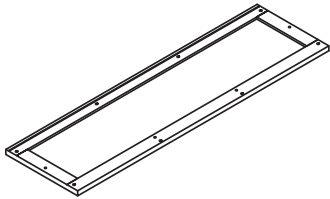
Board Identification

Not actual size



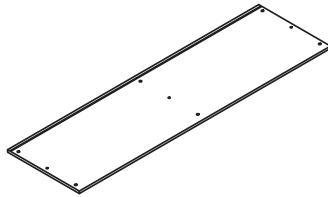
Board Identification

Not actual size



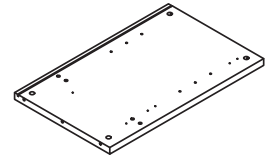
① x1

DESK TOP



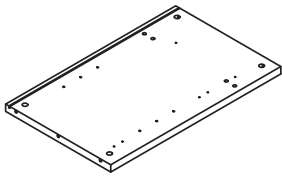
② x1

BOTTOM PANEL



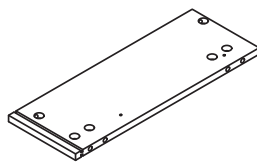
③ x1

LEFT SIDE PANEL



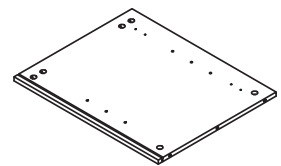
④ x1

RIGHT SIDE PANEL



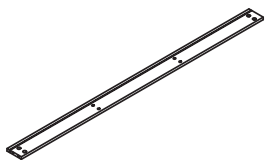
⑤ x2

upper middle partition



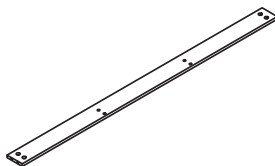
⑥ x1

Lower neutral plate



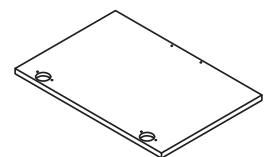
⑦ x1

rear partition



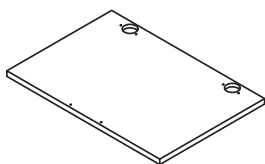
⑧ x1

Front partition



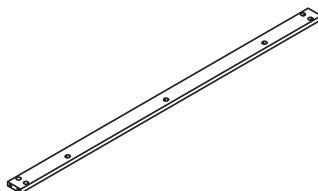
⑨ x2

left door panel



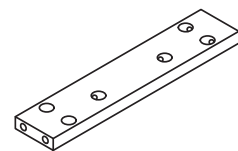
⑩ x2

Right door panel



⑪ x2

FRONT / REAR APRON

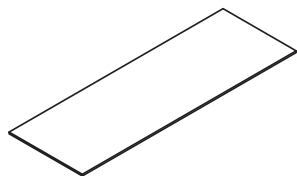


⑫ x2

LEFT / RIGHT APRON

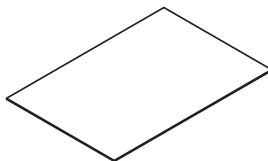
Board Identification

Not actual size



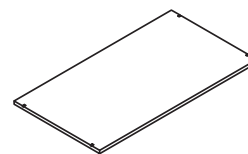
⑬ x3

Top backboard



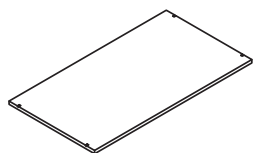
⑭ x4

Lower Back Plate



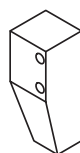
⑮ x1

LEFT SHELF



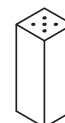
⑯ x1

RIGHT SHELF



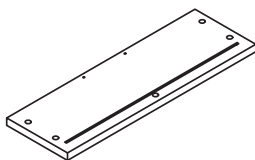
⑰ x4

WOODEN LEGL



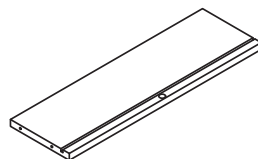
⑱ x1

WOODEN LEGL



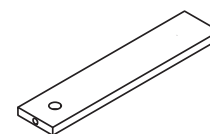
⑲ x3

DRAWER PANEL



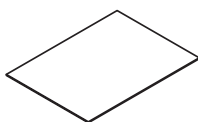
⑳ x3

BACK DRAWER BLOCK



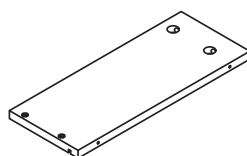
㉑ x3

Drawer pull



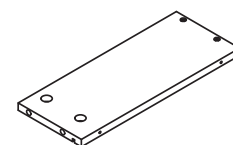
㉒ x3

DRAWER BOTTOM



㉓ x3

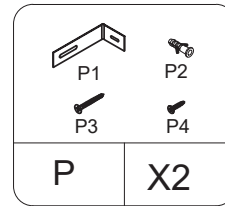
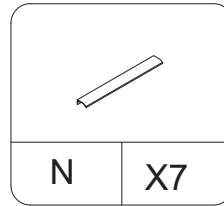
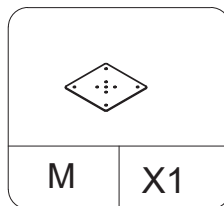
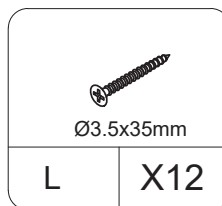
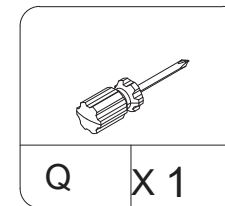
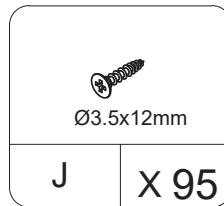
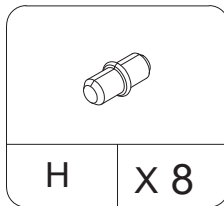
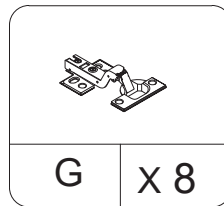
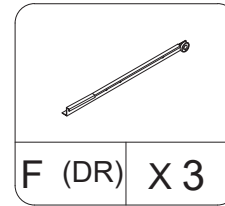
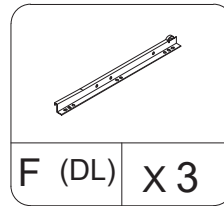
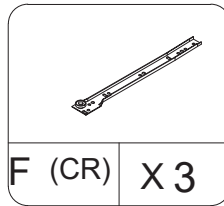
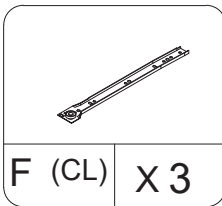
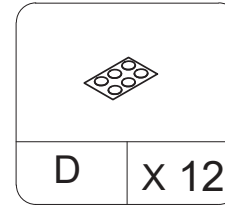
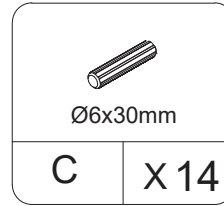
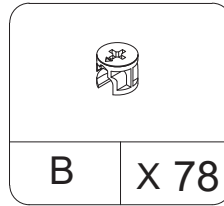
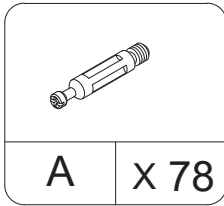
LEFT DRAWER SIDE



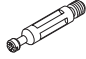



㉔ x3

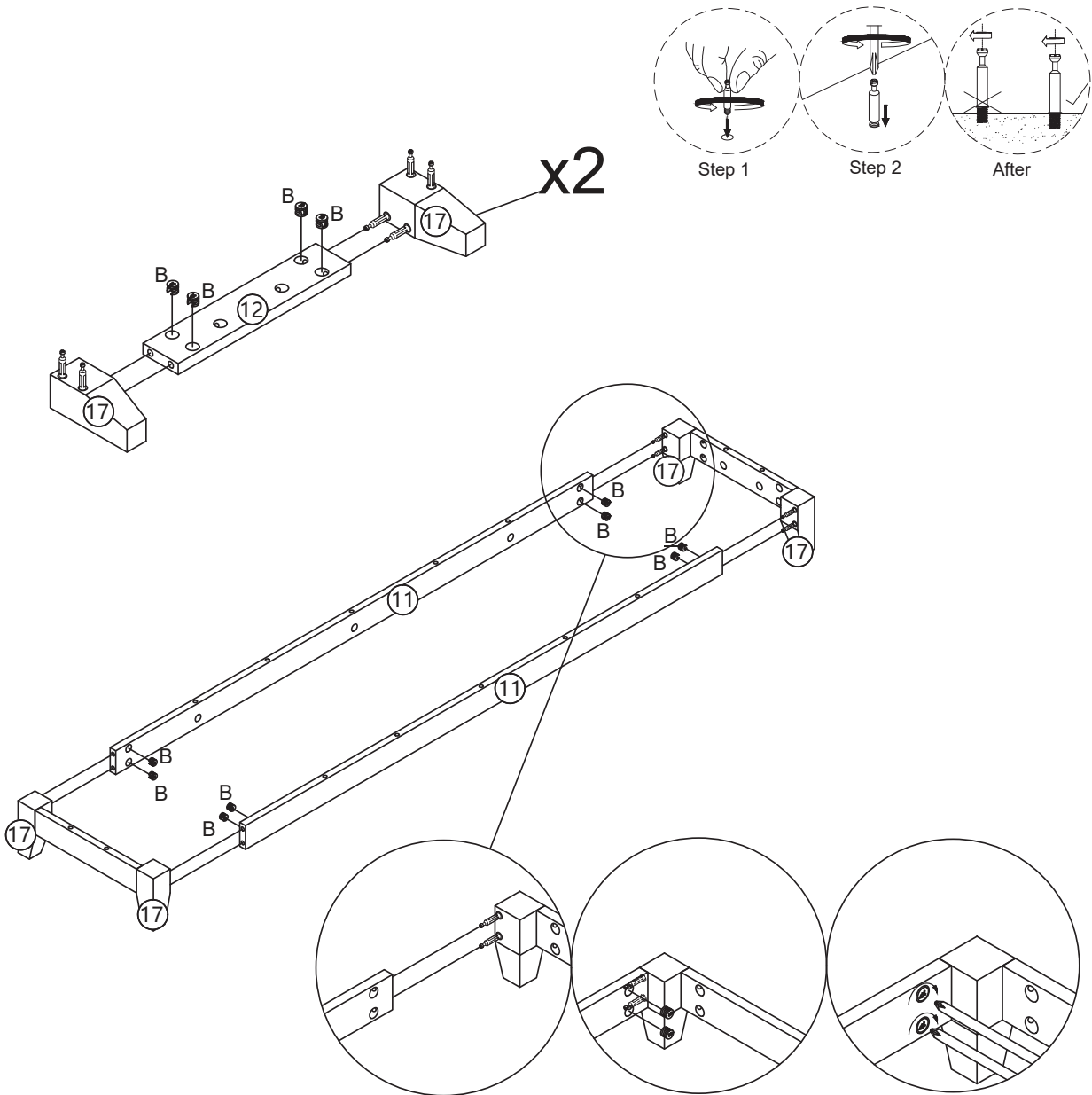
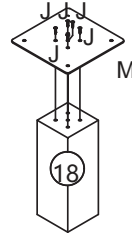
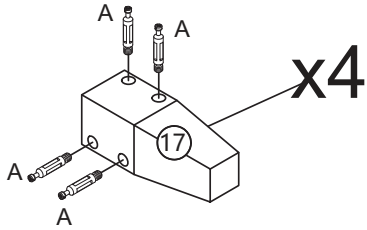
RIGHT DRAWER SIDE

Part List




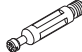


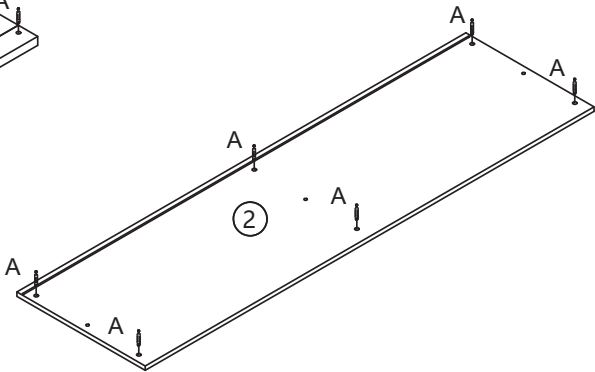
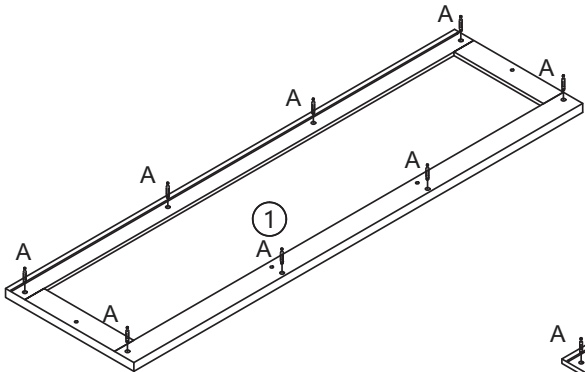
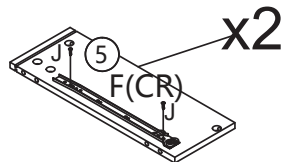
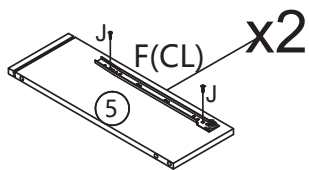
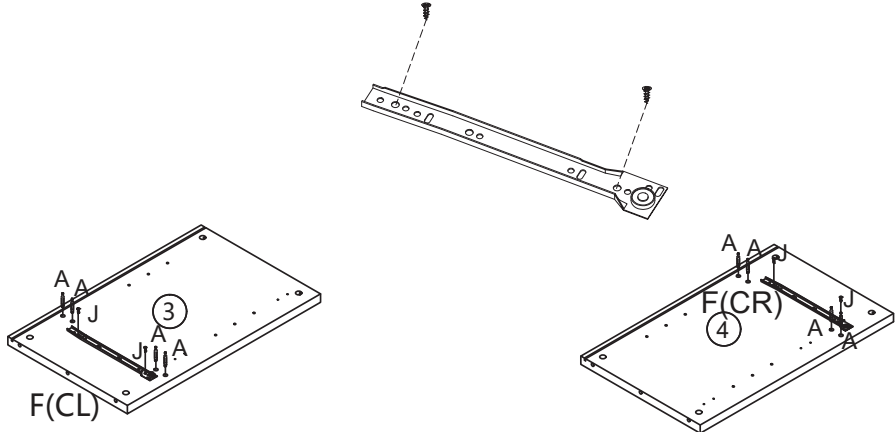
STEP:1

		 Ø3.5x12mm					
A	X 16	B	X 16	J	X 5	M	X 1

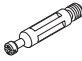


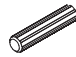


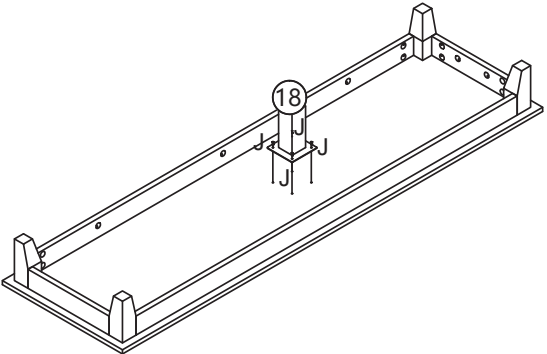
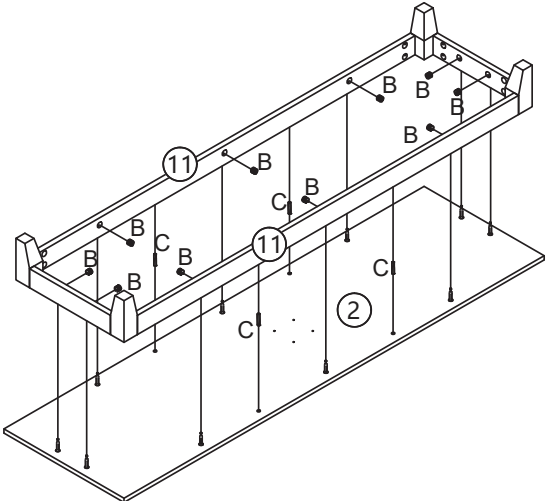
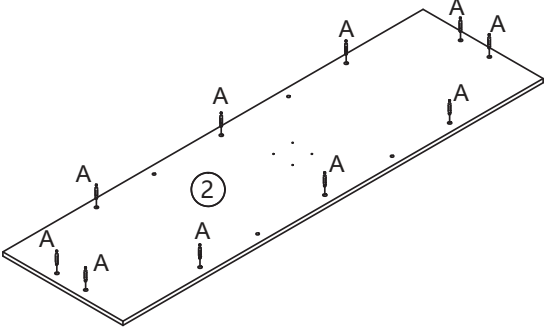
STEP:2

		 Ø3.5x12mm	
F (CL) X 3	F (CR) X 3	J X 12	A X 22

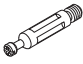



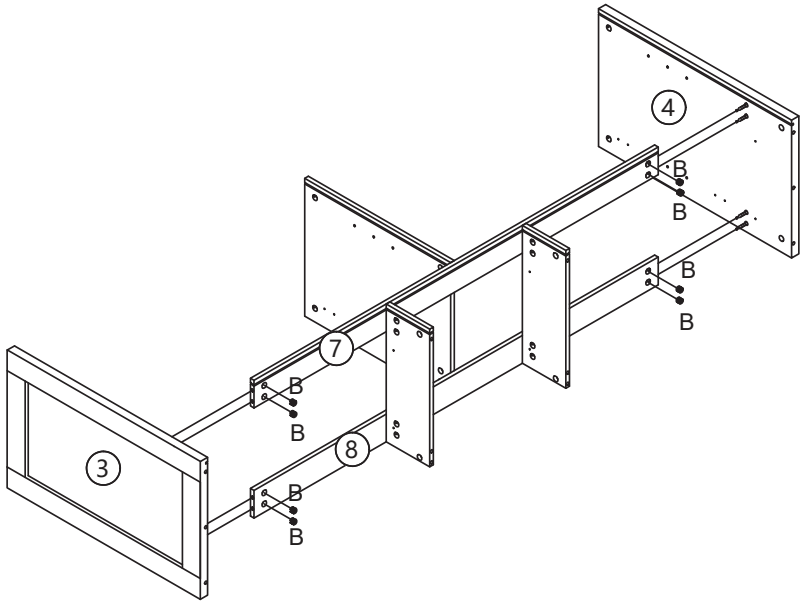
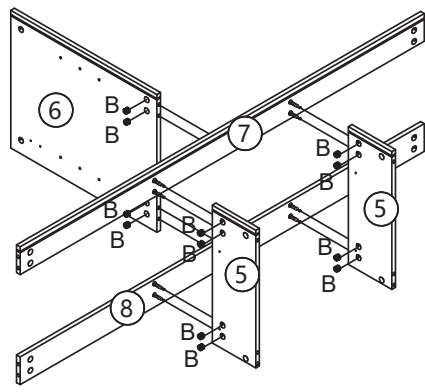
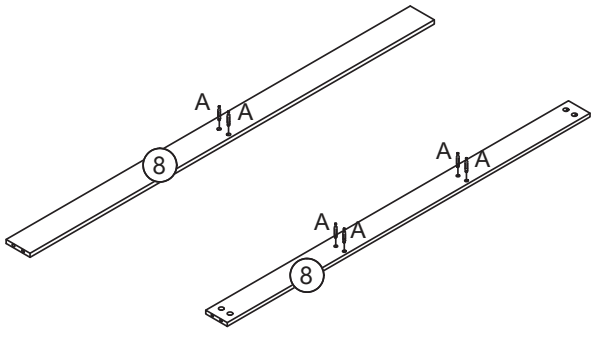
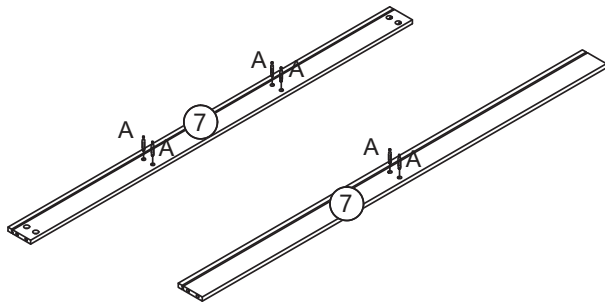
STEP:3

			
A	B	J	C
X 10	X 10	X 4	X 4







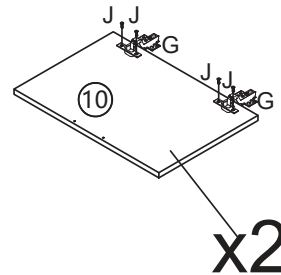
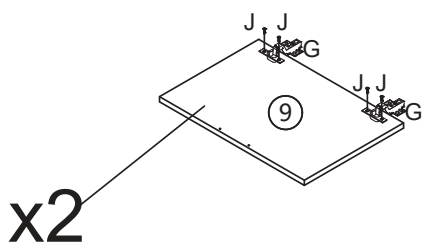
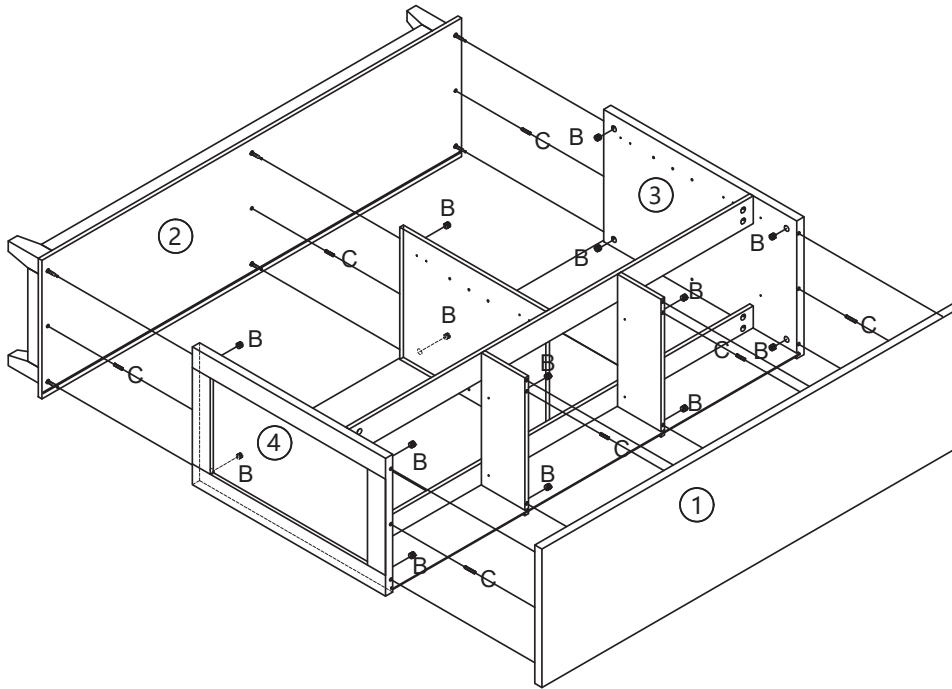
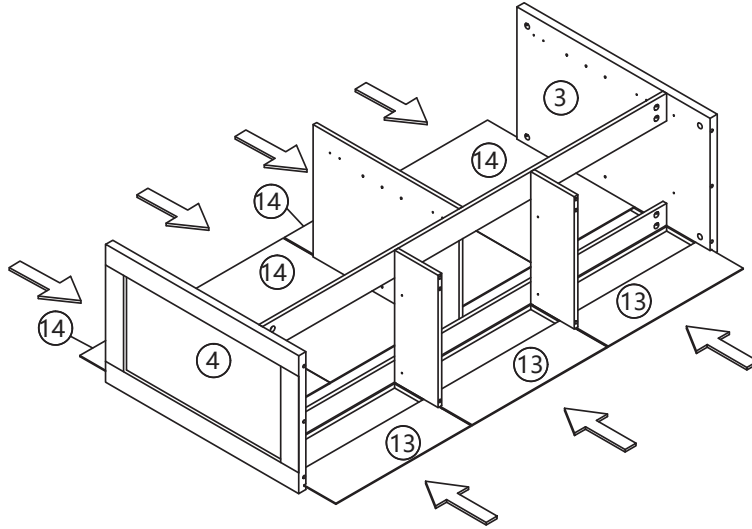
STEP:4

	
A	X 12
B	X 20







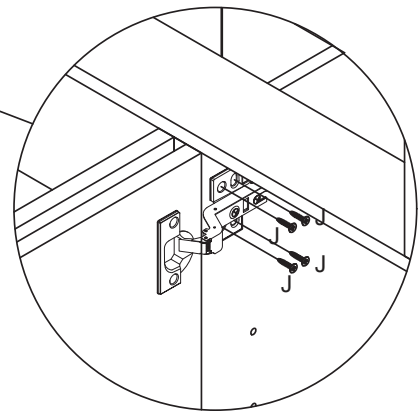
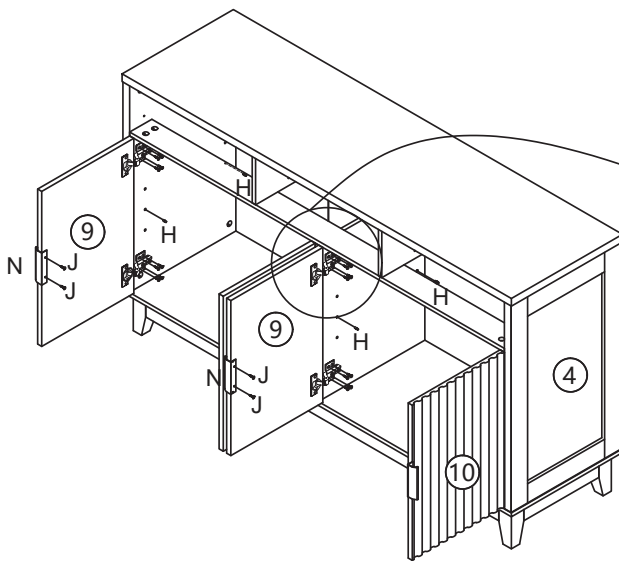
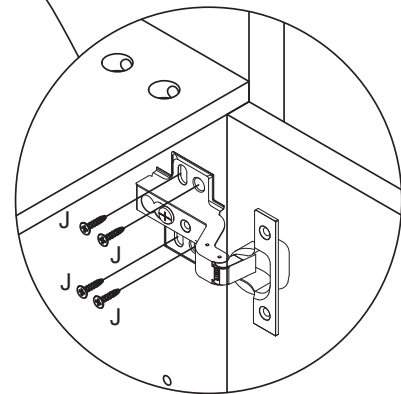
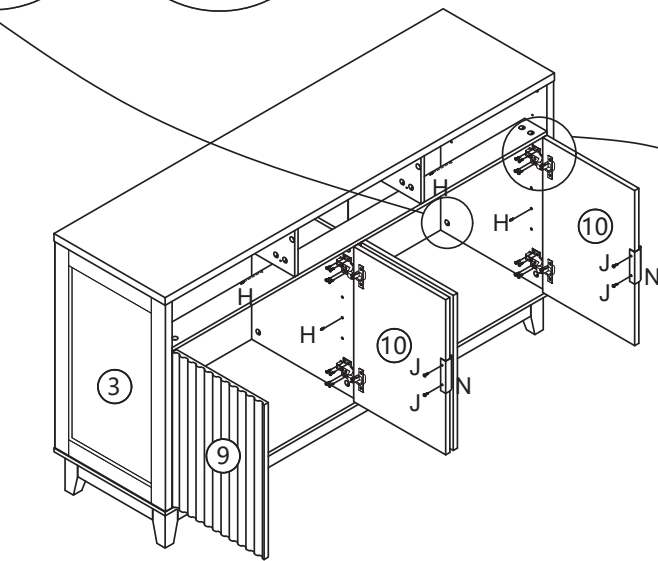
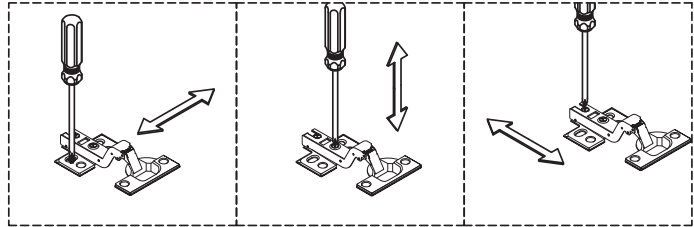
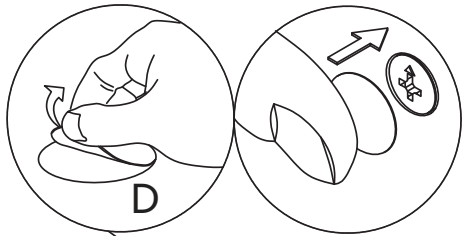
STEP:5

 Ø6x30mm	 B	 G	 Ø3.5x12mm
C X 7	X 14	X 8	J X 16

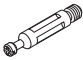








STEP:6

		 Ø3.5x12mm	
H	X 8	N	X 4
		J	X 40
		D	X 12

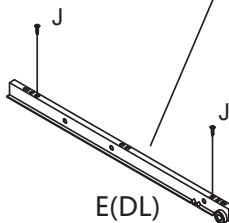
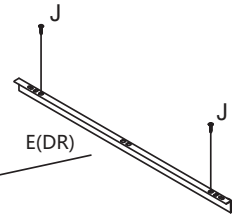
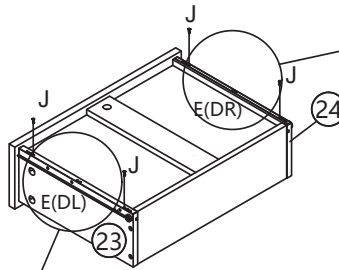
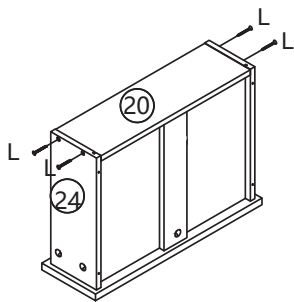
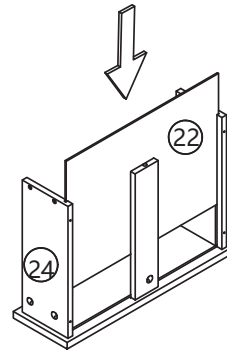
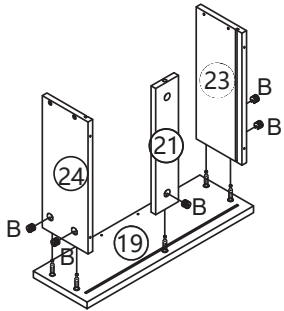
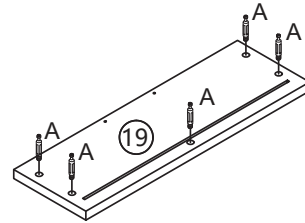
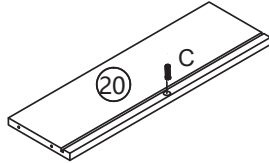


STEP:7

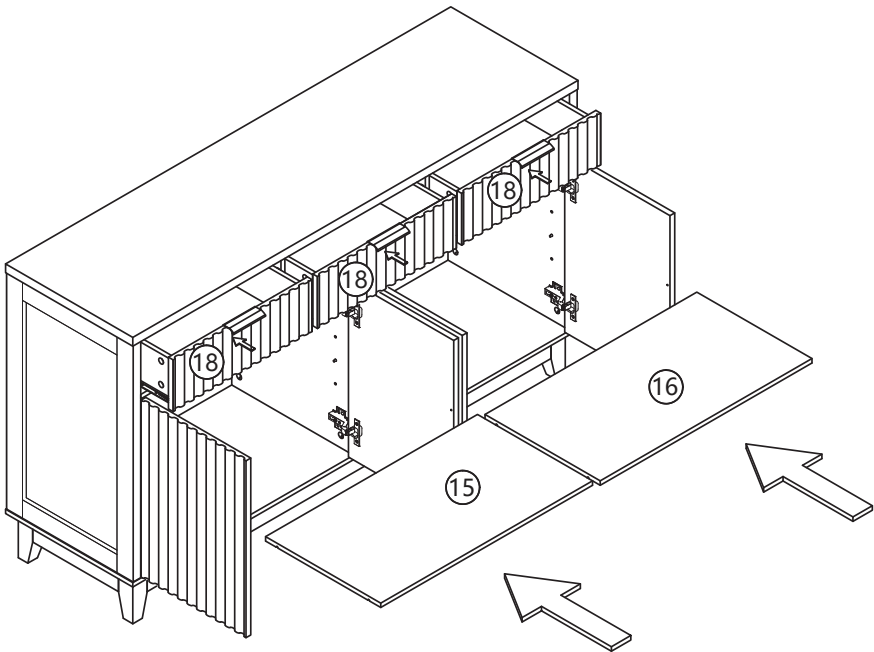
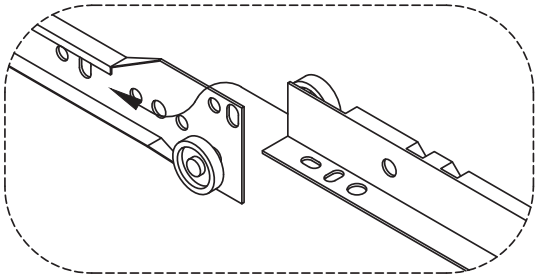
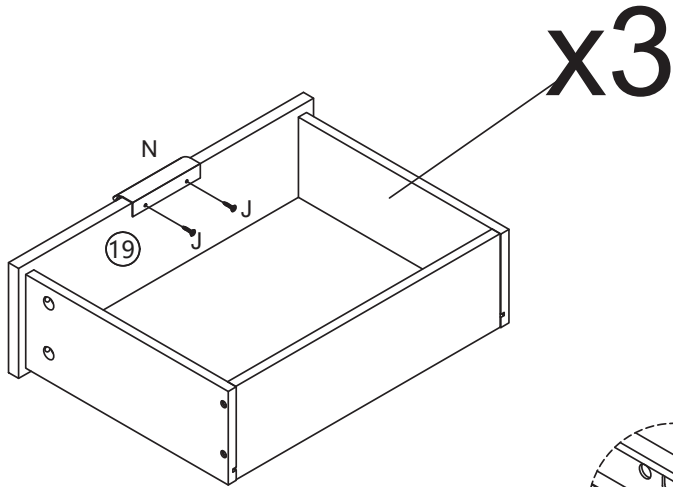
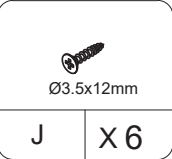
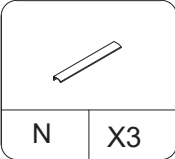
					
A	B	L	F (DR)	F (DL)	J
X 15	X 15	X 12	X 3	X 3	X 12


Ø6x30mm
C
X 3

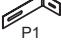



x3



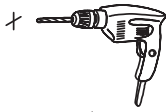
STEP:8



STEP:9

 P1	 P2
 P3	 P4
P	X2

1.



2.

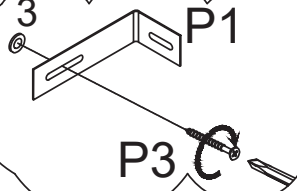
P2



3.

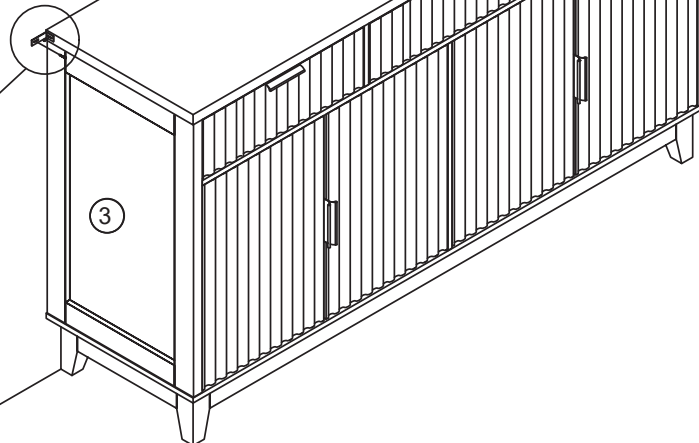
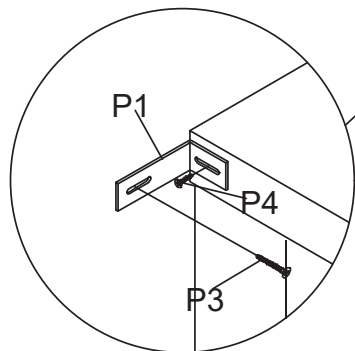
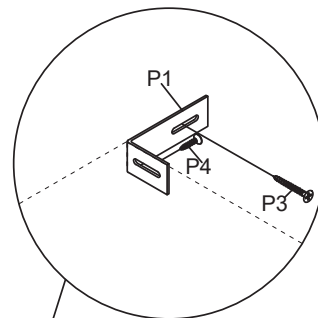
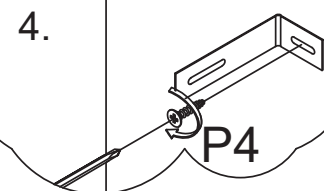
P1

P3



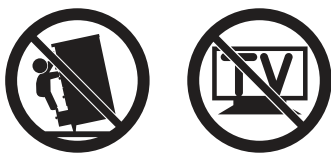
4.

P4



3

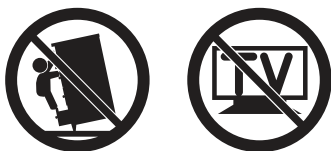
STEP10



WARNING!

Serious or fatal crushing injuries can occur from furniture tip over. To prevent tip over this furniture must be used with the wall attachment device(s) provided.

The screw(s) and plug(s) supplied can be used with most solid and hollow walls. For solid wood use the screw(s) without plug(s). Use screw(s) and plug(s) suitable for your walls. If you are uncertain, seek professional advice. Read and follow each step of the instruction carefully.



ATTENTION !

Risque de blessure grave ou mortelle par écrasement en cas de chute du meuble. Pour éviter tout risque de basculement, ce meuble doit être fixé au mur à l' aide des fixations incluses.

Les vis et chevilles incluses sont adaptées à la plupart des murs solides et creux. Pour du bois massif, utiliser les vis sans les chevilles. Utiliser des vis et des chevilles adaptées à votre type de mur. En cas de doute, demandez conseil à un vendeur spécialisé. Lire et suivre attentivement toutes les étapes de la notice de montage.



ADVERTENCIA

Si un mueble vuelca, puede provocar daños de aplastamiento graves o fatales. Para evitar que vuelque, este mueble debe usarse con el dispositivo/s de fijación a la pared suministrado.

Los tornillos y tacos que se suministran se pueden utilizar en la mayoría de las paredes y tabiques. En madera maciza usa los tornillos sin taco. Utiliza tornillos y tacos adecuados para tus paredes. En caso de duda, consulta a un profesional. Lee y sigue cada paso de las instrucciones cuidadosamente.