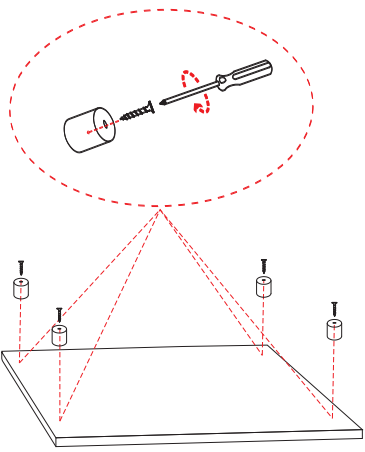


# SOFA

## ASSEMBLY & INSTRUCTION MANUAL

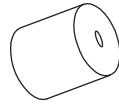
READ AND SAVE THIS INSTRUCTIONS FOR FUTURE USE

MADE IN P.R.C.



Installation steps for serial numbers ①

A \*8

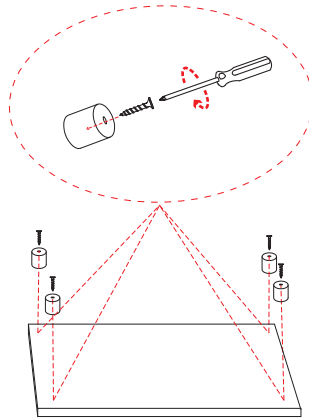


Sofa legs

B \*8

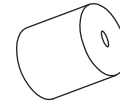


M5\*45mm



Installation steps for serial numbers ② and ③

A \*16

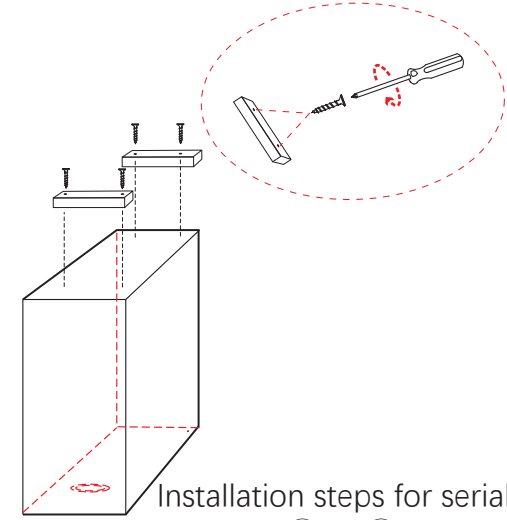


Sofa legs

B \*16

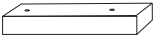


M5\*45mm



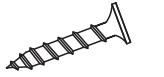
Installation steps for serial numbers ④ or ⑤

G \*4

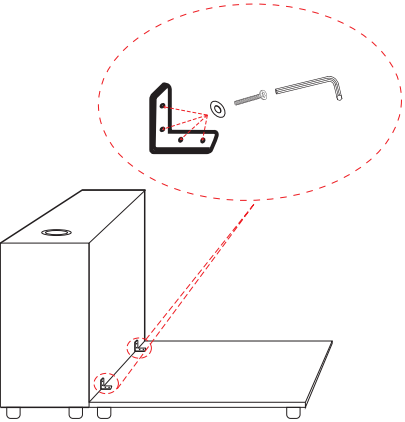


Sofa legs

B \*8



M5\*45mm



The method of combining ② and ④/⑤

C \*4



Corner iron sheet

D \*16



1/4\*20mm

E \*16

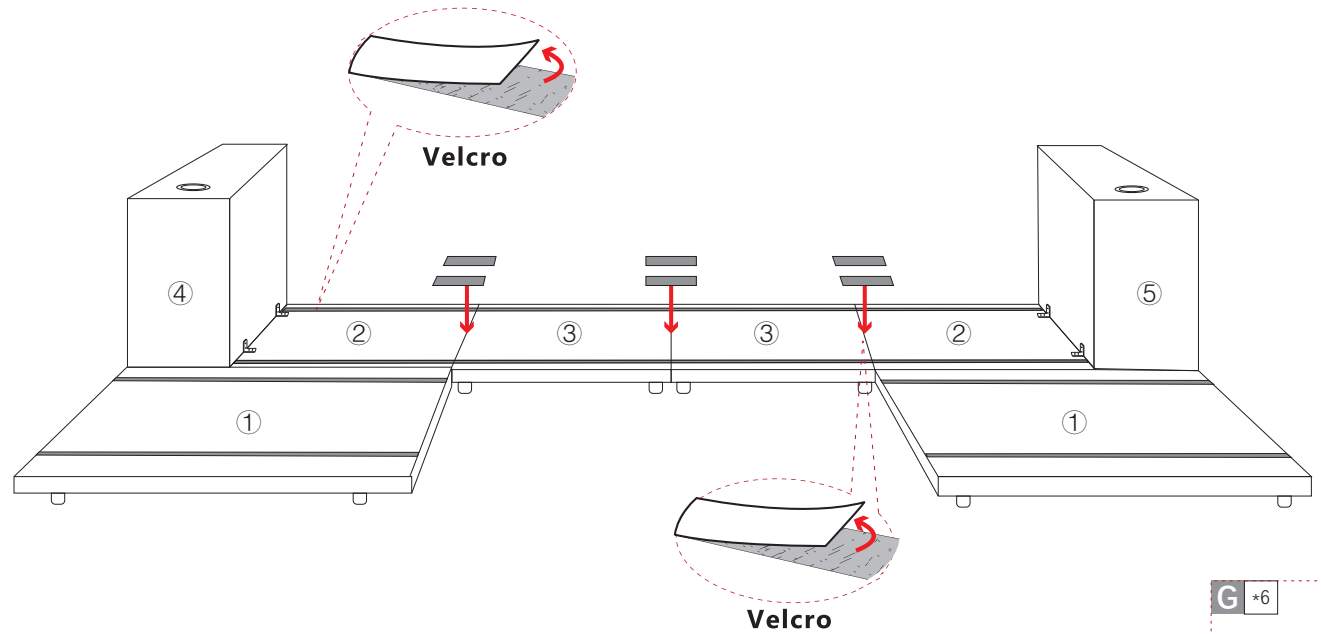


M6

F \*1



M4

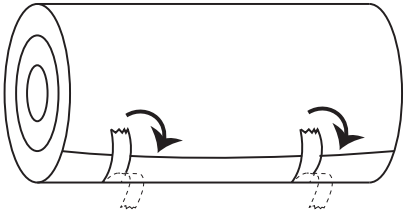


G \*6

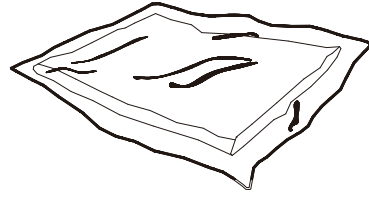


魔术贴

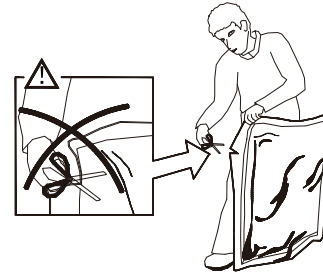
1-remove tapes



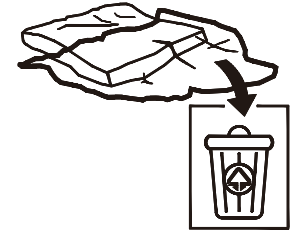
2-unfold it



3- carefully cut open the bagging



4-after unwrapping let it decompress itself naturally over time.



5--after unwrapping let it decompress itself naturally over time

