

# ASSEMBLY INSTRUCTION

MODEL NUMBER:6-704F

## NOTES:

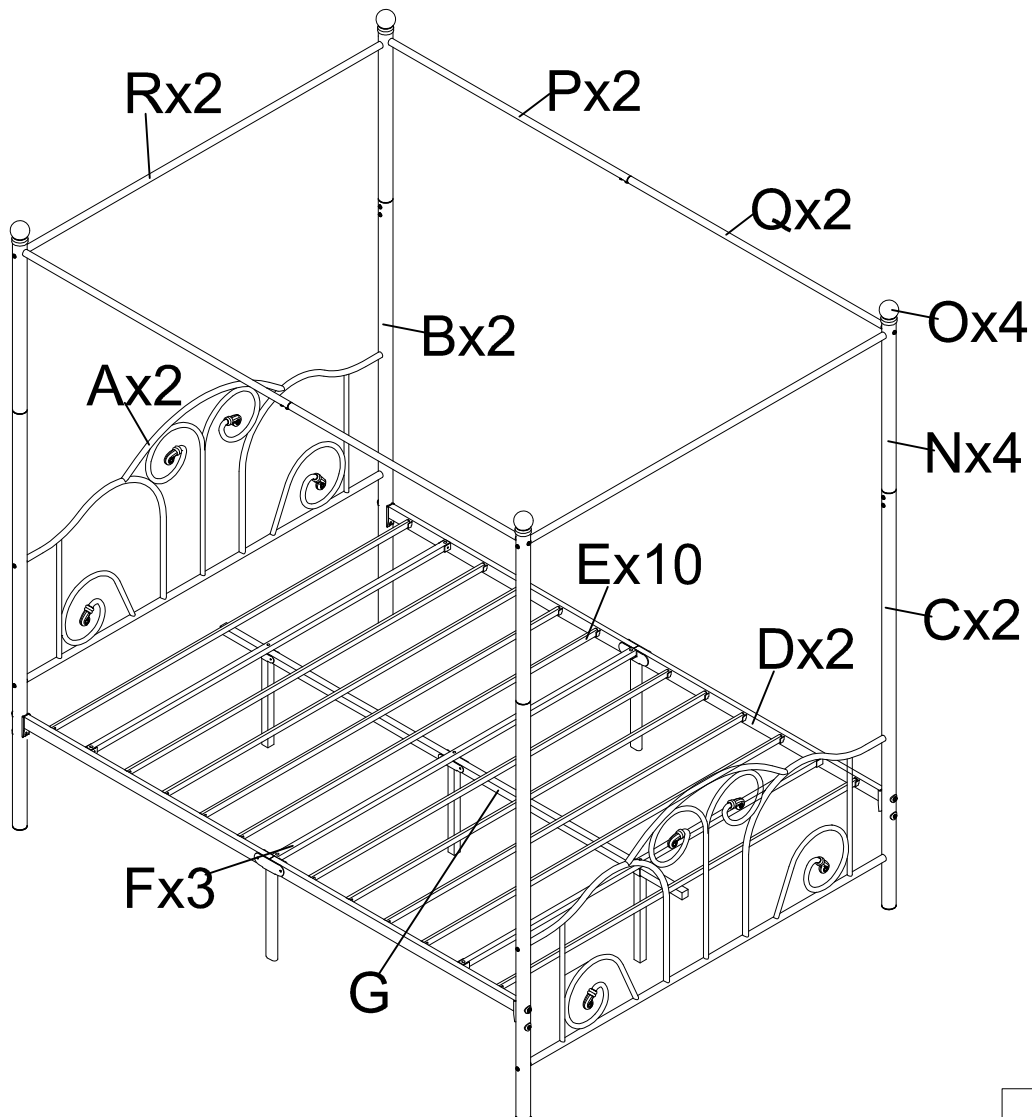
- Do not skip any step.
- Do not fully tight screws until all the bed parts are assembled.

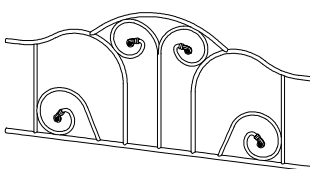

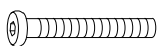
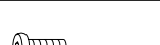




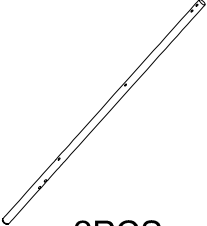
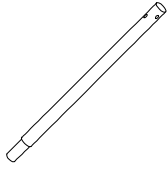
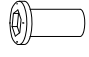

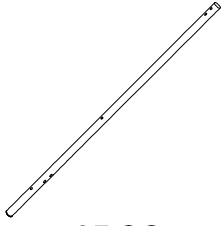
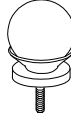
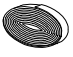
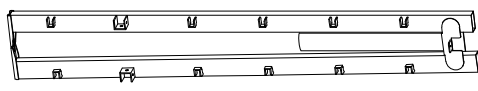
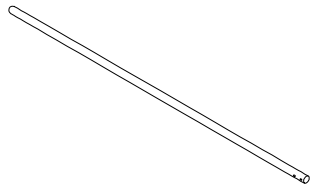

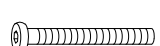
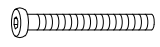

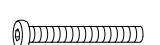

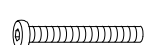


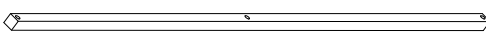
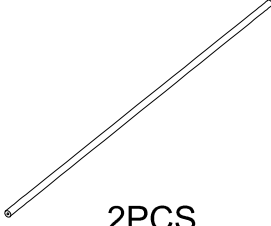
## WARNING:

- WARNIND FOR YOUNG CHILDREN-This product contains small components,please ensure that they are kept away from small children while assembling.

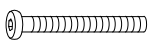


## Warranty Information:

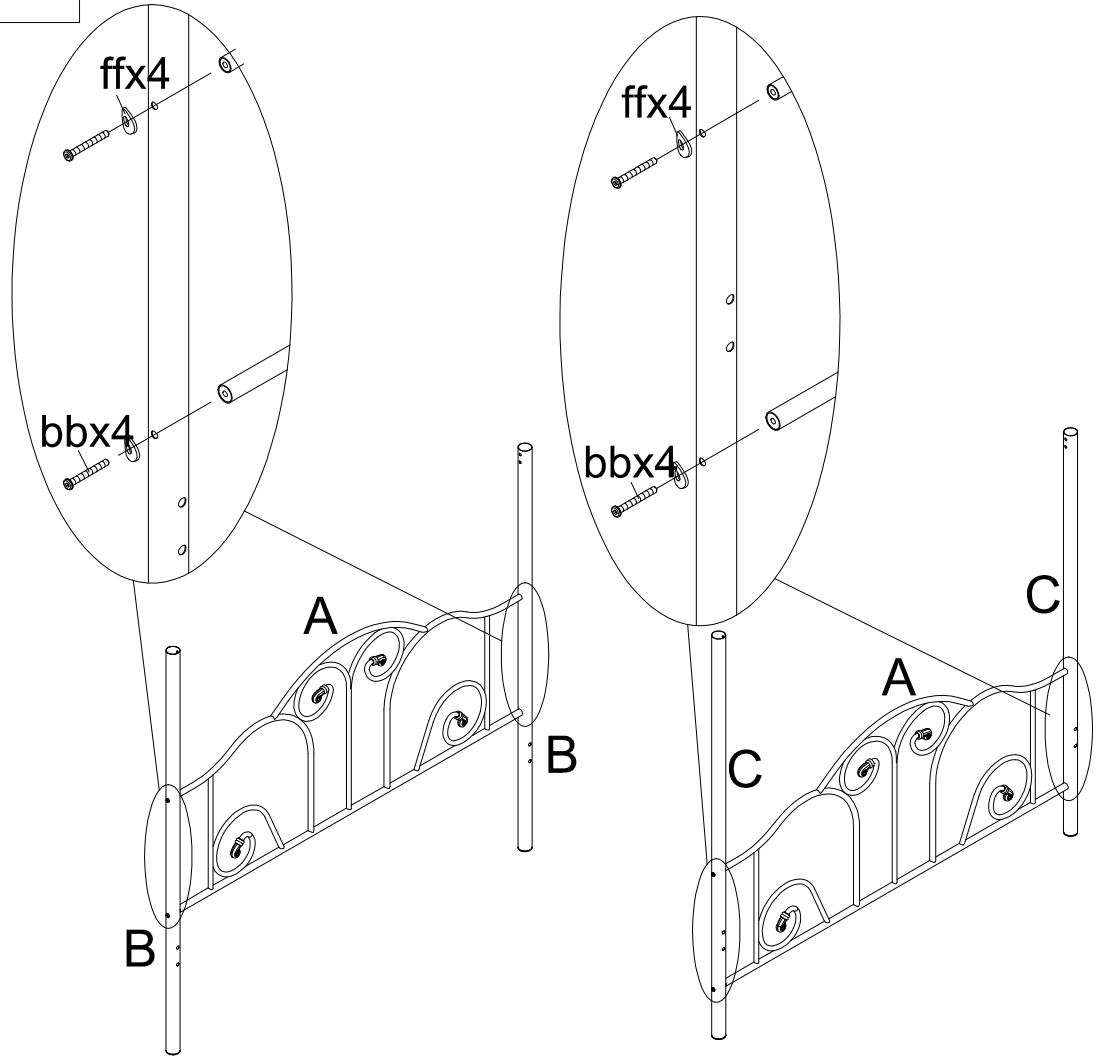
- We warranty this product to be free from defects in materials.This warranty covers one year from the date of original purchase.If u have any query about bed,pls contact our after -sale support email: [pakkahome@outlook.com](mailto:pakkahome@outlook.com)



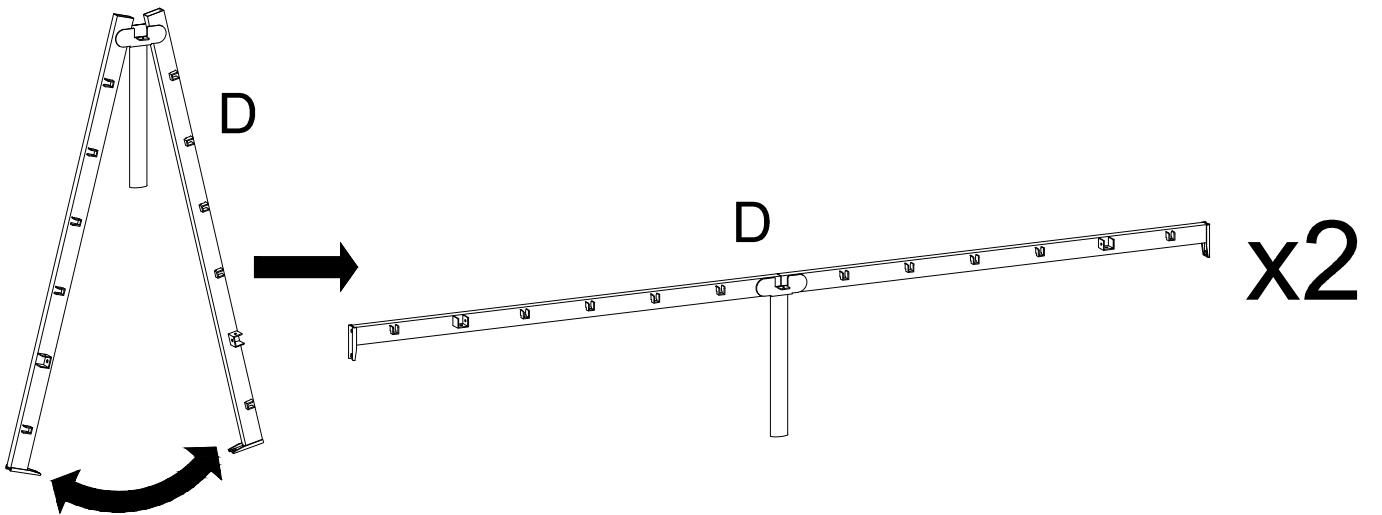
<p><b>A</b></p>  <p>2PCS</p>	<p><b>G</b></p>  <p>1PC</p>	aa	 M8x55	4			
		bb	 M6x55	19			
		cc	 M6x35	4			
		dd	 M6x30	6			
		ee	 M6x12	12			
<p><b>B</b></p>	<p><b>N</b></p>	ff		24			
 <p>2PCS</p>	 <p>4PCS</p>	gg		4			
<p><b>C</b></p>	<p><b>O</b></p>	hh		2			
 <p>2PCS</p>	 <p>4PCS</p>						
<p><b>D</b></p>	<p><b>P</b></p>	ii		1			
 <p>2PCS</p>	 <p>2PCS</p>						
<p><b>E</b></p>	<p><b>Q</b></p>	<p>SPARE</p>					
 <p>10PCS</p>	 <p>2PCS</p>				aa		1
					bb		1
					cc		1
					dd		1
					ee		1
					ff		1
<p><b>F</b></p>	<p><b>R</b></p>	gg		1			
 <p>3PCS</p>	 <p>2PCS</p>						
<div style="text-align: right; border: 1px solid black; padding: 5px; display: inline-block;">2/7</div>							

Step 1

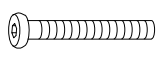
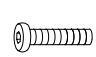

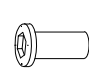
bb		M6x55	8
ff			8
hh			1

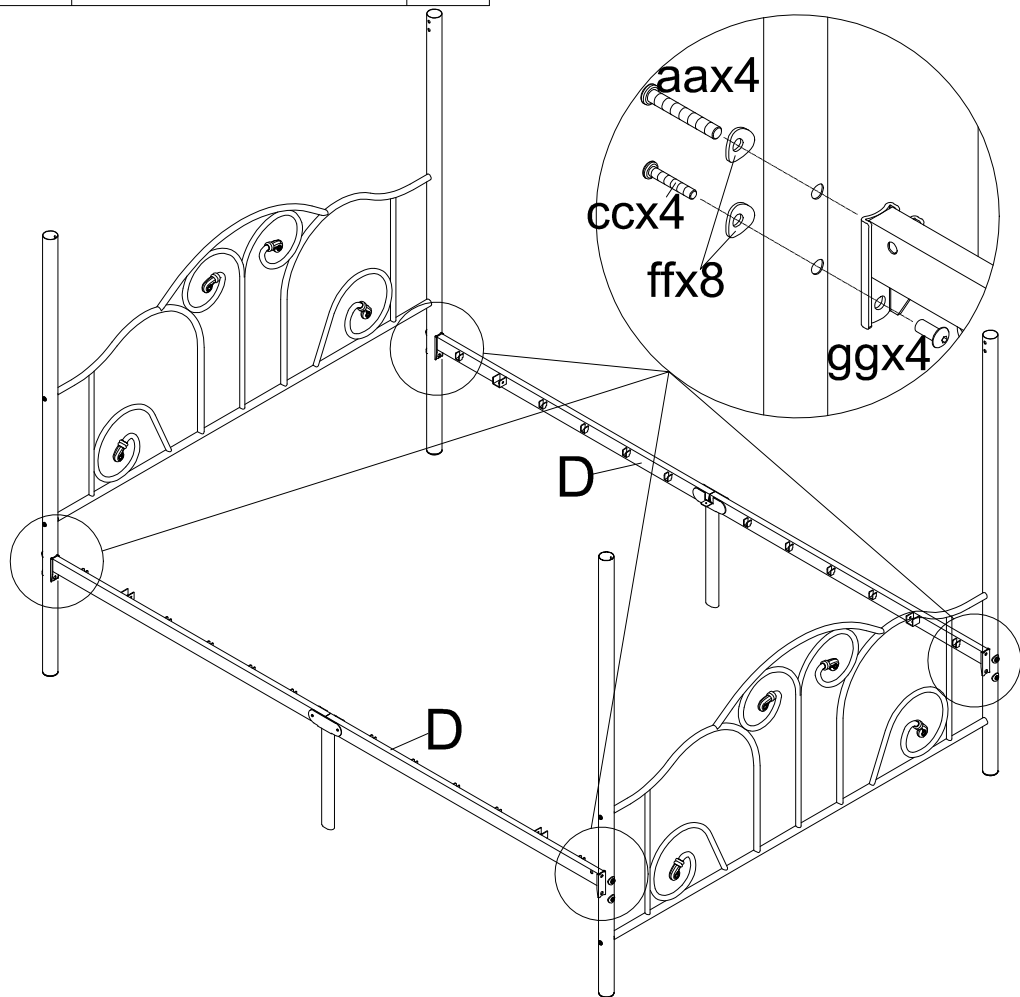


Step 2

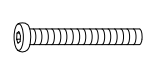



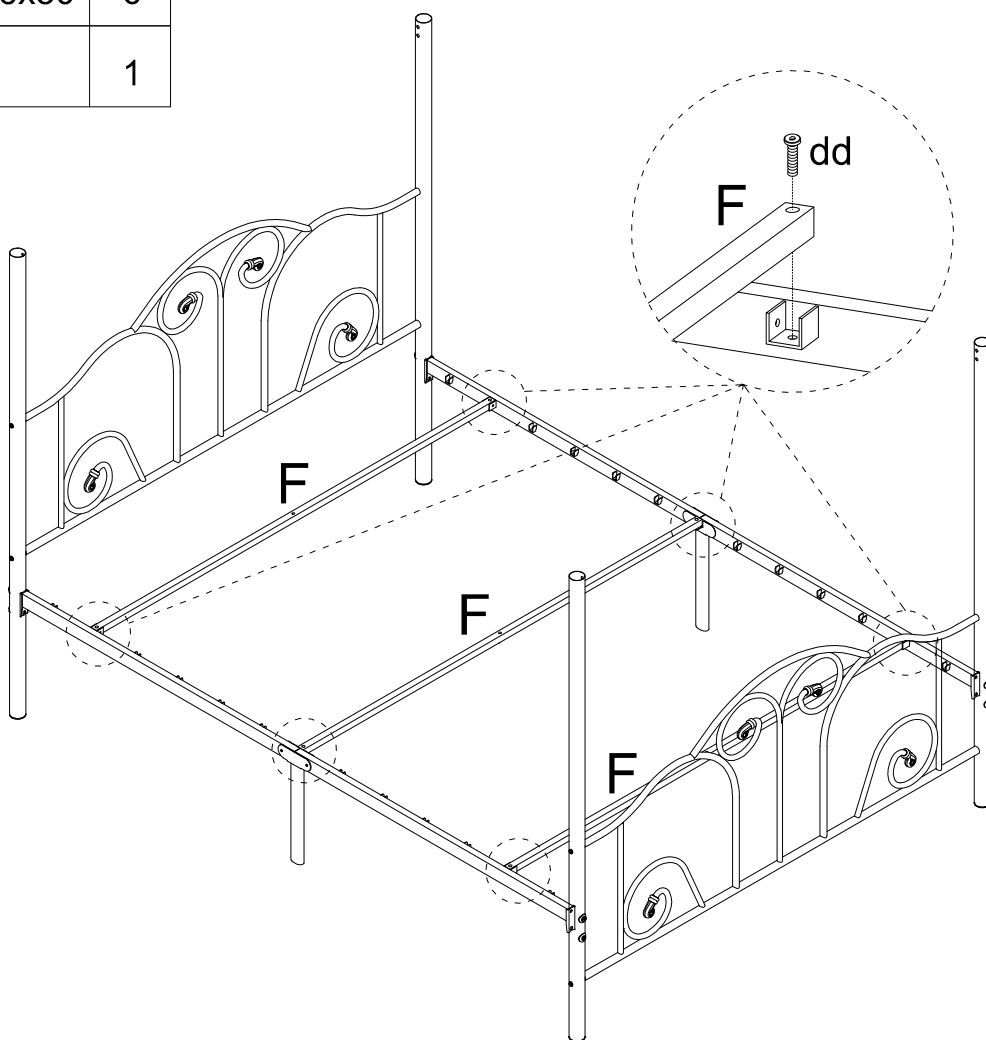
Step 3

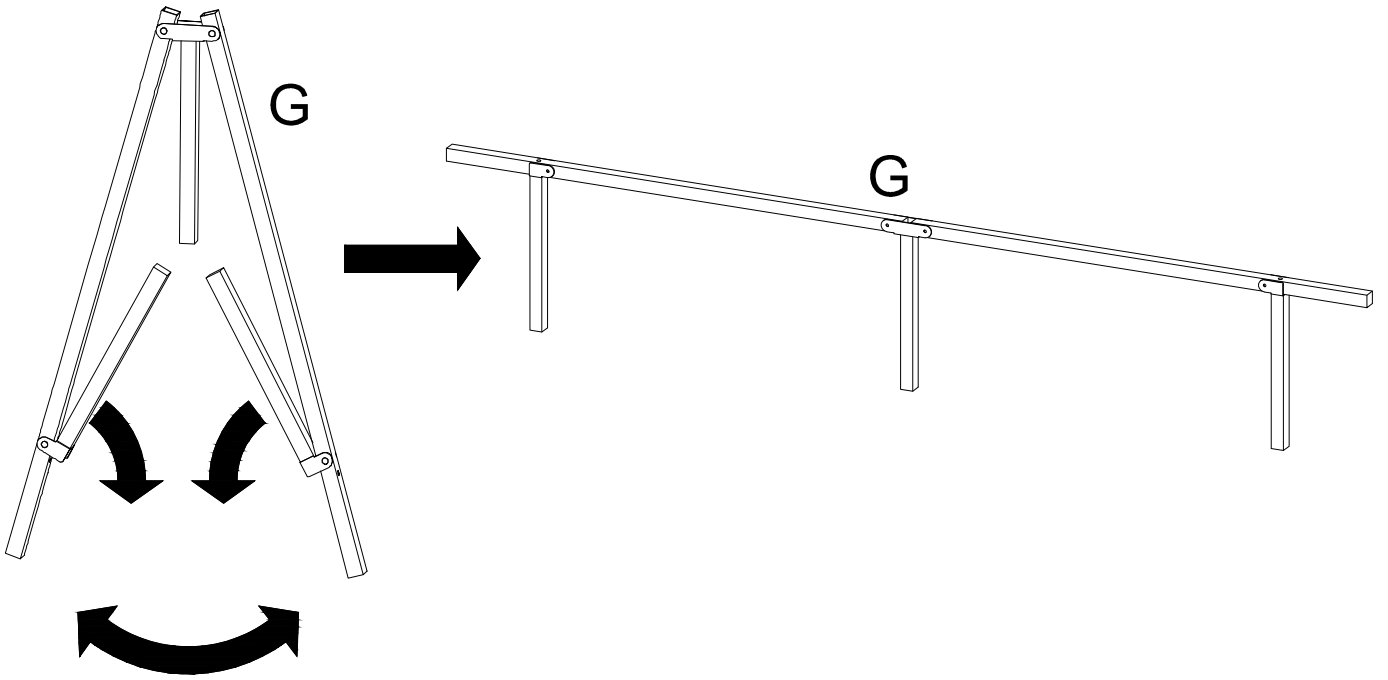
aa		M8x55	4
cc		M6x35	4
ff			8
gg			4

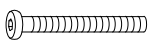

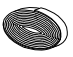


Step 4

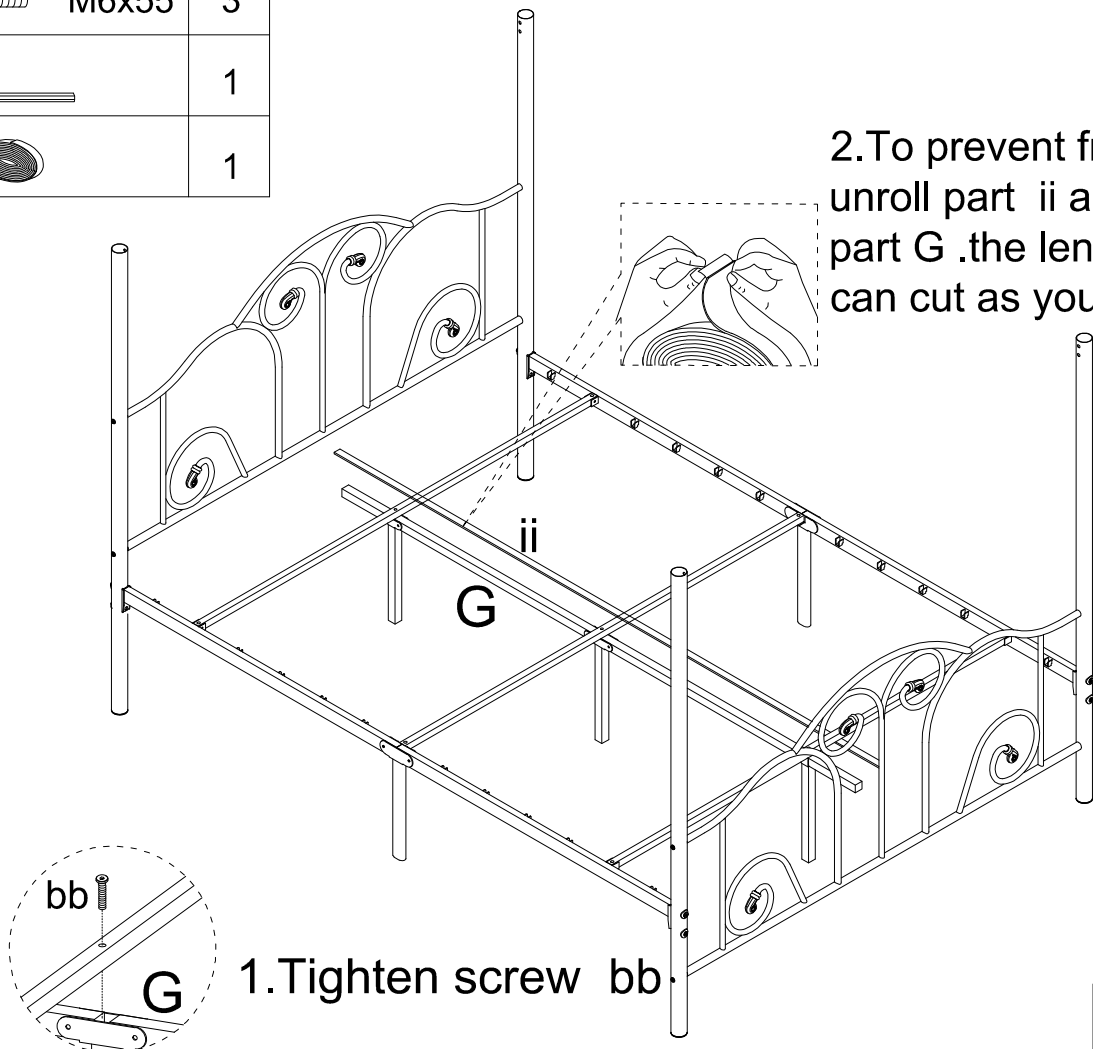
dd		M6x30	6
hh			1



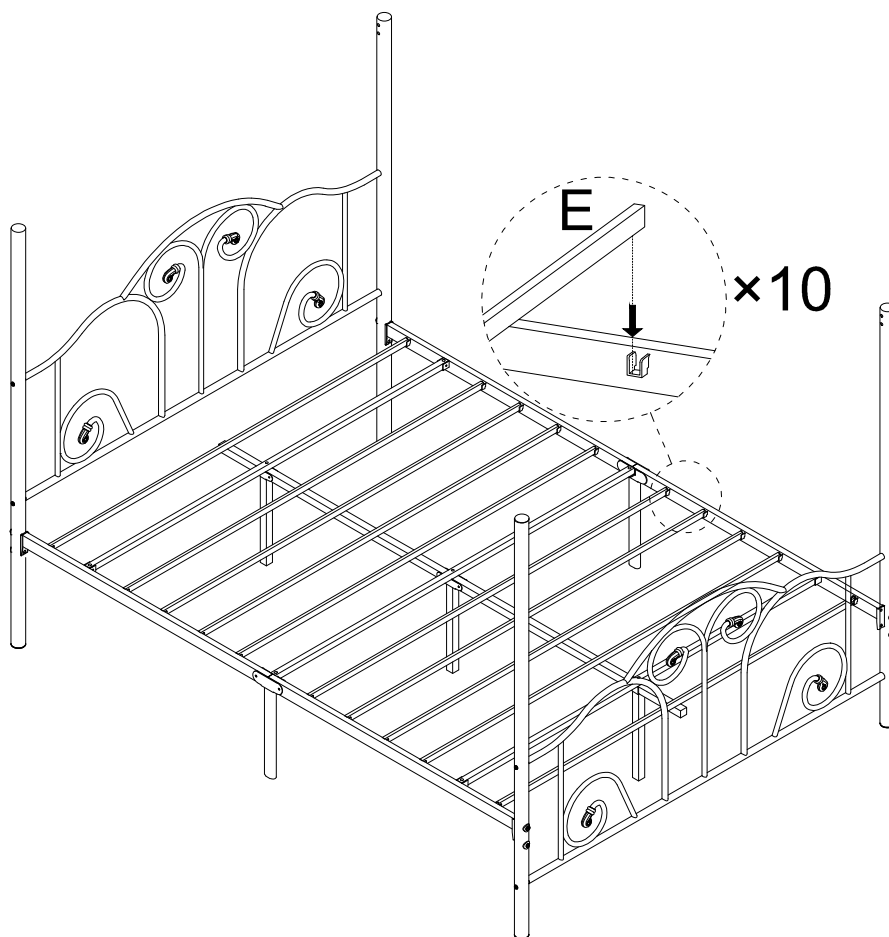


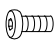

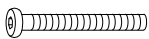

bb		M6x55	3
hh			1
ii			1

2.To prevent friction noise, unroll part ii and fit it on part G .the lenght of part ii can cut as you will.



1.Tighten screw bb.



ee		M6x12	12	ff		8
bb		M6x55	8			
hh			1			

