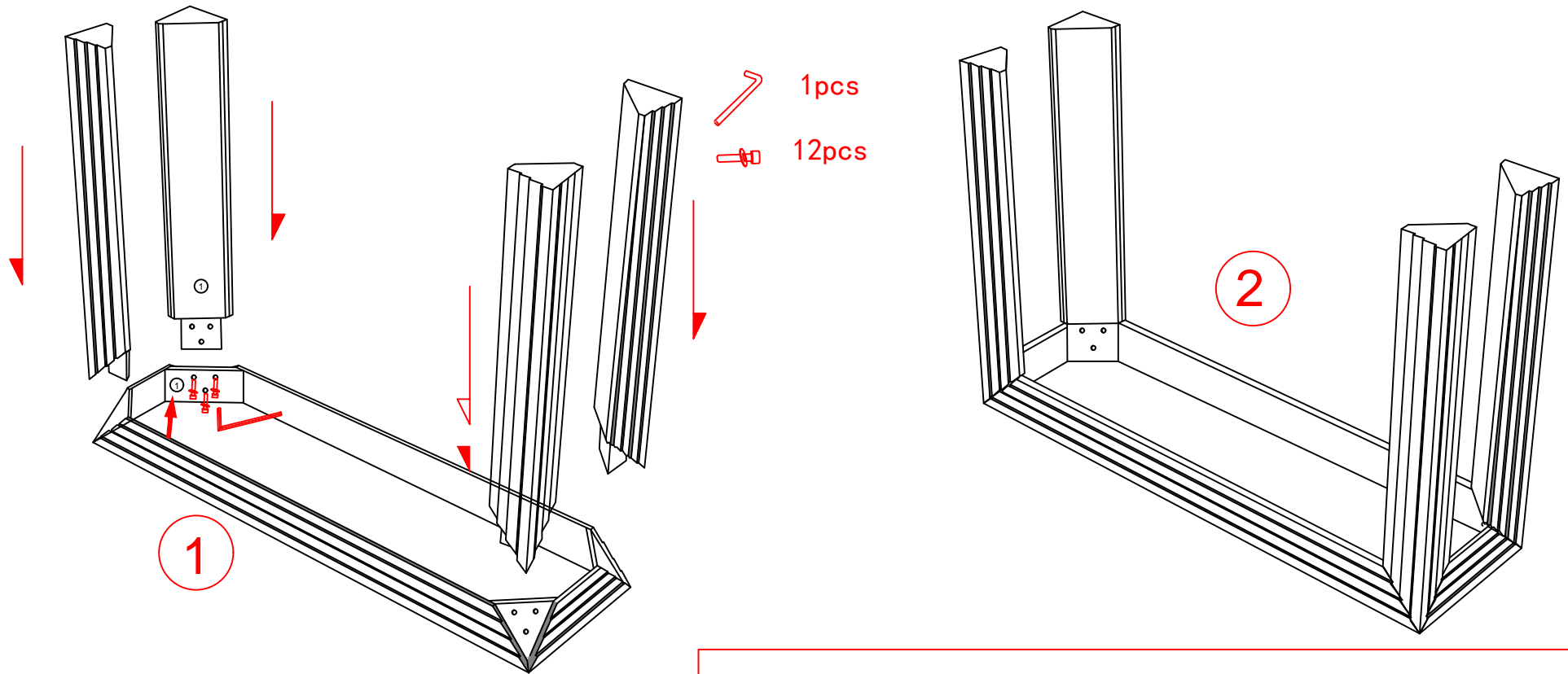


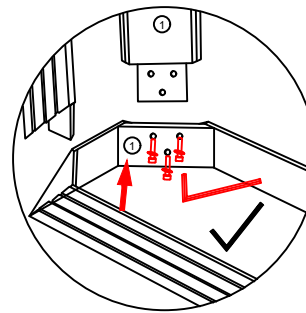
# Installation Instructions



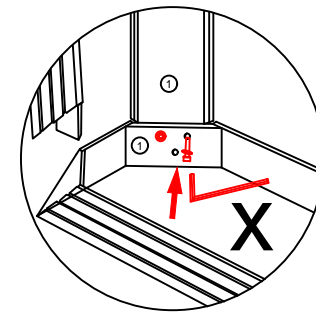
Step 1: According to the code, find the corresponding leg slot.

Step 2: Attach the leg to the table top, put the 3 screws into the holes together, and tighten the 3 screws with a Allen key.

**\*Note:** When installing a leg, do not install another screw after tightening one screw, otherwise the other screw may not be screwed in.



Right Method:  
Put 3 screws into the holes at the same time, and tighten them.



Wrong Method:  
After tightening one, place the other screw in the hole.