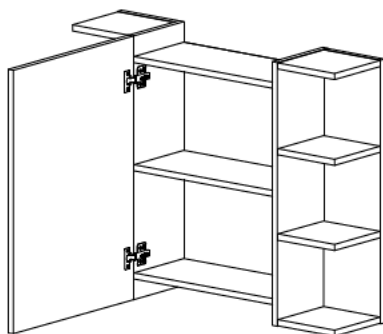
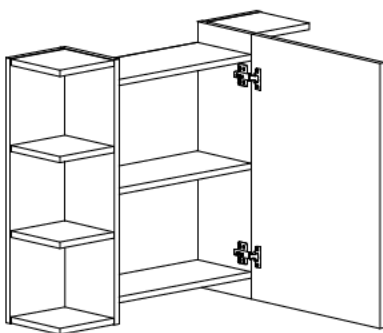
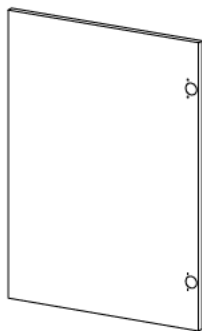


I

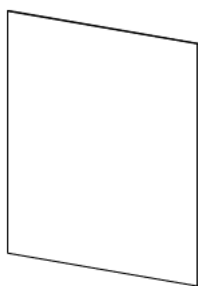


II

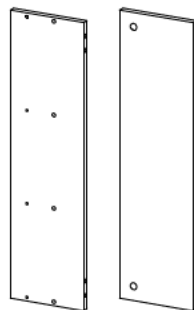




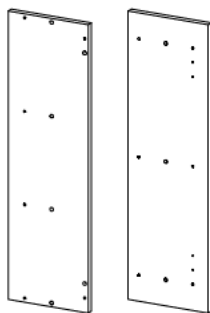
Ax1



Bx1



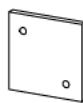
Cx2



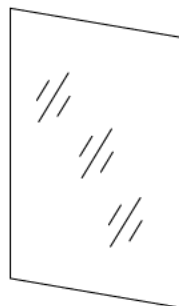
Dx2



Ex3



Fx8



Gx1



Hx2



Ix26



Jx32



Kx32



Lx26

Mx3.5 $\frac{15}{0.6}$ Mx3.5 $\frac{30}{1.2}$



Mx12



Nx4



Ox2



Px2



Qx4



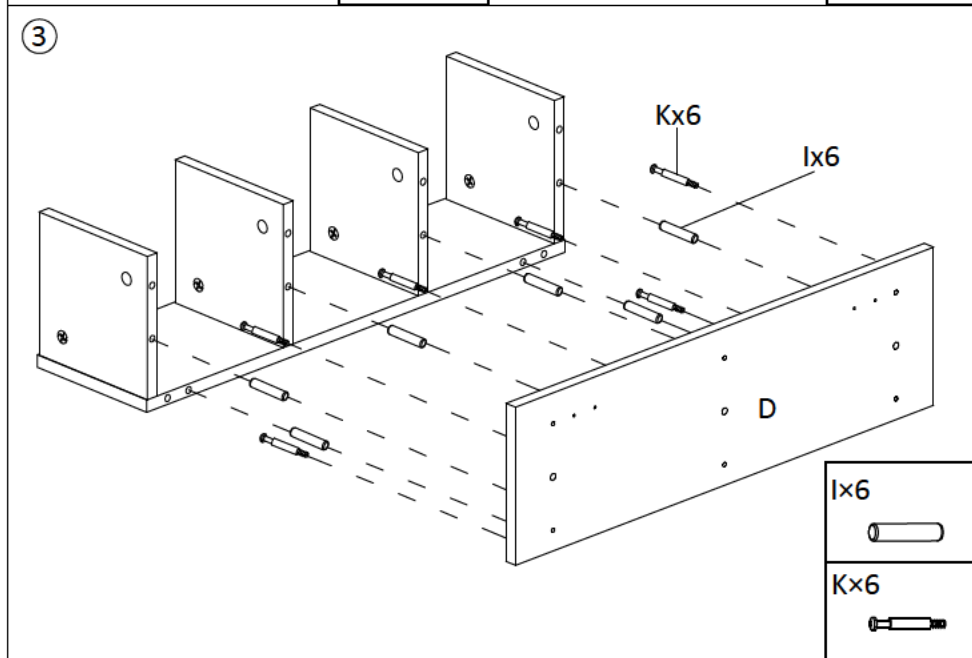
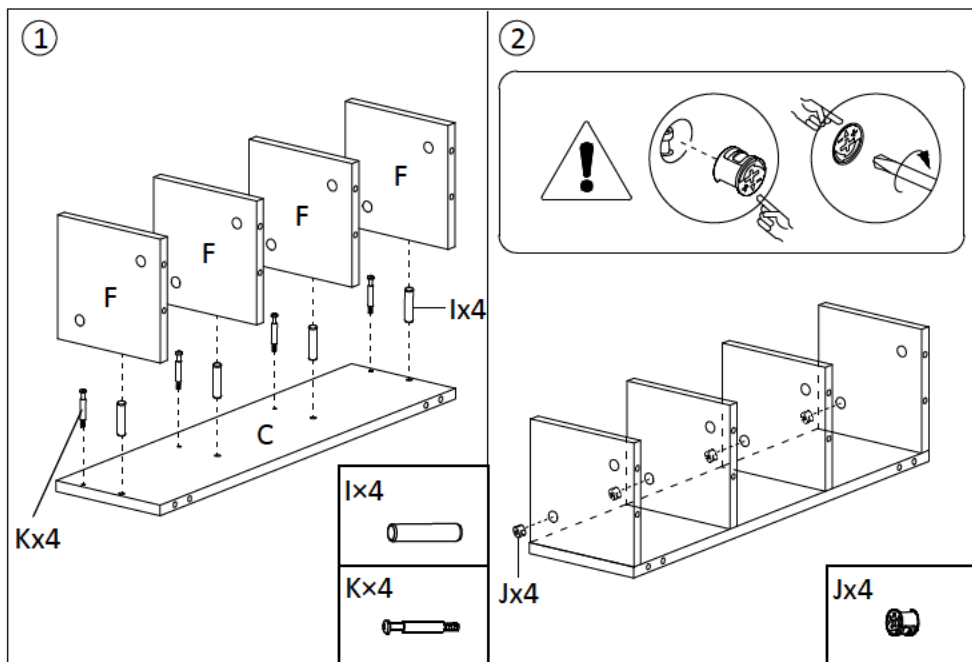
Rx4



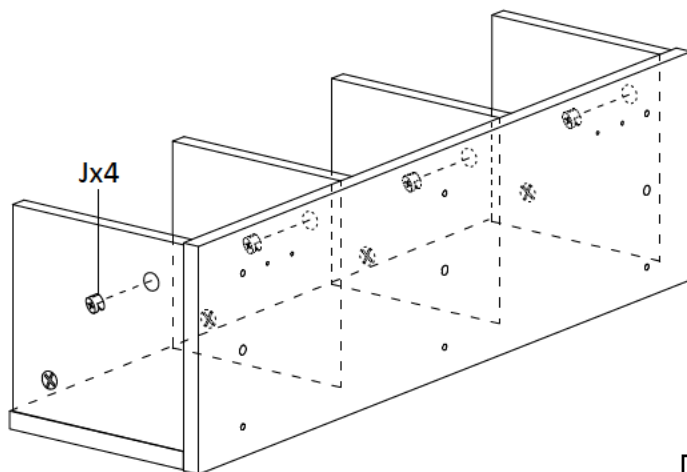
mm
inch

x2





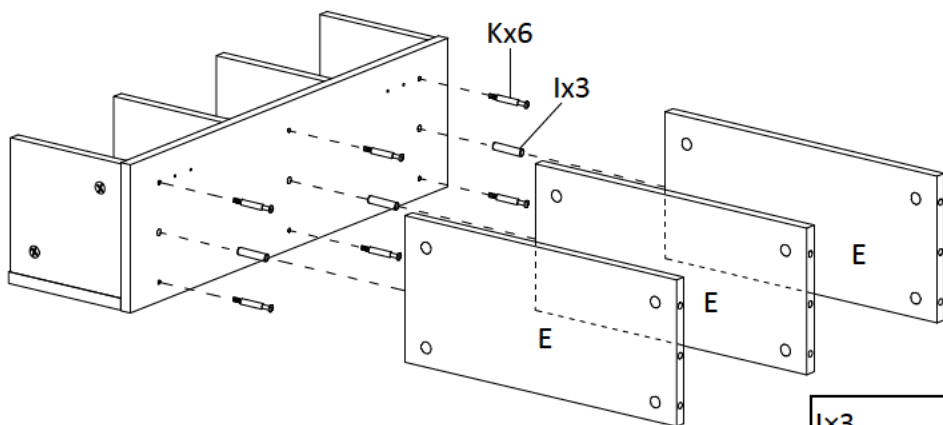
4



Jx4



5



Ix3

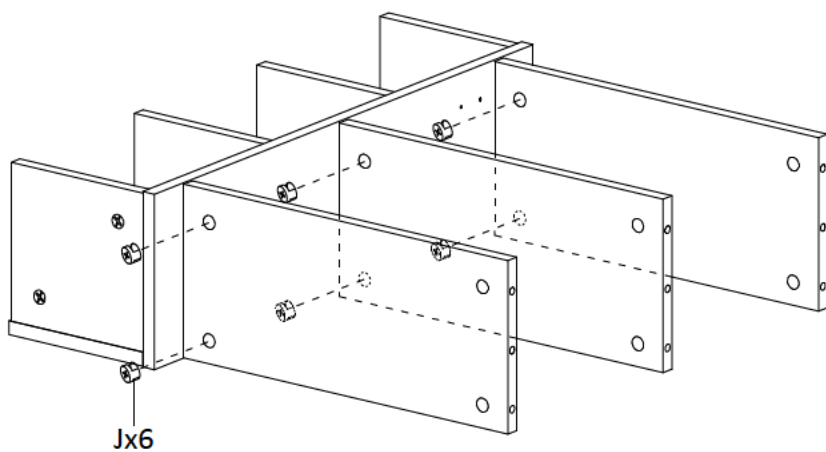


Kx6



6

Jx6



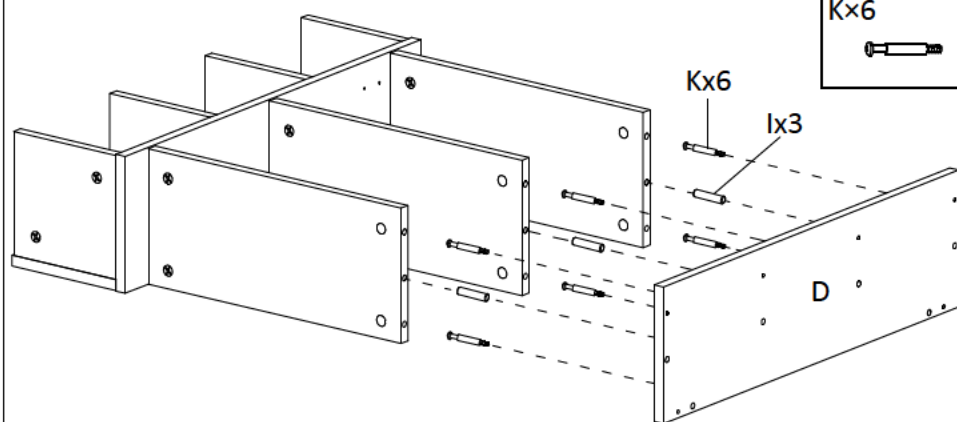
Jx6

7

Ix3



Kx6

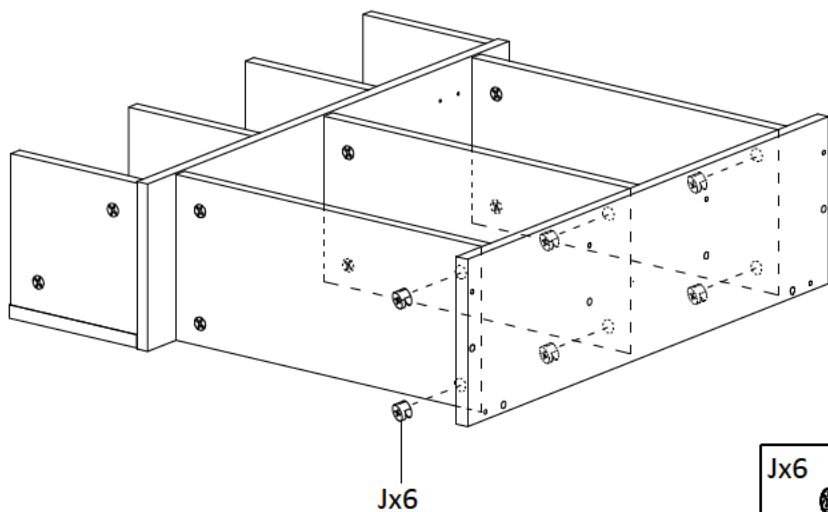


Kx6

Ix3

D

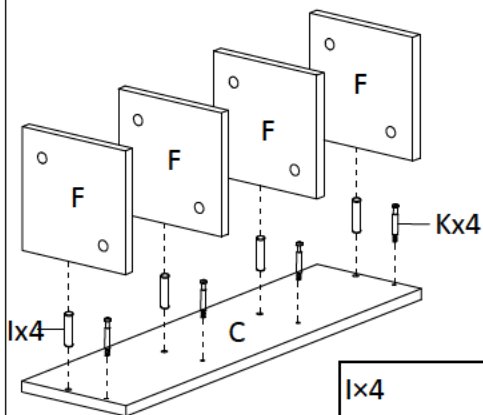
8



Jx6



9



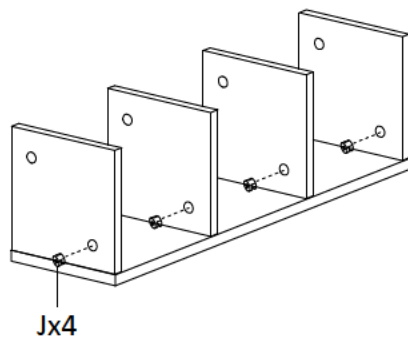
Ix4



Kx4



10



Jx4

Jx4

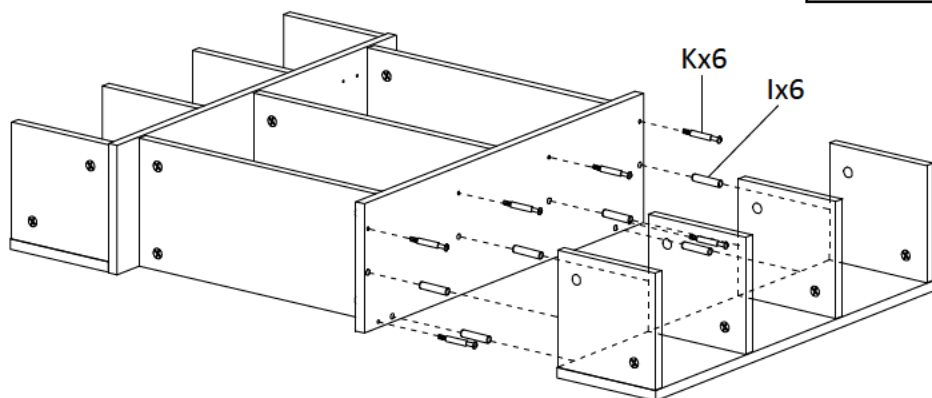


11

Ix6

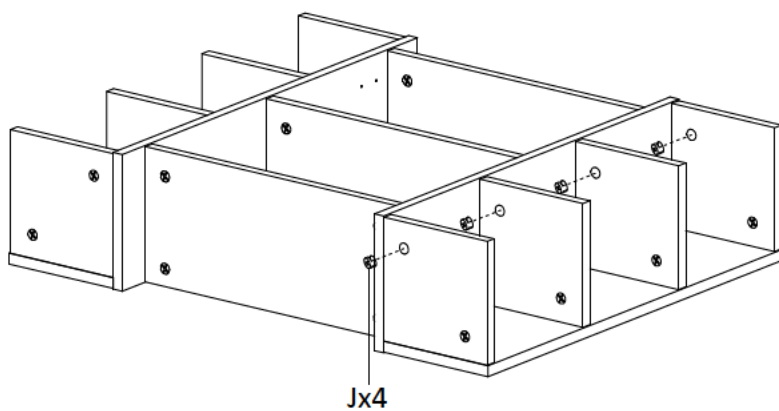


Kx6



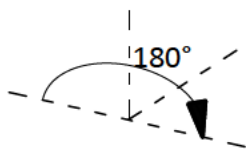
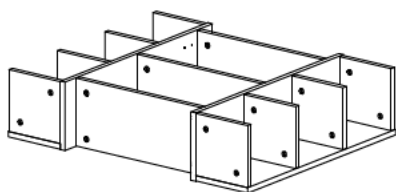
12

Jx4

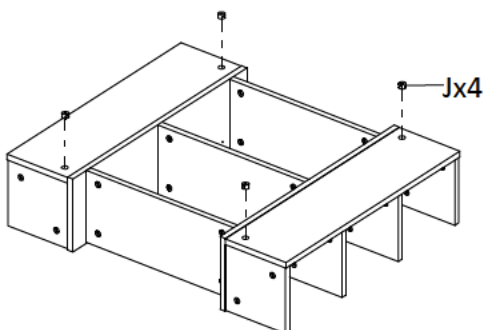


13

Jx4



x2



14

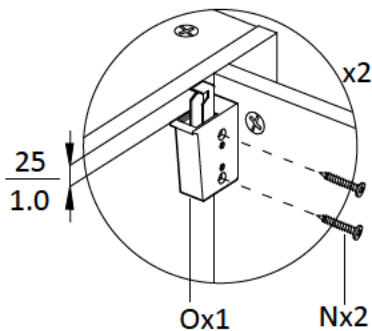
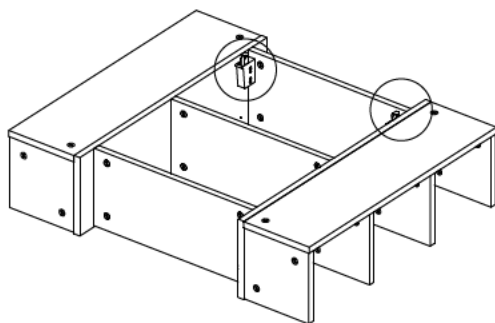
Ox2



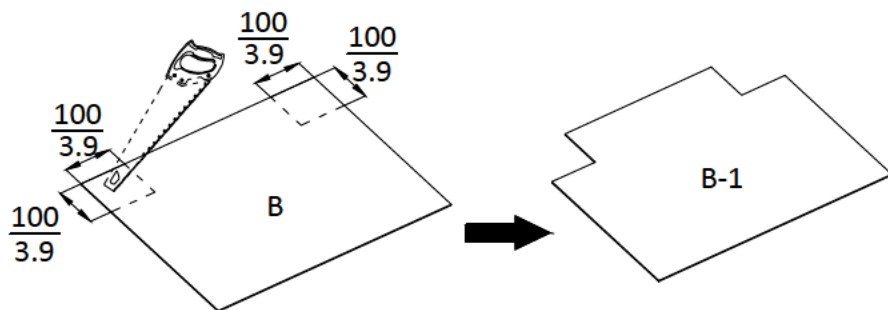
Nx4



M3.5x 30
1.2

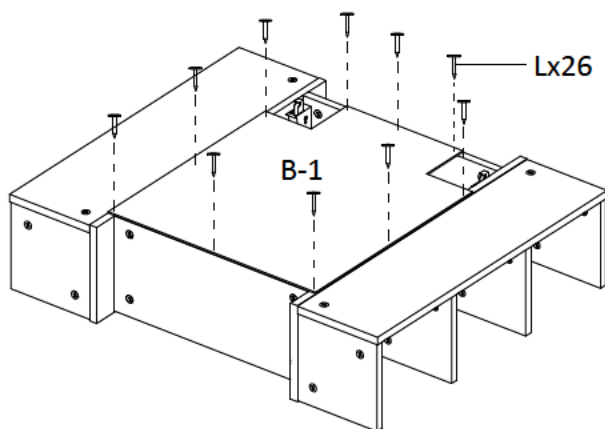


15

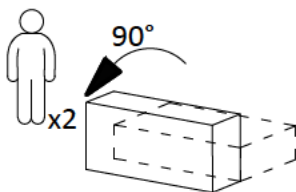
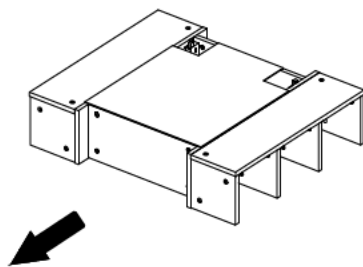
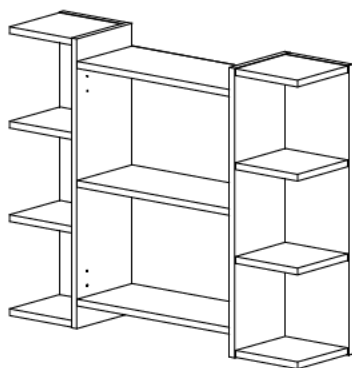


16

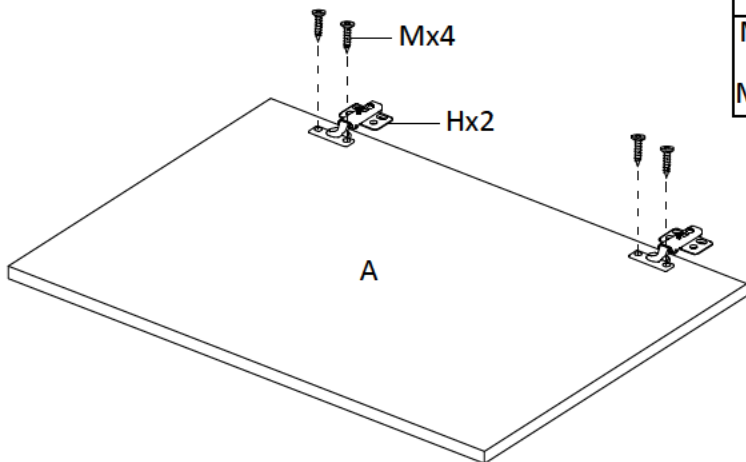
Lx26





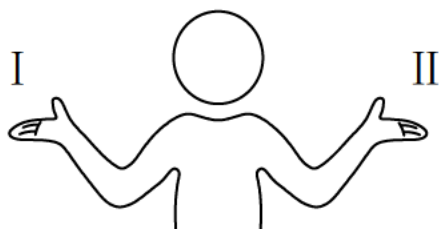
17



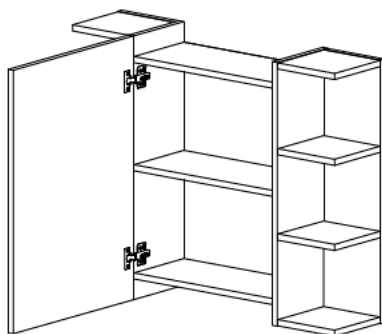
18



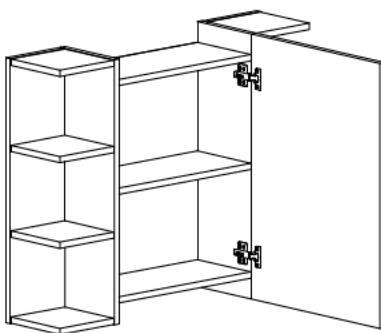
Hx2	
Mx4	
M3.5x	15
	0.6



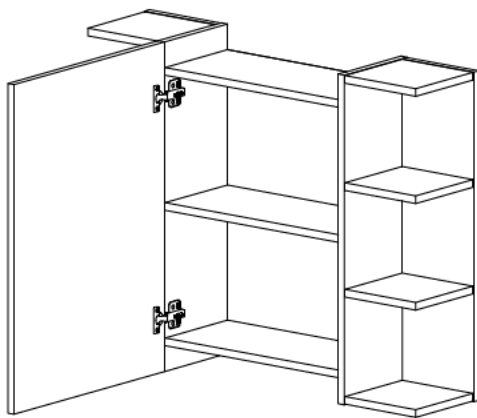
I



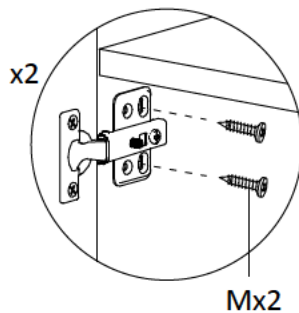
II



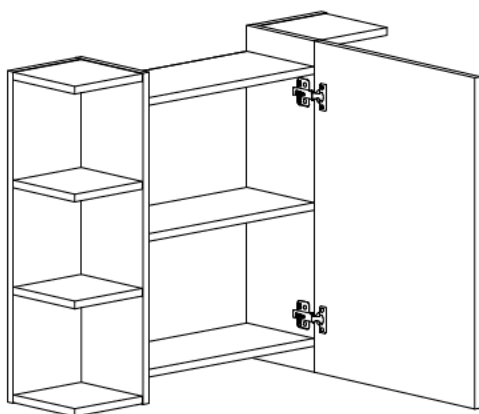
19 - I



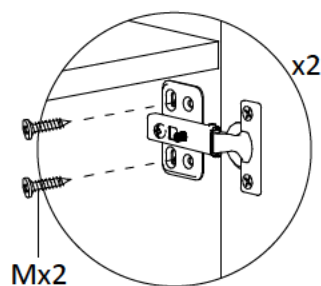
Mx4
M3.5x $\frac{15}{0.6}$



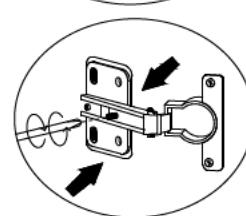
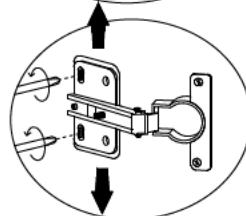
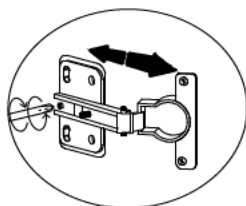
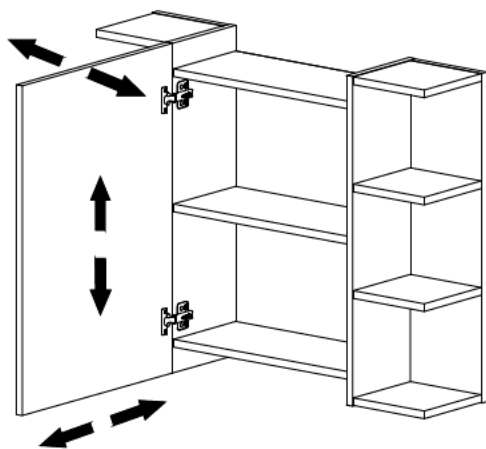
19 - II



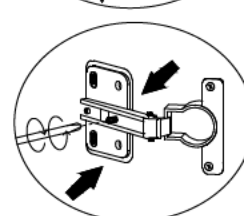
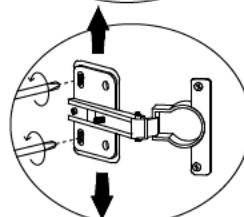
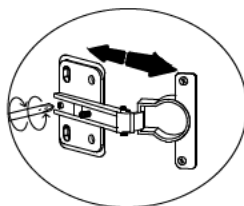
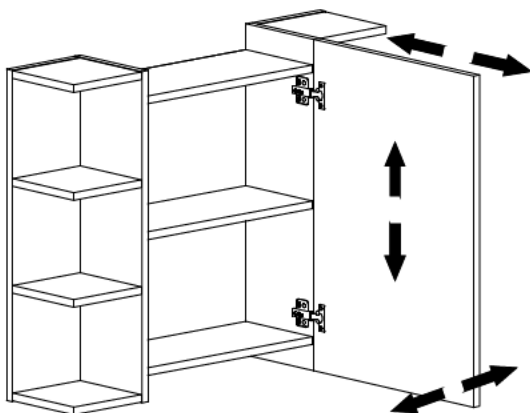
Mx4
M3.5x $\frac{15}{0.6}$



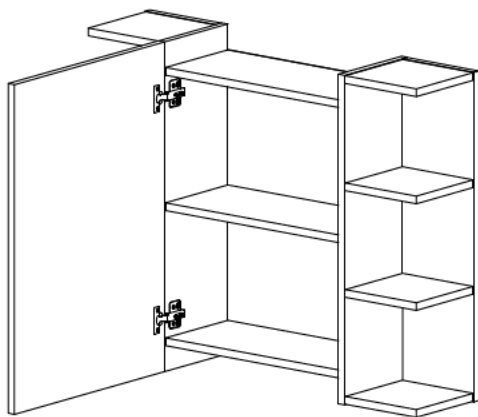
20 - I



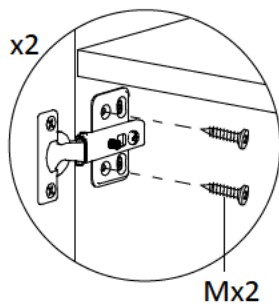
20 - II



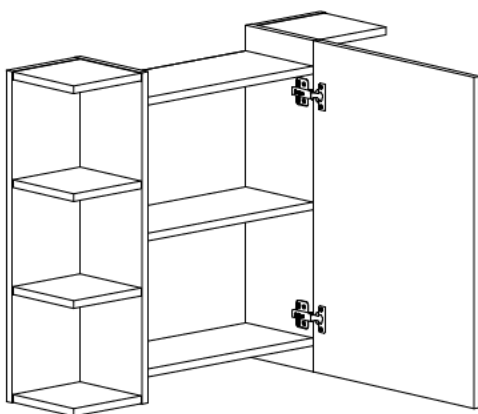
21 - I



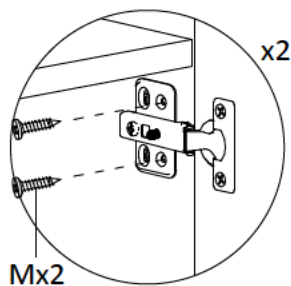
Mx4
M3.5x $\frac{15}{0.6}$



21 - II



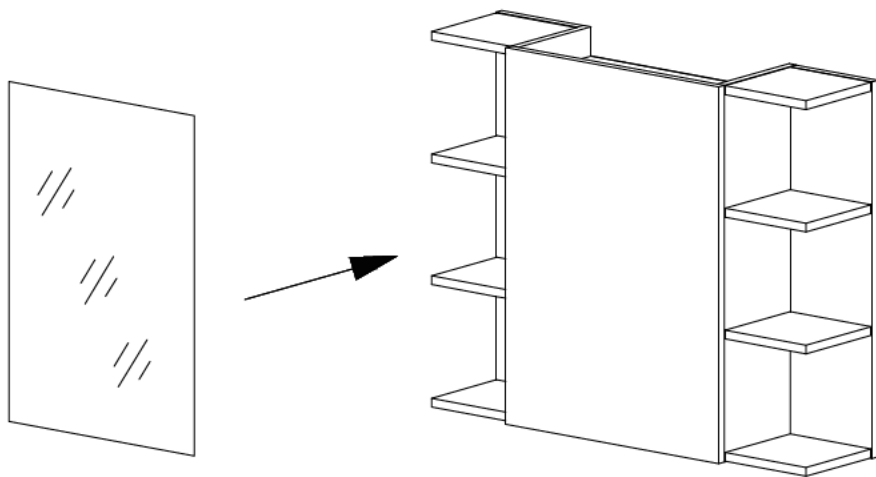
Mx4
M3.5x $\frac{15}{0.6}$



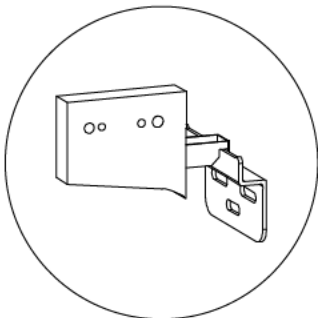
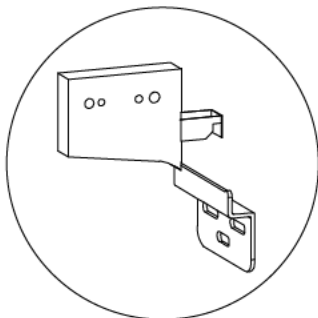
22



23



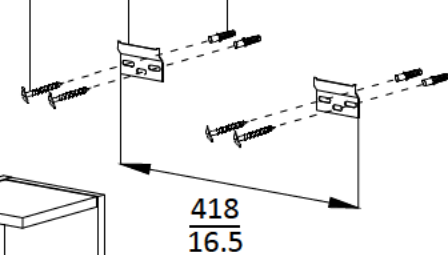
24



Qx4

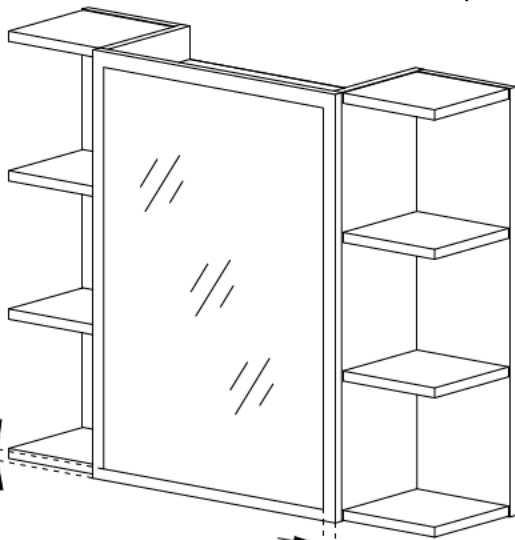
Px2

Rx4



418
16.5

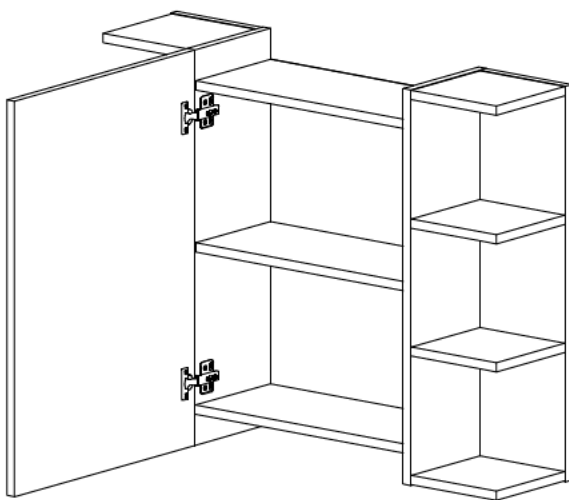
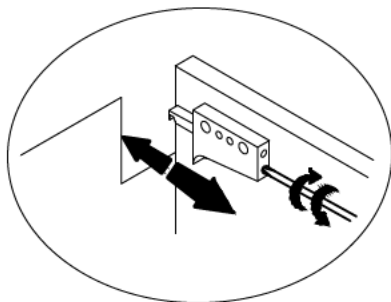
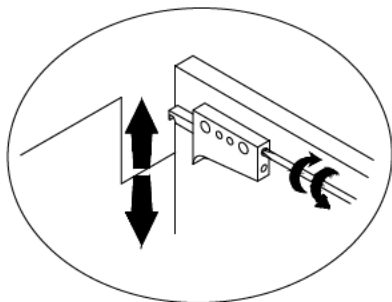
20
0.8



21
0.8

Px2	
Rx4	
Qx4	

25 - I



25 - II

