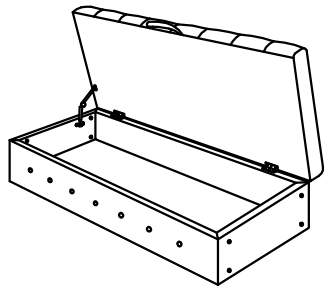


# ASSEMBLY INSTRUCTIONS

## Parts and Hardware

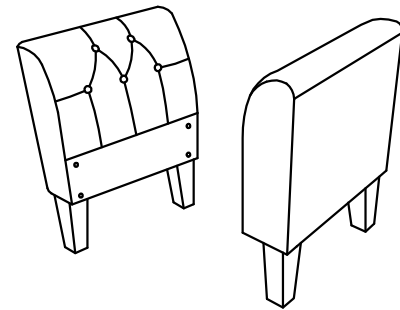
Please check to make sure you have all parts and hardware before starting assembly process.  
(Attention: The Legs & Hardware bag can be found in the bottom of Seat.)

①



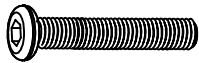
Seat Cushion (1)

②



Arms (2)

③



5/16\*50mm (8)

④



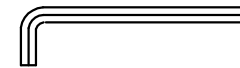
8\*22\*2mm (8)

⑤



M8 (8)

⑥



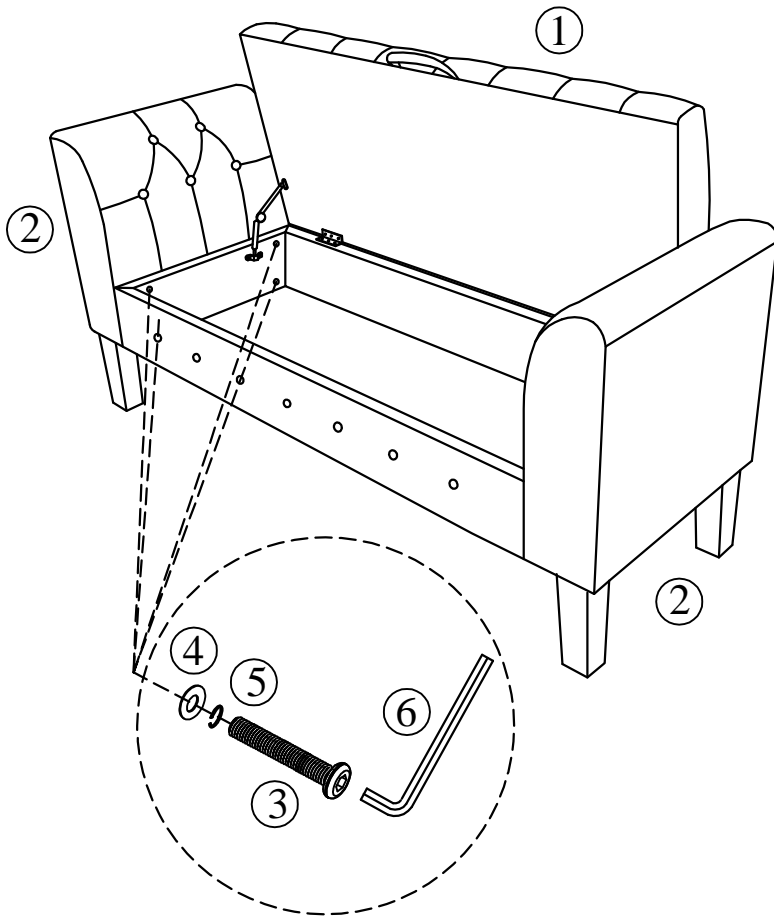
Allen Wrench (1)

# ASSEMBLY INSTRUCTIONS

## Assembly Instructions

Please read and understand all assembly instructions before beginning assembly process.  
Do not tighten any single bolt until all bolts in holes on each step

STEP 1:



STEP 2:

