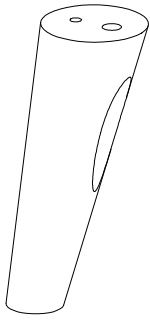


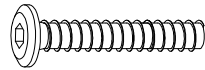
**MODEL : Sofa Bed**

**Date : 28-11-2023**

# Accessory Package



1 - Leg - 8 pcs



3 - JCBC Bolt M8x60mm - 8 pcs



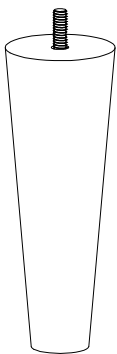
6 - M4 Allenkey - 1 pc



4 - M8 Spring Washer - 8 pcs



7 - Wood Dowel - 8 pcs

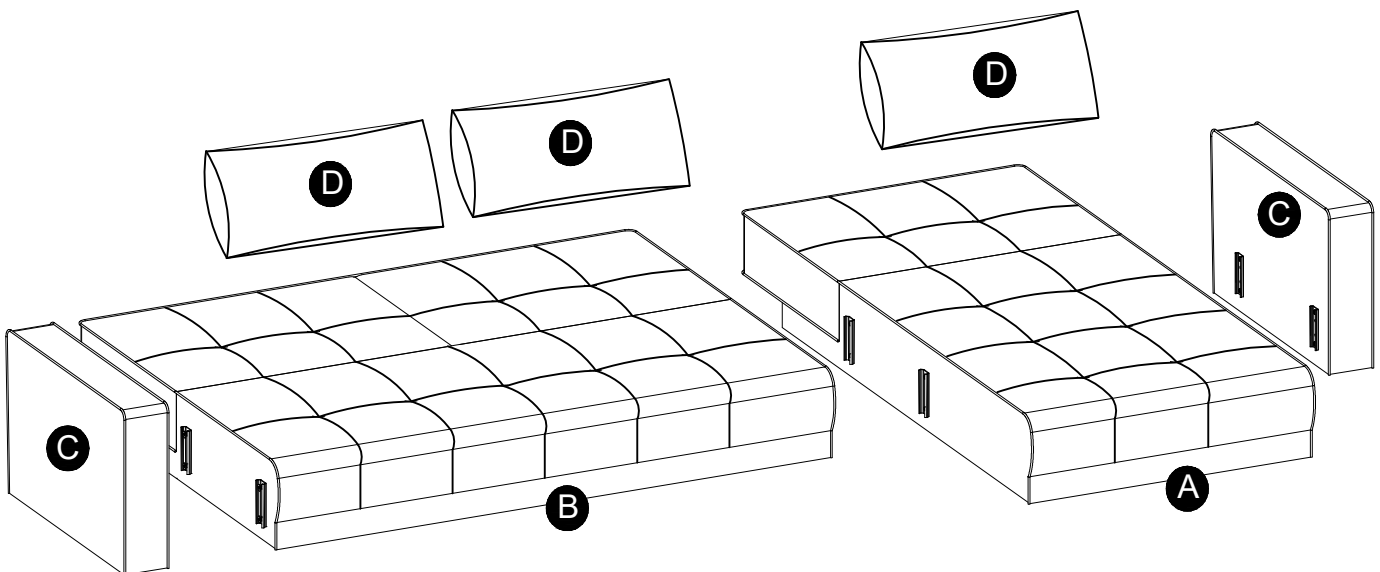


2 - Center Leg - 1 pc

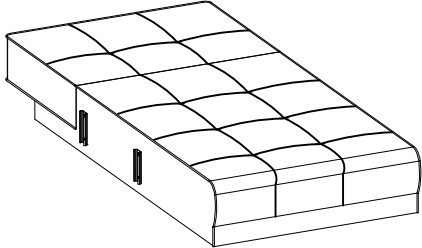
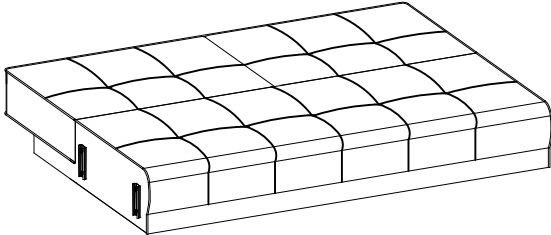
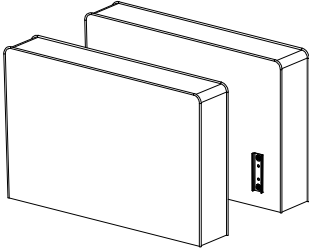
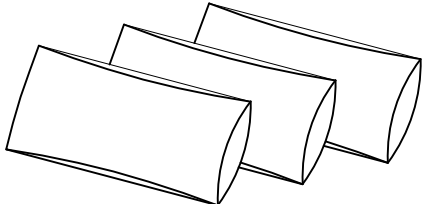


5 - M5 Allenkey - 1 pc

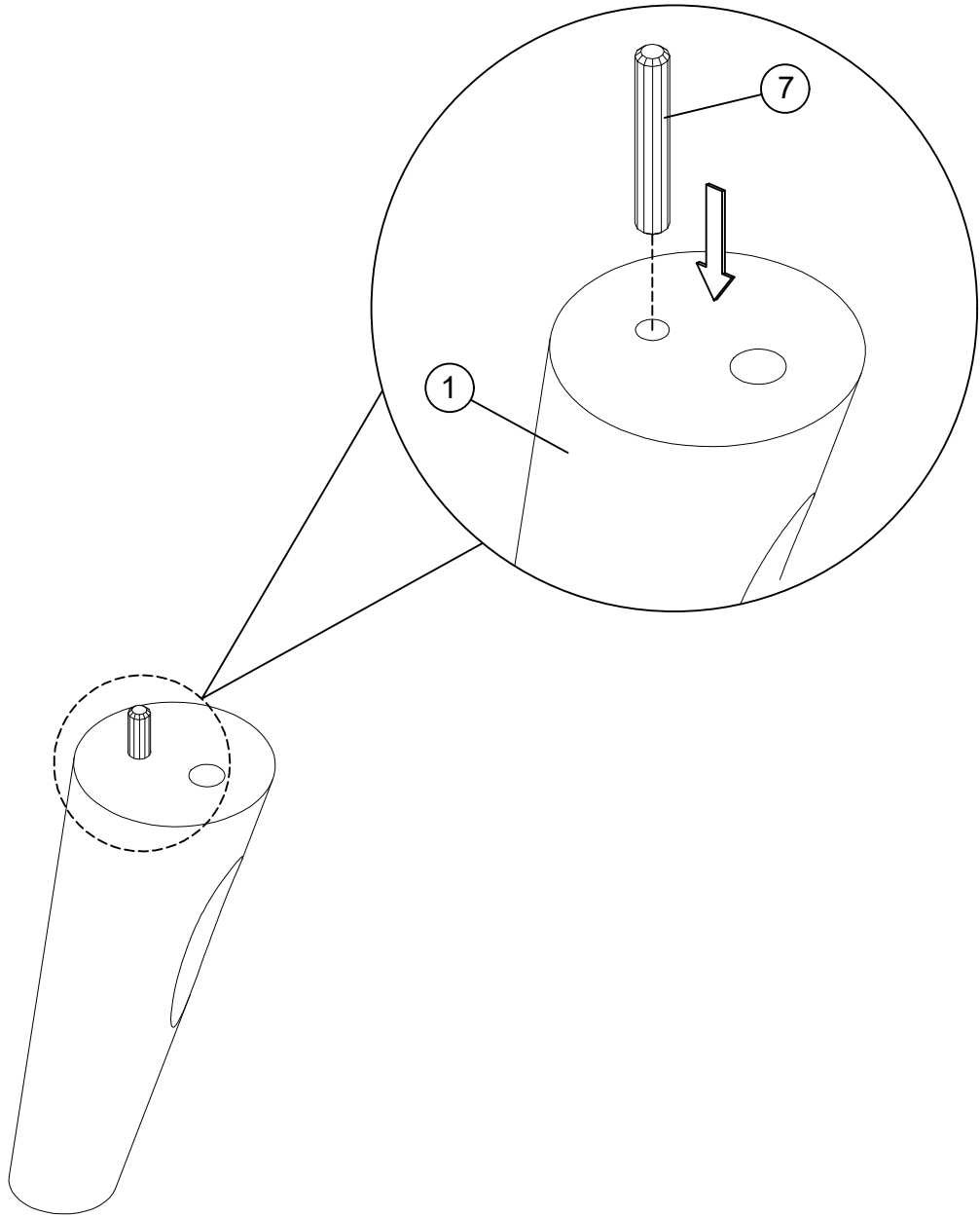
# Diagram of Components



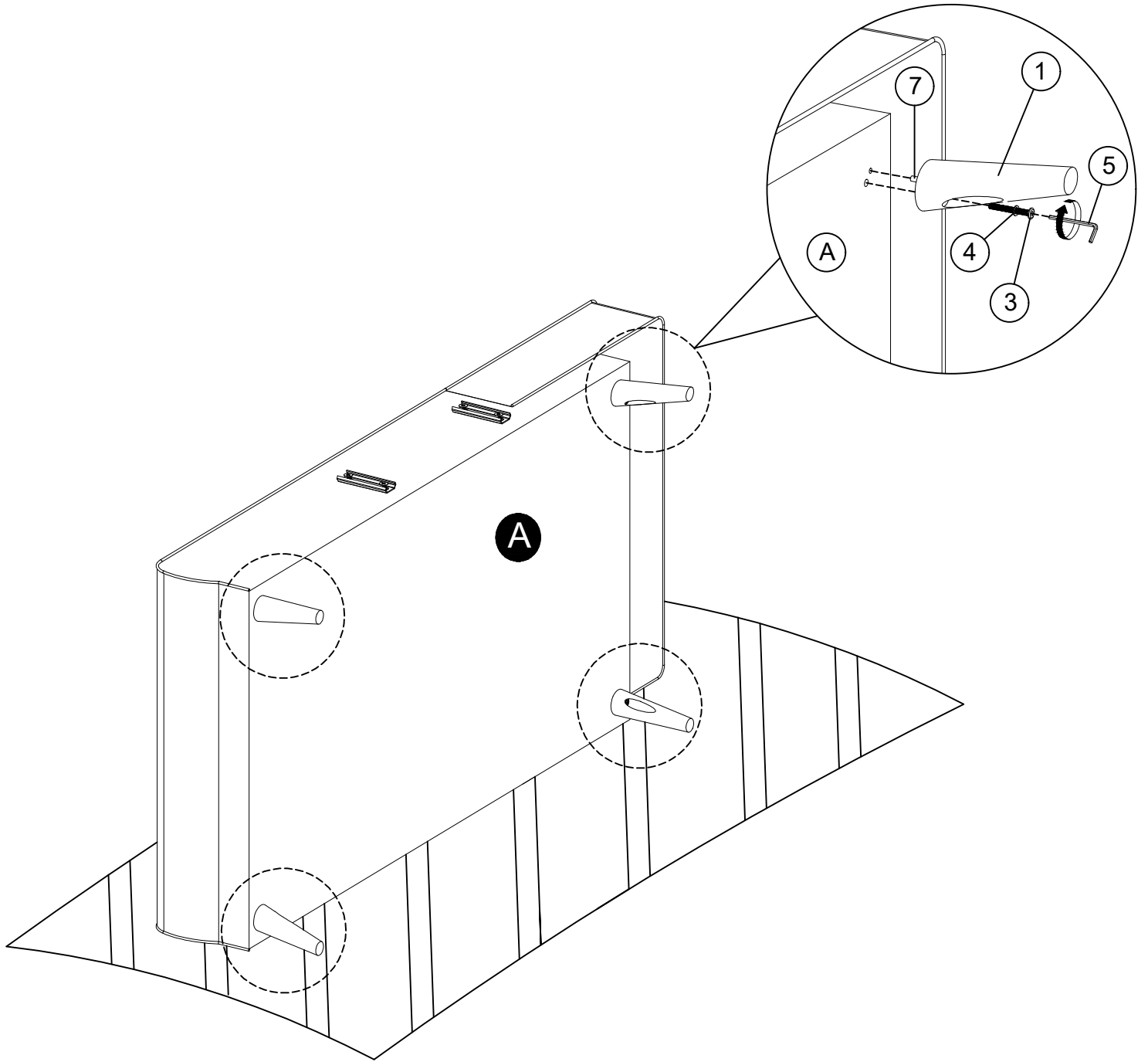
# Parts Included

No.	Parts	Qty.
<b>A</b>	 A line drawing of a rectangular sofa chaise with a tufted top surface and a small rectangular cutout on the side.	1
	Sofa Chaise	
<b>B</b>	 A line drawing of a rectangular sofa seat with a tufted top surface and a small rectangular cutout on the side.	1
	Sofa Seat	
<b>C</b>	 A line drawing of two rectangular handrests, one slightly behind the other, with a small rectangular cutout on the side of the front one.	2
	Handrest	
<b>D</b>	 A line drawing of three cylindrical pillows of varying lengths, arranged in a row.	3
	Pillow	

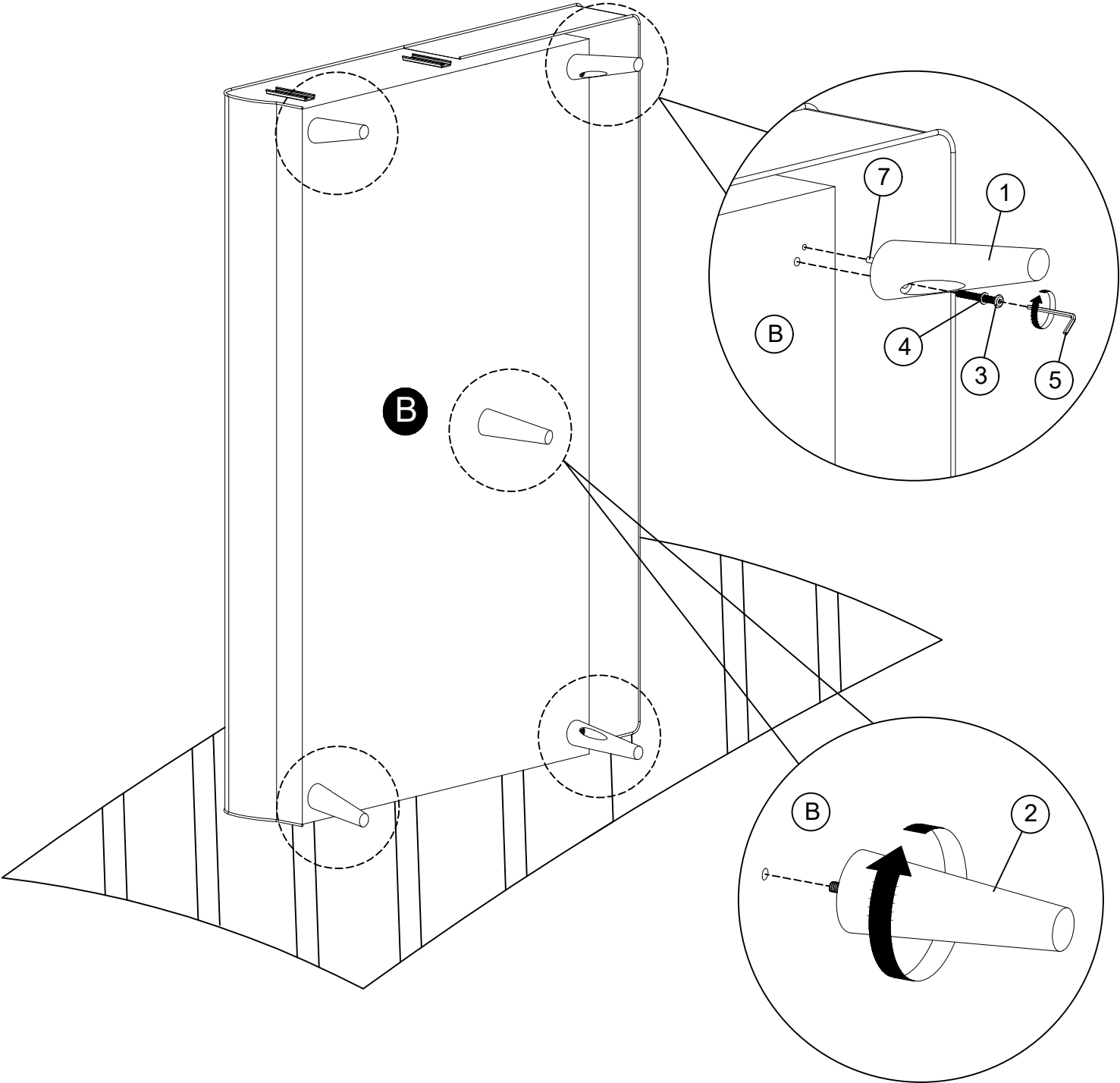
# Step 1



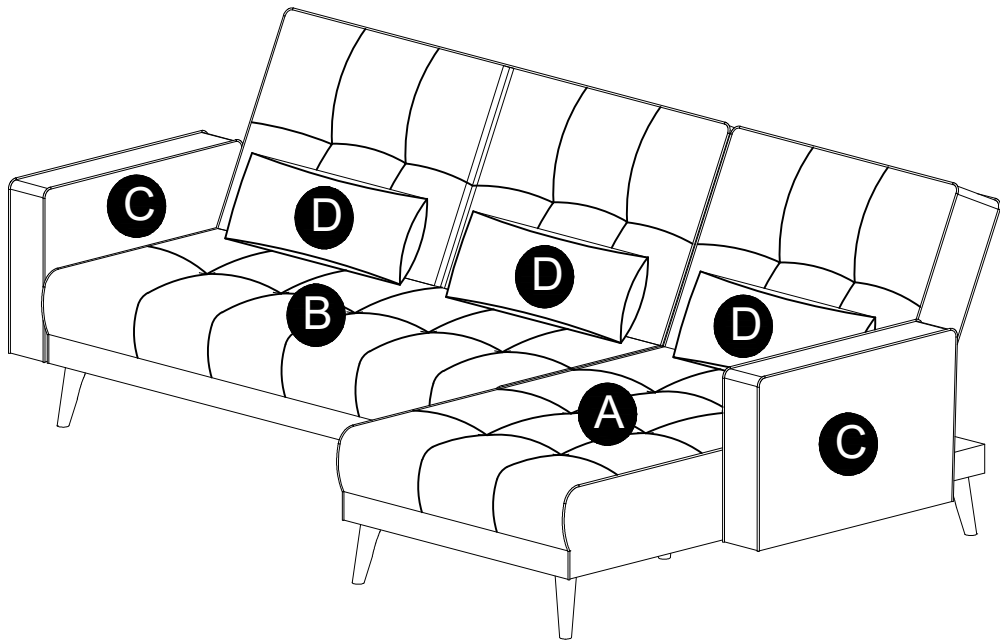
# Step 2



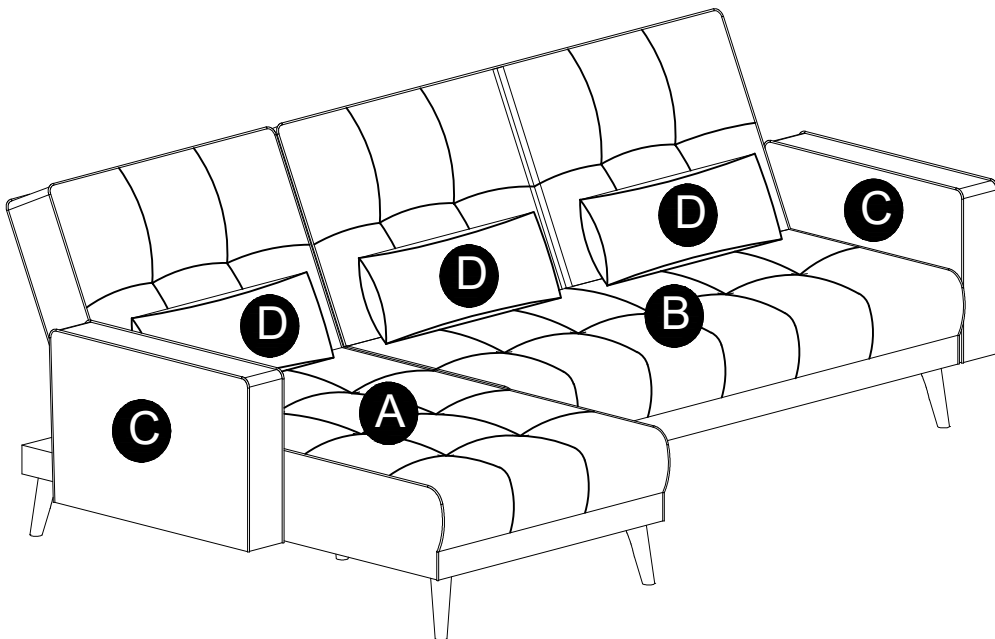
# Step 3



# Either Left or Right

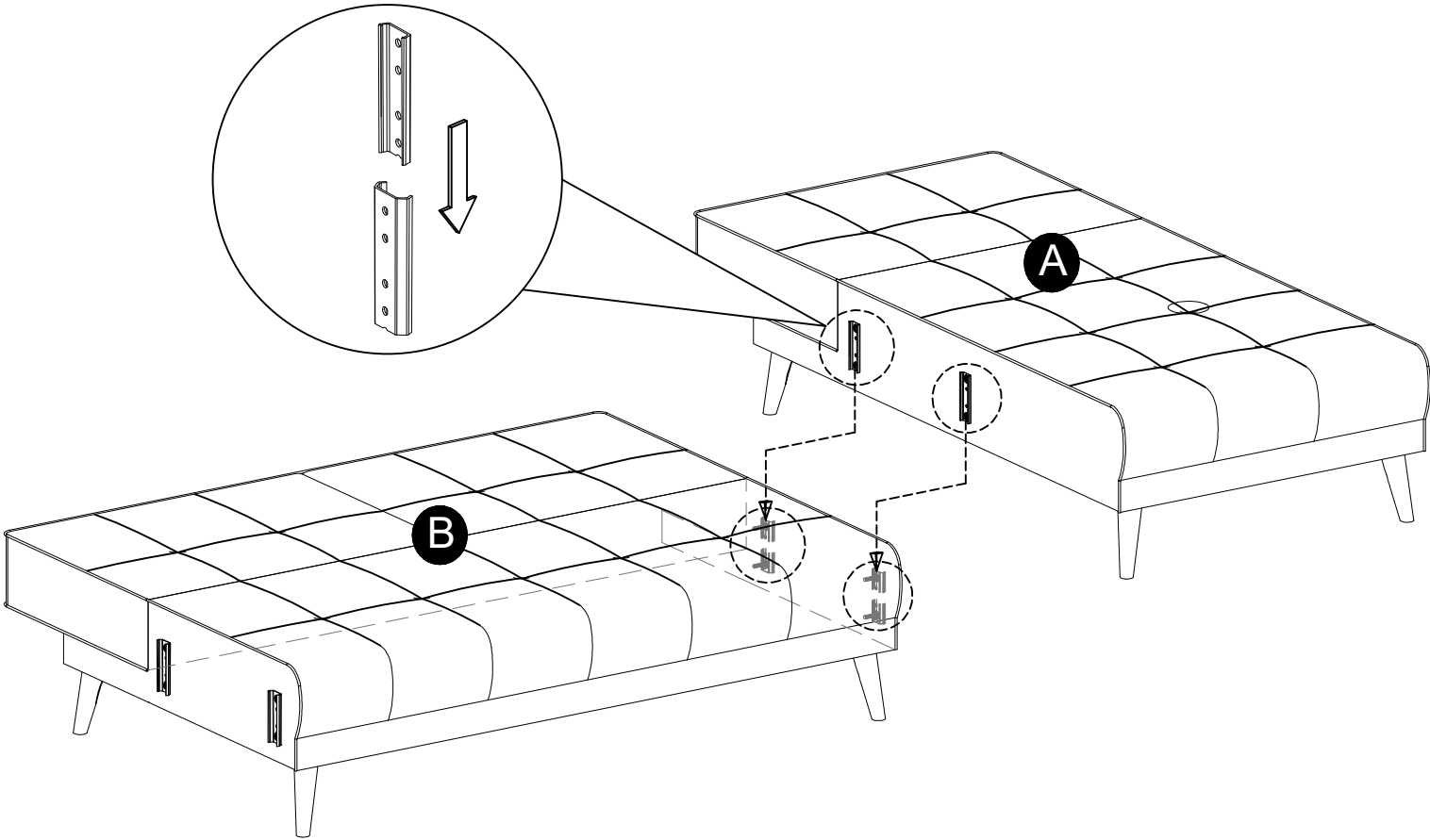


PAGE 8 TO PAGE 9

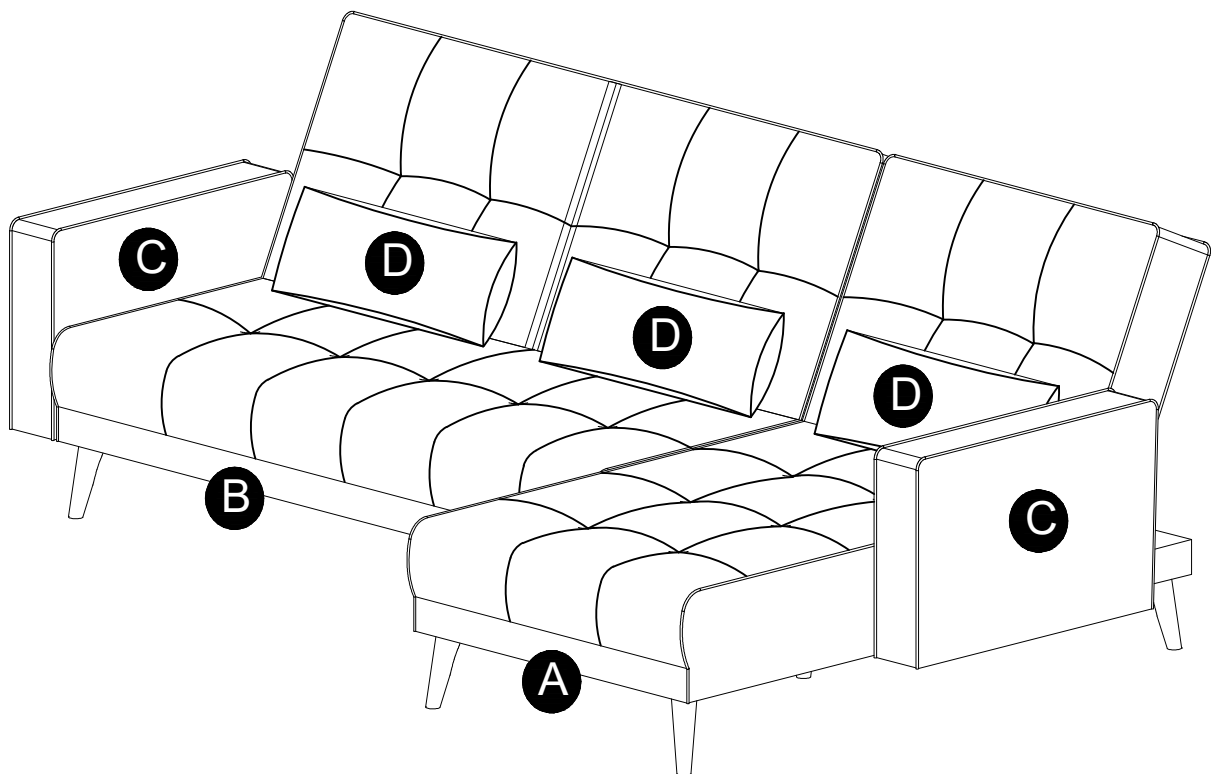
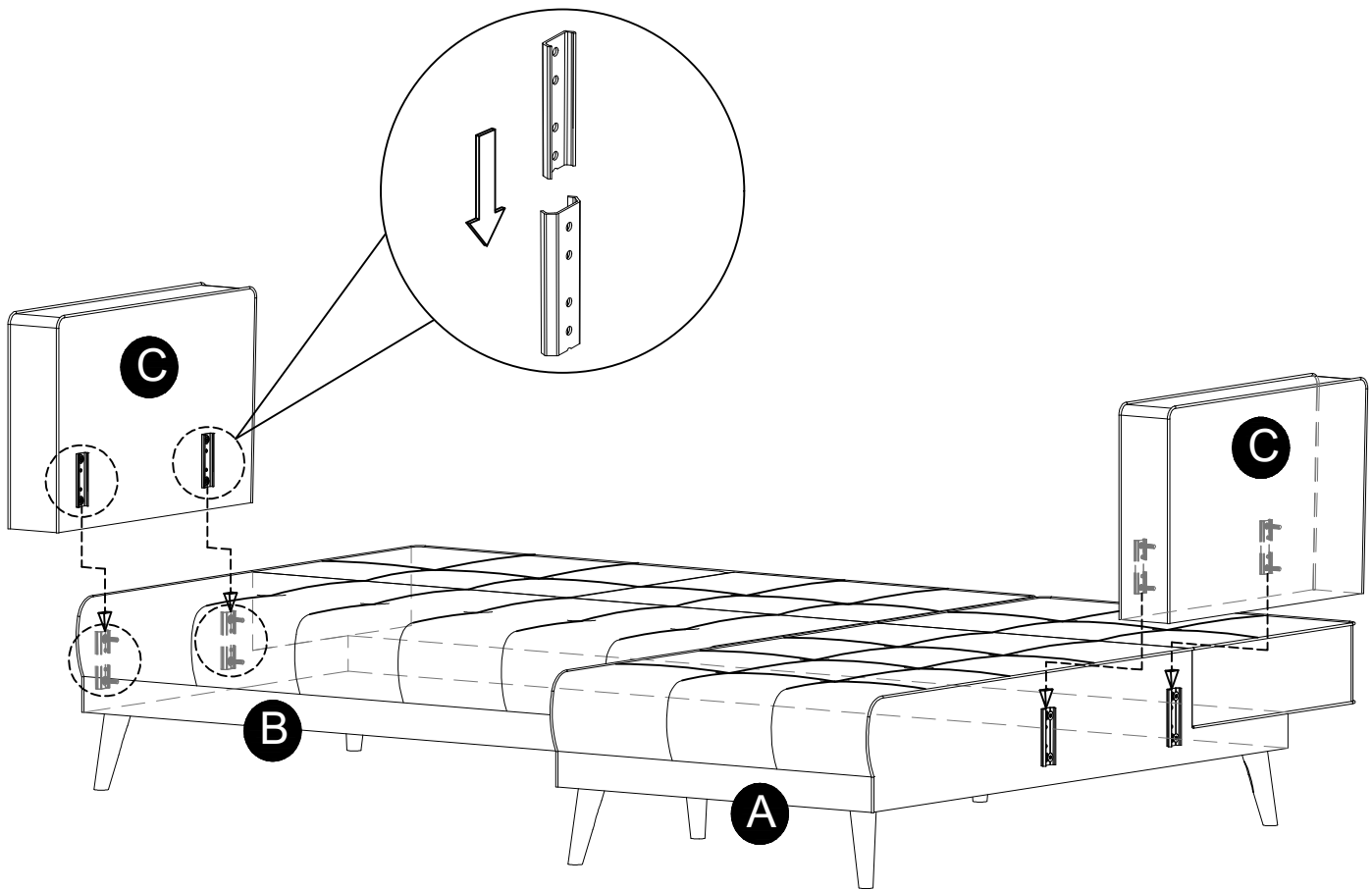


PAGE 10 TO PAGE 13

# Step 4

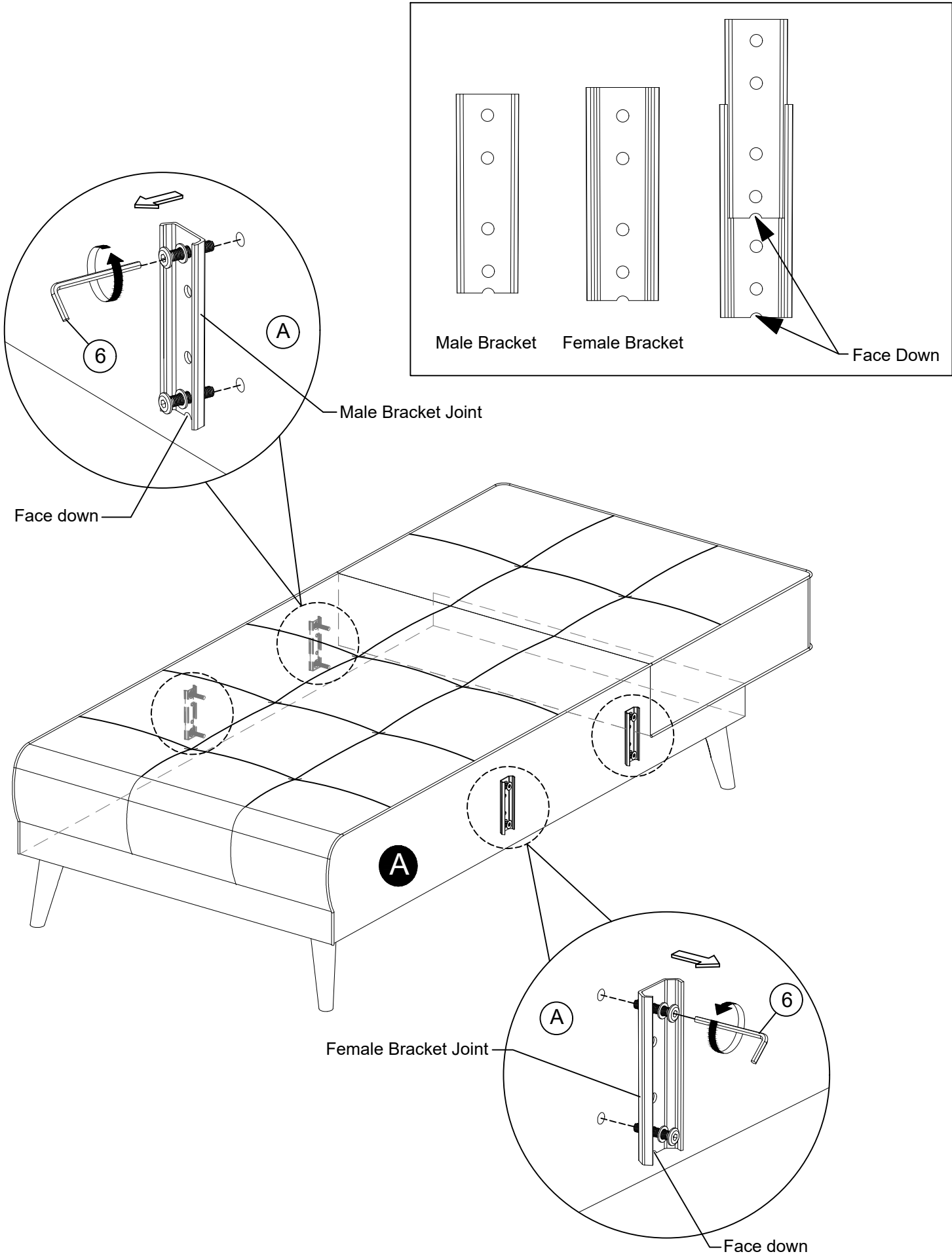


# Step 5

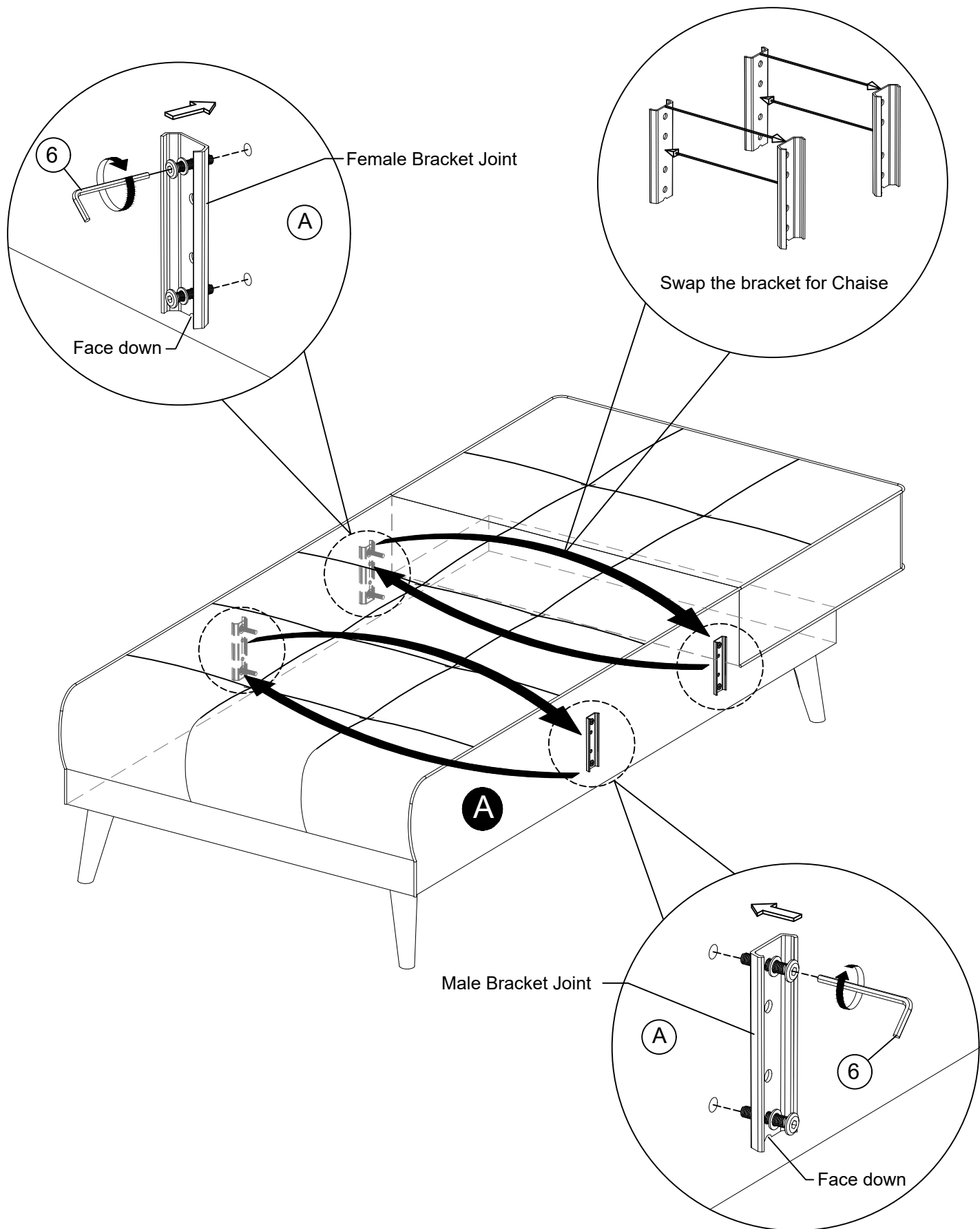


Finish Assembly

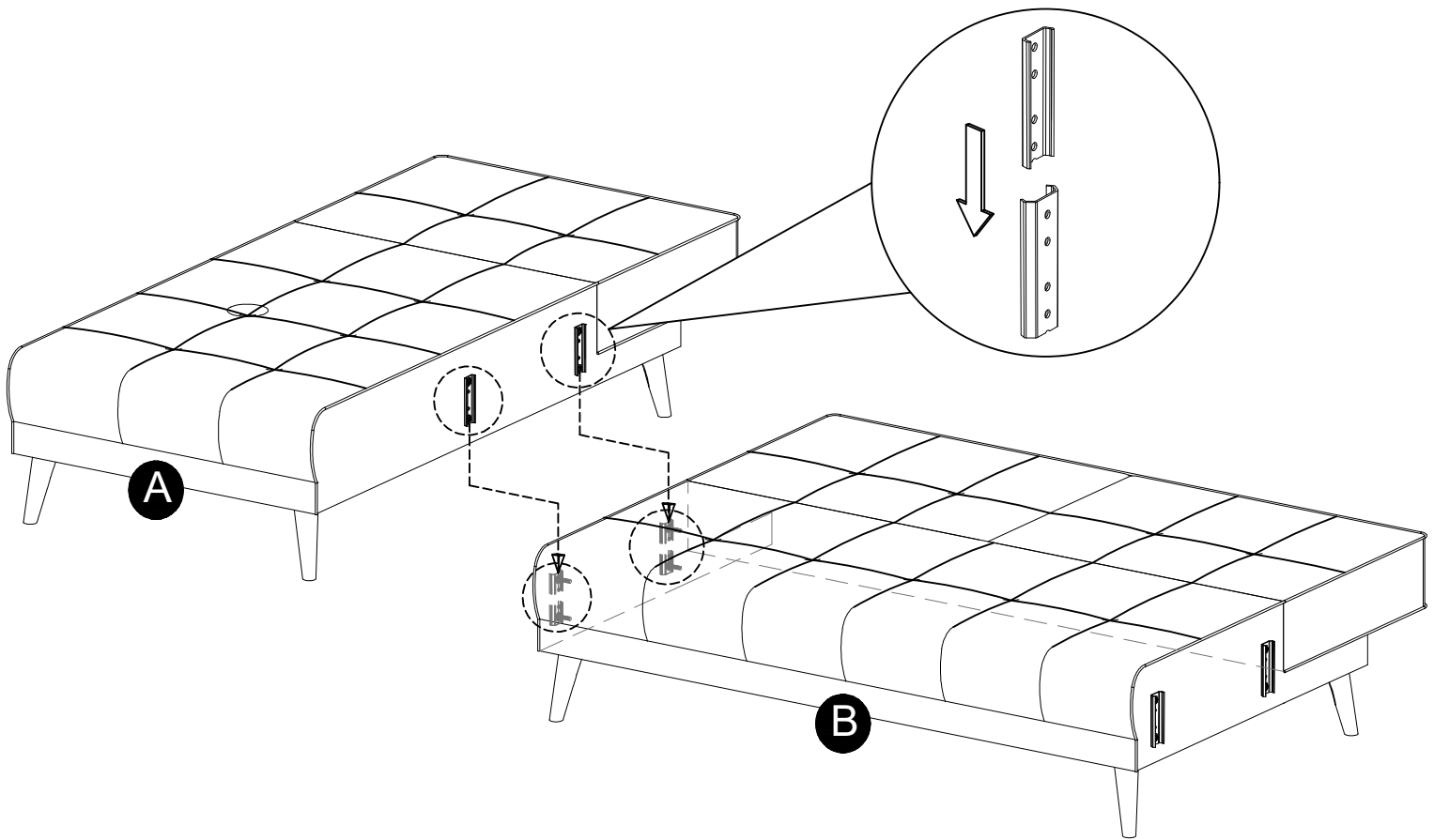
# Step 4



# Step 5



# Step 6



# Step 7

