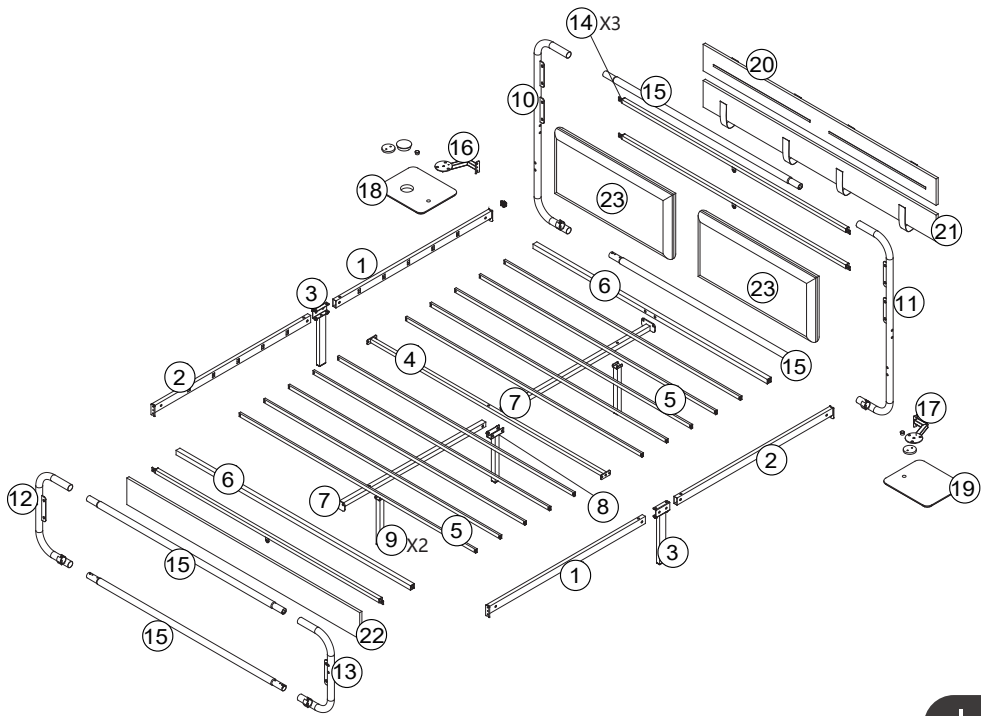


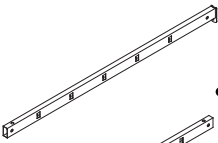
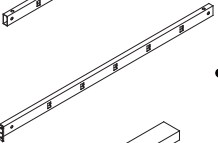
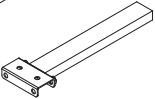
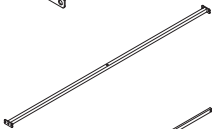

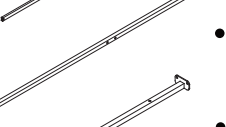
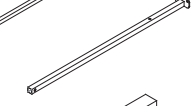
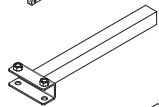
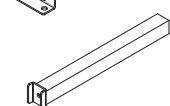
Assembly Instruction

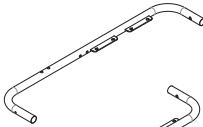
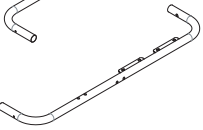
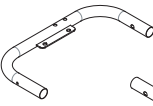
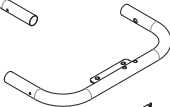

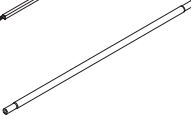
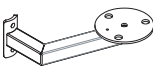
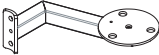
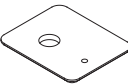
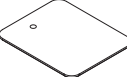


Important Note

HARDWARE NOTE :
 1. Two or more people are required for assembly
 2. Do not screw on the bolts too tight unless the installation is done. Make sure all bolts are tightly screwed before you use it.

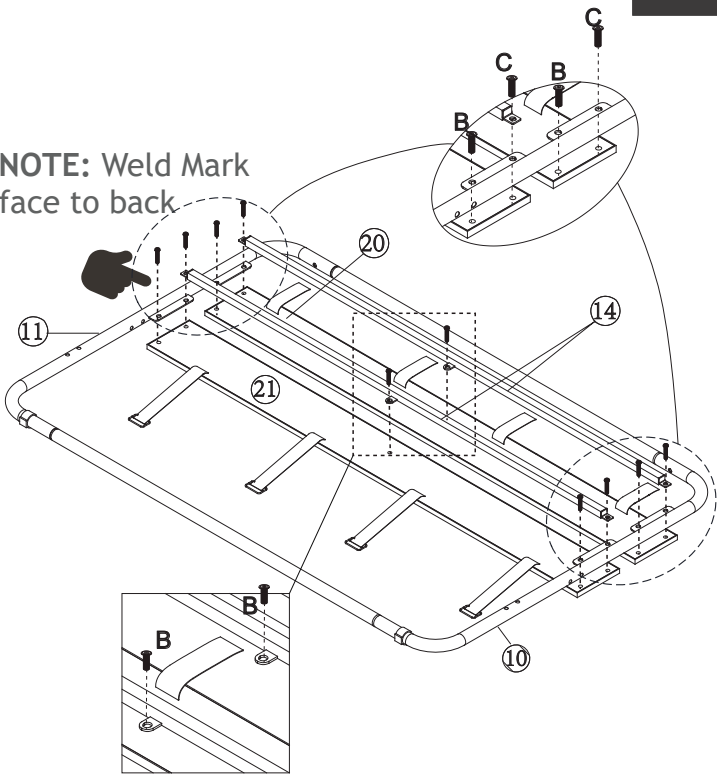
Components



-  1 x2pcs
-  2 x2pcs
-  3 x2pcs
-  4 x1pc
-  5 x10pcs
-  6 x2pcs
-  7 x2pcs
-  8 x1pc
-  9 x2pcs

-  10 x1pc
-  11 x1pc
-  12 x1pc
-  13 x1pc
-  14 x3pcs
-  15 x4pcs
-  16 x1pc
-  17 x1pc
-  18 x1pc
-  19 x1pc

2

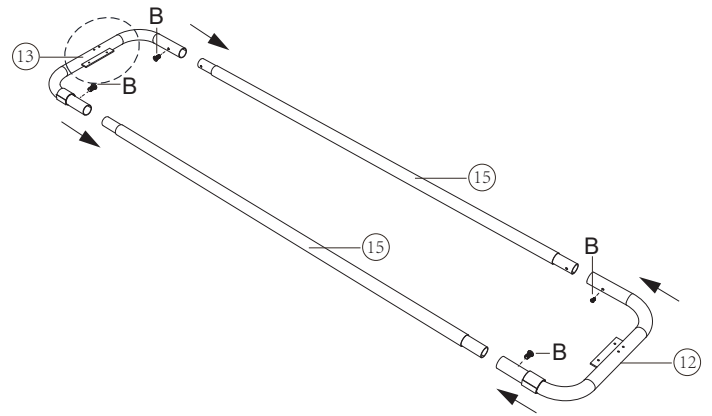
NOTE: Weld Mark
face to back



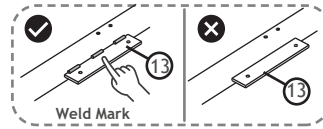
B		6pcs
C		4pcs

white zinc

3



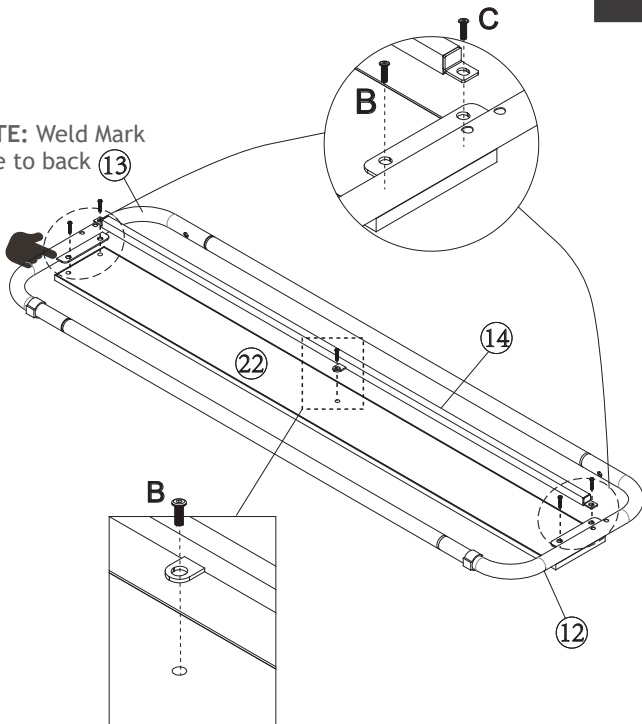
We need to make sure part 13 & 12
is installed with the side that has
the weld marks facing up first.





B		4pcs
---	--	------

4

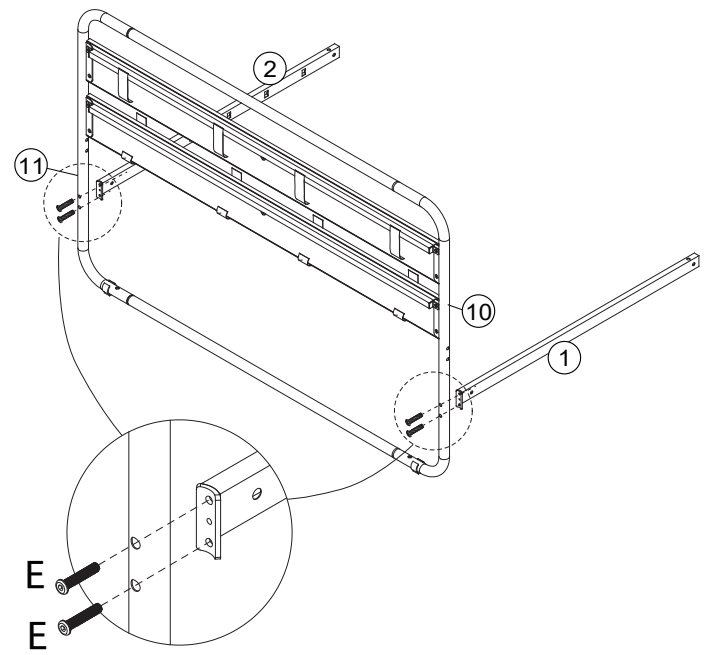
NOTE: Weld Mark
face to back



B		3pcs
C		2pcs

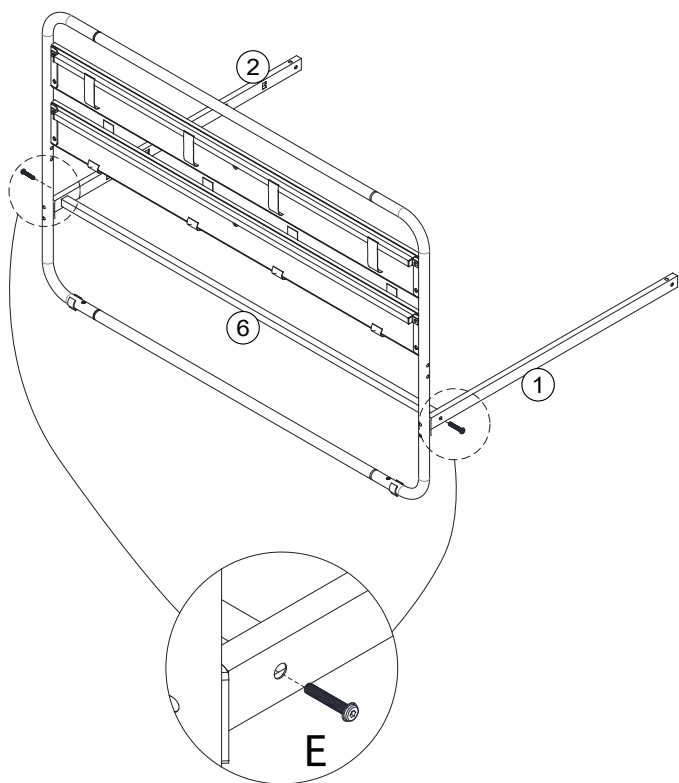
white zinc


5



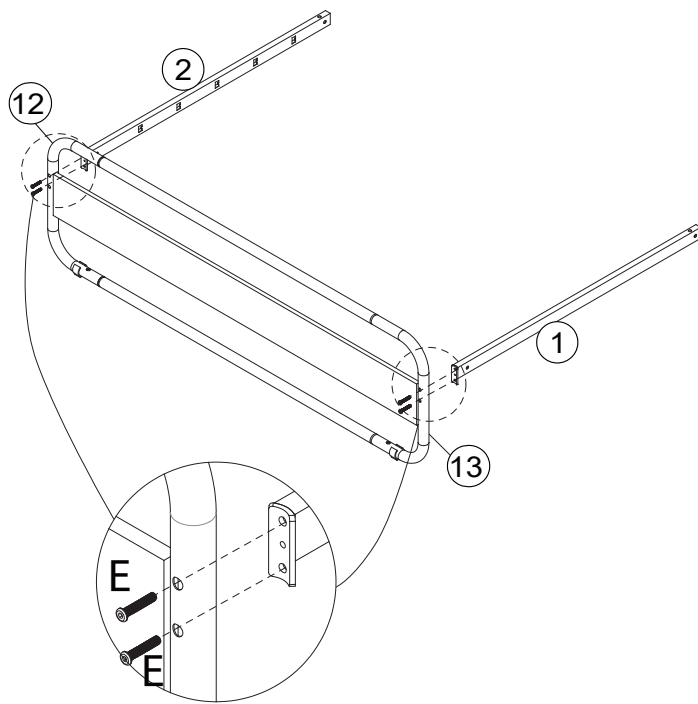
E		4pcs
---	--	------

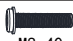
6



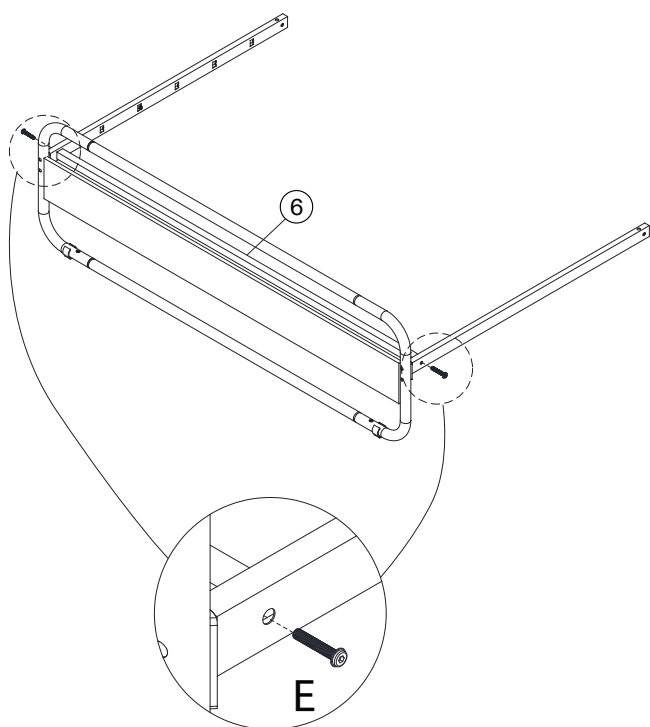
E		2pcs
M8x40		

7



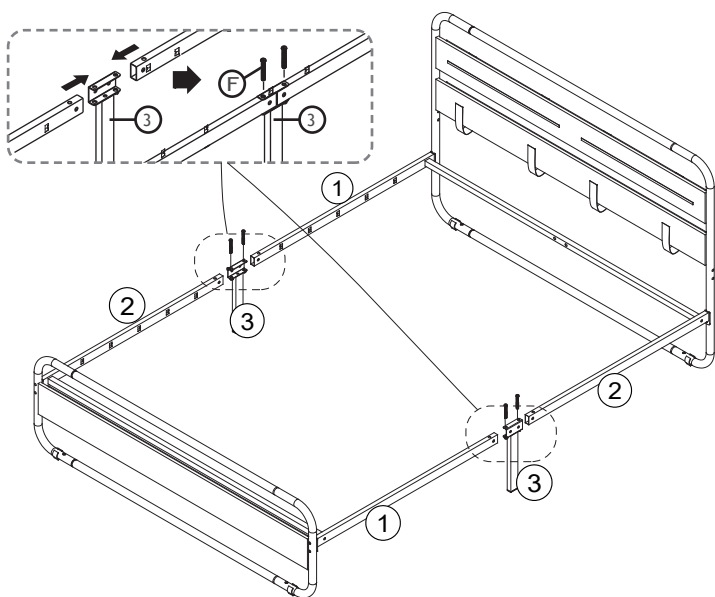
E		4pcs
M8x40		

8



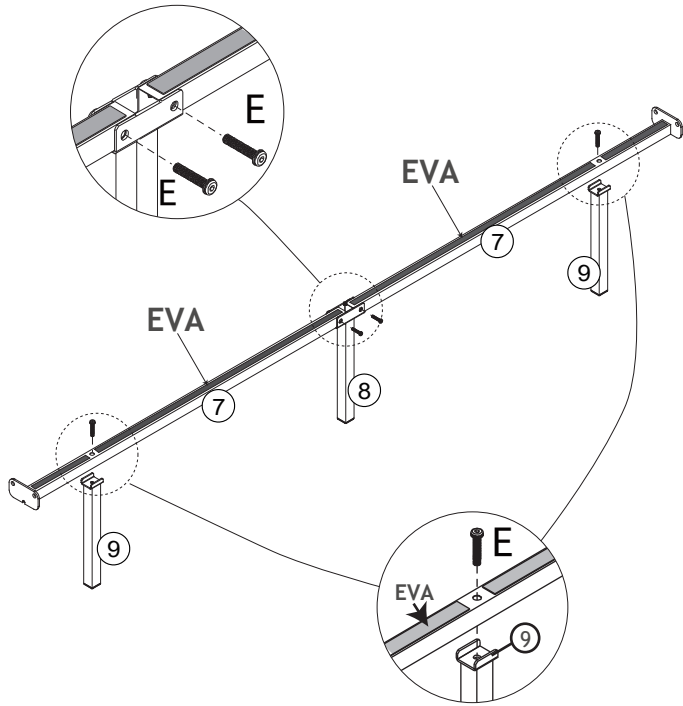
E		2pcs
M8x40		


9



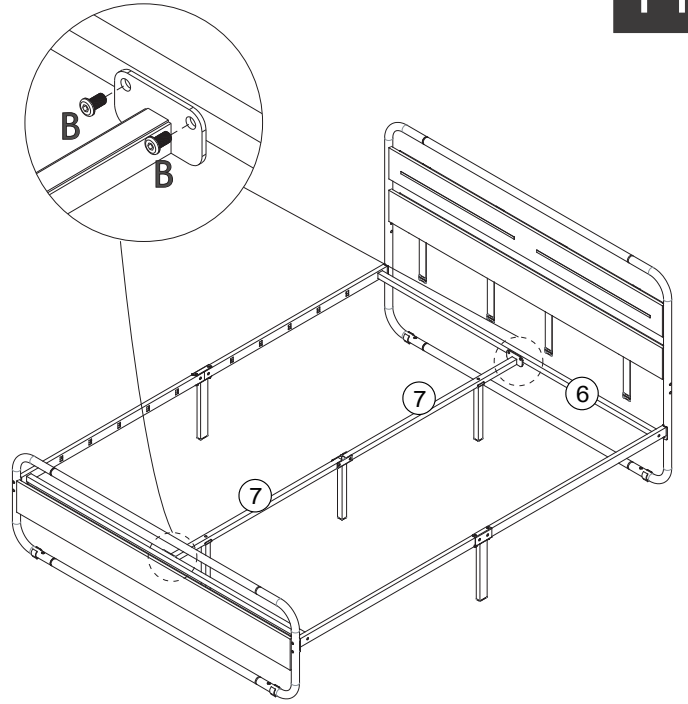
F		4pcs
M8x55		

10



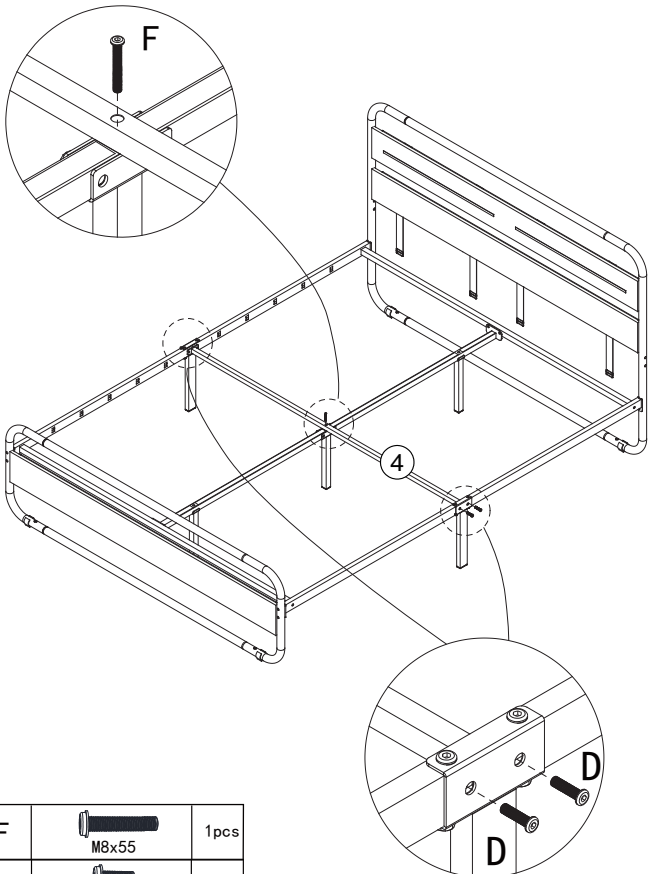
E		4pcs
	M8x40	



11



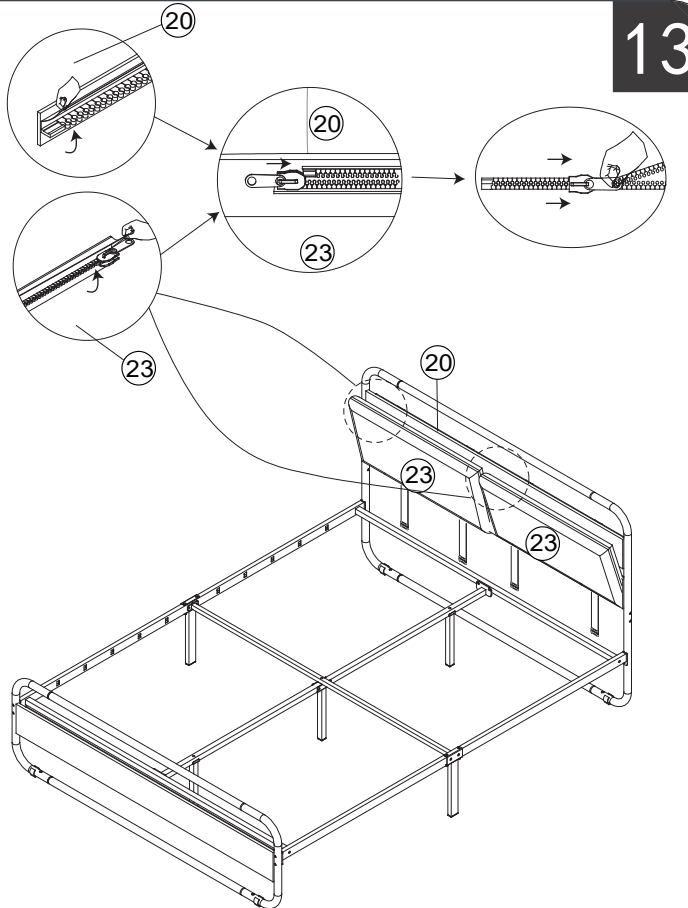
B		4pcs
	M8x14	

12

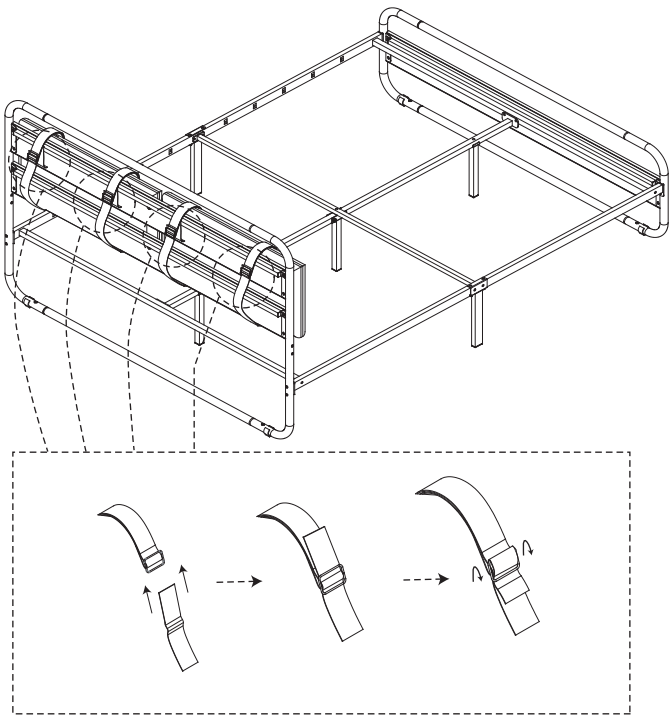


F		1pcs
	M8x55	
D		4pcs
	M8x30	

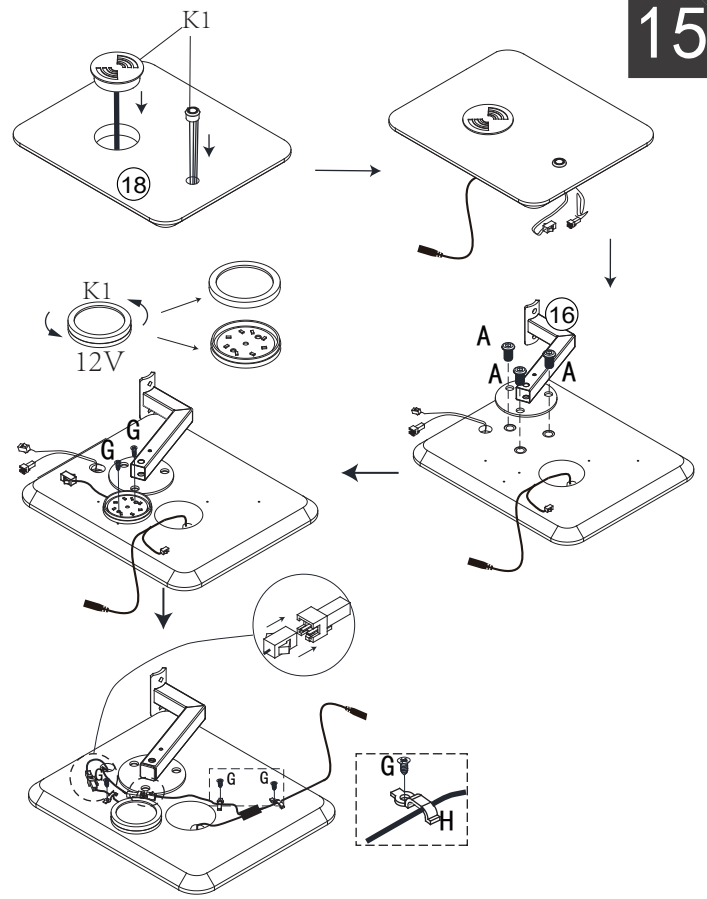
13



14



15

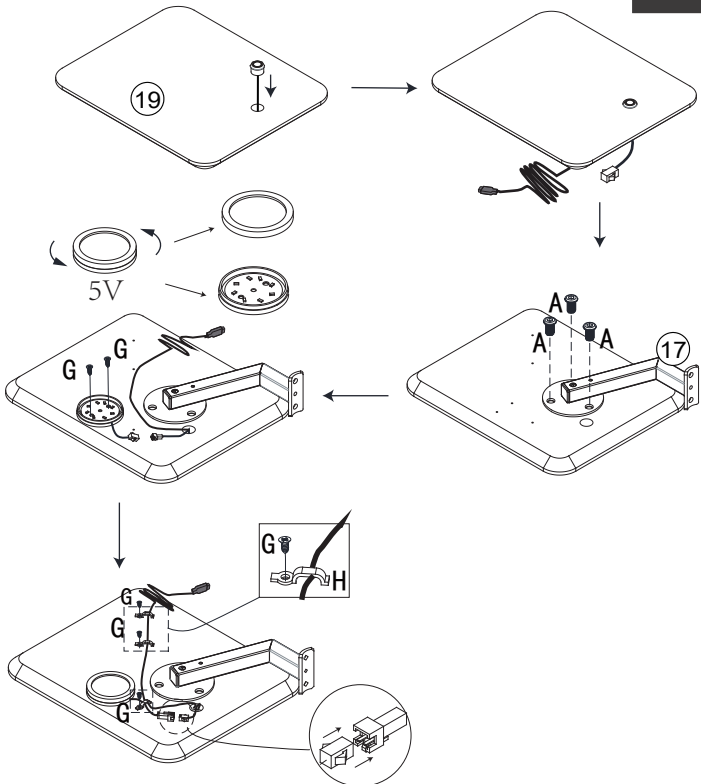


G	ST3. 2x10	5pcs
A	M8x10	3pcs

white zinc

Notice: This LED is 12V

16

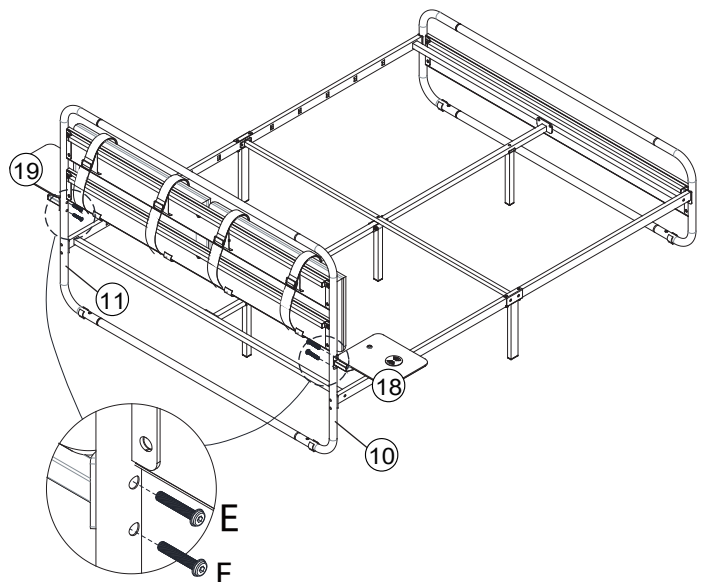


G	ST3. 2x10	5pcs
A	M8x10	3pcs

white zinc

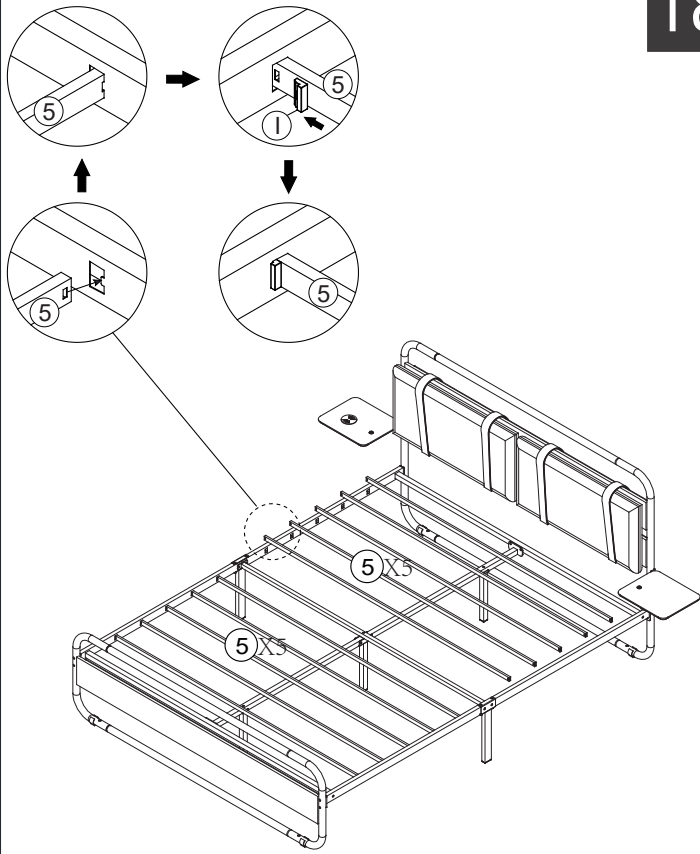
Notice: This LED is 5V

17



E	M8x40	4pcs
---	-------	------

18



19

Finish

