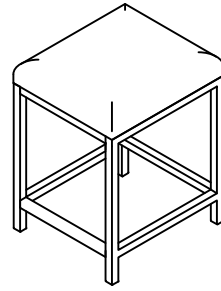


# ASSEMBLY INSTRUCTIONS



074-691  
1PC COUNTER HEIGHT STOOL

## TOOLS REQUIRED:

Allen Wrench (Provided, Part A)  
Phillips Screwdriver (Not provided)

## BEFORE YOU START:

1. Check the hardwares against the hardware list to make sure all items are present.
2. Assemble your furniture on a soft, flat surface to avoid scratching the finish.
3. **CAUTION:** Do not over tighten screws, nuts or bolts during assembly.
4. Your furniture may require occasional tightening.

## INSTRUCTIONS:

Step 1. Insert the stretchers to the side frame. Tighten Bolt by Allen Wrench (A)

Step 2. Turn the stool upside down. Use screwdriver to screw and secure the cushion as shown in Figure 2.

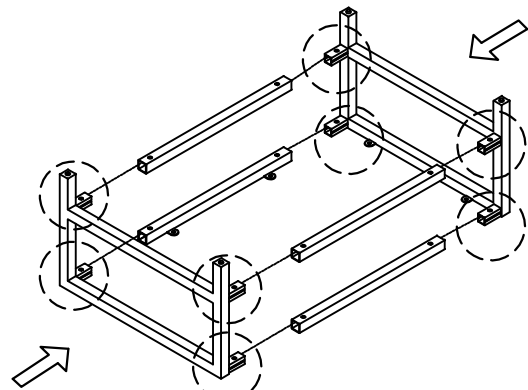
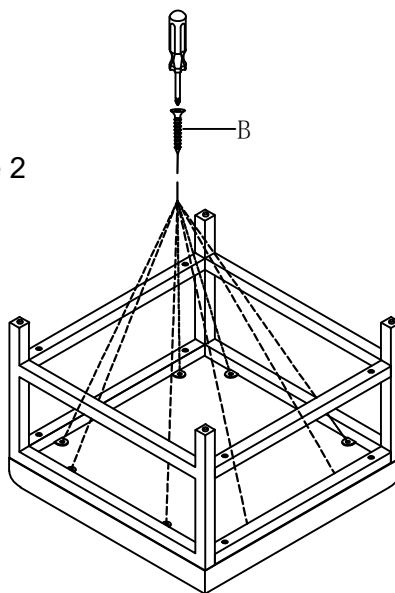




Figure 1

Figure 2



HARDWARE LIST			
A		Allen Wrench (100*50*5mm)	1pcs
B		Screw (Φ8x5/8")	16pcs