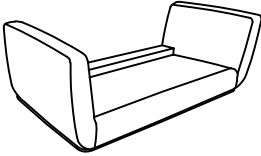
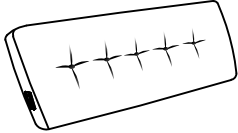

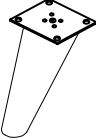
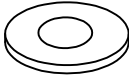
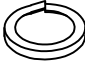




# Assembly Instruction

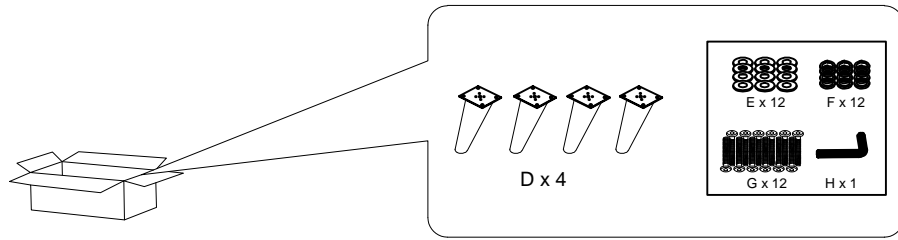
## LOVESEAT

Note: Do not use power tools for assembly. Power tools increase the risk of over tightening which lead to splitting or cracking the wood.

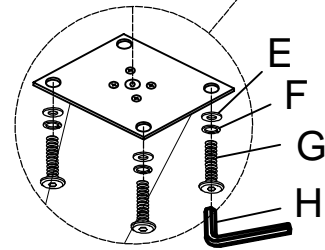
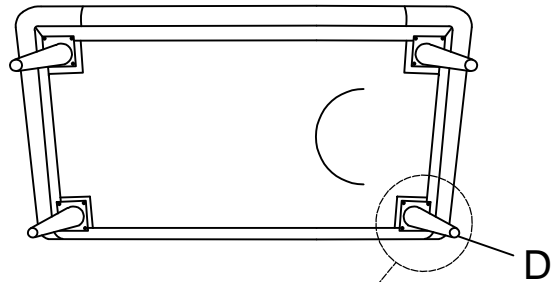
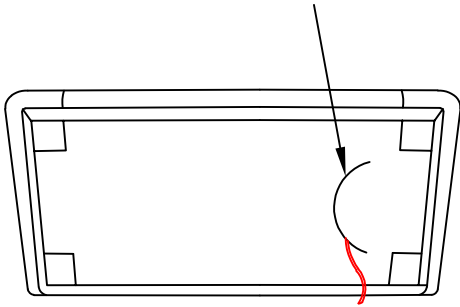
### Component list

No	Drawing	Qty	Description
<b>A</b>		<b>1</b>	<b>SEAT</b>
<b>B</b>		<b>1</b>	<b>BACK</b>
<b>C</b>		<b>2</b>	<b>SEAT CUSHION</b>
<b>D</b>		<b>4</b>	<b>WOODEN LEG (70*155H)</b>
<b>E</b>		<b>12</b>	<b>FLAT WASHER (1/4"*16*1.5MM)</b>
<b>F</b>		<b>12</b>	<b>SPRING WASHER (1/4")</b>
<b>G</b>		<b>12</b>	<b>BOLT (1/4"*35MM)</b>
<b>H</b>		<b>1</b>	<b>ALLEN KEY (M4*50*100MM)</b>

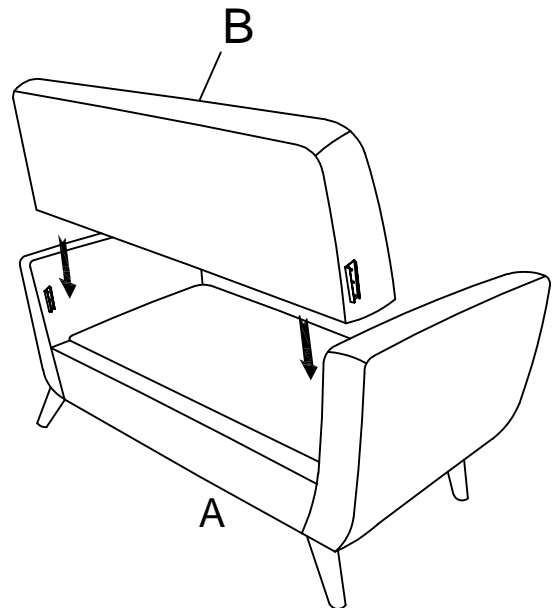
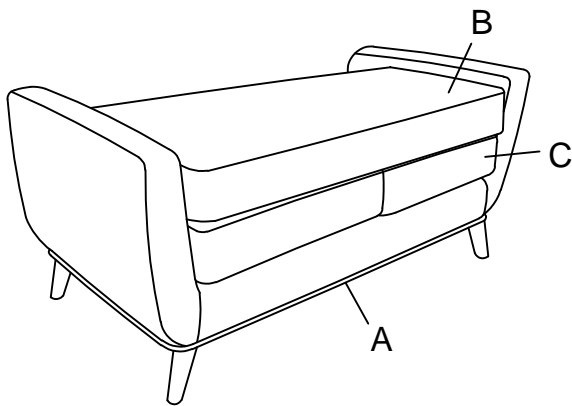
# Step #1



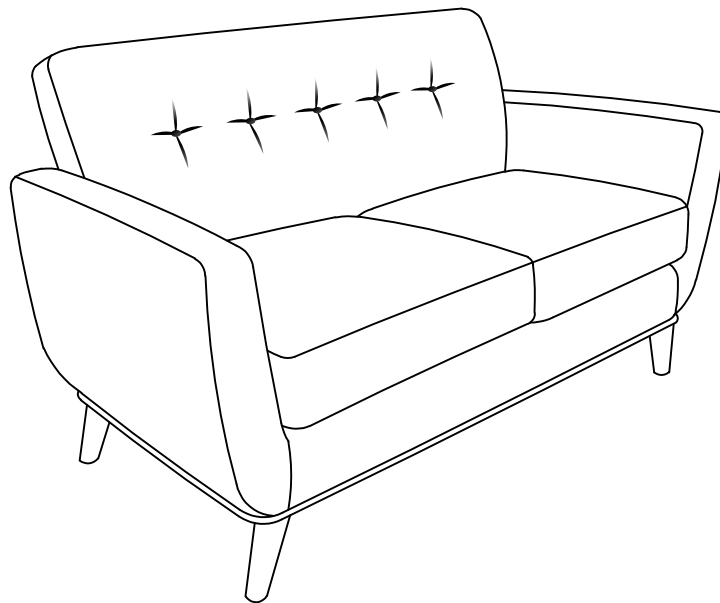
LEGS & HARDWARE INSIDE



# Step #2



### Step #3



### Care Instruction for Textured Furniture:

In order to maintain the original appearance of your Textured Furniture, please follow below simple care procedures:

- Avoid exposing furniture directly to sunlight or heating and air conditioning outlets. Sunlight and or exposure to heating and air conditioning outlets will fade/damage Textured Fabric.
- Vacuum or wipe with a soft cloth to remove dust.
- Hardware may loosen over time. Periodically check to make sure all connection are tight, Re-tighten if necessary.



For items use on wooden floor, hard surfaces or carpets, it is recommended to Install protective pads under all legs and supports to avoid/prevent from damages/scratches and discoloration.