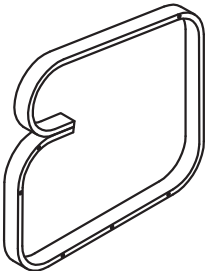
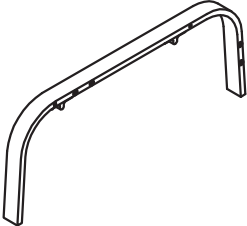
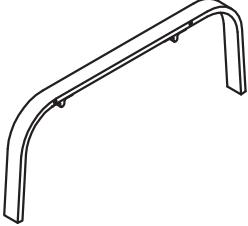
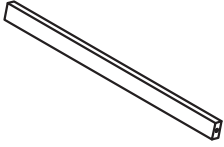
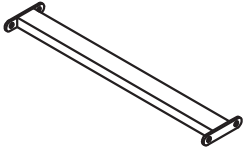
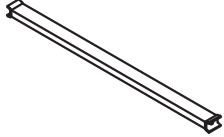
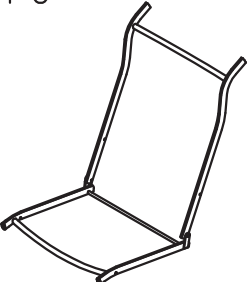










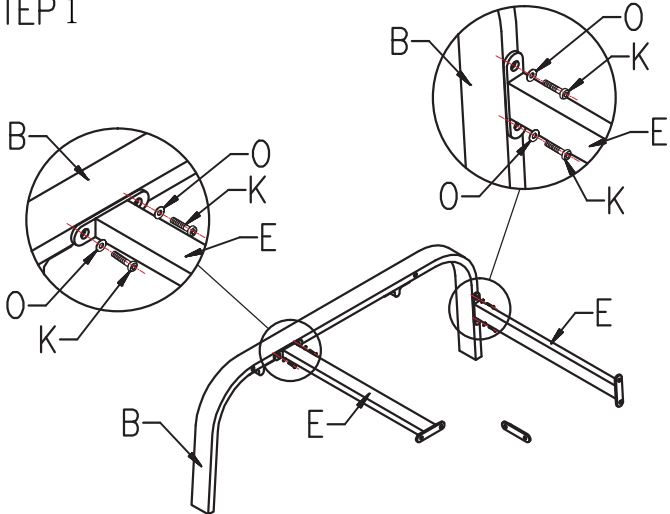


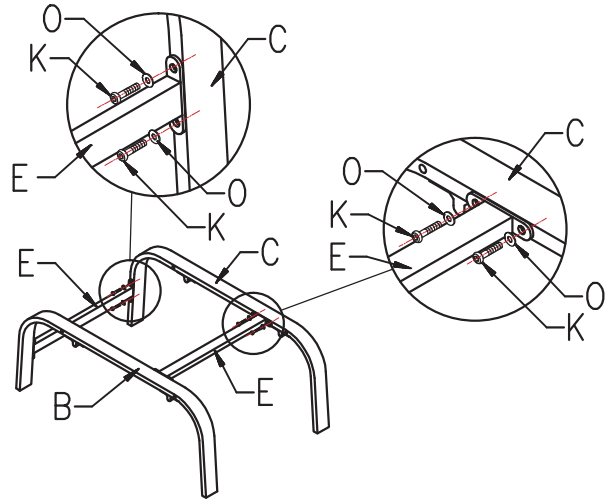
## INSTALLATION AND ASSEMBLY

A/2PCS 	B/1PC 	C/1PC 	D/2PCS 		
E/2PCS 	F/2PCS 	G/1PC 	H/4PCS 	k/8PCS  M6*15	
			J/4PCS 	L/4PCS  M6*20	
M/4PCS  M6*55	N/12PCS  M6*72	O/28PCS 	P/12PCS 	AA/1PC 	BB/1PC 

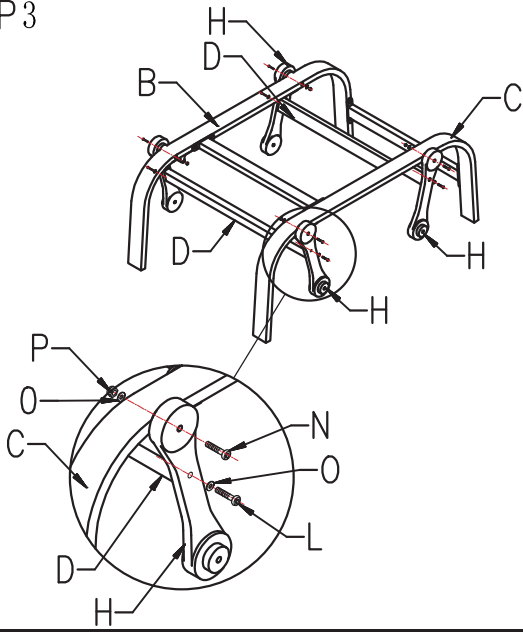
### STEP 1



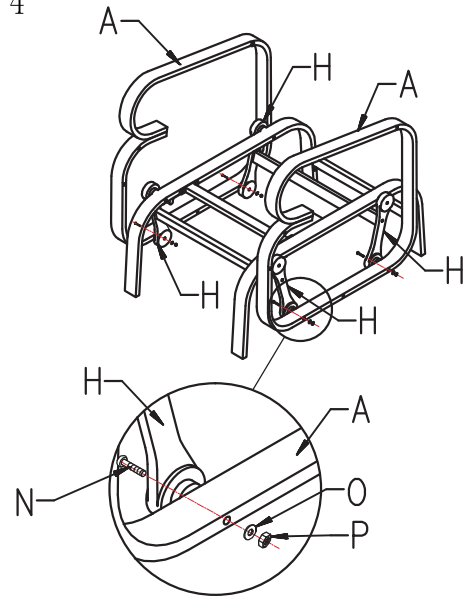
### STEP 2



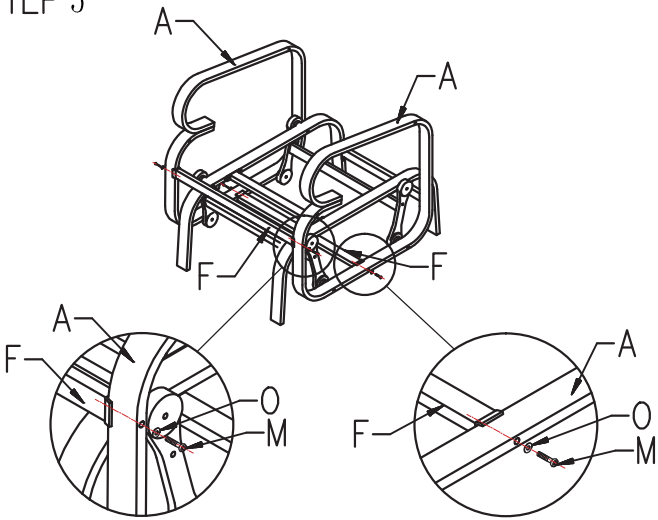
STEP 3



STEP 4



STEP 5



STEP 6

