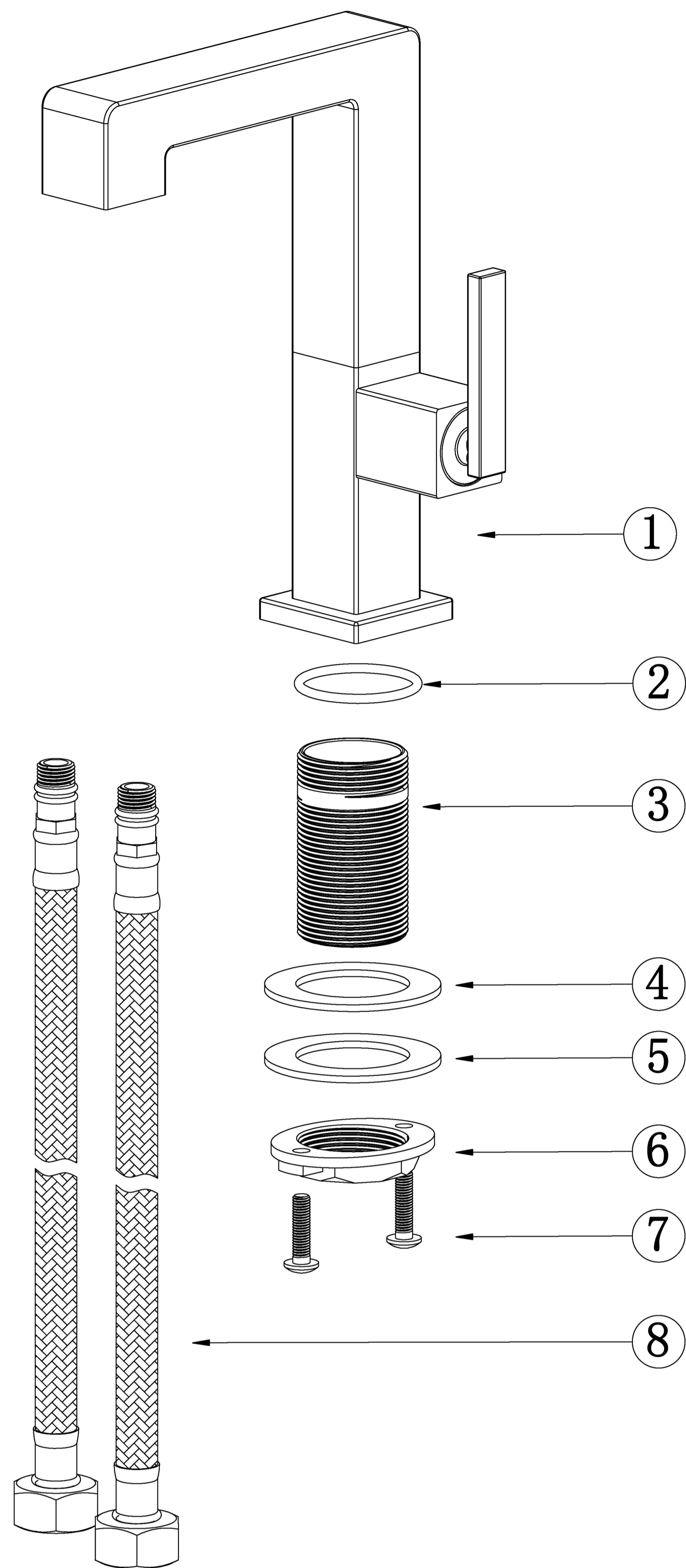
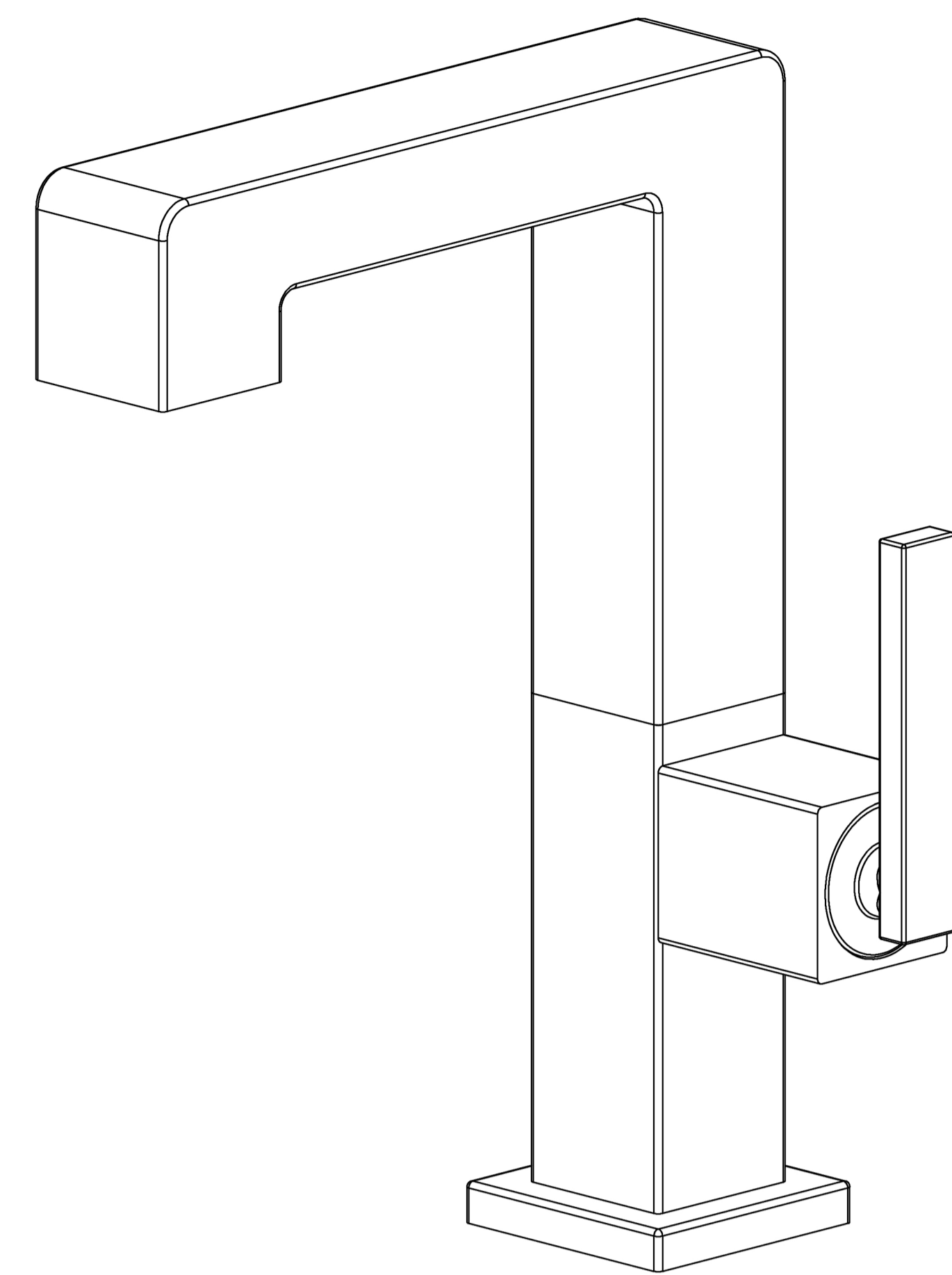


NO.	Item	Qty
1	Main body	1
2	O-ring	1
3	Tube	1
4	Rubber Gasket	1
5	Steel Gasket	1
6	Fixing Nut	1
7	Round head screws	2
8	Water inlet hose	2



BASIN MIXER INSTALLATION INSTRUCTIONS



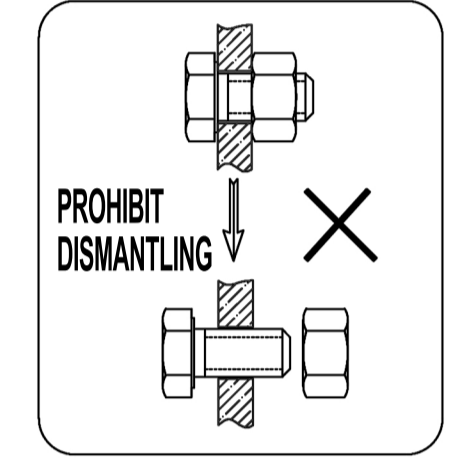
Check Accessories

Standard accessories list.

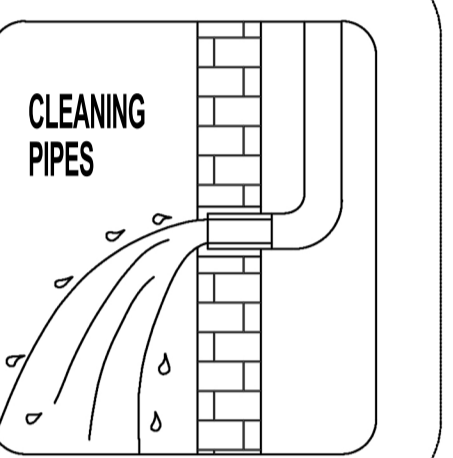
When you open the package of the product, please first count whether the physical object matches with the main body and accessories you purchased. If there is any discrepancy, please contact us or our distributor.

- Note:** 1. Without prejudice to the use of the case, accessories, if any changes, without prior notice;
2. The appearance of the product has been in kind shall prevail, the schematic diagram is for reference only.

This product has been tested and debugged by the factory to the best condition, please do not disassemble by yourself.



Before installing the faucet, please make sure to remove the debris and sludge in the water pipe, so as not to clog the faucet with debris, affecting the normal discharge of water.



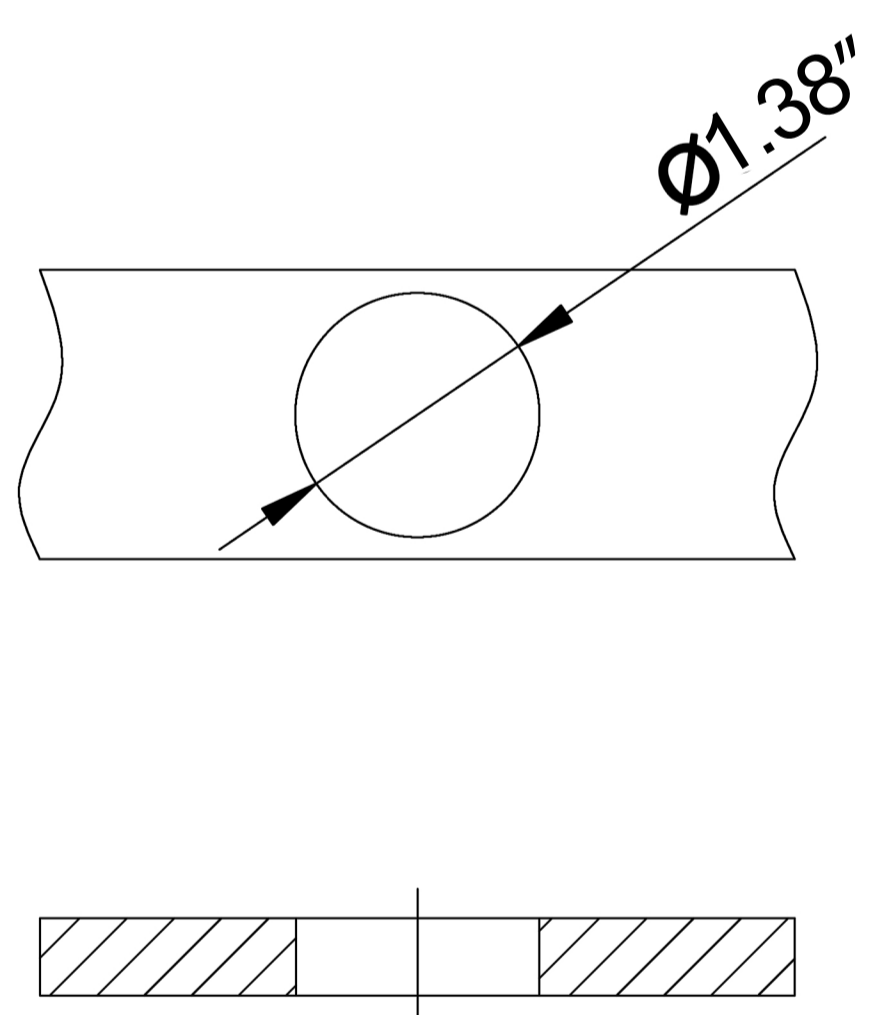
Cleaning

In order to keep the faucet appearance clean and shiny and good performance, please care for the faucet according to the following methods:

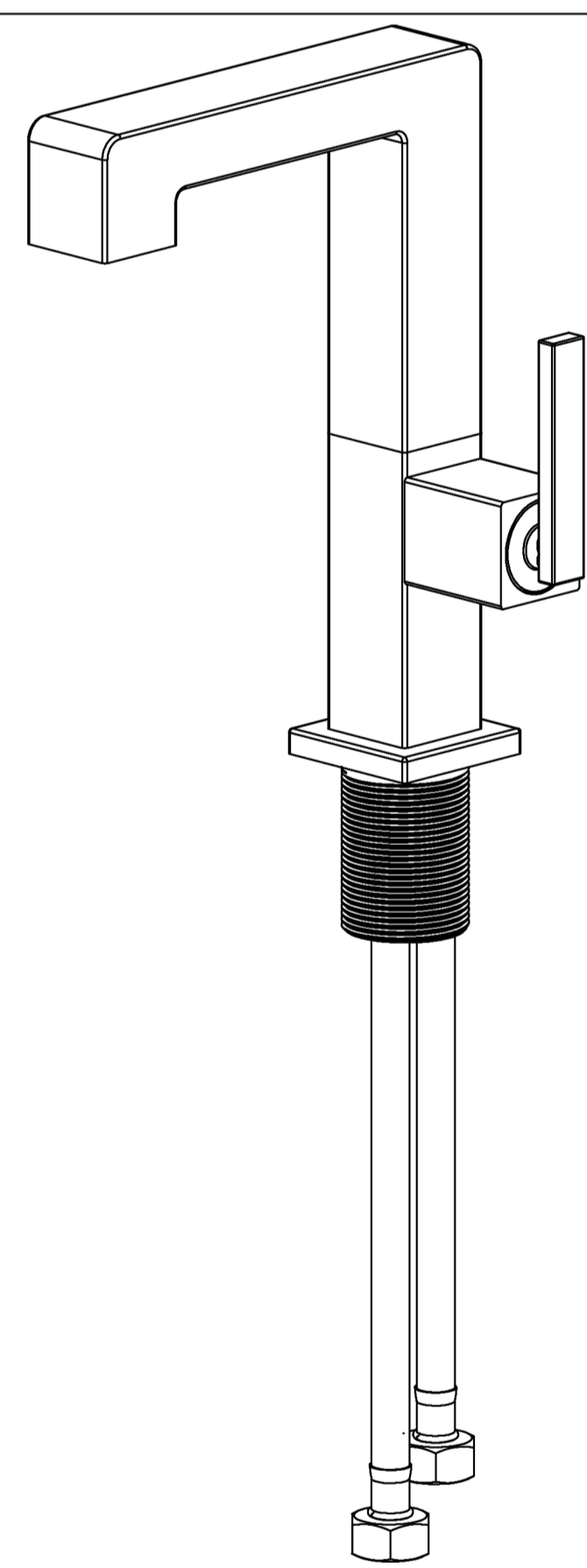
1. Rinse only with water and dry with a soft cotton cloth;
2. Use mild liquid and colourless glass cleaner to remove surface dirt and film, or use non-abrasive polish;
3. Do not use abrasive cleaners, polishes, emery cloths, paper towels or spatulas, etc.;
4. Do not use acidic detergents, insoluble granular detergents, soap, etc.
5. During use, the bubbler may accumulate dirt, making the water flow smaller and slower. Unscrew the bubbler and rinse it with water.



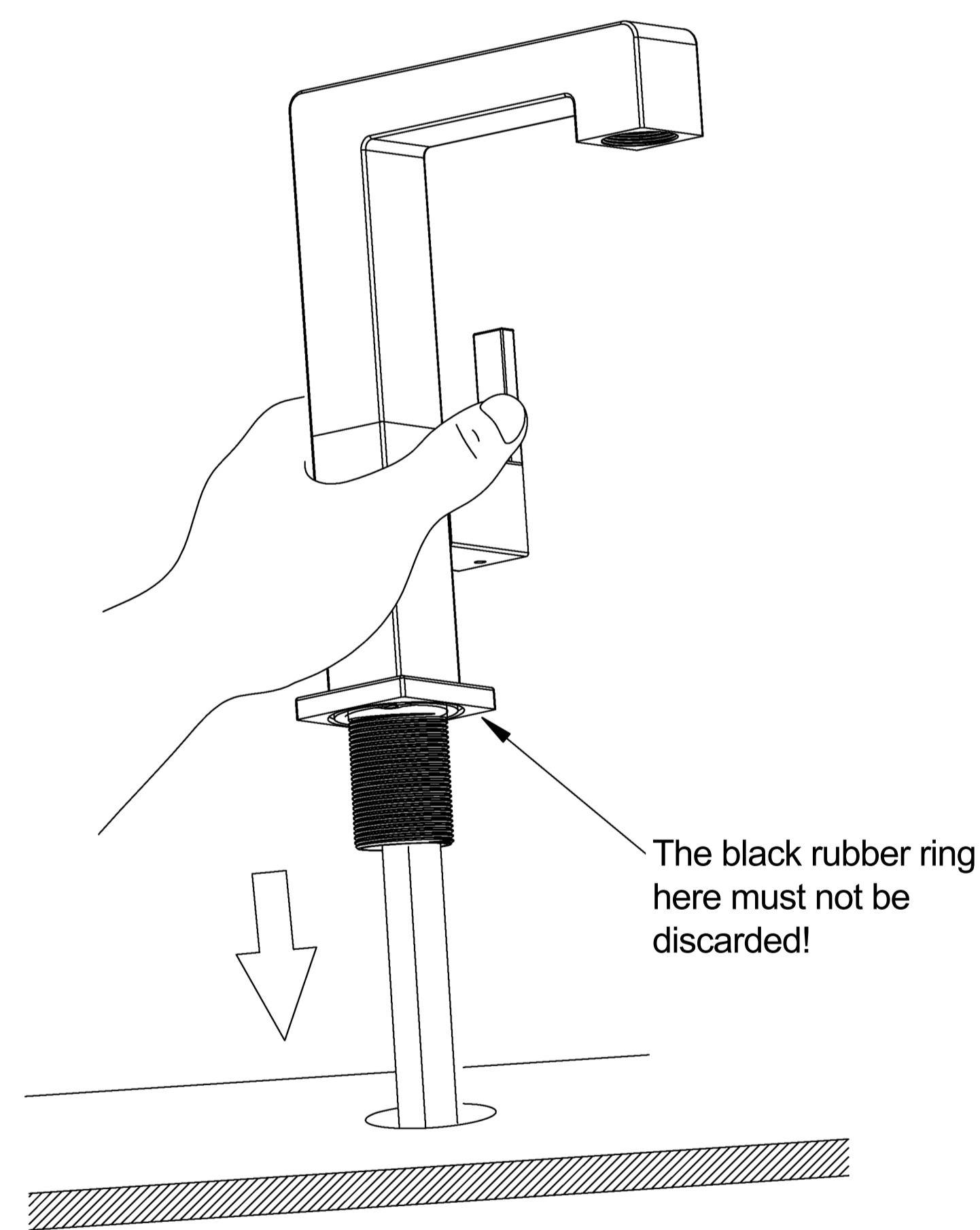
1. Confirm that there are mounting holes cut into the countertop.
Unit:inch



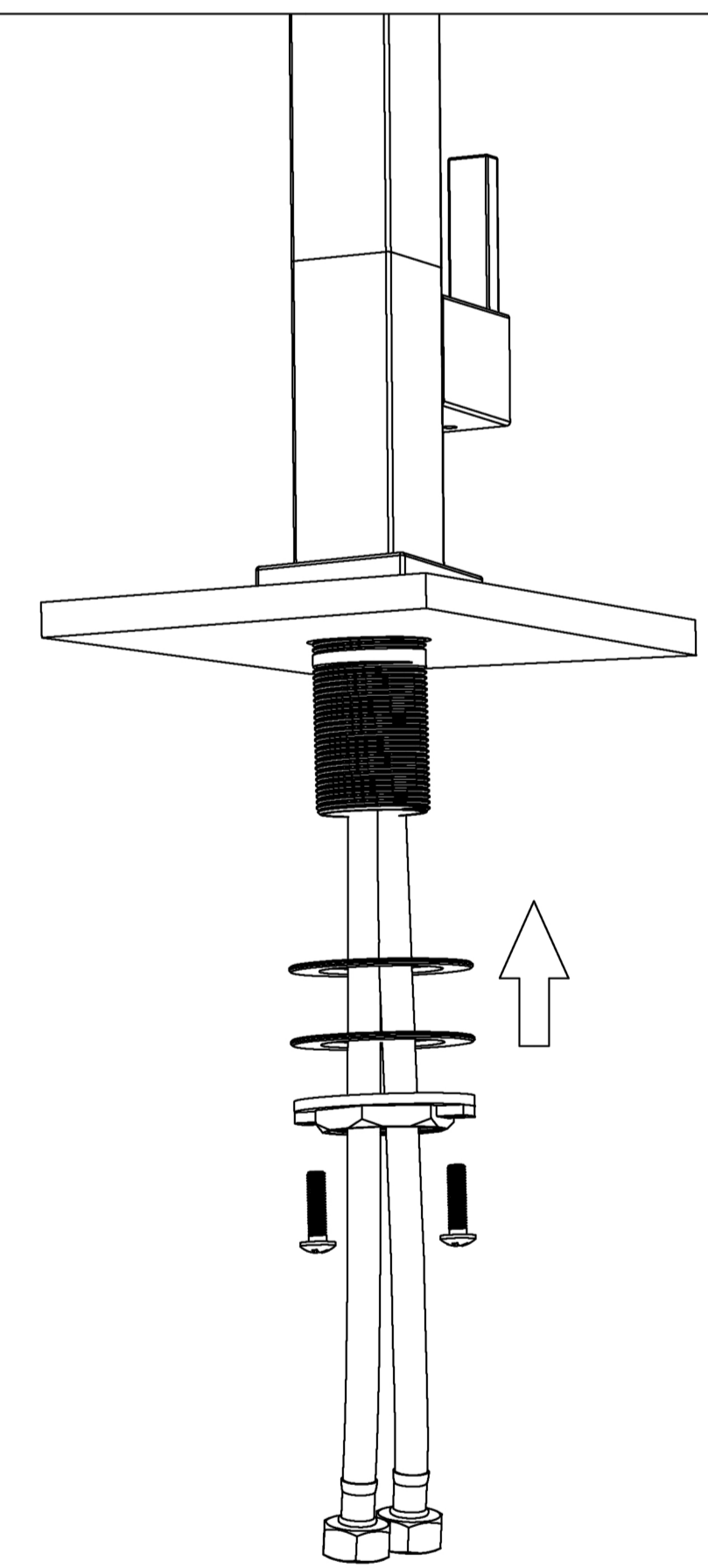
2. Open the package to take out the faucet, remove the nut and gasket



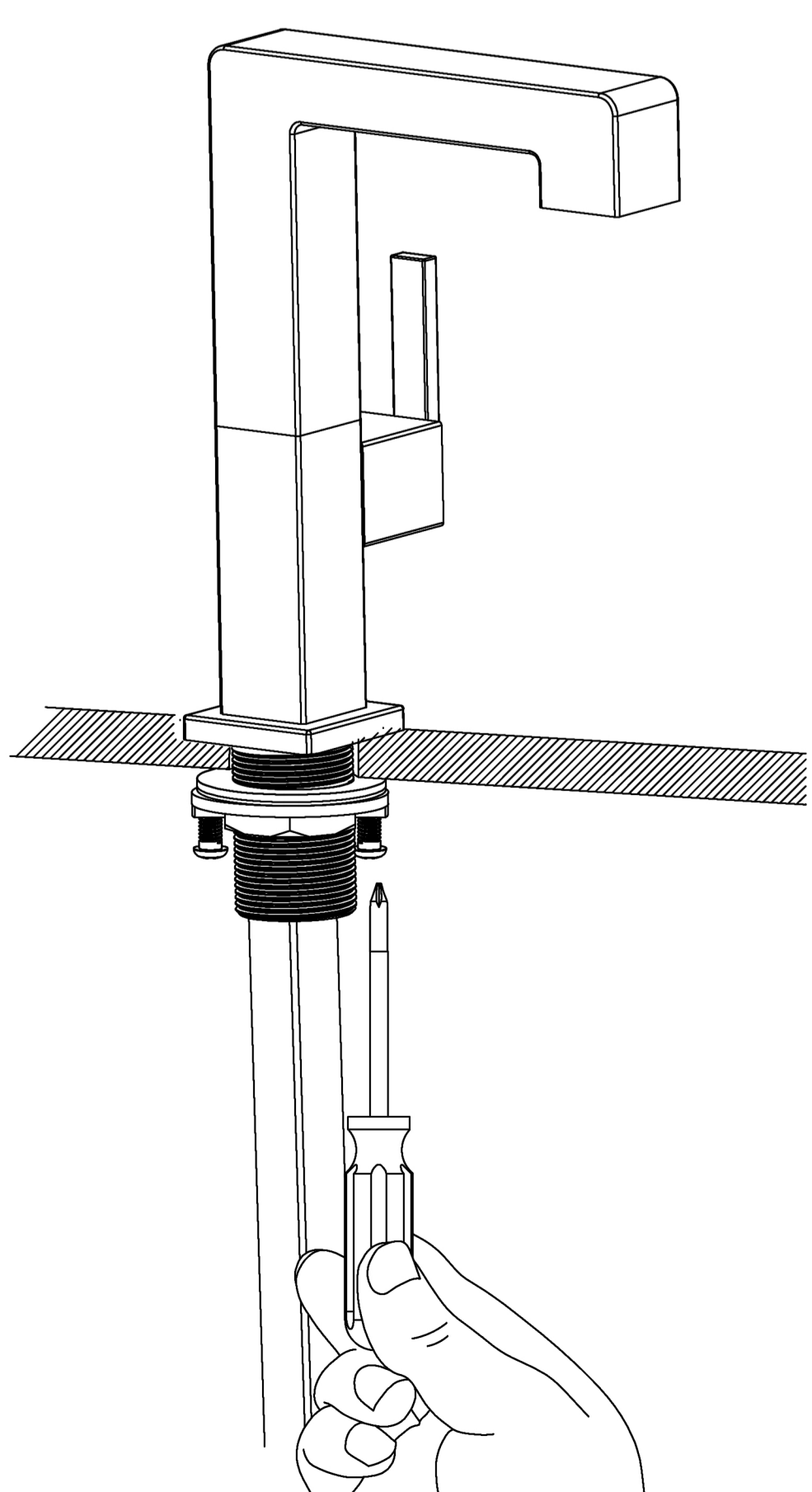
3. Pass the threaded hose through the mounting hole.



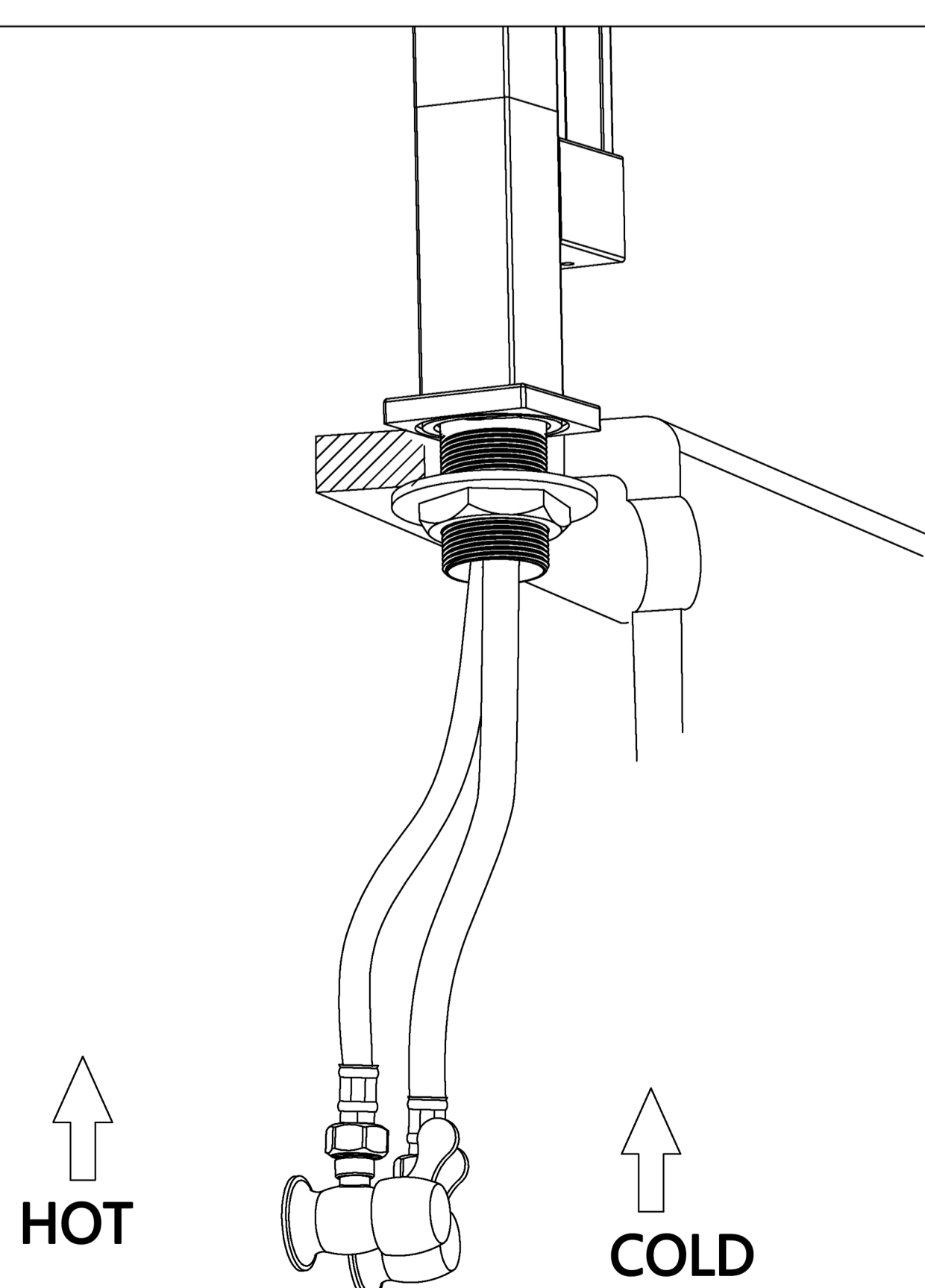
4. Tighten the hose and thread it through the spacer and nut.



5. Tighten the screws with a screwdriver.



6. Connect the hot and cold water angle valve can be.



7. Faucet size.

