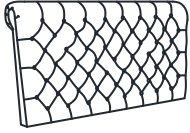


# ASSEMBLY INSTRUCTION

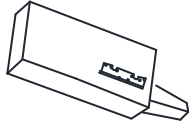
## FULL QUEEN AND KING HEADBOARD

**A** Headboard



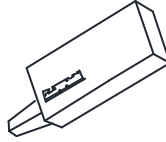
1pc

**B** Left Wooden Frame



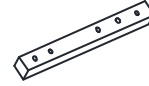
1pc

**C** Right Wooden Frame



1pc

**D** Slate



2pcs

**E** Bolt  
1/4" x 65mm



10pcs

**F** Flat Washer



10pcs

**G** Lock Washer

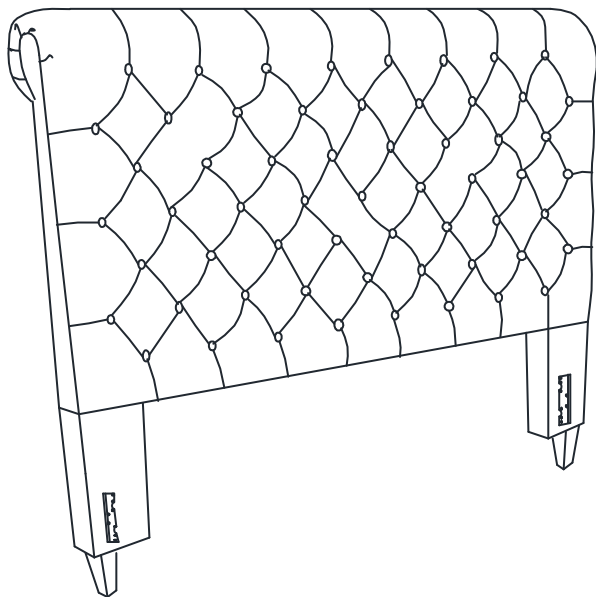


10pcs

**H** Allen Wrench



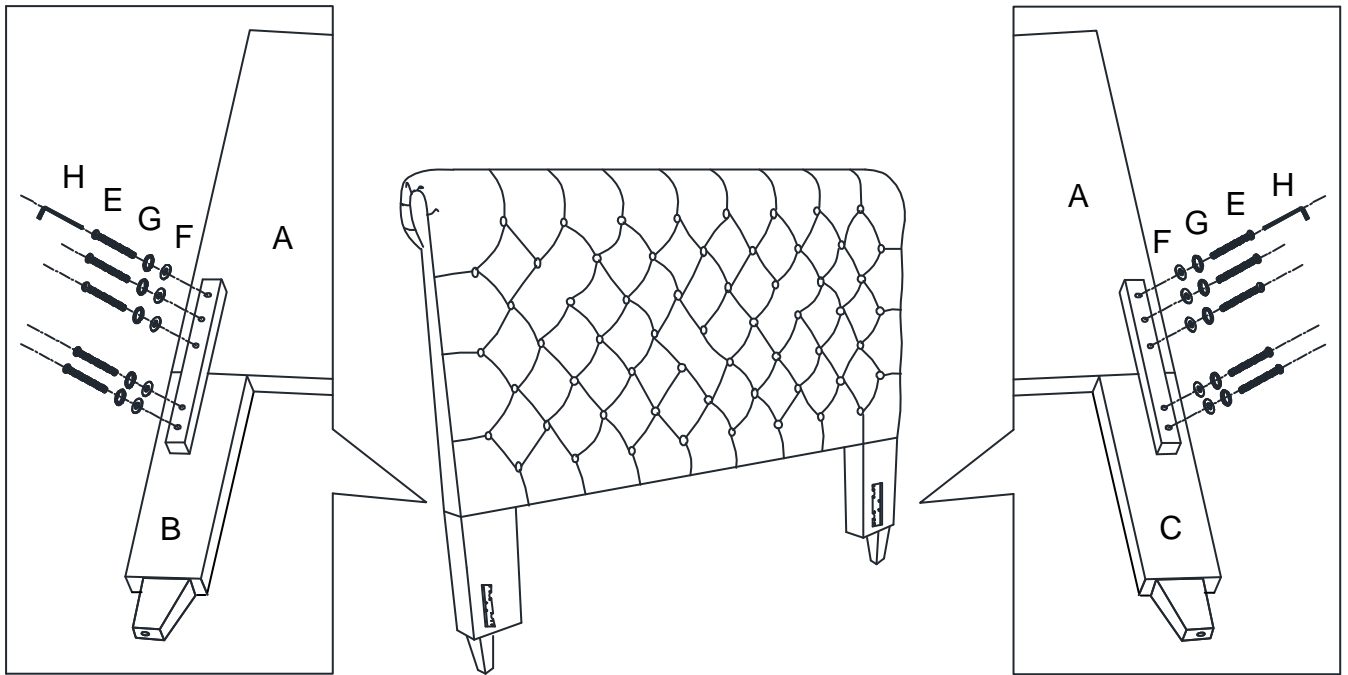
10pcs



This page lists all the contents included in the box. Please take the time to identify the hardware as well as the individual components to this product. As you unpack and prepare for assembly, place the contents on a carpeted or padded area to protect them from damage.

**1**

Attached left Wooden Frame (B) and right Wooden Frame (C) to the Headboard (A) use Bolt (E), Lock Washer (G) and Flat Washer (F) on holes of Slates (D). Turn the Allen Wrench (H) in Bolt (E).



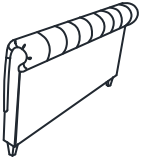
### Cleaning & Care

Treat surface with care. Surface is resistant to scratches but is not scratch resistant. Clean surfaces with a dry or damp soft cloth. Do not use abrasive cleaners. Hardware may loosen over time. Periodically check that all connections are tight.

# ASSEMBLY INSTRUCTION

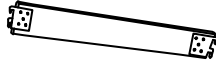
## QUEEN AND FULL BED WITH REGULAR SLATS

**A** Footboard



1pc

**B** Side Rails



2pcs

**C** Allen Wrench



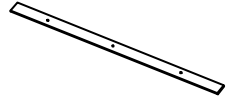
1pc

**D** Support Leg



6pcs

**E** Wooden Slat



3pcs

**F** Screw



12pcs

**G** Bolt  
1/4" x 50mm



6pcs

**H** Flat Washer

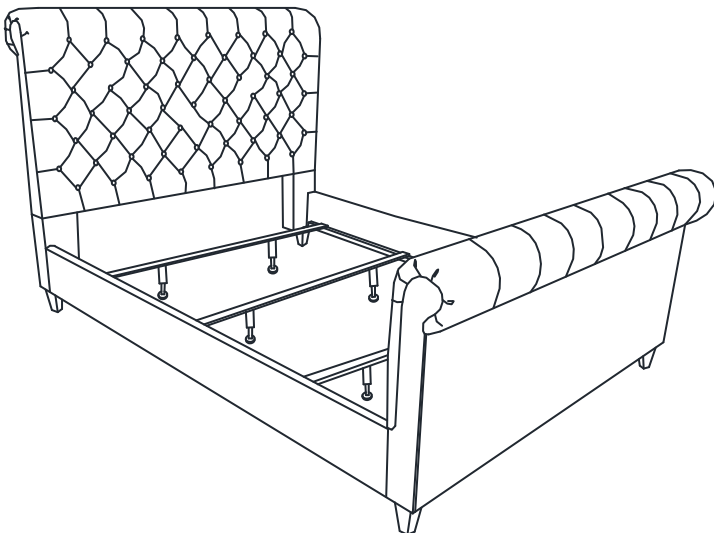


6pcs

**I** Lock Washer

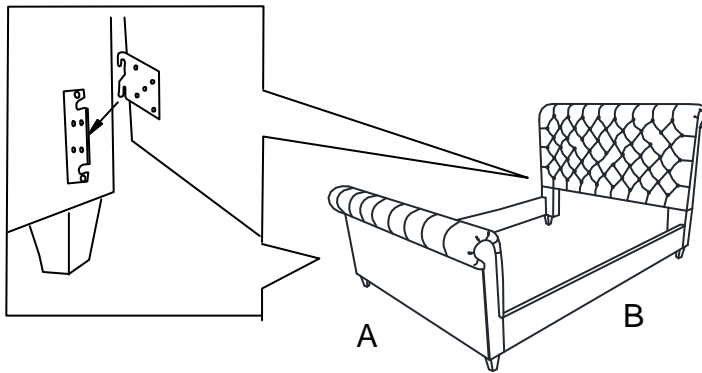


6pcs

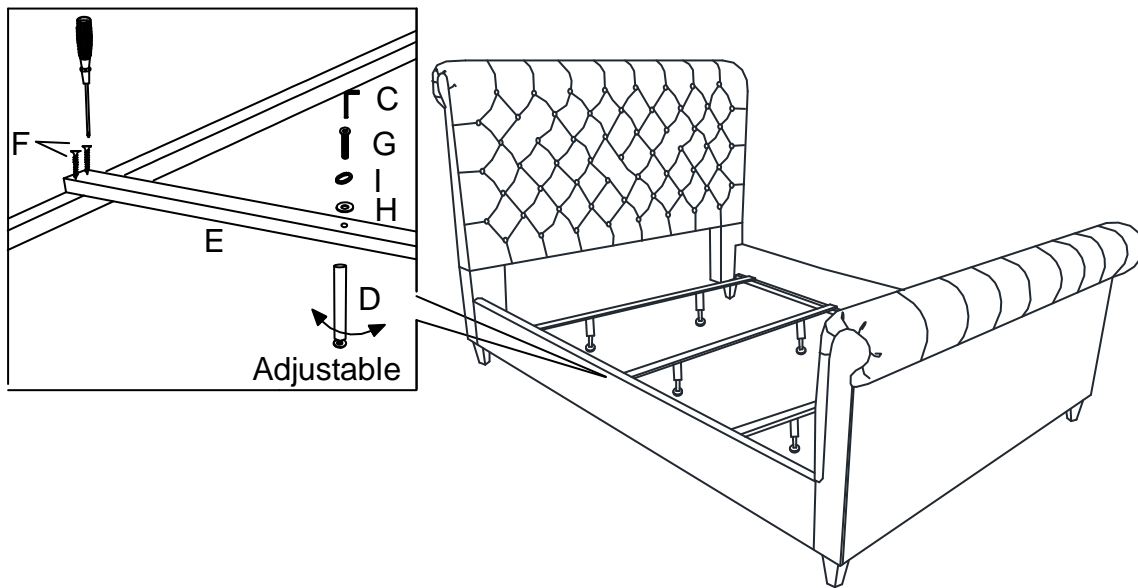


This page lists all the contents included in the box. Please take the time to identify the hardware as well as the individual components to this product. As you unpack and prepare for assembly, place the contents on a carpeted or padded area to protect them from damage.

**1** Attached Side Rail (B) to the Headboard and Footboard (A).



**2** Assembly Wooden Slats (E) and Support Leg (D) as showing.



**Cleaning & Care**

Treat surface with care. Surface is resistant to scratches but is not scratch resistant. Clean surfaces with a dry or damp soft cloth. Do not use abrasive cleaners. Hardware may loosen over time. Periodically check that all connections are tight.