

PLEASE NOTE: Check that you have received all components and hardware before assembling.

## Assembly Instructions



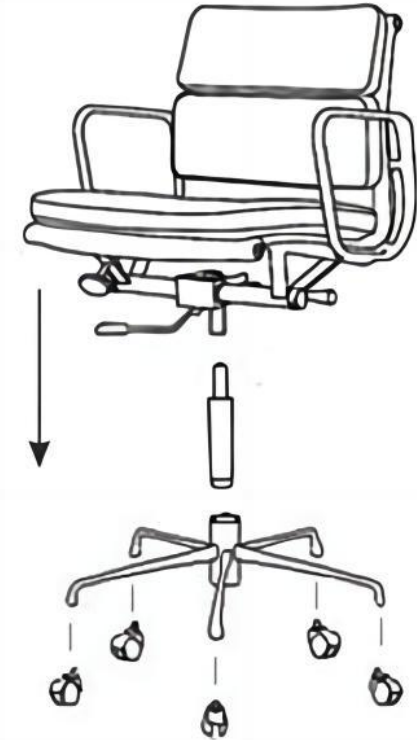
### 1. Chair Body & Mechanism



### 2. Gas Lift



Note: When inserting hydraulic cylinder into the base ensure tha it is firmly located. Don't use a hammer to secure gas lift



### 3. Base



### 4. Wheels



Press up the lever to adjust height ( up and down).