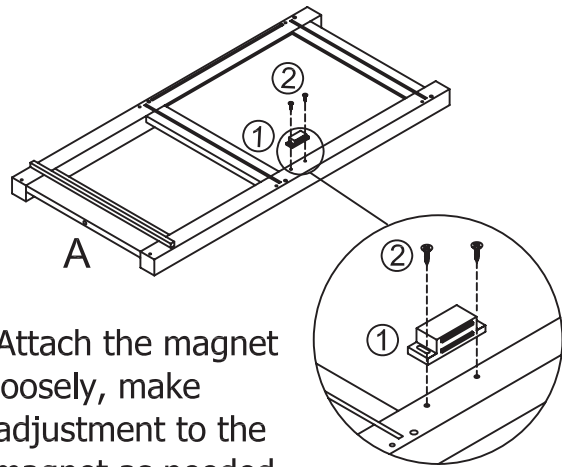


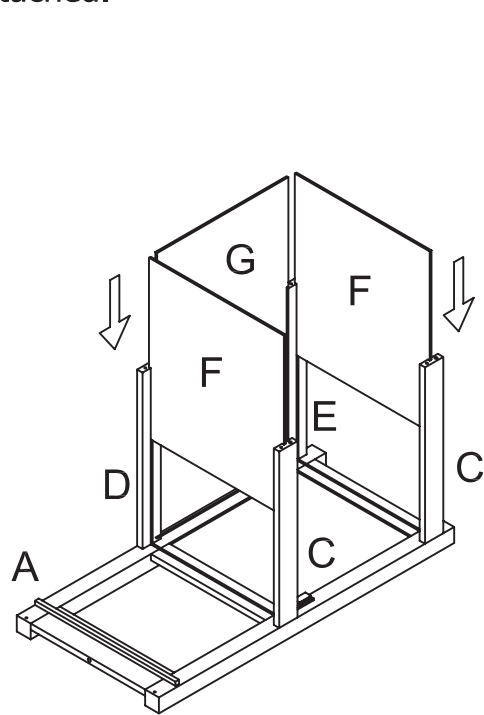
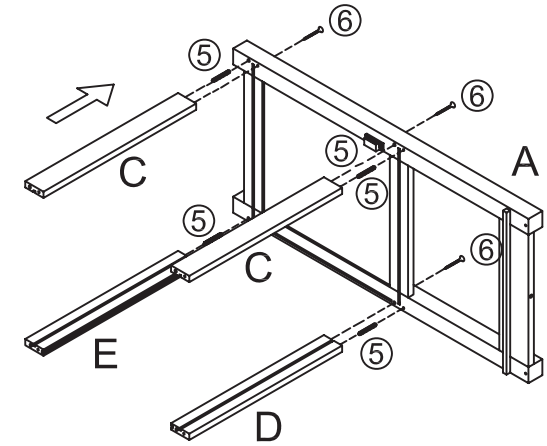
A	1pc	B	1pc	C	2pcs	D	1pc	E	1pc	F	2pcs		
G	1pc	H	1pc	I	2pcs	J	1pc	K	1pc	L	2pcs	M	1pc
①	1pc	②	2pcs	③	3pcs	④	20pcs	⑤	10pcs	⑯	12pcs	N	1pc
										 No.2 Phillips Screwdriver Tip Shown Actual size Screwdriver not included		 Skip the power trip. This time.	
⑥	12pcs	⑦	2pcs	⑧	2pcs	⑨	4pcs	⑩	1pc				
⑪	2pcs	⑫	1pc	⑬	2pcs	⑭	4pcs	⑮	8pcs				

01

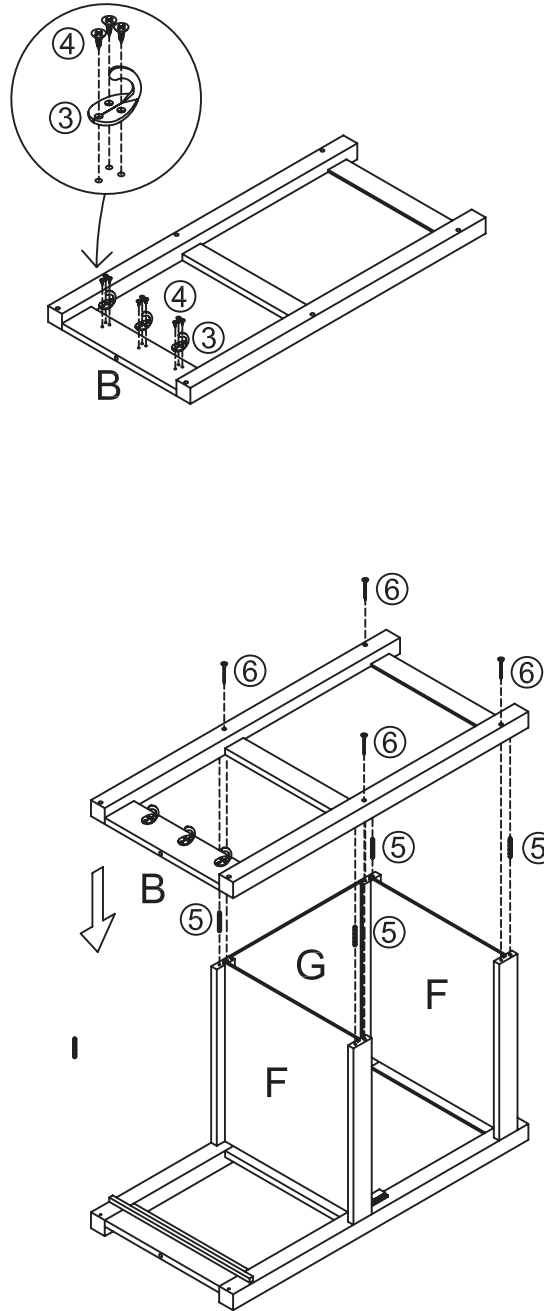


Attach the magnet loosely, make adjustment to the magnet as needed after the doors attached.

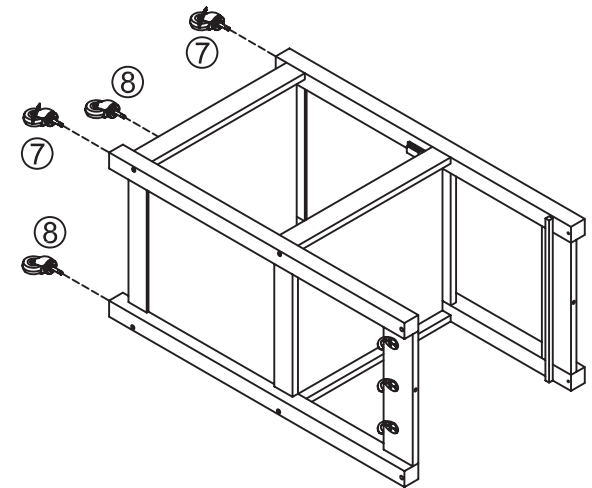
02



03

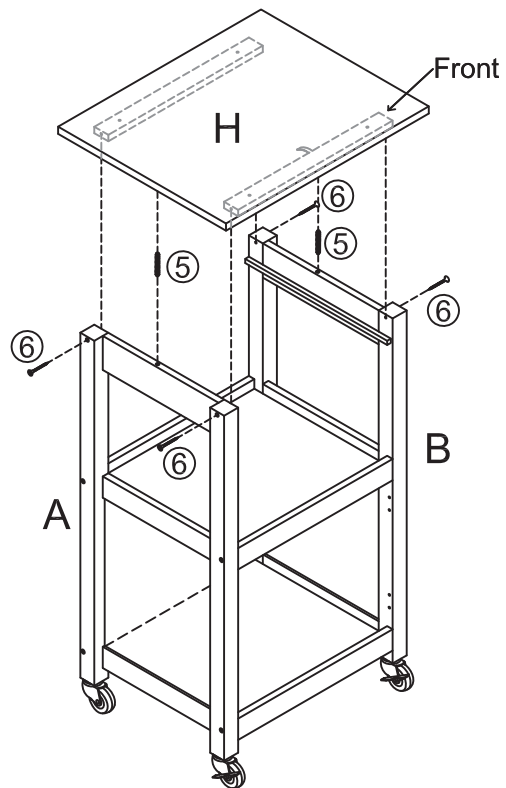
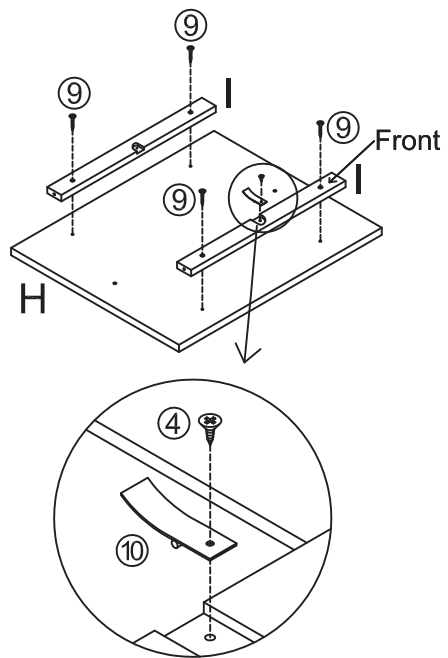


04

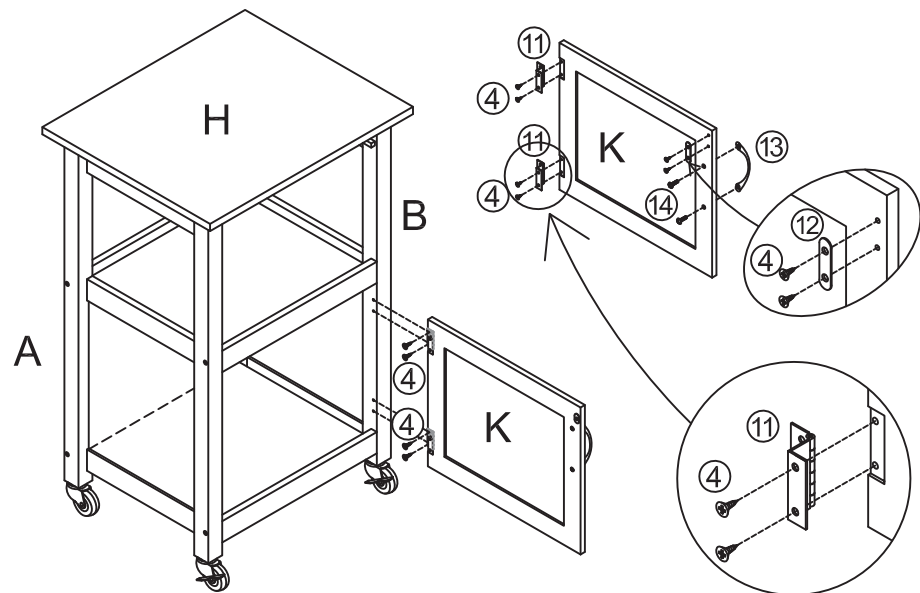


05

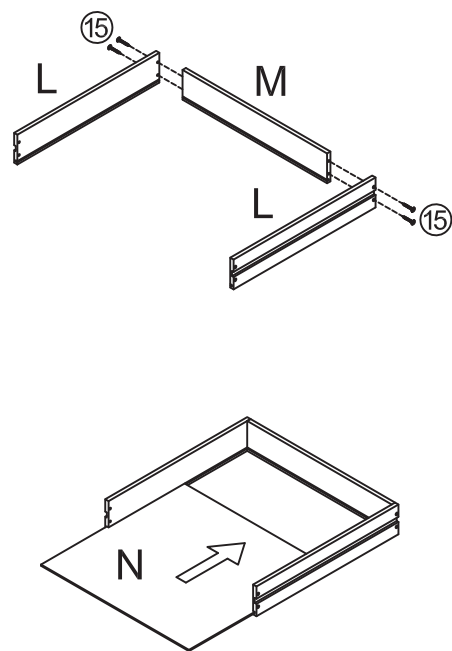
06



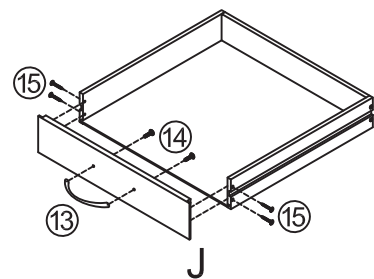
07



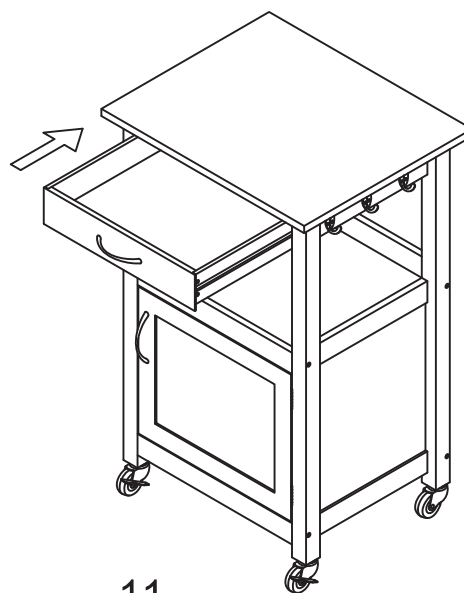
08



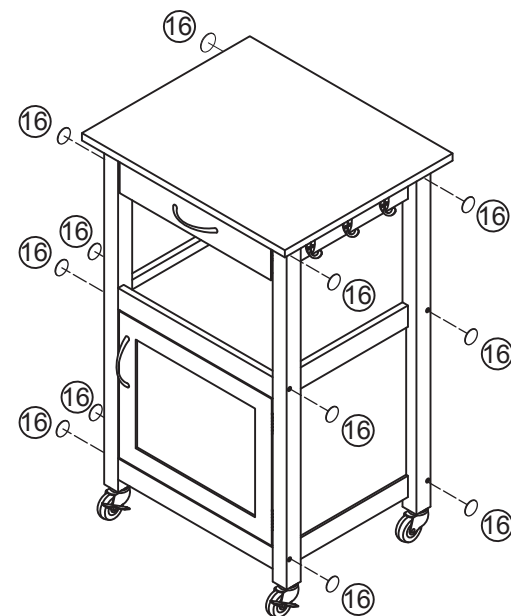
09



10



11



12 The stickers to cover the screw holes as an option.