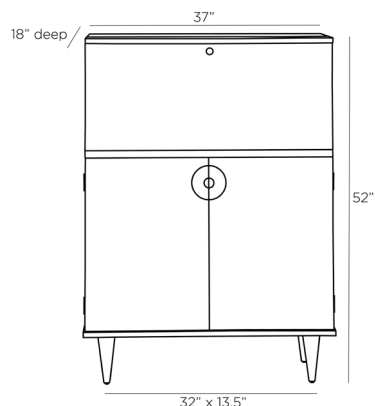


ARTERIOS

MANHATTAN COCKTAIL CABINET



5688
H: 52 IN, W: 37 IN, D: 18 IN
Toffee Burl
Contract Suitable As Is

Modern classicism is realized in the fine furniture piece we call the Manhattan. This bar cabinet is crafted of matchbook burl wood in a toffee finish with a camelina crotch veneer application to provide a radial pattern that spans the surface, creating a movement of tones and textures. Vintage brass pull unveils a wine bottle and glass storage on the left and a soft-magnetic closure drawer with storage below on the right. The top is fitted with a key lock that opens up to a lined shelf and a black glass

APPEARANCE

Material	Brass, Camelina Veneer
Finish	Toffee Burl, Vintage Brass
Finish Will Vary	true
Top Coat/Sealant	true
Adjustable Shelf Count	2
Drawer Count	1

DIMENSIONS

	16.5
Foot Print	W: 32 IN, D: 13.5 IN
Drawer Interior	H: 2.5 IN, W: 15.5 IN, D: 13.5 IN
Leg	H: 8 IN
Shelf	W: 17 IN, D: 16 IN
Clearance	7.5"
Diagonal Dimension	55 IN
Shelf Clearance	2"-8"

SHIPPING

Shipping Requirements	TruckShip
Product Weight	150 LBS
Gross Weight 1	175 LBS
Shipping Box 1	H: 40.16 IN, L: 22.05 IN, W: 54.53 IN

ADDITIONAL INFO

Features	Anti-Tip Kit Included
Swatch Number	TBWSW

CONTRACT

Contract Suitable	true
-------------------	------