

# WARNING!!

Children have died from furniture tipovers. Tip restraints have been included with this product; you must install the tip restraints according to these instructions in order to minimize the risk of furniture tipping. If you have any questions about this product or the tip restraint,

NEVER allow children to climb or hang on furniture, including drawers or cabinet doors.

In addition to installing the restrains, to help prevent tipovers

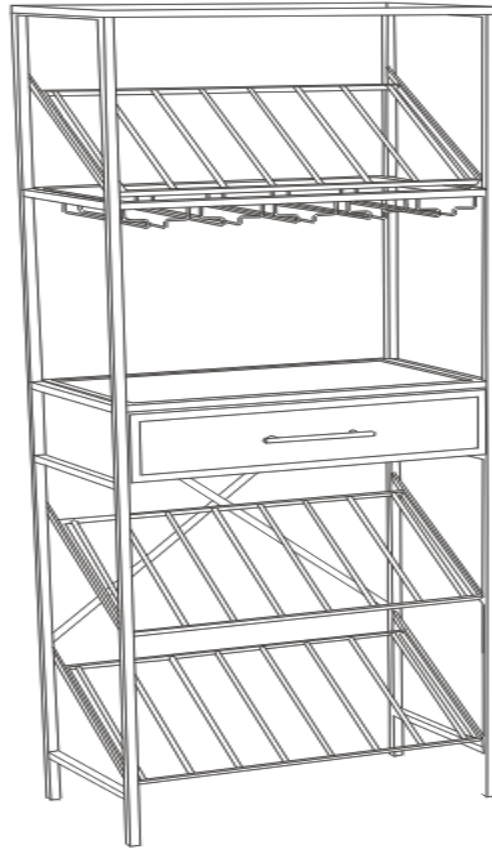
1. **NEVER** put a **TV** or other heavy objects on top of this product".
2. Do not stand on the products.

 <b>WARNING</b>	
	<p>Children have died from furniture tipover. To reduce the risk of furniture tipover:</p> <ul style="list-style-type: none"><li>• ALWAYS install tipover restraint provided.</li><li>• NEVER put a TV on this product.</li><li>• NEVER allow children to stand, climb or hang on drawers, doors or shelves.</li><li>• NEVER open more than one drawer at a time.</li><li>• Place heaviest items in the lowest drawers.</li><li>• Do not defeat or remove the drawer interlock system.</li></ul>
	<p><i>This is a permanent label. Do not remove!</i></p>


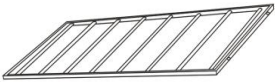
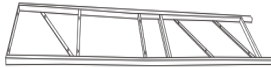
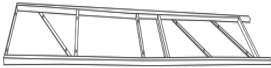
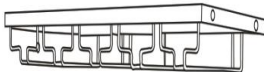

# Assembly Instructions

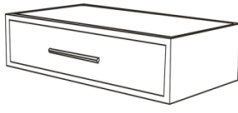
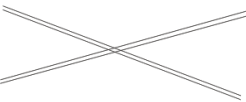
**Caution : You must read this before you proceed**

## WINE RACK

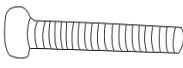






### Parts List

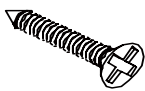

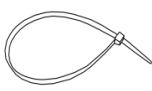
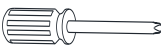
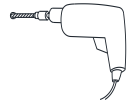


Label	Picture	Description	QTY
A		Top Panel with Metal Frame	1
B		Wine Rack	3
C		Left Side Frame	1
D		Right Side Frame	1
E		Wine Glass Holder	1
F		Middle Panel with Metal Frame	1

G		Wooden Drawer	1
H		Metal Back Support	1

## Hardware

Label	Picture	Description	QTY
①		Bolt (M6X30mm)	9
②		Bolt (M6X16mm)	21
③		Nut	13
④		Allen Wrench	1
⑤		Wrench	1

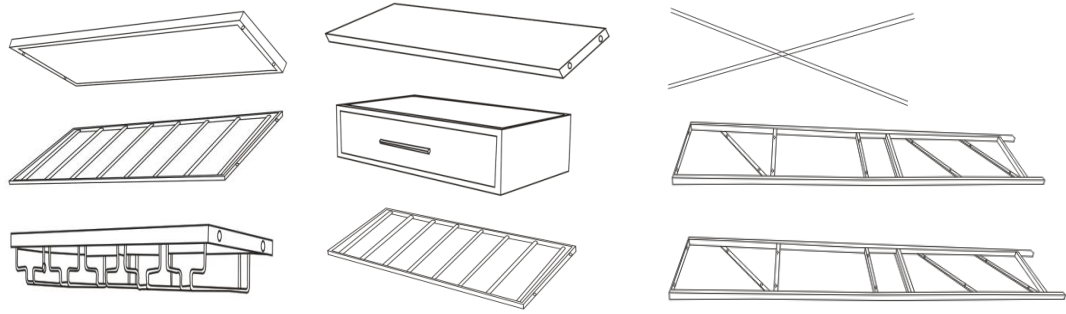
## Restraint Device Hardware

⑥		Screw (50mm Self Tapping)	2
⑦		L-shape Metal Bracket	2
⑧		Restraint Strap	2
⑨		Screwdriver (Not provided)	1
⑩		Power Drill (Not provided)	1
⑪		Hammer (Not provided)	1
⑫		Plastic Anchor	2



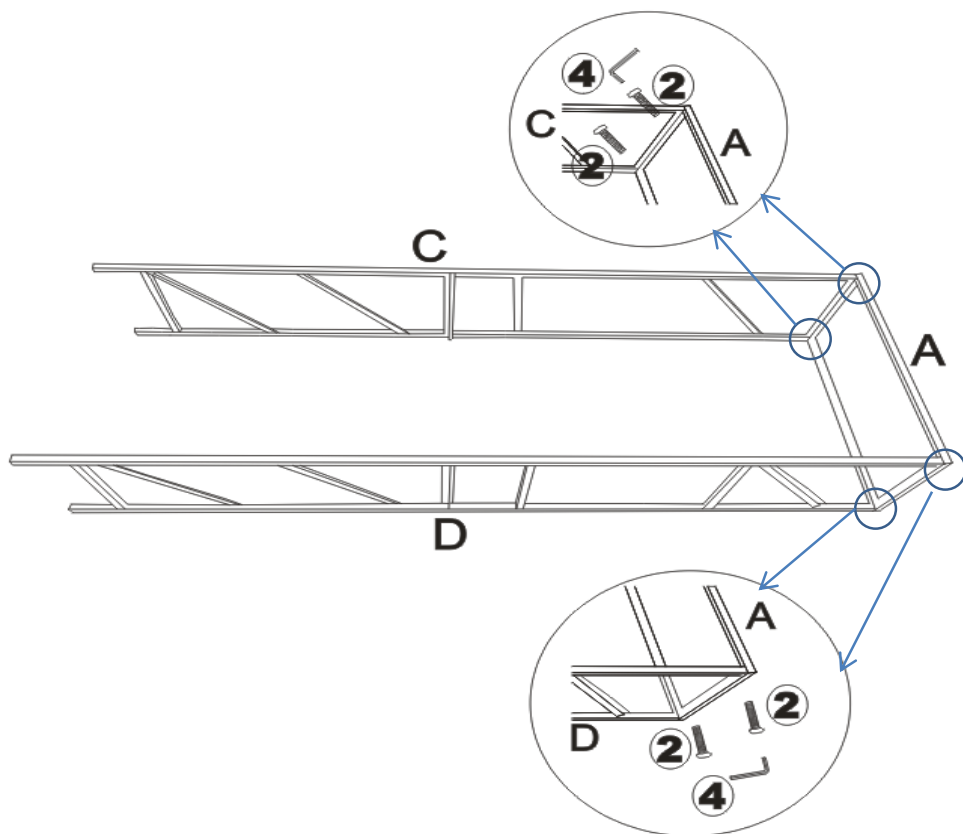
This Wine Rack has multiple parts and may require up to 30 minutes to assemble. To give you an overview of the Wine Rack parts, the above picture is to help you put the various parts into perspective. Please read through the instructions here below to familiarise the parts and steps before assembly.

### Step 1



Unpack and place all parts on a clean, non-marring surface.

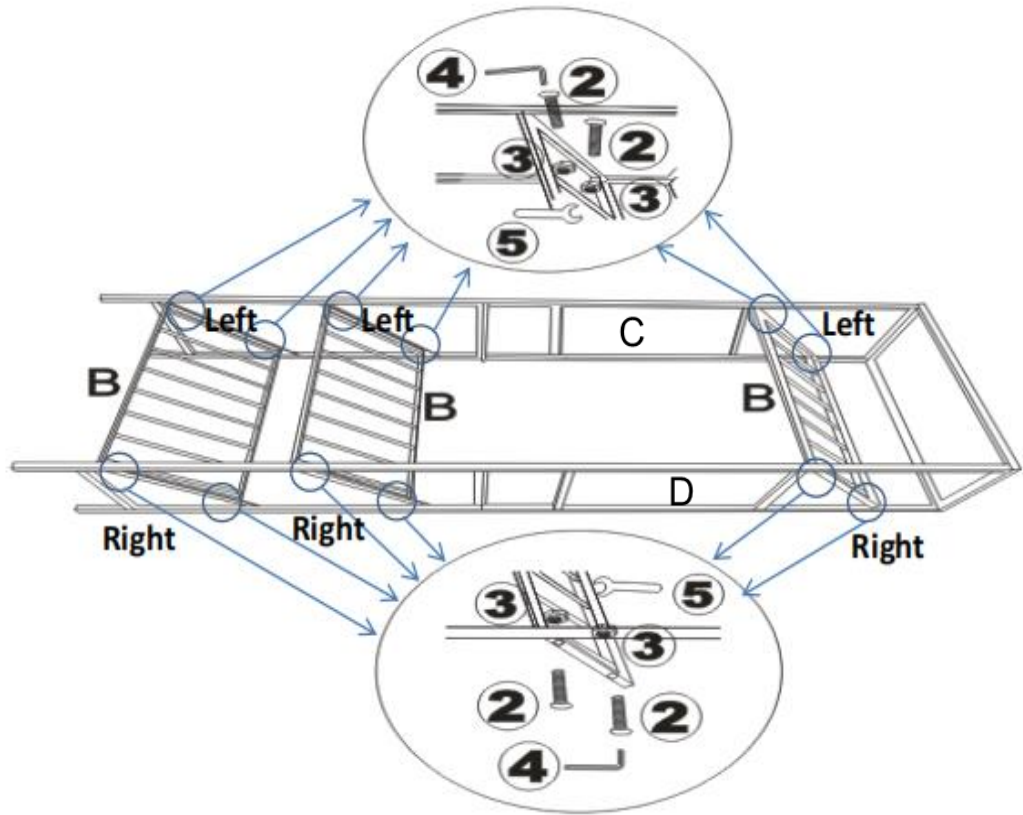
### Step 2



Align the mountings on the Left Side Frame(C) and the Right Side Frame(D) to the Top Panel with the Metal Frame(A) as shown above, then attach using the Bolts(②) with the Allen Wrench(④).

**Do not fully tighten the Bolts.**

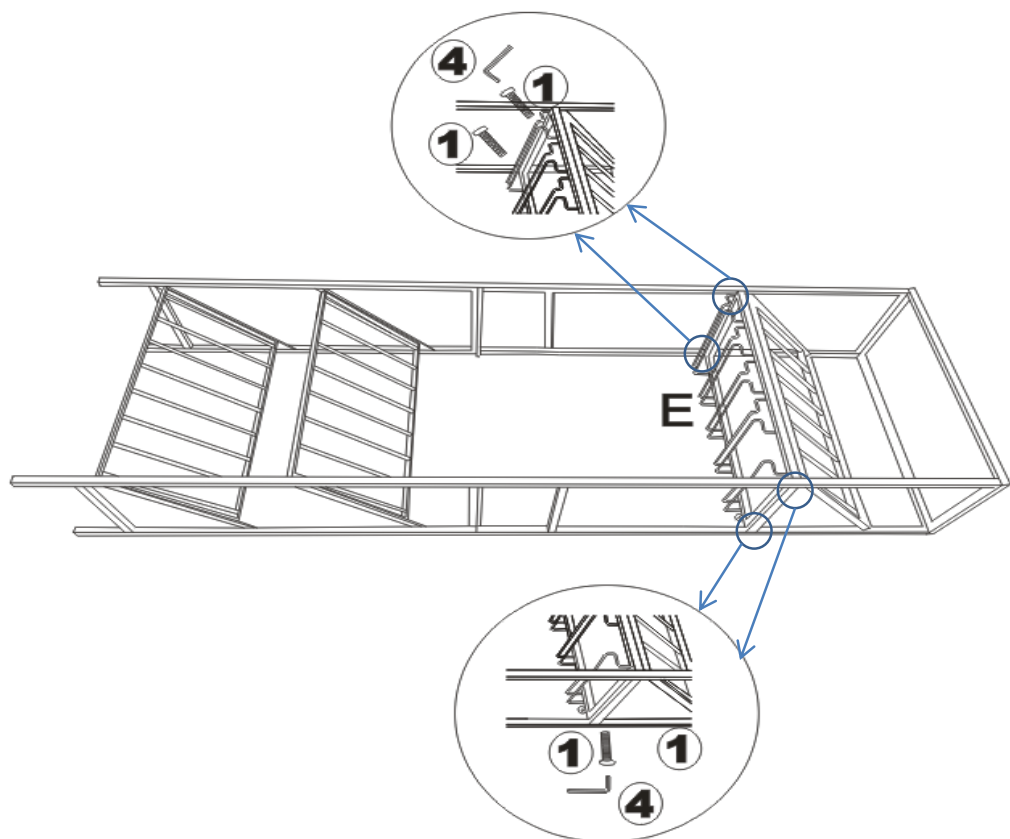
### Step 3



Then fix the Wine Rack(B) to the Left Side Frame(C) and Right Side Frame(D) as shown above, using the Bolts(②) and Nuts(③) with the Allen Wrench(④) and the Wrench(⑤).

**Pay attention to attach the side marked "Left" to the Left Side Frame(C) and attach the side marked "Right" to the Metal Bracket(D).  
Do not fully tighten the Bolts.**

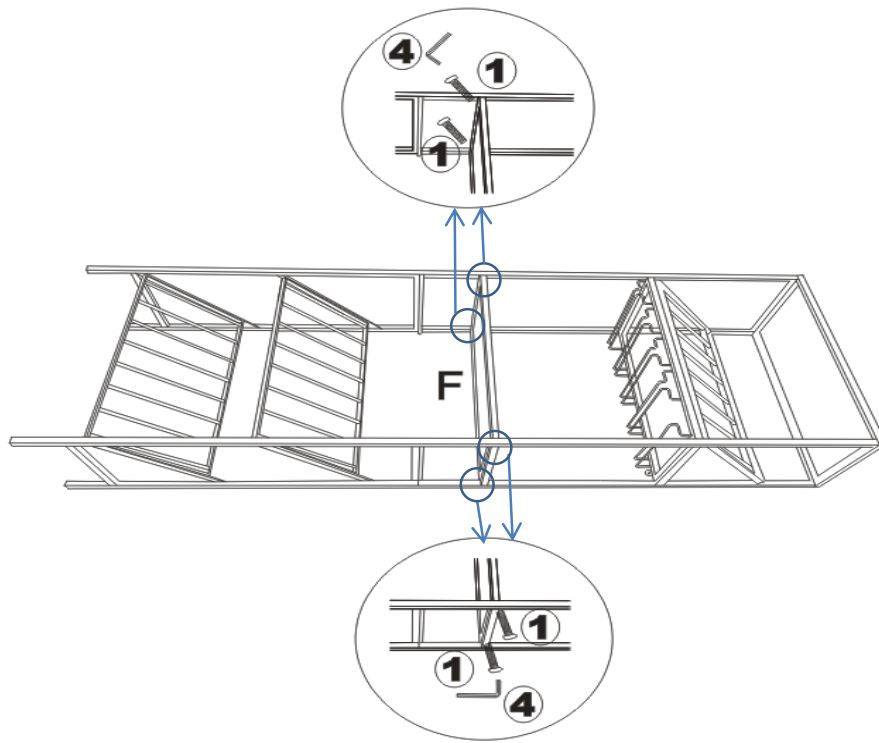
### Step 4



Then affix the Wine Glass Holder(E) to the Left Side Frame(C) and Right Side Frame(D) as shown above, using the Bolts(①) with the Allen Wrench(④).

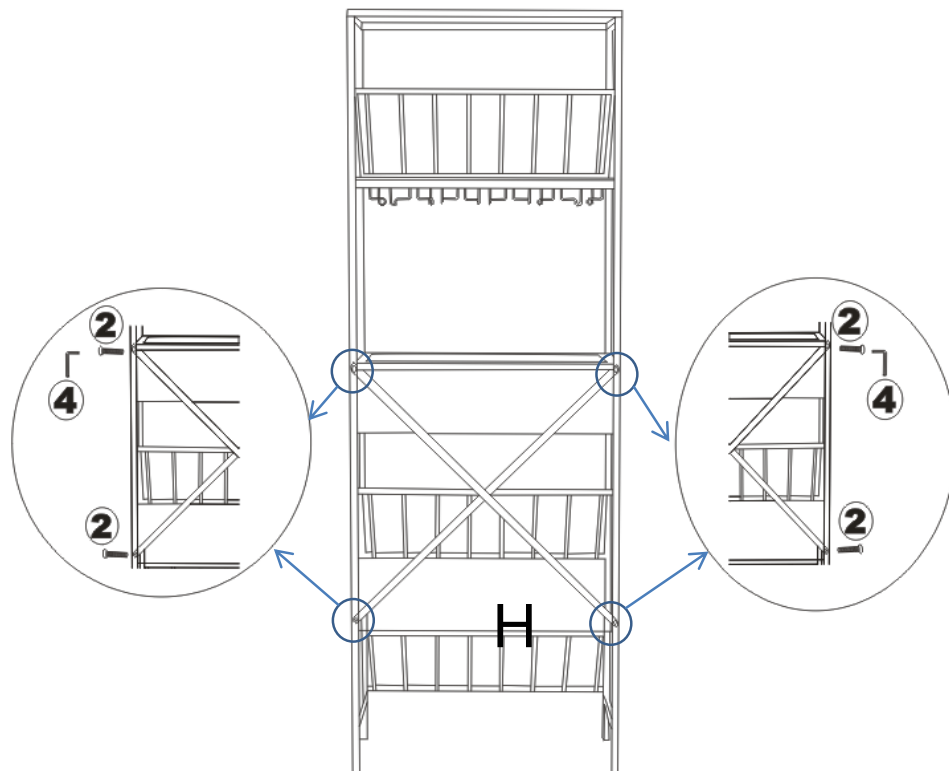
**Do not fully tighten the Bolts.**

**Step 5**



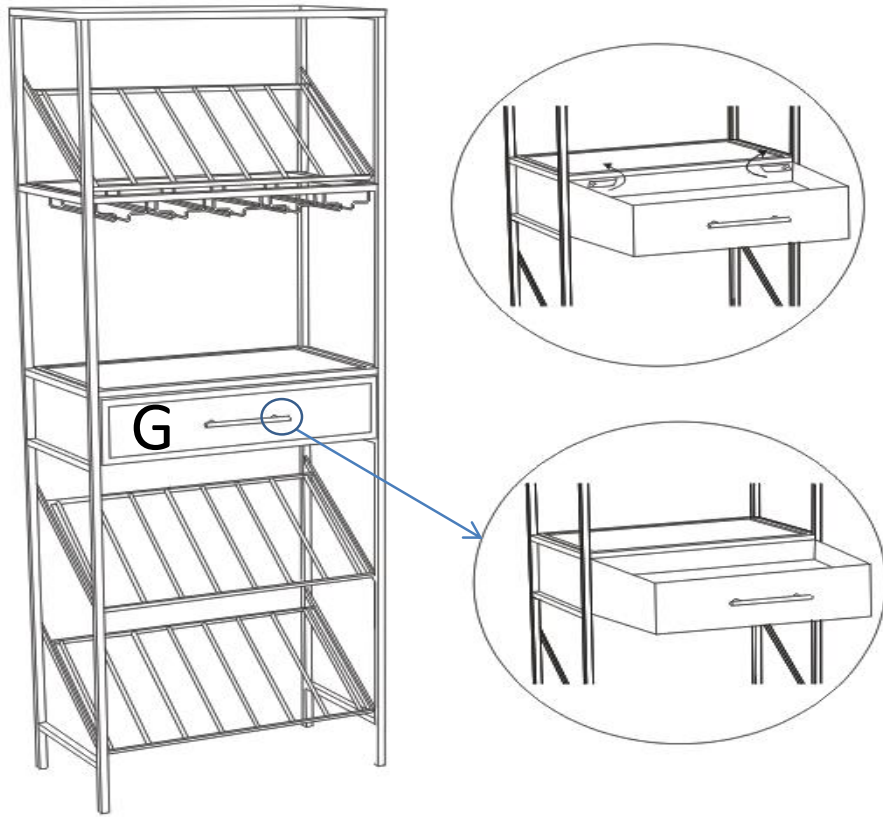
Then affix the Middle Panel with the Metal Frame(F) to the Left Side Frame(C) and Right Side Frame(D) as shown above, using the Bolts(①) with the Allen Wrench(④).  
**Do not fully tighten the Bolts.**

**Step 6**



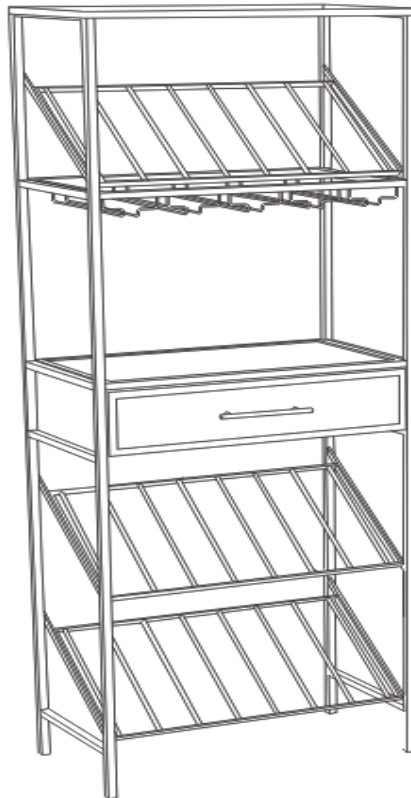
Attach the Metal Back Support(H) to the back of the rack, using the Bolts(②) with the Allen Wrench(④).  
**Tighten all the Bolts fully in a sequential manner.**

### Step 7



Then insert the Wooden Drawer(G)as shown above;rotate the stopper to be vertical,to avoid the drawer from falling down.

### Step 8



Turn the WINE RACK right side up.  
Your WINE RACK is ready for use.

**Caution:**This WINE RACK can only be used on a flat, level surface.

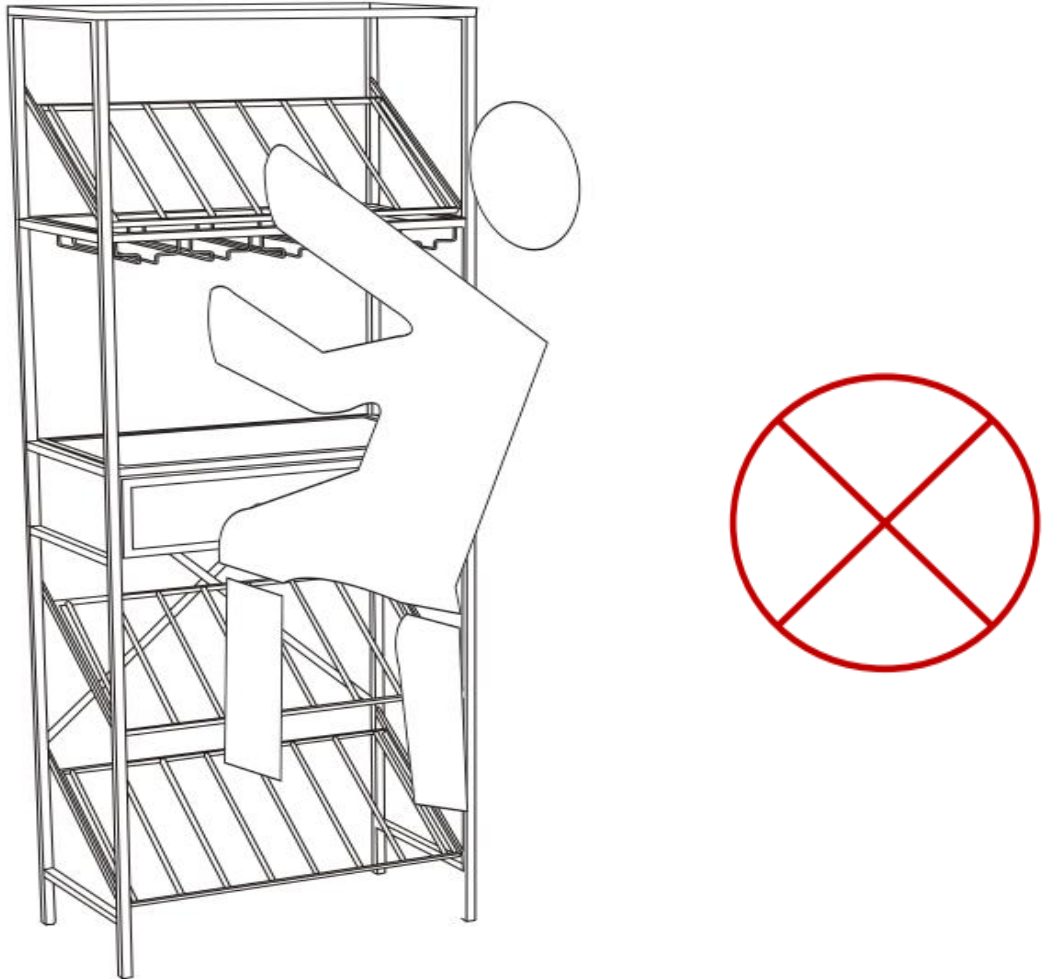
## Tipover Restraint Device Installation Instruction

### **WARNING**

Serious or fatal crushing injuries can occur from tipping furniture.

**To help prevent tip-over: ALWAYS secure this furniture to the wall using the Restraint Device.**

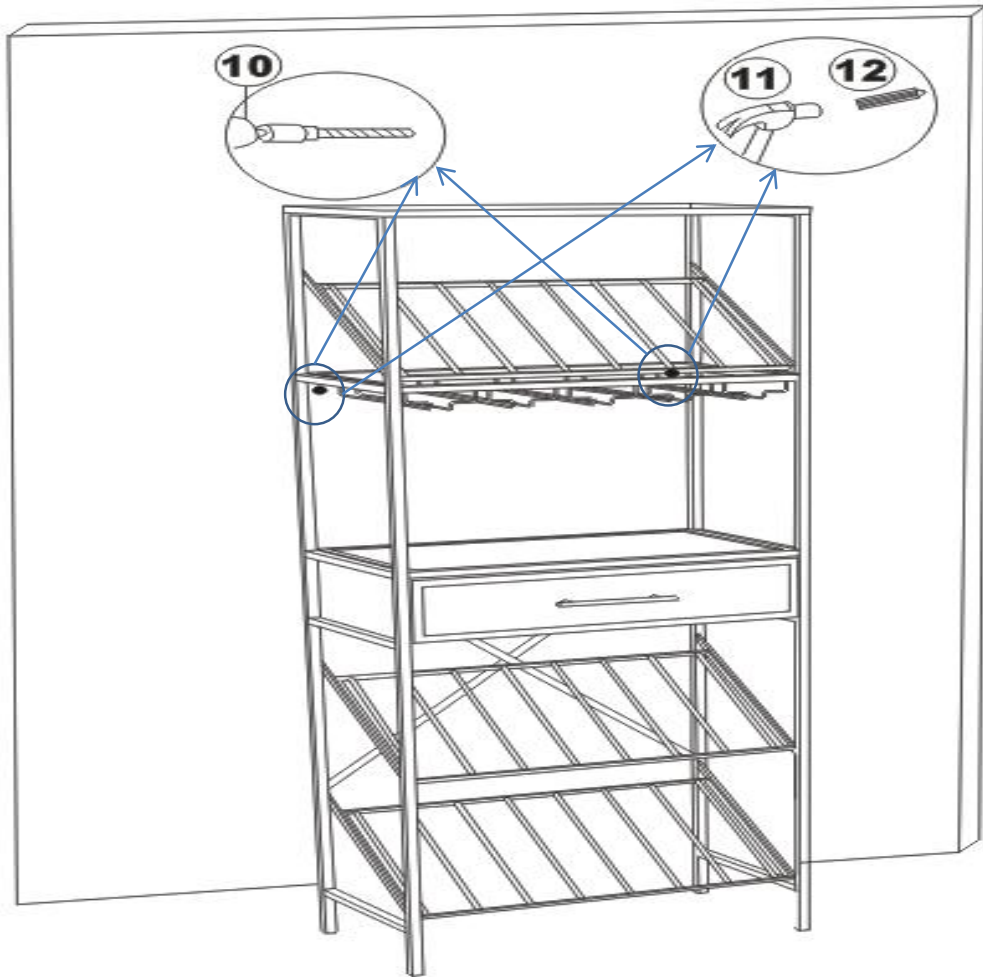
See product instructions for more ways to help prevent furniture tip-over.



#### **Usage For Rack Restraint Device:**

To secure the WINE RACK against wall, attach the 1pc L-shape Metal Bracket(⑦) on the wall, use the Restraint Straps(⑧) to connect the L-shape Metal Bracket(⑦) and the Ring on the back of the WINE RACK.

## Step 1



1.1) Drill two holes on the wall at same height as the Ring on the back of the rack using the Power Drill(⑩)

**(Caution: The distance from Brackets to ground should be 55")**

**You can mark this point in two ways as below:**

1) Move the WINE RACK back to the wall. Mark a point on the wall at the same height as the WINE RACK.

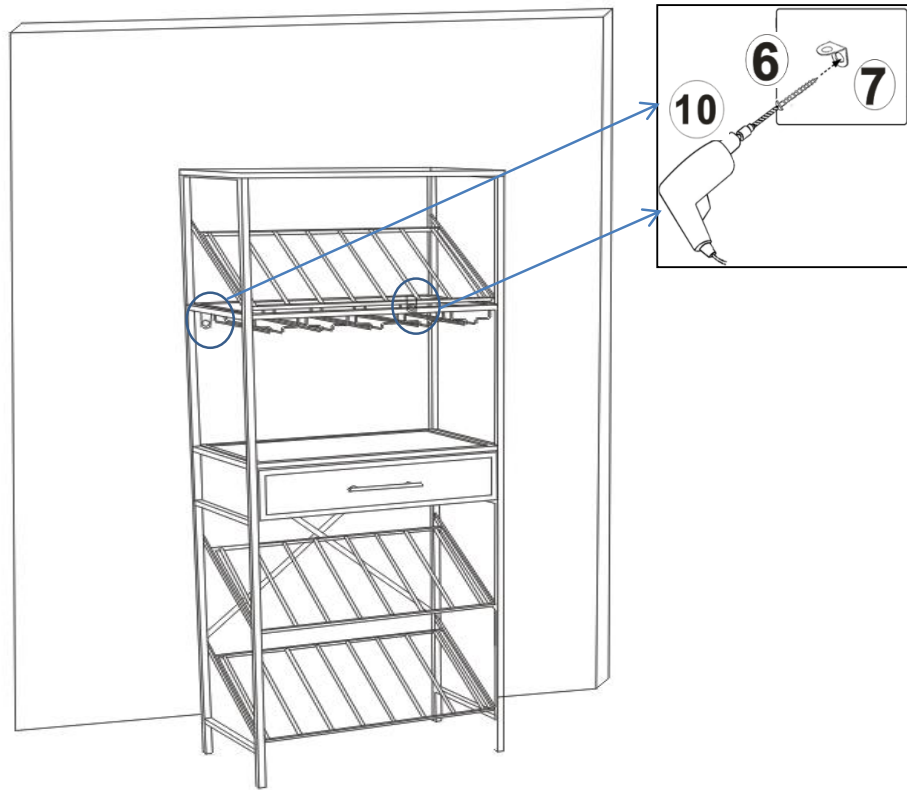
**Note: The Metal Bracket needs to be secured to a solid, load bearing surface.**

**Please use a Stud Finder(not supplied) if needed to locate the Wall Frame.**

2) Measure the height of the ring on the table with a ruler/measuring tape, then measure the same height on the wall for the L-shape Metal Bracket(⑦) and mark on the wall to keep it accurate.

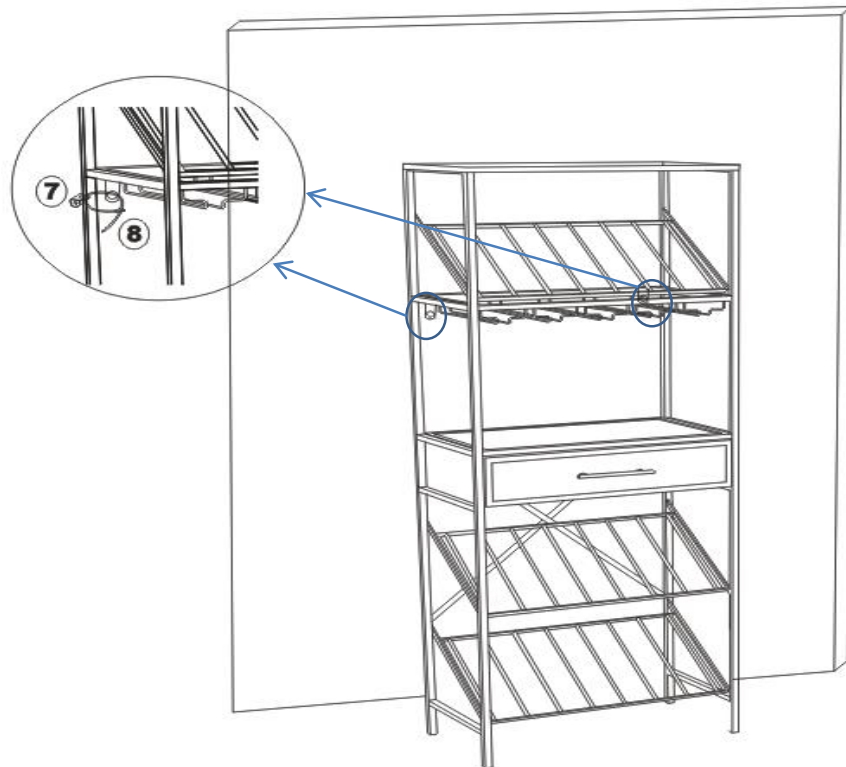
1.2) Attach a Plastic Anchor(⑫) to the hole on the wall using the Hammer(⑪).

Step 2



Attach the L-shape Metal Bracket(⑦) to the Plastic Anchor (⑫) using a Screw(⑥) with the Power Drill(⑩)

Step 3



Move the WINE RACK back against wall.  
Pull the Restraint Straps(⑧) through the L-shape Metal Brackets(⑦) on the wall and rack, and pull the Restraint Straps(⑧) tight.  
Your WINE RACK is ready for use.

**Caution: This WINE RACK can only be used on a flat, level surface.**

## Care & Maintenance



- Furniture may scratch floors. We recommend using furniture pads to protect your floors.



- Do not put hot items directly on furniture surface.



- Do not clean furniture with harsh cleansers or polish.



- Do not place furniture under direct sunlight.



- Do not place furniture near heating or cooling vents.



- Do not write on furniture without a padded barrier to protect the surface.



- Do not place furniture outside . For indoor use only.



- Not for commercial use. For residential use only.



- Stains may be removed with mild soap solution and damp cloth.



- Children should not climb or jump on the furniture.



- Dust and pick-up spills using a clean, non-colored, lint-free cloth.