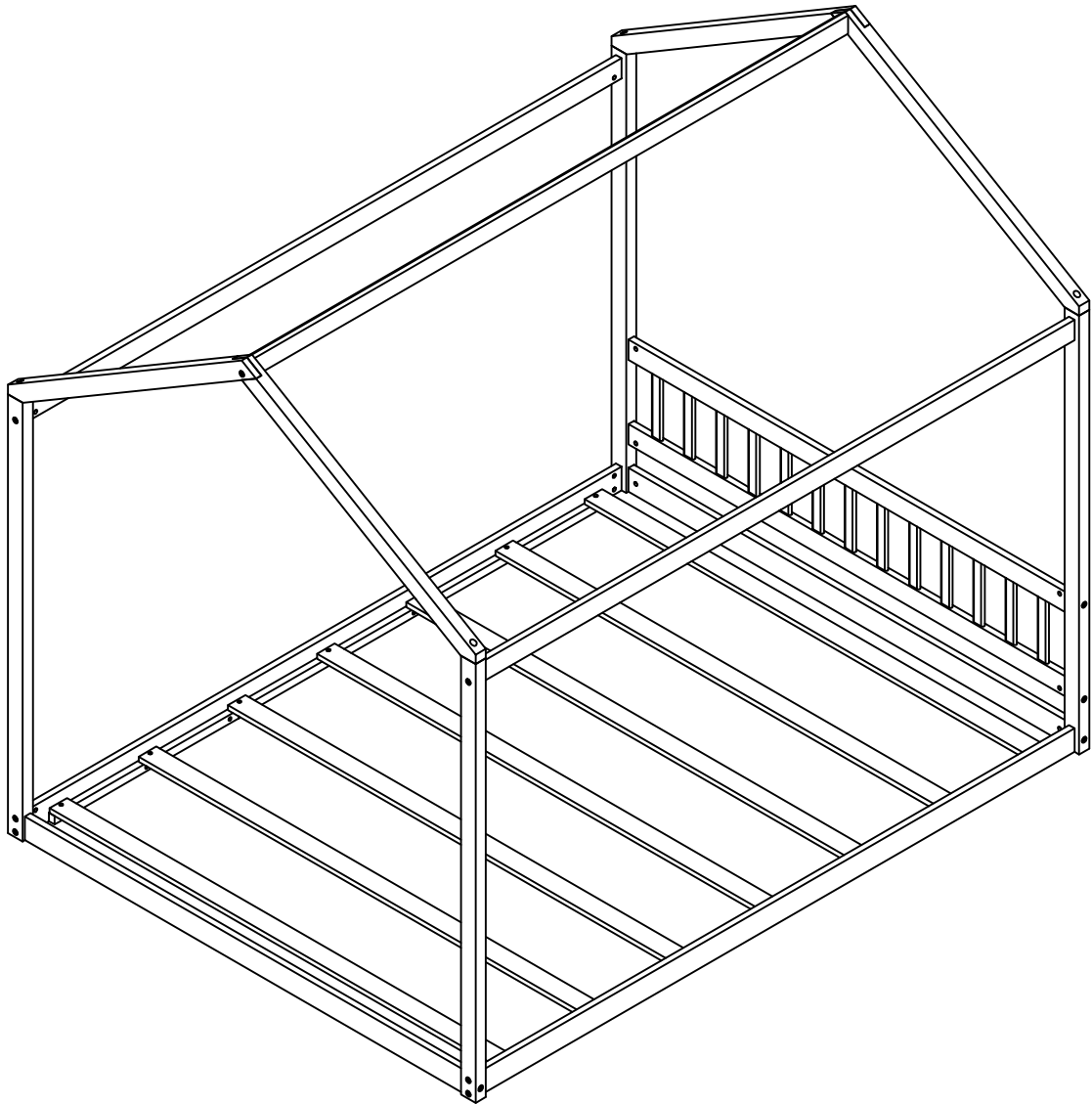
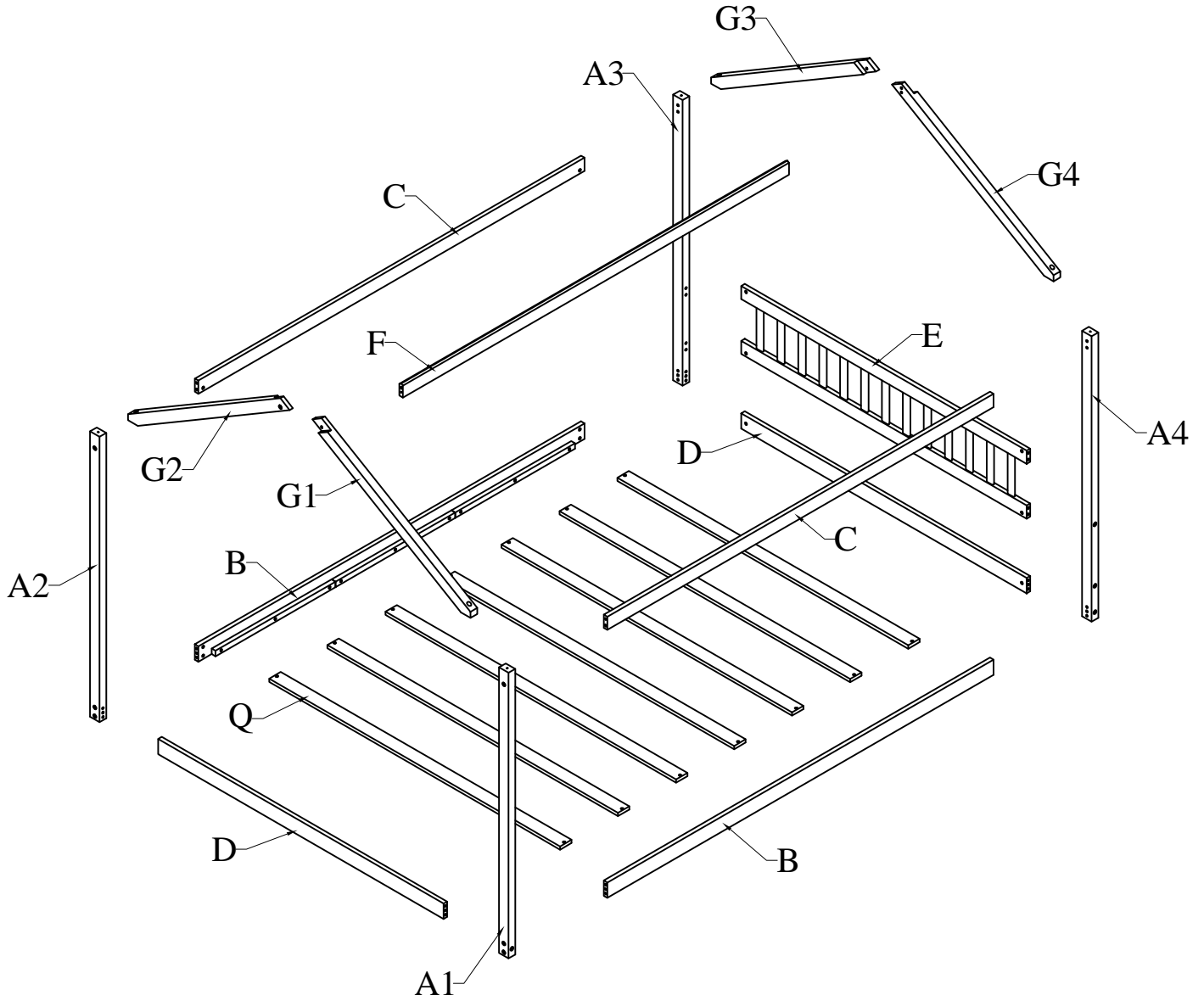




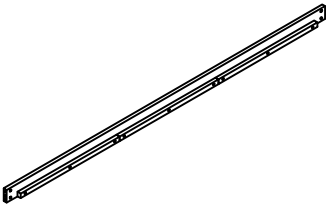
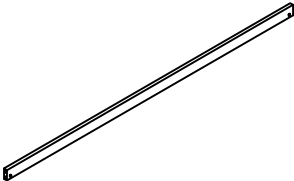
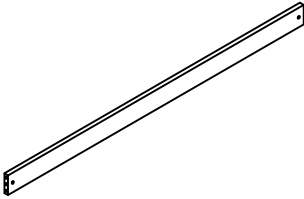
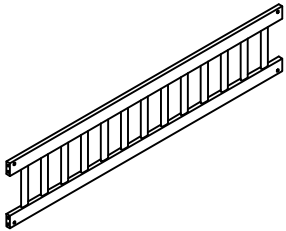
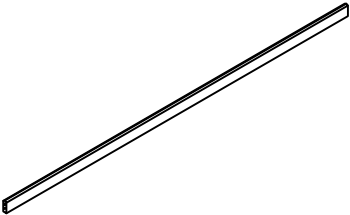
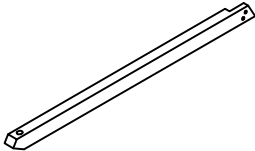
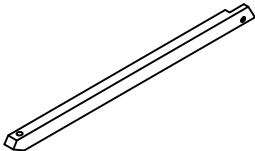
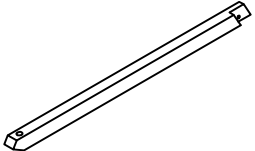
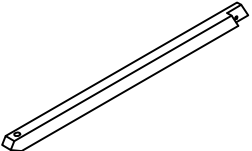
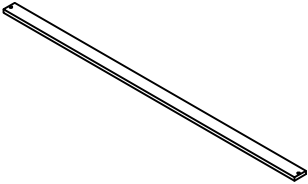


# ASSEMBLY INSTRUCTIONS

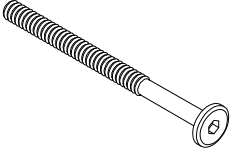
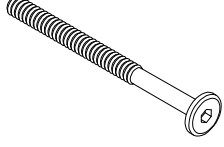

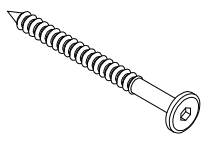
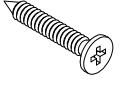
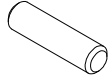
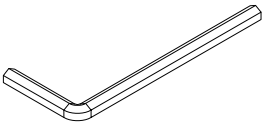


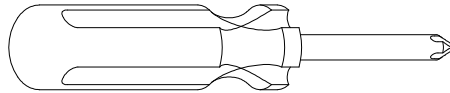
# DETAIL VIEW



<p>A1</p>  <p>Front leg - left (1pc)</p>	<p>A2</p>  <p>Back leg - left (1pc)</p>	<p>A3</p>  <p>Back leg - right (1pc)</p>	<p>A4</p>  <p>Front leg - right (1pc)</p>
<p>B</p>  <p>Side rail (2pcs)</p>	<p>C</p>  <p>Guardrail (2pcs)</p>	<p>D</p>  <p>Horizontal rail (2pcs)</p>	<p>E</p>  <p>Side frame (1pc)</p>
<p>F</p>  <p>Guard rail top (1pc)</p>	<p>G1</p>  <p>Vertical bar front - left (1pc)</p>	<p>G2</p>  <p>Vertical bar back - left (1pc)</p>	<p>G3</p>  <p>Vertical bar back - right (1pc)</p>
<p>G4</p>  <p>Vertical bar front - right (1pc)</p>	<p>Q</p>  <p>Slats (7pcs)</p>		

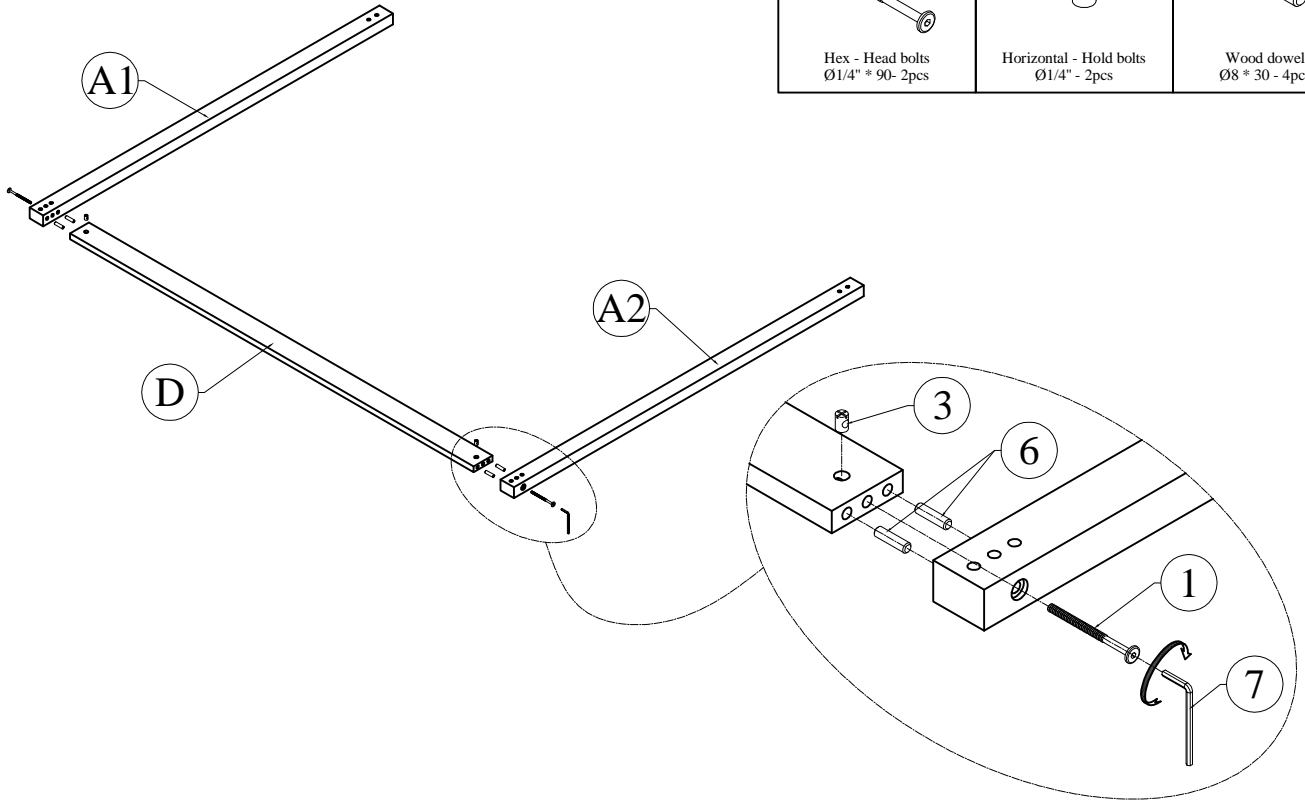
# HARDWARE LIST

<p>1</p>  <p>Hex - Head bolts Ø1/4" * 90 - 8pcs</p>	<p>2</p>  <p>Hex - Head bolts Ø1/4" * 80 - 12pcs</p>	<p>3</p>  <p>Horizontal - Hold bolts Ø1/4" - 20pcs</p>	<p>4</p>  <p>Hexagonal bolts catch wood Ø6 * 70 - 6pcs</p>
<p>5</p>  <p>Wood crews M4 * 25 - 14pcs</p>	<p>6</p>  <p>Wood dowel Ø8 * 30 - 22pcs</p>	<p>7</p>  <p>Allen key K4 - 1pc</p>	



**Assembly Tools Required (Not Included)**

# STEP 1

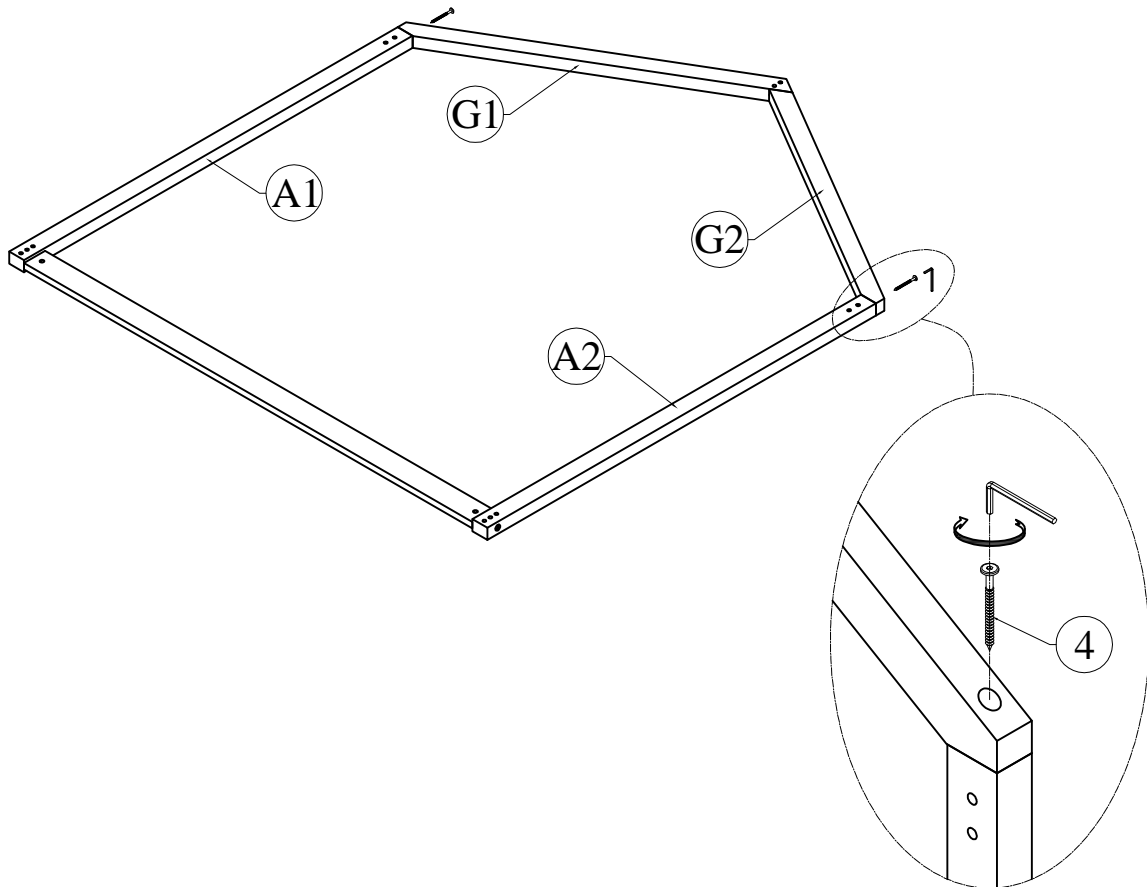


1  
Hex - Head bolts  
Ø1/4" \* 90- 2pcs

3  
Horizontal - Hold bolts  
Ø1/4" - 2pcs




6  
Wood dowel  
Ø8 \* 30 - 4pcs

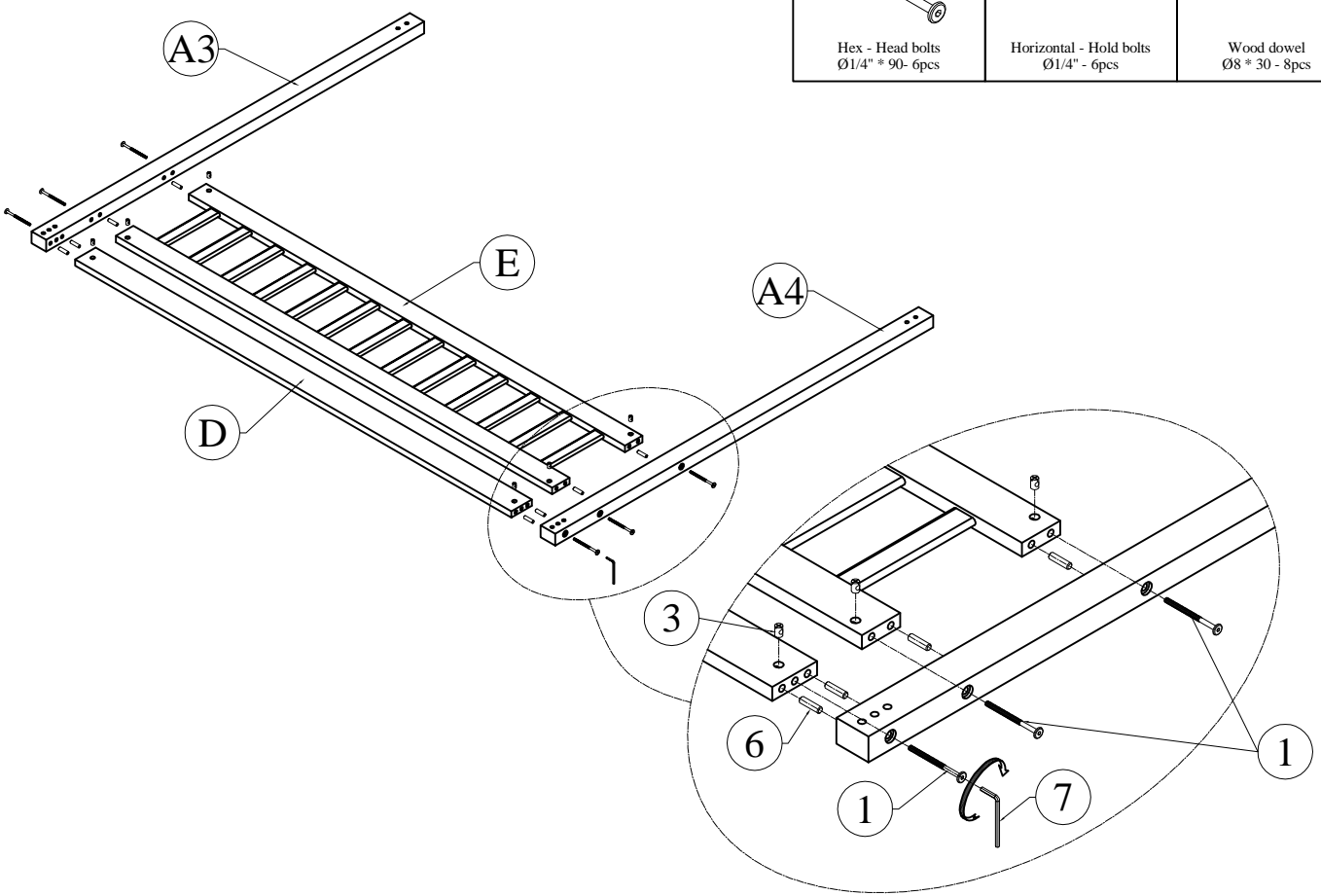
# STEP 2



4  
Hexagonal bolts catch wood  
Ø6 \* 70 - 2pcs

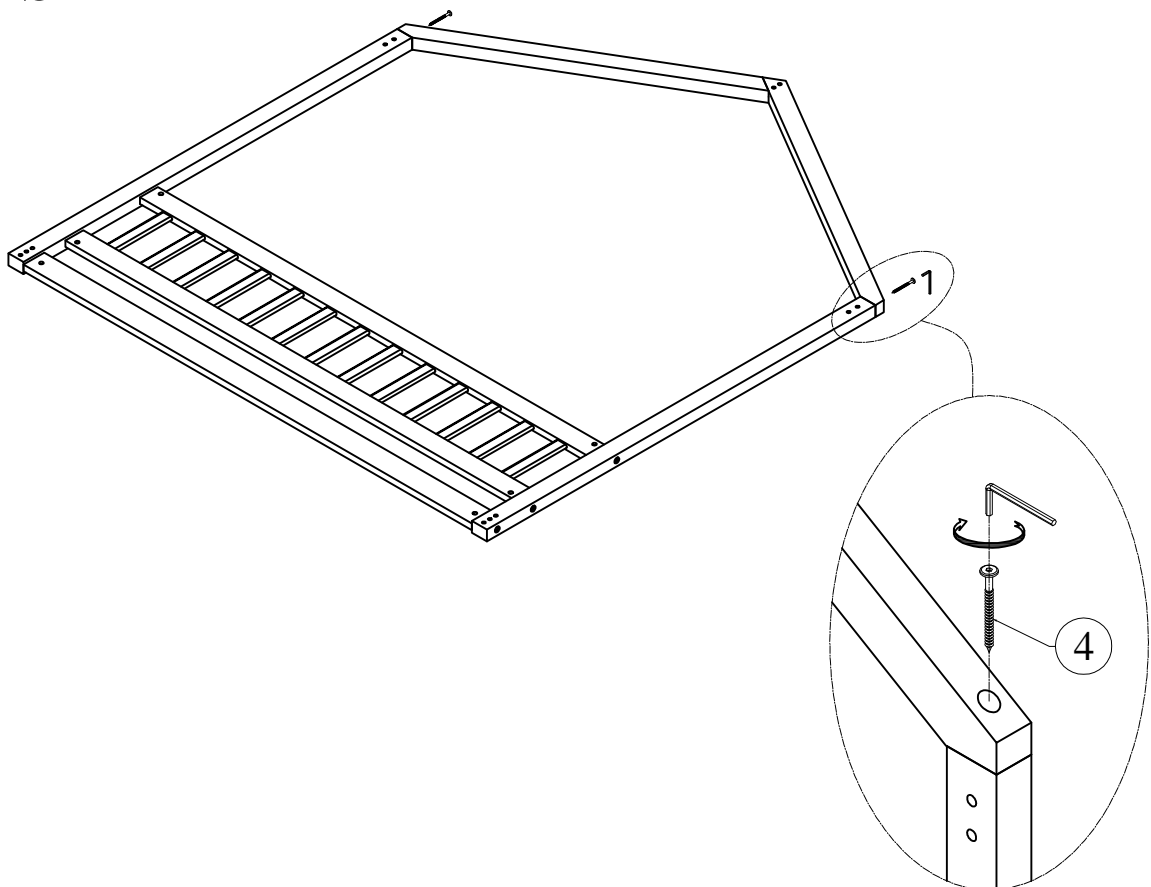
# STEP 3

<p>1</p>  <p>Hex - Head bolts Ø1/4" * 90- 6pcs</p>	<p>3</p>  <p>Horizontal - Hold bolts Ø1/4" - 6pcs</p>	<p>6</p>  <p>Wood dowel Ø8 * 30 - 8pcs</p>
--	--	---




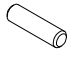


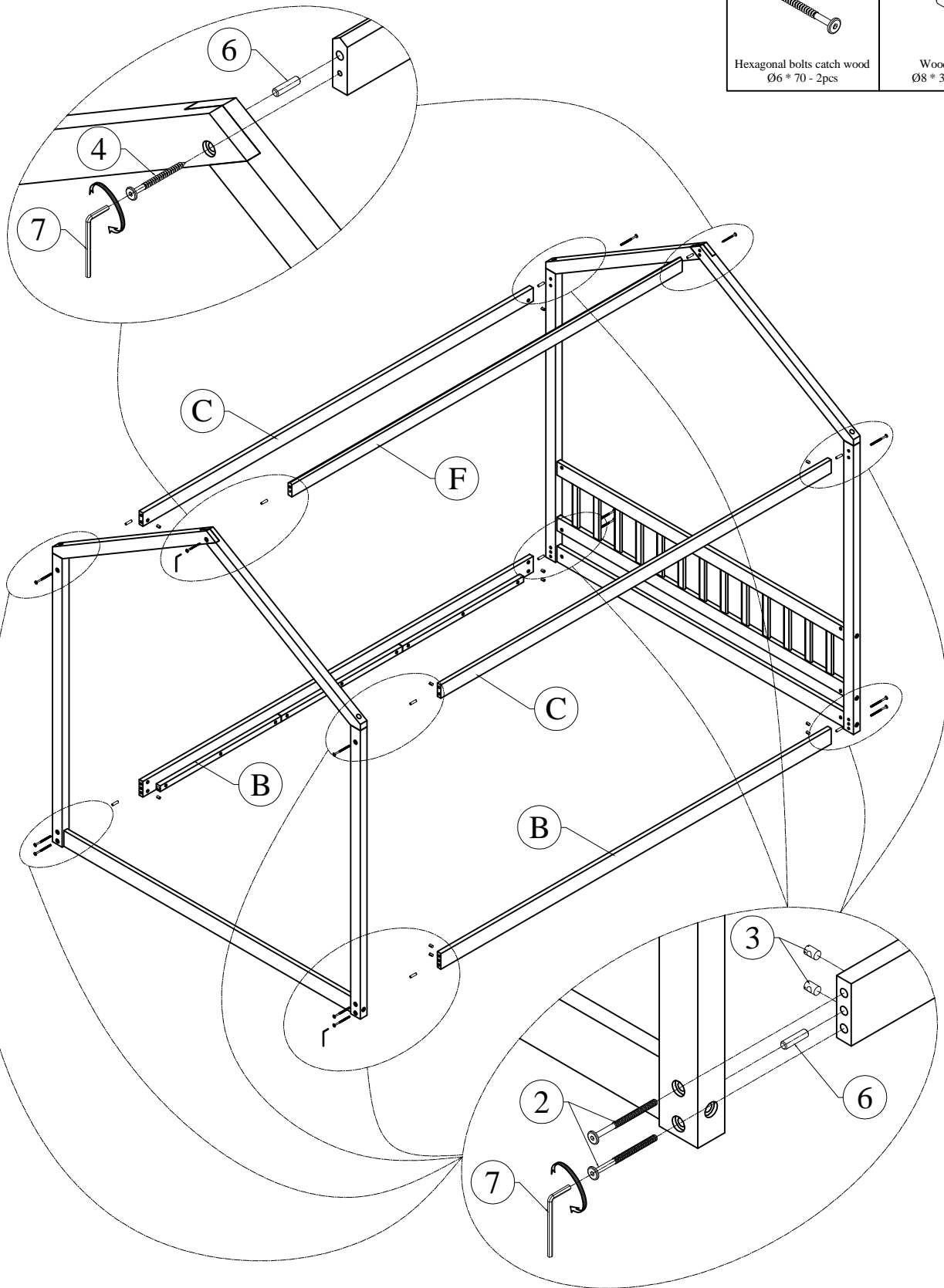
# STEP 4

<p>4</p> <p>Hexagonal bolts catch wood Ø6 * 70 - 2pcs</p>
---



# STEP 5

<p>2</p>  <p>Hex - Head bolts Ø1/4" * 80 - 12pcs</p>	<p>3</p>  <p>Horizontal - Hold bolts Ø1/4" - 12pcs</p>
<p>4</p>  <p>Hexagonal bolts catch wood Ø6 * 70 - 2pcs</p>	<p>6</p>  <p>Wood dowel Ø8 * 30 - 10pcs</p>

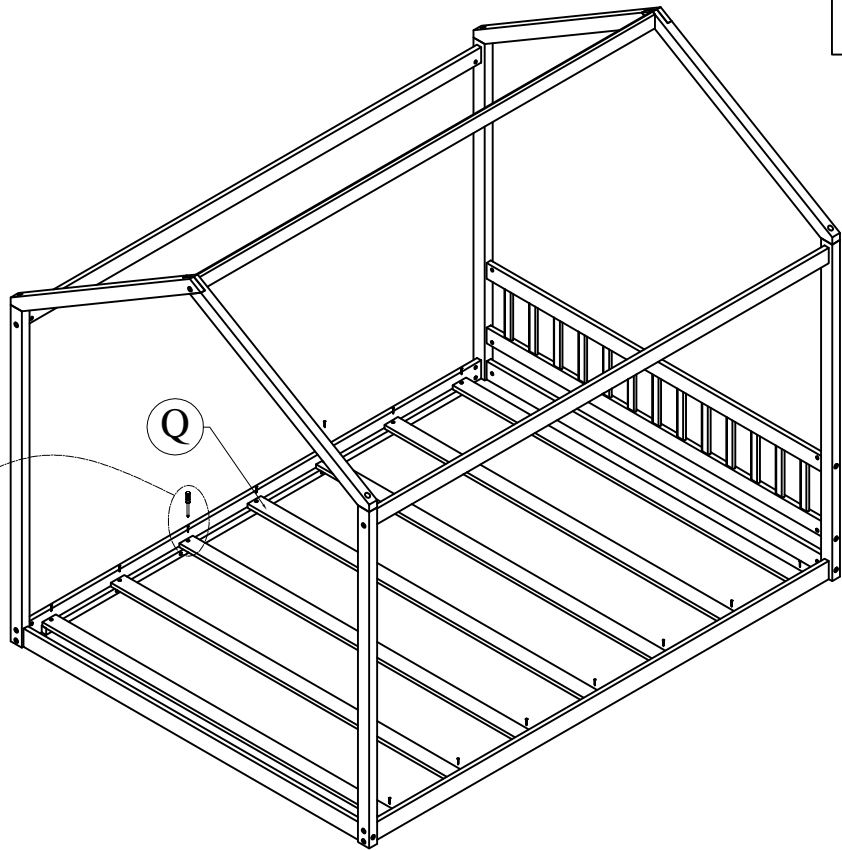
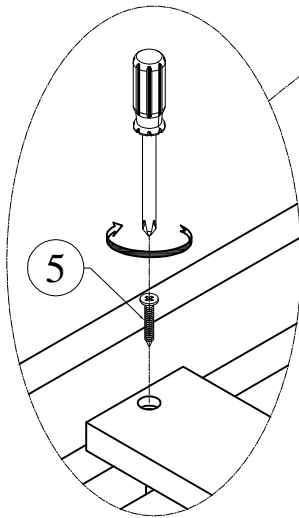


# STEP 6

5



Wood screws  
M4 x 25 - 14pcs



## COMPLETED

