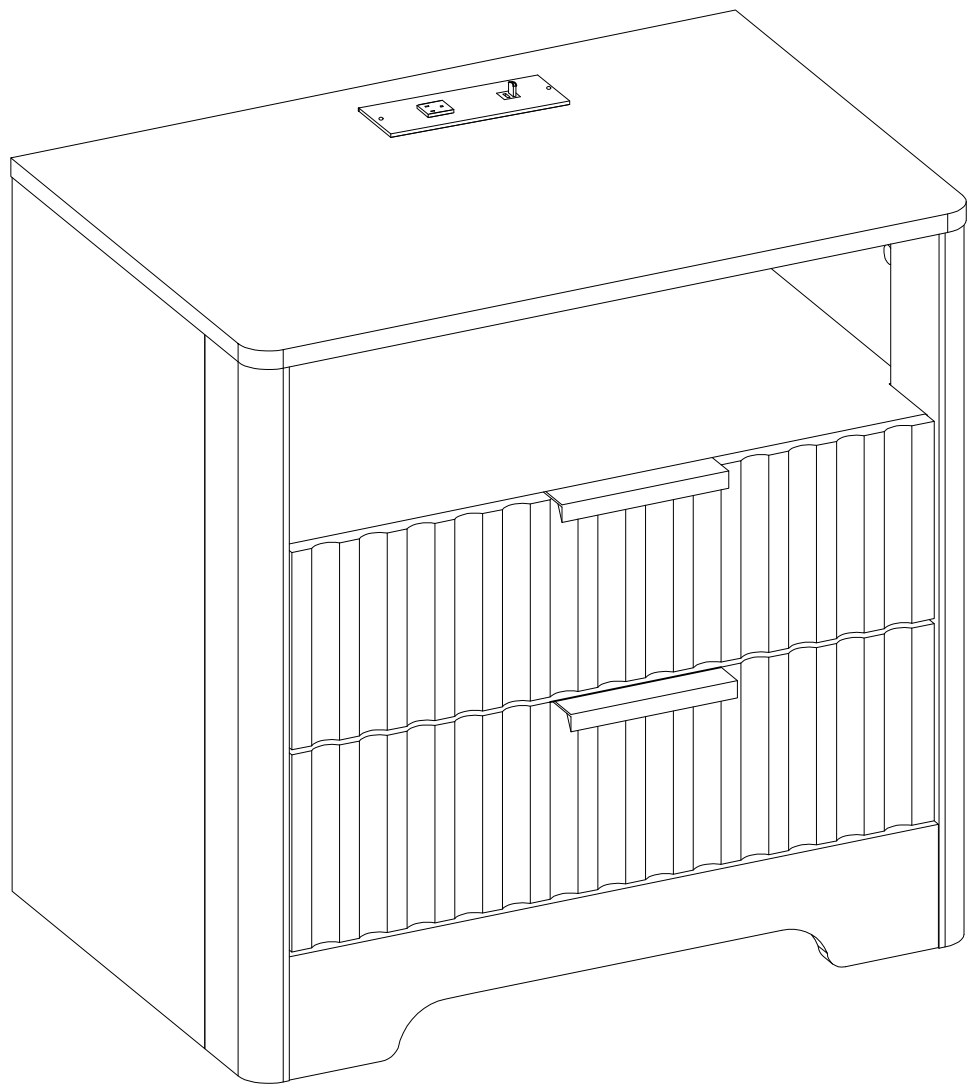
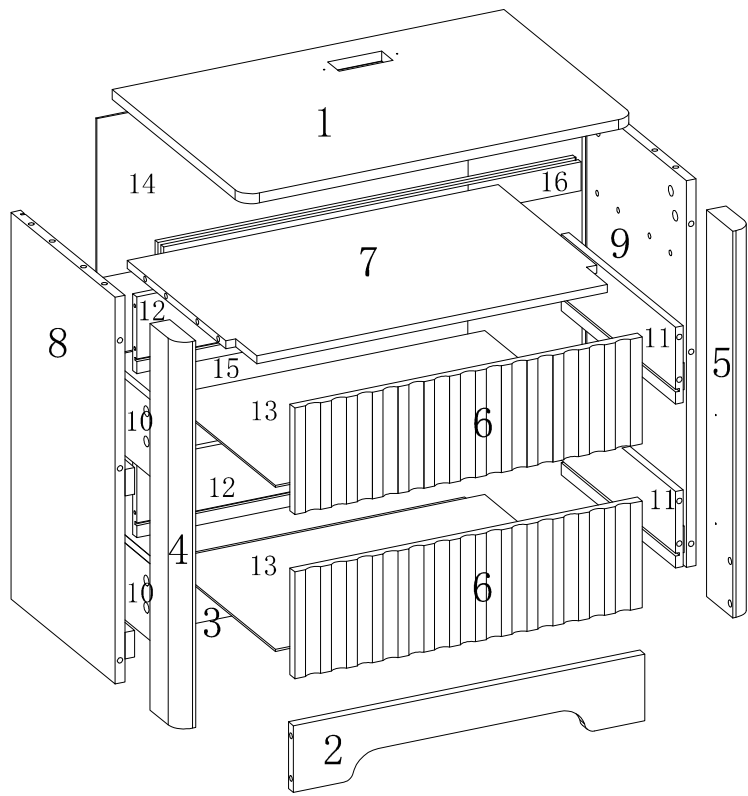

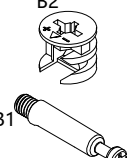
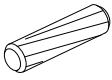
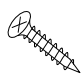

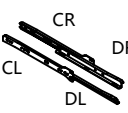
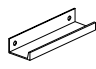
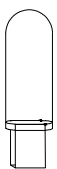
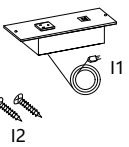





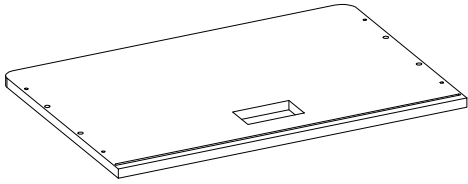
DS-L006





A  22PCS	B  8PCS	C  Ø8*30mm 8PCS	D  M3.5*12mm 26PCS	E  M3.5*30mm 8PCS	F  L=350mm 2PCS	G  2PCS	H  1PC	I  1PC
J  8PCS	K  6PCS	L  30PCS						

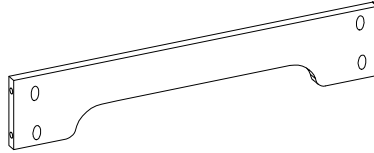
1



600*401*15mm

1PC

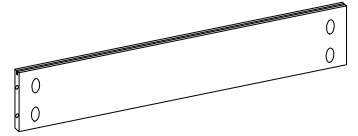
2



538*100*15mm

1PC

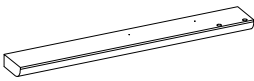
3



568*100*15mm

1PC

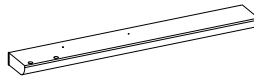
4



580*80*30mm

1PC

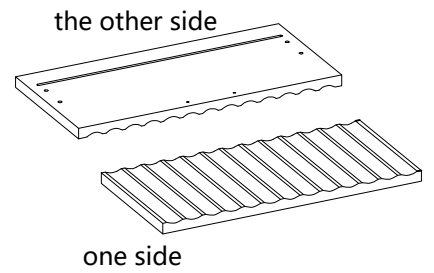
5



580*80*30mm

1PC

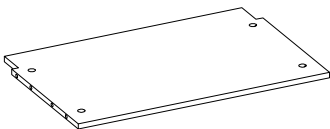
6



159*532*15mm

2PCS

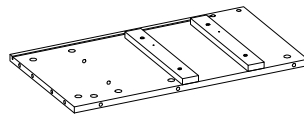
7



568*365*12mm

1PC

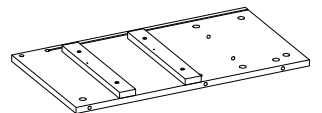
8



580*319*30mm

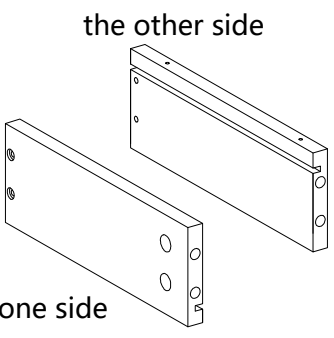
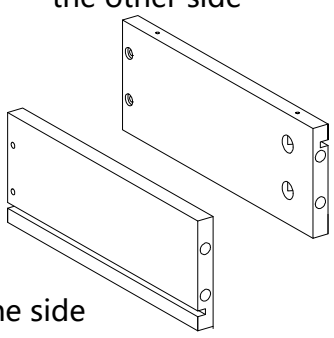
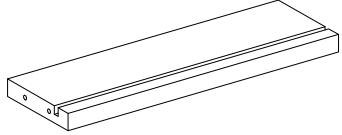

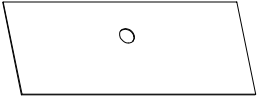

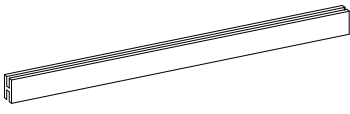
1PC

9

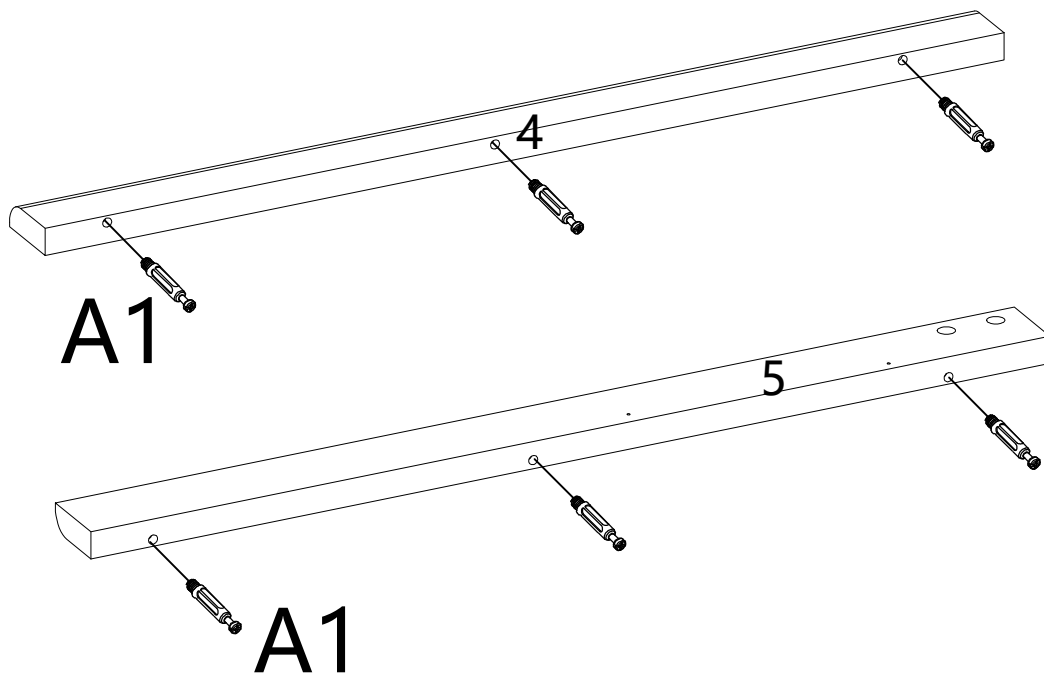
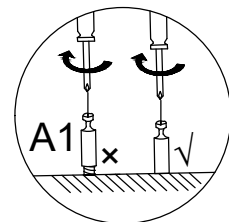
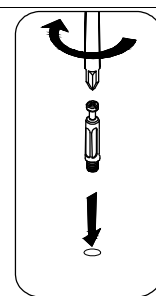



580*319*30mm

1PC

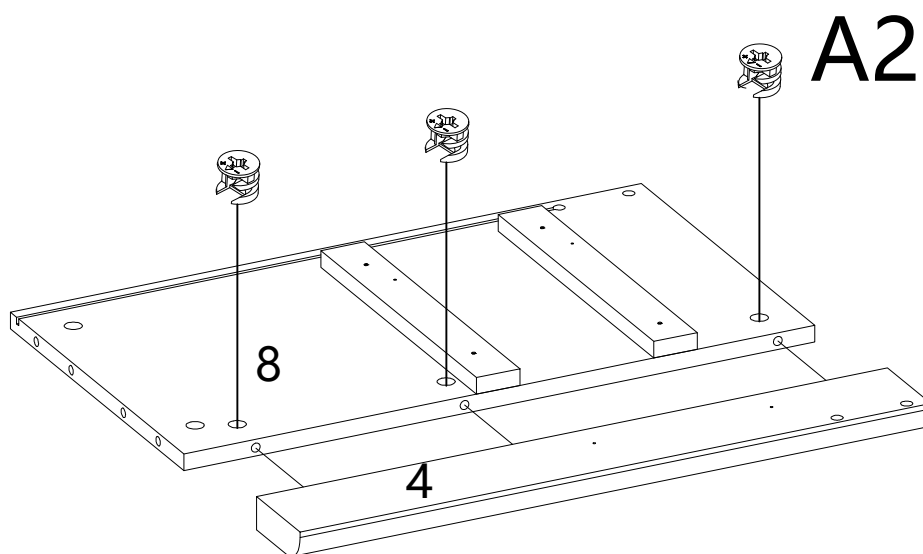
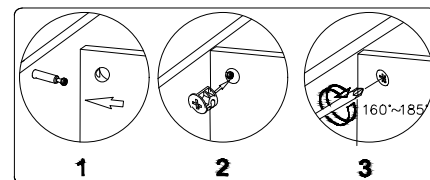
<p>10</p>  <p>the other side</p> <p>one side</p> <p>350*115*12mm 2PCS</p>	<p>11</p>  <p>the other side</p> <p>one side</p> <p>350*115*12mm 2PCS</p>	<p>12</p>  <p>489*115*12mm 2PCS</p>
<p>13</p>  <p>499*347*3mm 2PCS</p>	<p>14</p>  <p>578*244*3mm 1PC</p>	<p>15</p>  <p>578*244*3mm 1PC</p>
<p>16</p>  <p>L=566mm 1PC</p>		


STEP 1



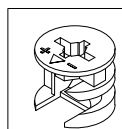
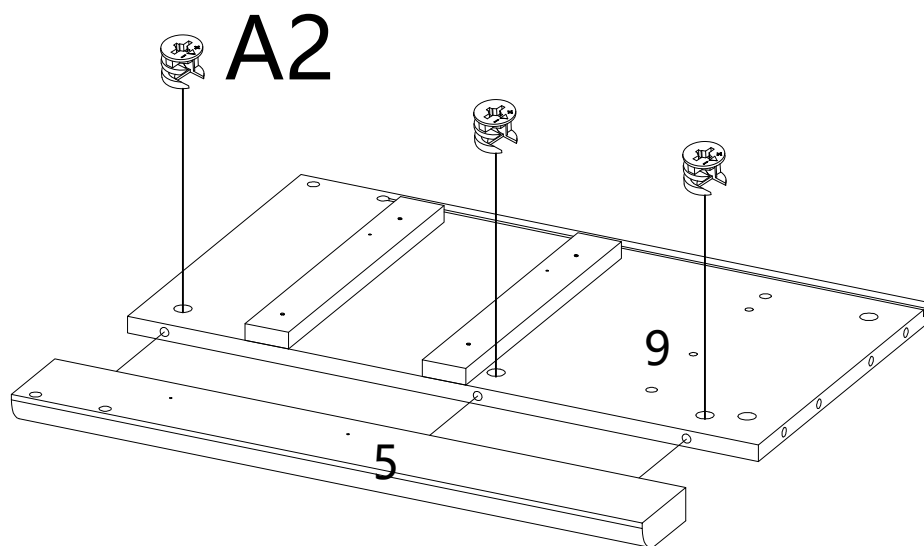
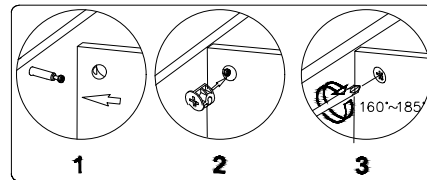
	A1 × 6PCS
---	-----------

STEP 2



	A2 × 3PCS
---	-----------

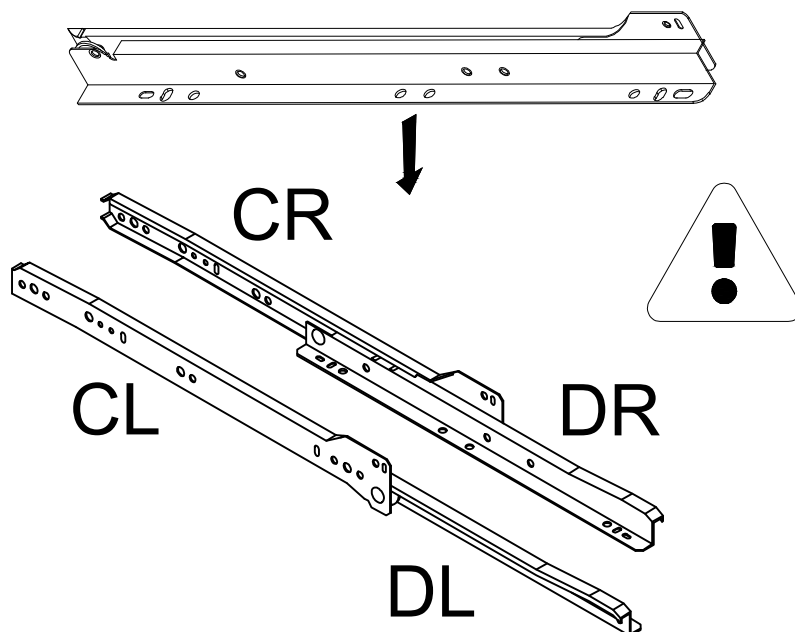
STEP 3



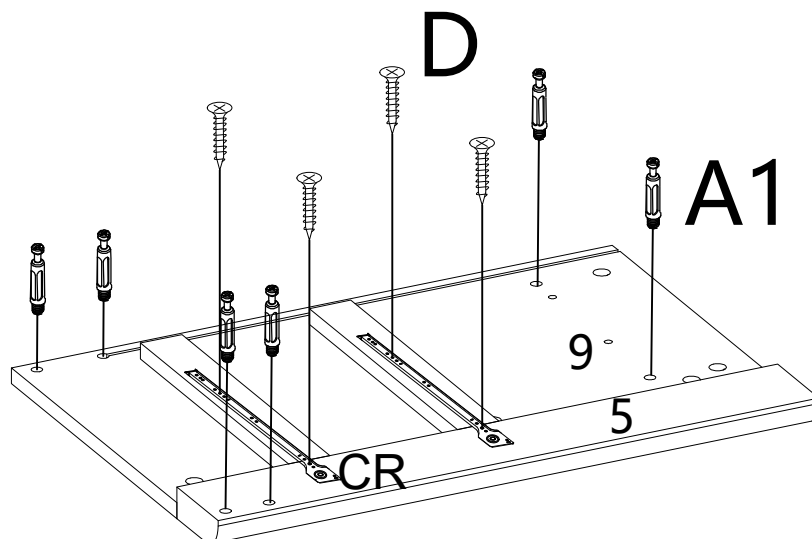
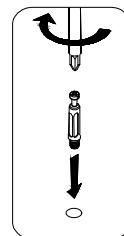
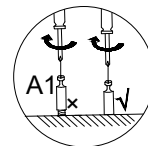
A2 × 3PCS

STEP 4

F X 2

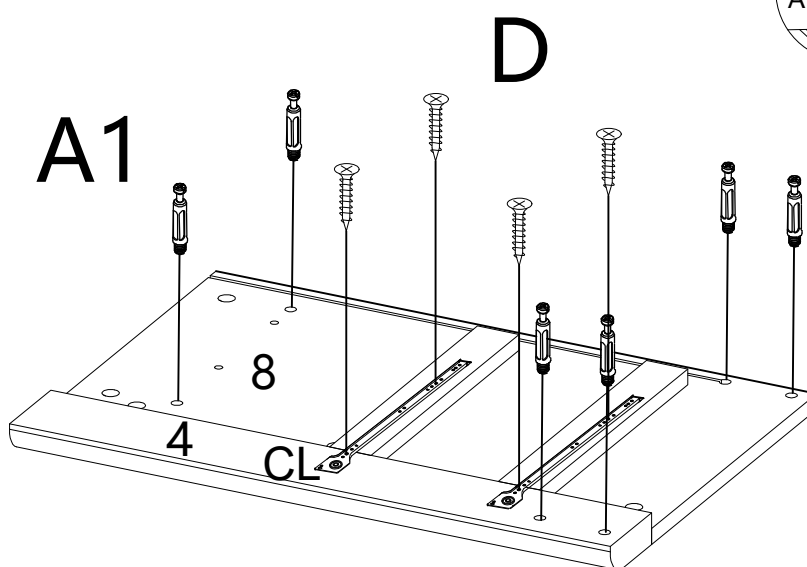
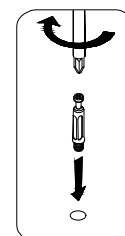
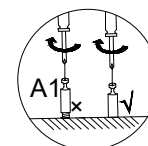





STEP 5



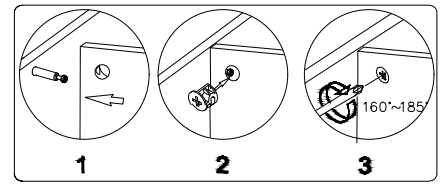
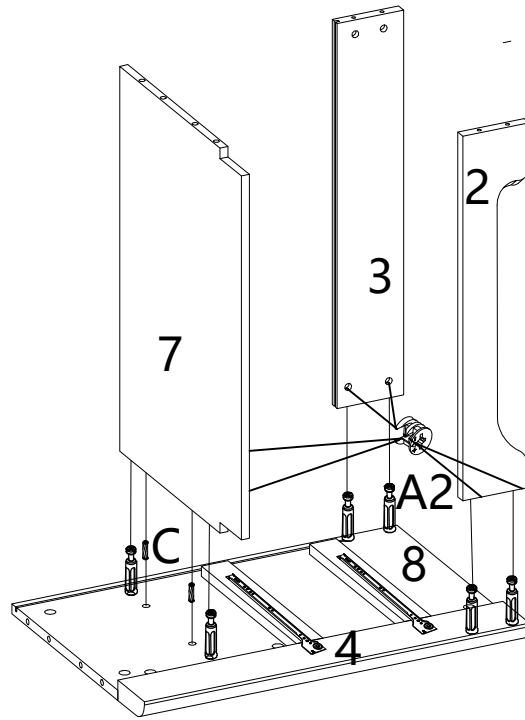
	A1 × 6PCS		CR X 2PCS		D × 4PCS
---	-----------	---	-----------	---	----------



STEP 6



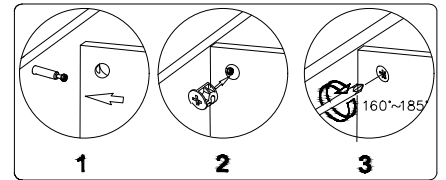
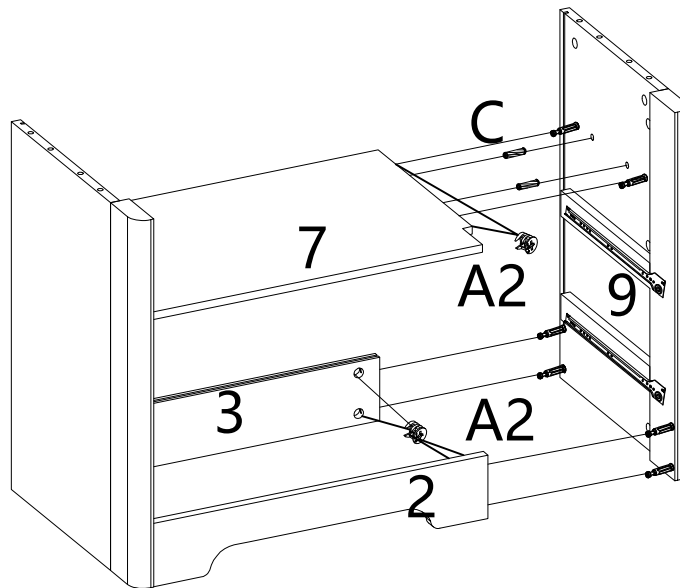
	A1 × 6PCS		CL X 2PCS		D × 4PCS
---	-----------	---	-----------	---	----------

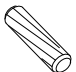

STEP 7



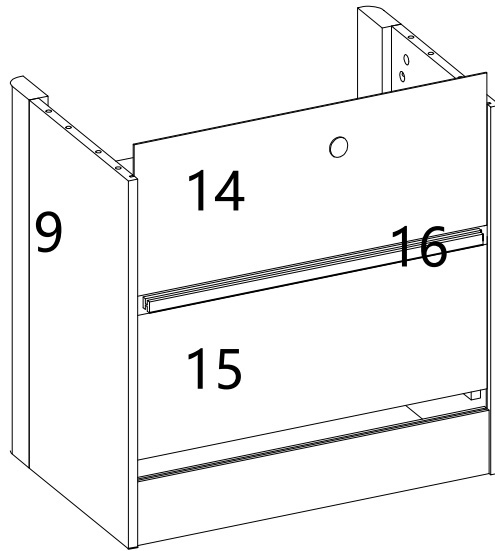
	C × 2PCS		A2 × 6PCS
---	----------	---	-----------

STEP 8

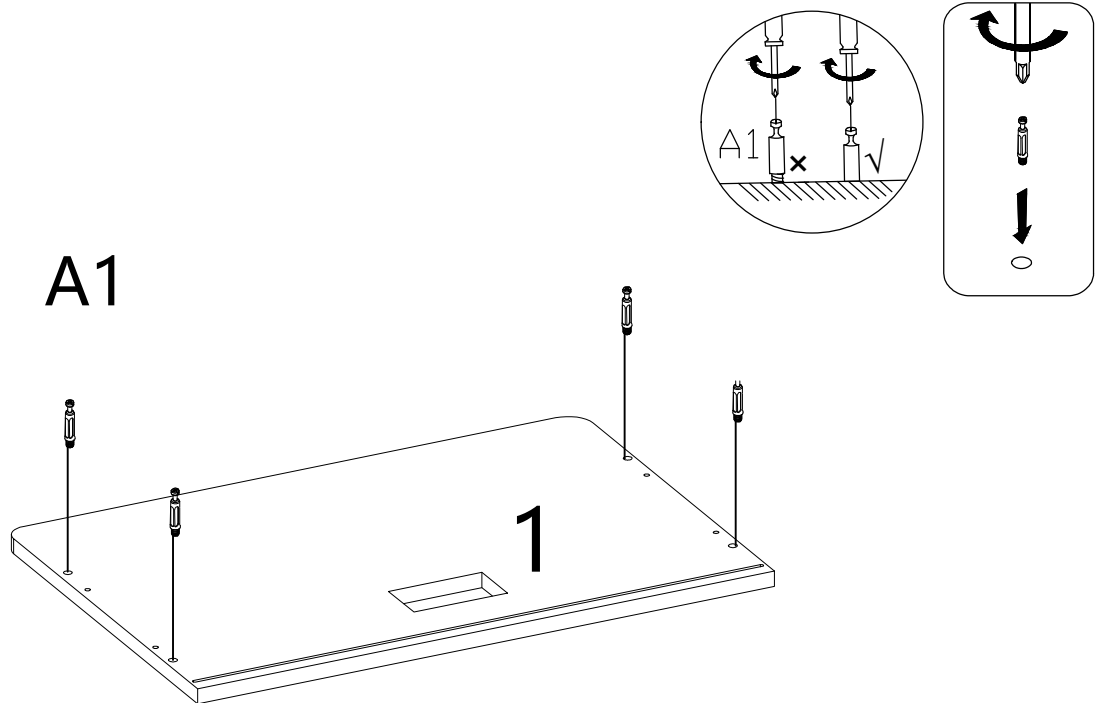


	C × 2PCS		A2 × 6PCS
---	----------	---	-----------

STEP 9

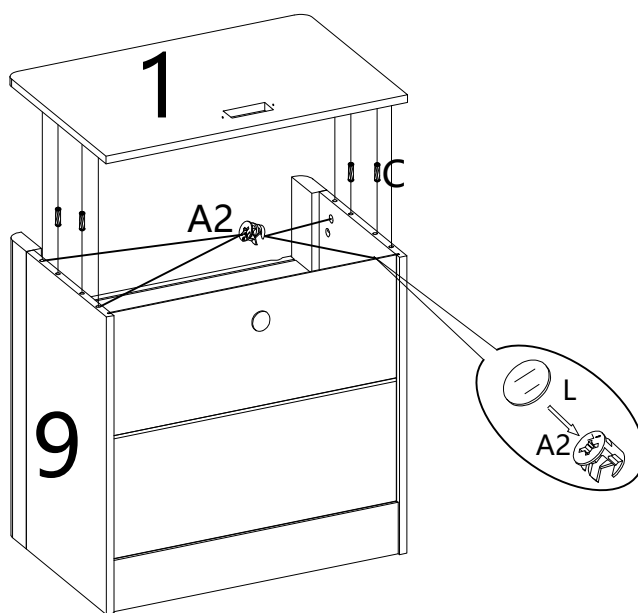
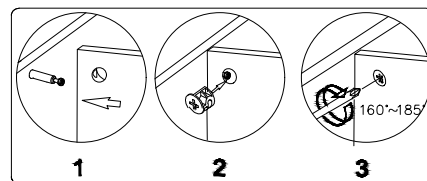



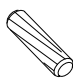
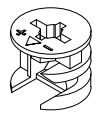
STEP 10



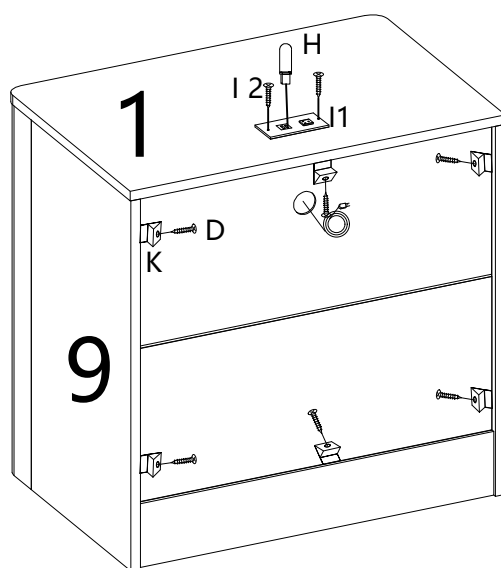
A1 × 4PCS


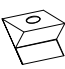
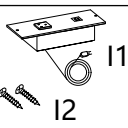

STEP 11



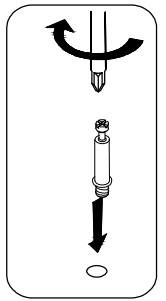
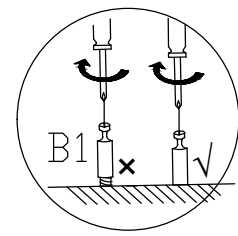
	L × 22PCS		C × 4PCS		A2 × 4PCS
---	-----------	---	----------	---	-----------

STEP 12

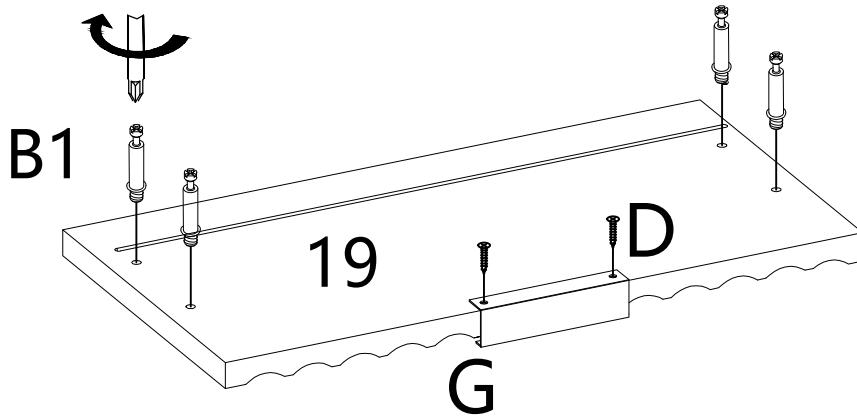





	C × 6PCS		K × 6PCS		I × 1PC
					H × 1PC

STEP 13



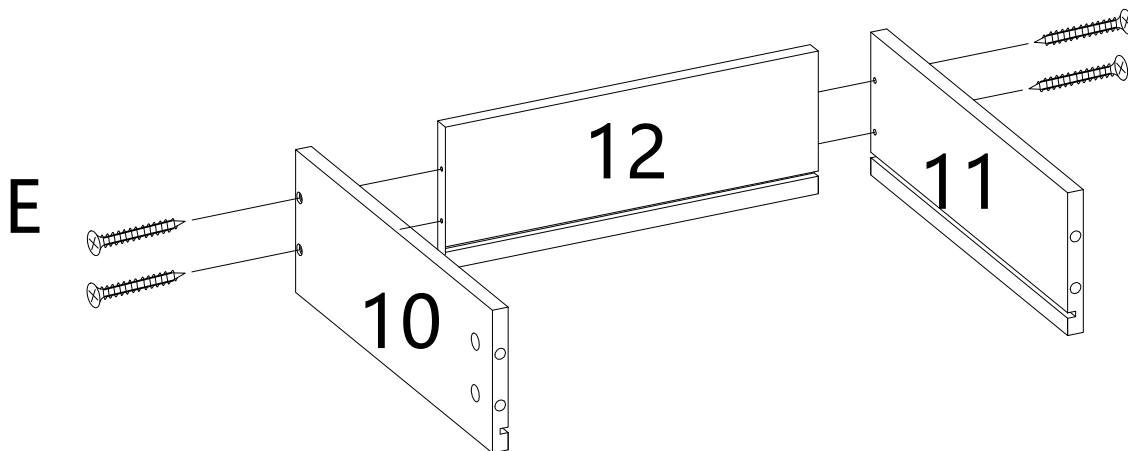
X2



	D × 4PCS		G × 2PCS		B1 × 8PCS
---	----------	---	----------	---	-----------

STEP 14

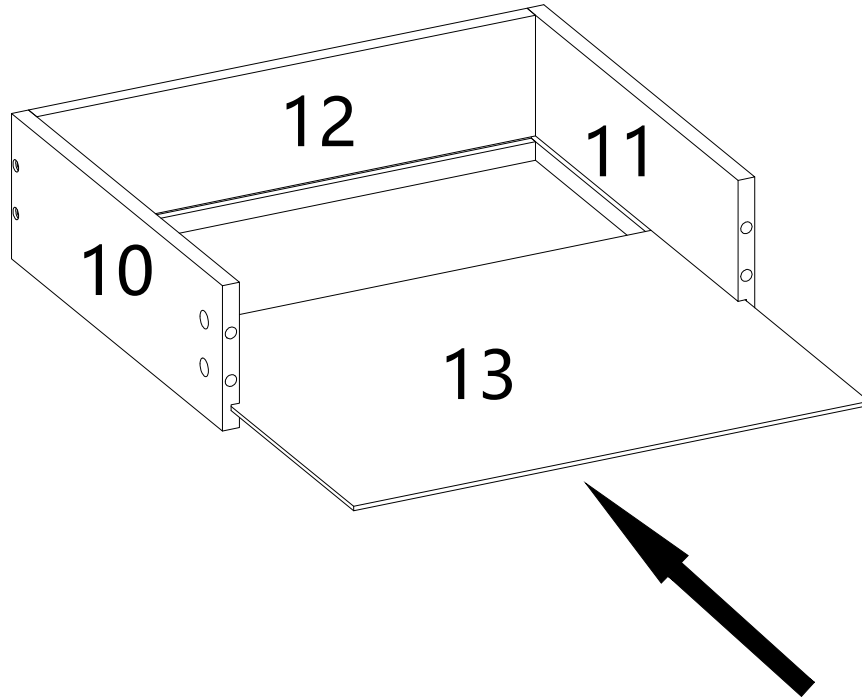
X2



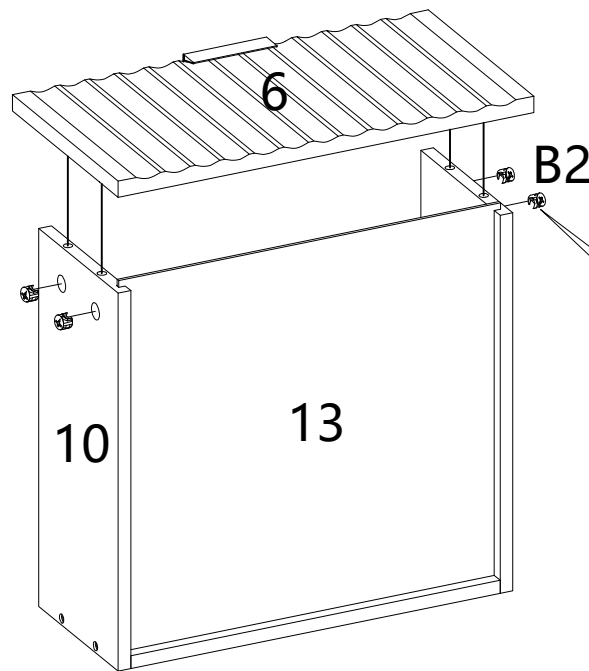
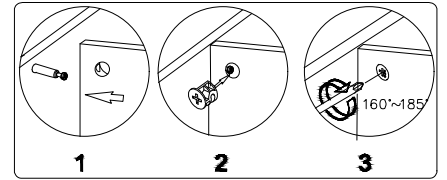
	E × 8PCS
---	----------

STEP 15

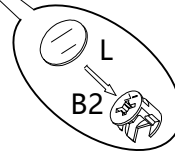
X2





STEP 16

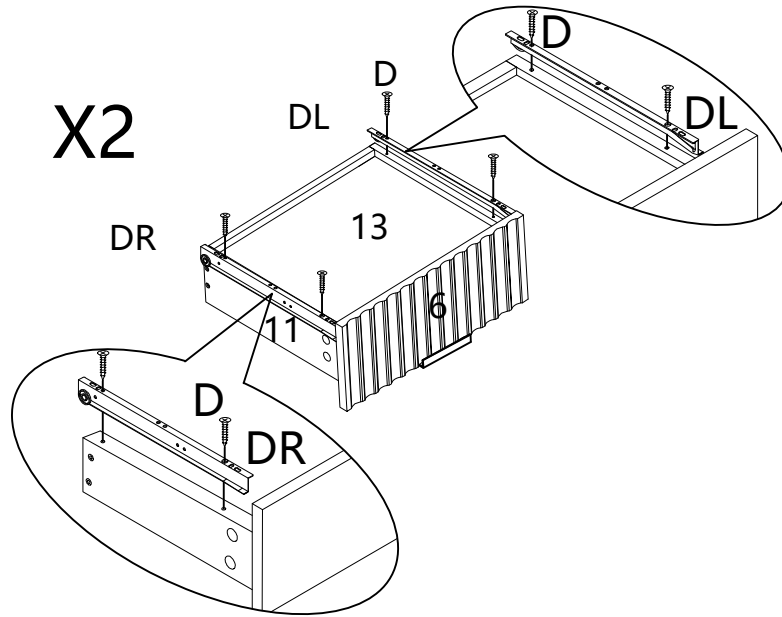





X2



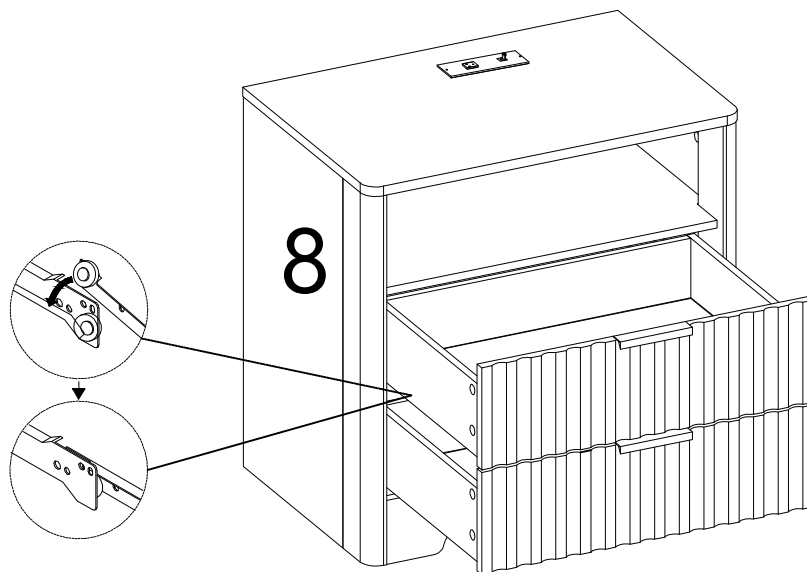
	L × 8PCS		B2 × 8PCS
---	----------	---	-----------

STEP 17

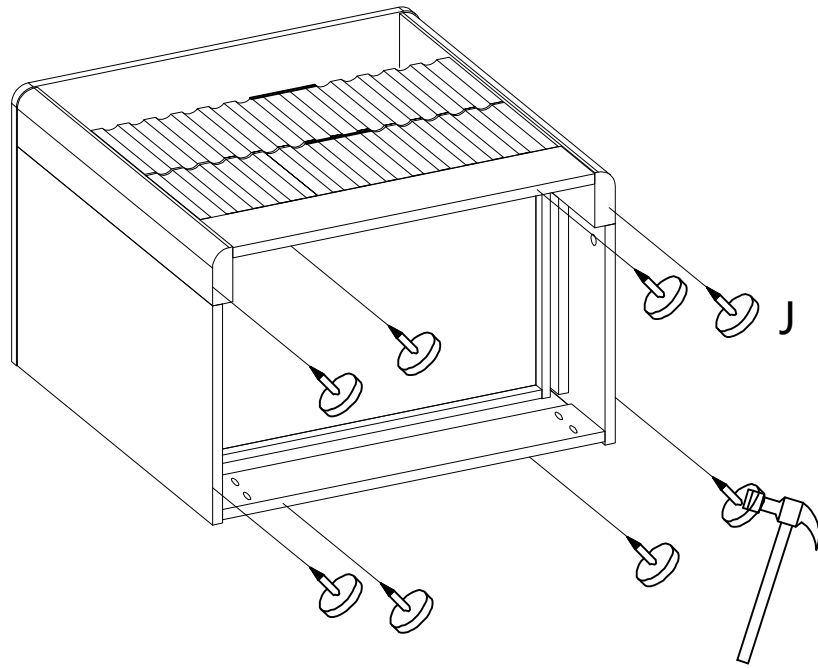



	D × 8PCS		DL × 2PCS		DR × 2PCS
---	----------	---	-----------	---	-----------

STEP 18



STEP 19



	J × 8PCS
---	----------

STEP 20

