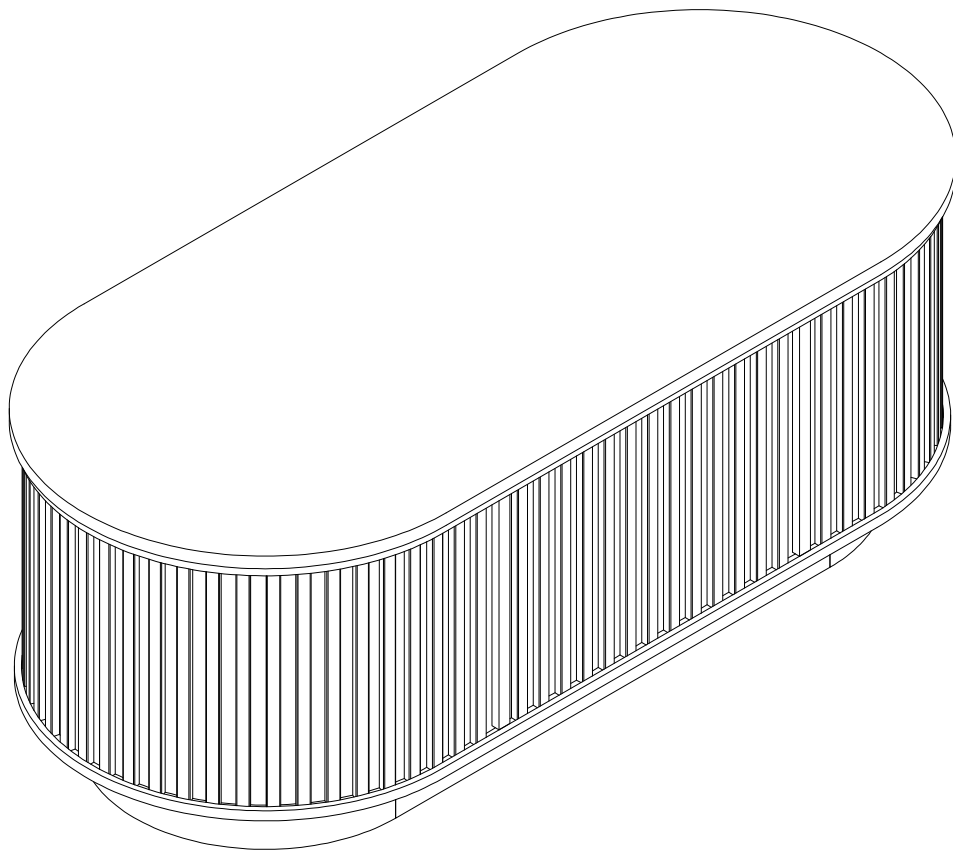


Assembly Instructions

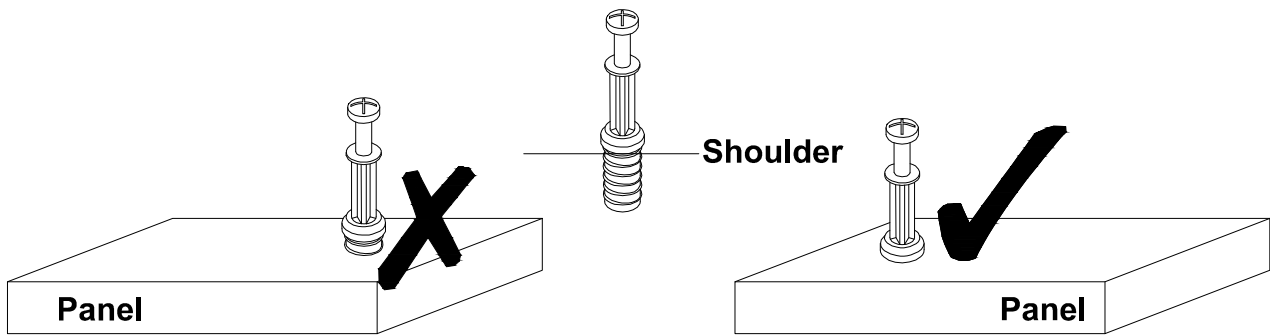


Before Assembly

Tips Before Your Start:

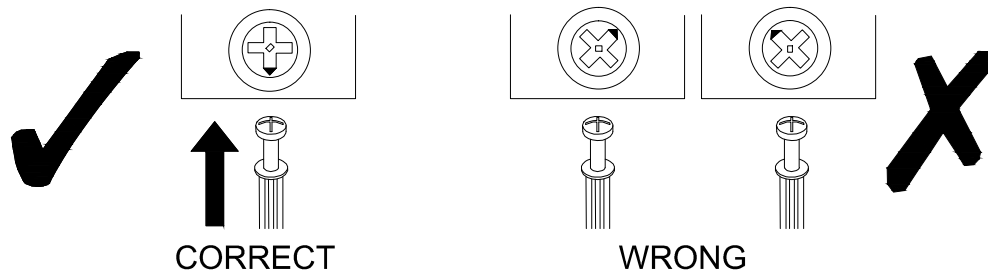
- Remove all wrapping material, including staples & packing straps before you start to assemble.
- DO NOT tighten all screws and bolts until the assembly is completely assembled.
- Keep all hardware parts out of reach of children.

QUICKFIT



Tighten quickfit until shoulder is flush with panel. Do not overtighten or undertighten.

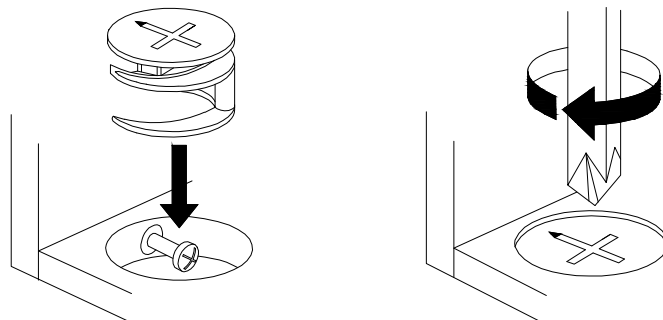
CAM LOCK



When fitting a cam lock, ensure the starting position is correct before inserting the connecting QUI CKFIT




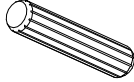
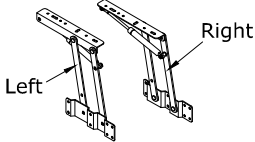
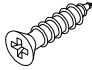

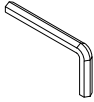

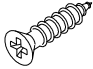
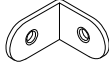
Quickfit head should be in the centre of the cam lock when the two panels are joined.

Cam lock should be inserted before quickfit.

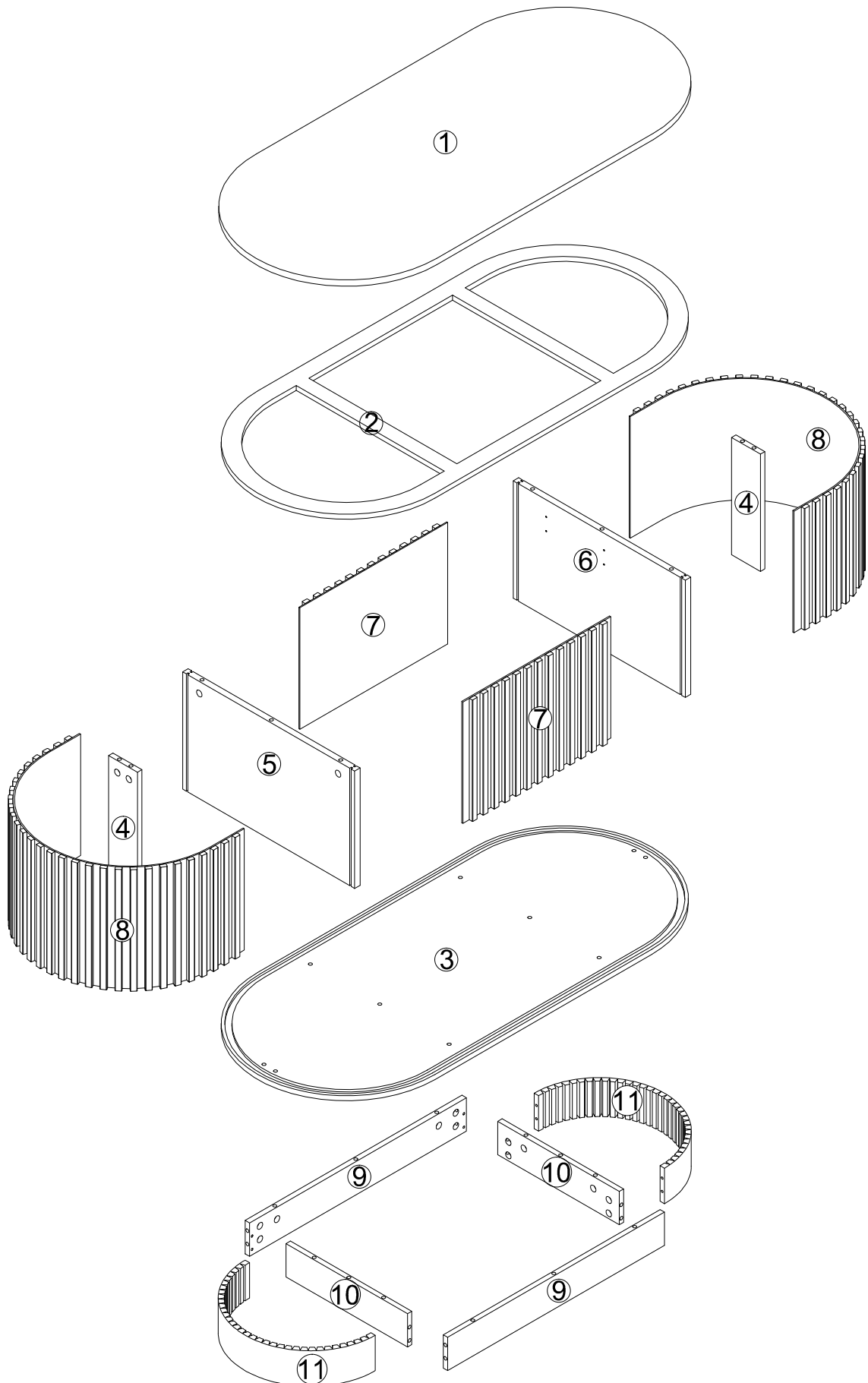


Turn cam lock clockwise to tighten.

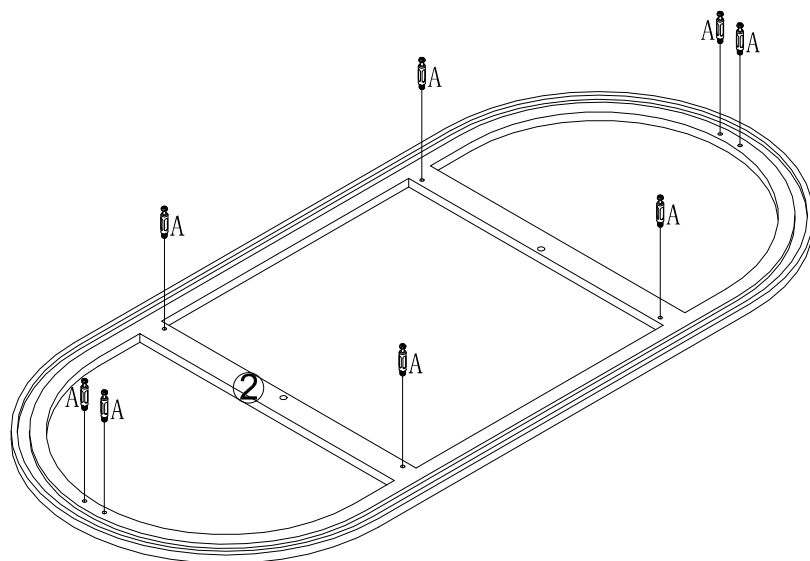
Part List

<p>No. A Quantity:32 Pcs Cam Lock Dowel 8*28mm</p> 	<p>No. B Quantity:32 Pcs Cam Ø15</p> 	<p>No. C Quantity:32 Pcs Sticker Ø20</p> 	<p>No. D Quantity:8 Pcs Dowel 8*30mm</p> 
<p>No. E Quantity:1 Sets Lifting rod</p> 	<p>No. F Quantity:24 Pcs Screw M4*16mm</p> 	<p>No. G Quantity:8 Pcs Screw M6*40mm</p> 	<p>No. H Quantity:1 Pcs Allen Key 4#</p> 
<p>No. I Quantity:6 Pcs Foot Pad Ø15*5</p> 	<p>No. J Quantity:4 Pcs Screw M3.5*12mm</p> 	<p>No. K Quantity:2 Pcs corner code 25*25*1.6</p> 	

Product structure



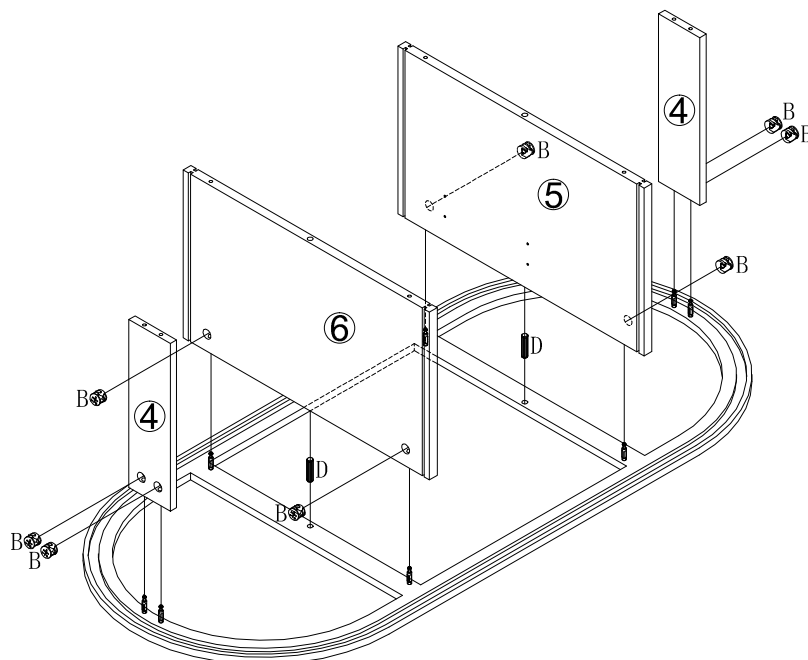
STEP 1



No. A
Quantity: 8 Pcs
8*28mm



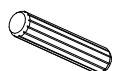
STEP 2



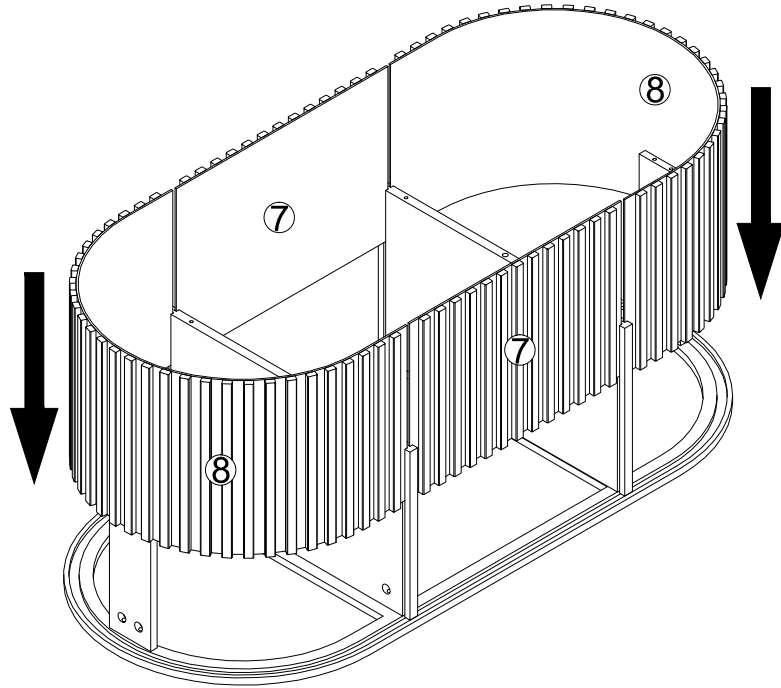
No. B
Quantity: 8 Pcs
Ø15



No. D
Quantity: 2 Pcs
8*30mm

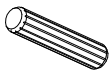


STEP 3



STEP 4

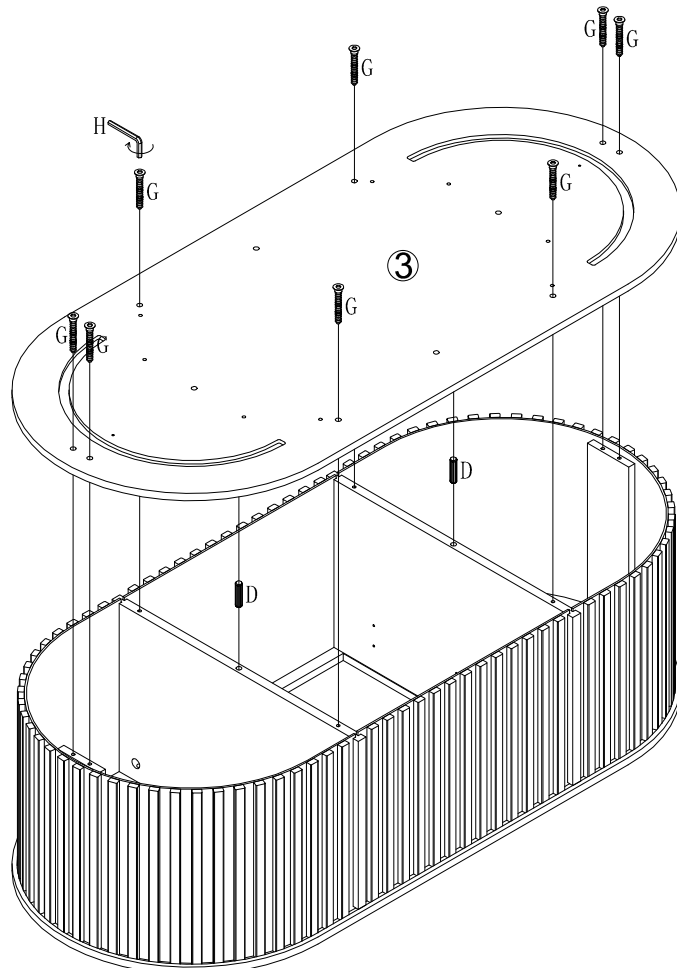
No. D
Quantity: 2 Pcs
8*30mm



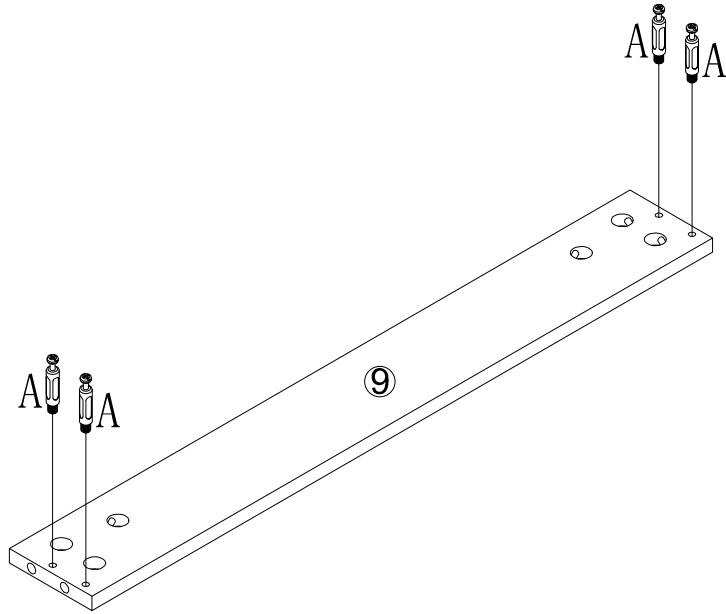
No. G
Quantity: 8 Pcs
M6*40mm



No. H
Quantity: 1 Pcs
4#



STEP 5

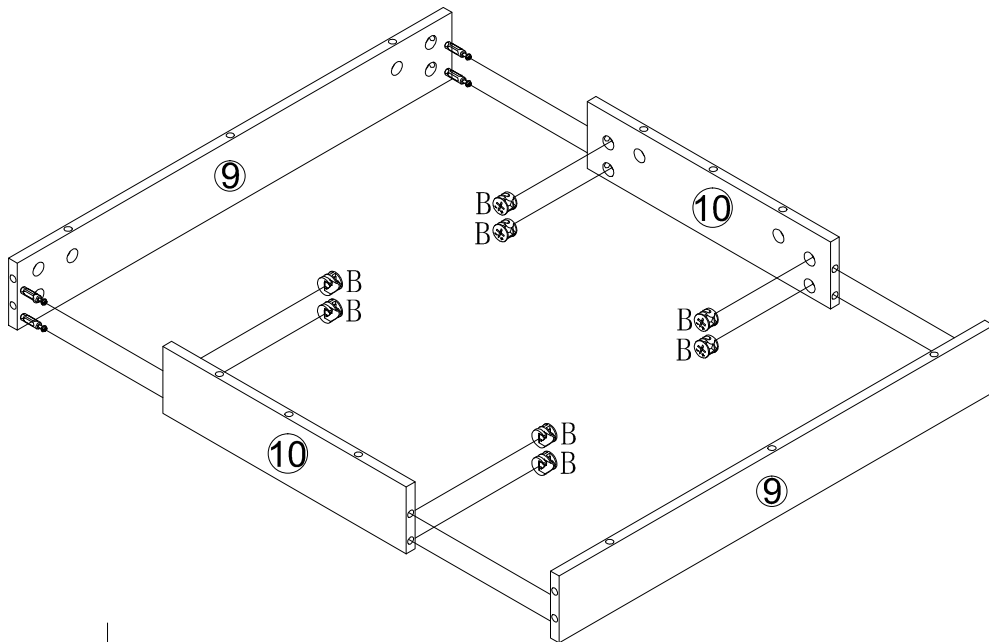


x2

No. A
Quantity: 8 Pcs
8*28mm



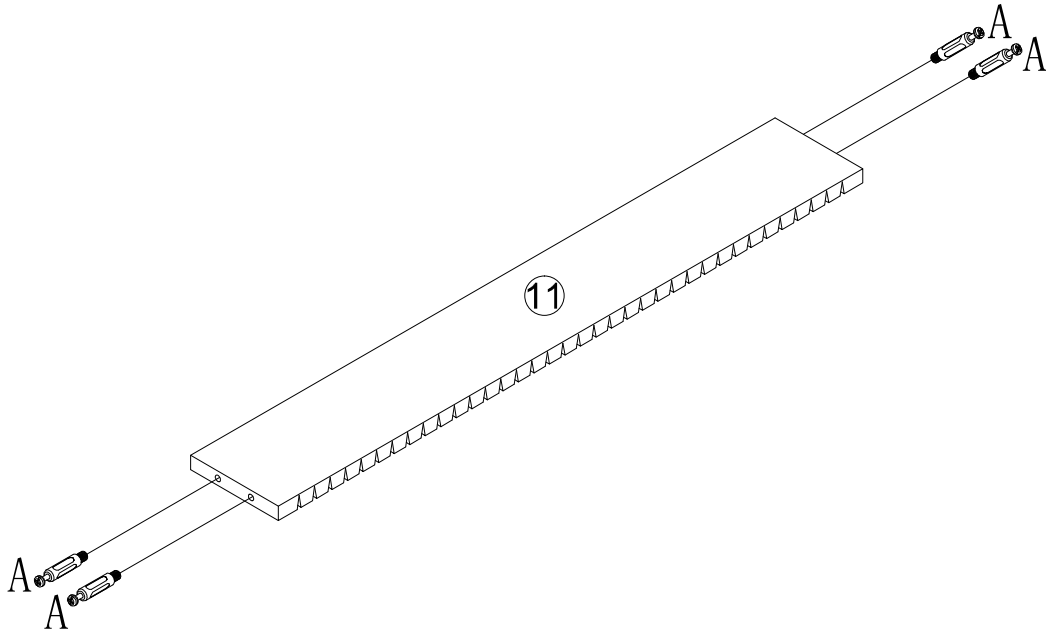
STEP 6



No. B
Quantity: 8 Pcs
Ø15



STEP 7

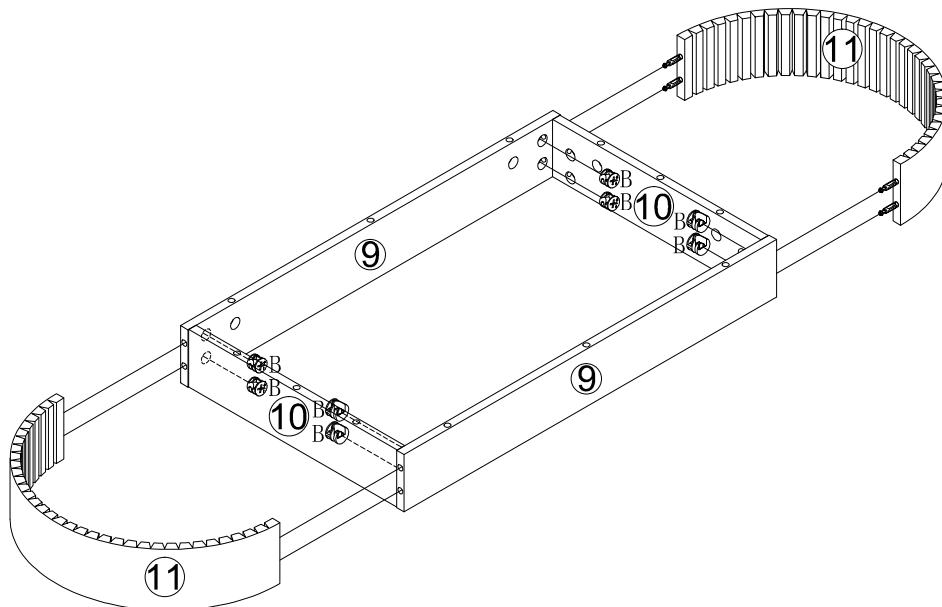


No. A
Quantity: 8 Pcs
8*28mm



x2

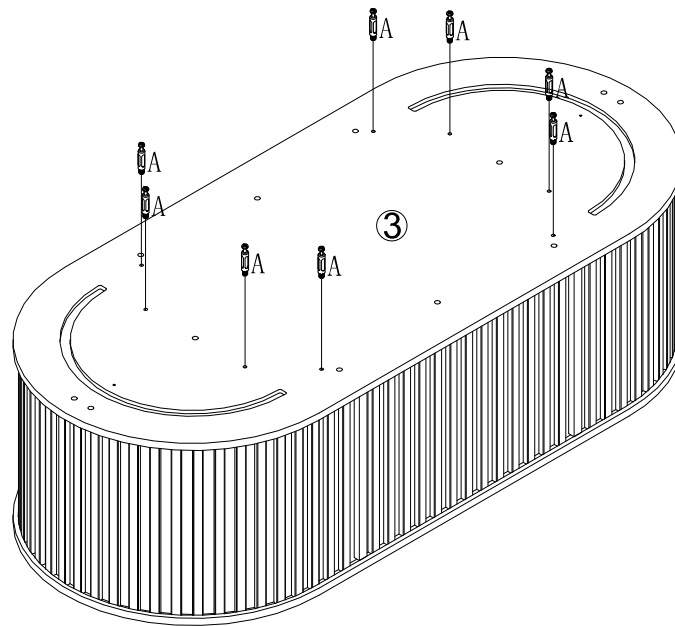
STEP 8



No. B
Quantity: 8 Pcs
Ø15



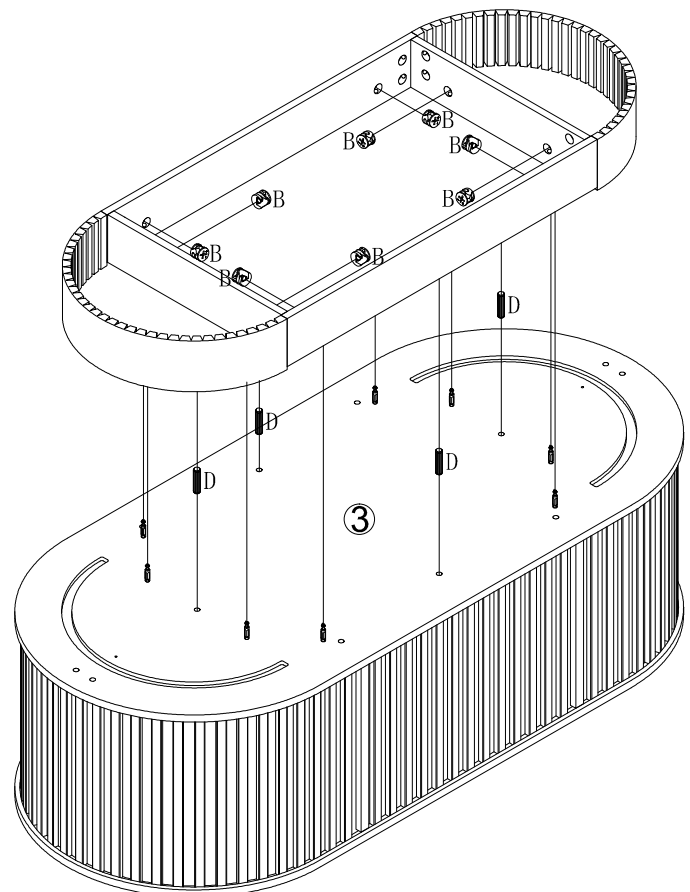
STEP 9



No. A
Quantity: 8 Pcs
8*28mm



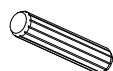
STEP 10



No. B
Quantity: 8 Pcs
Ø15

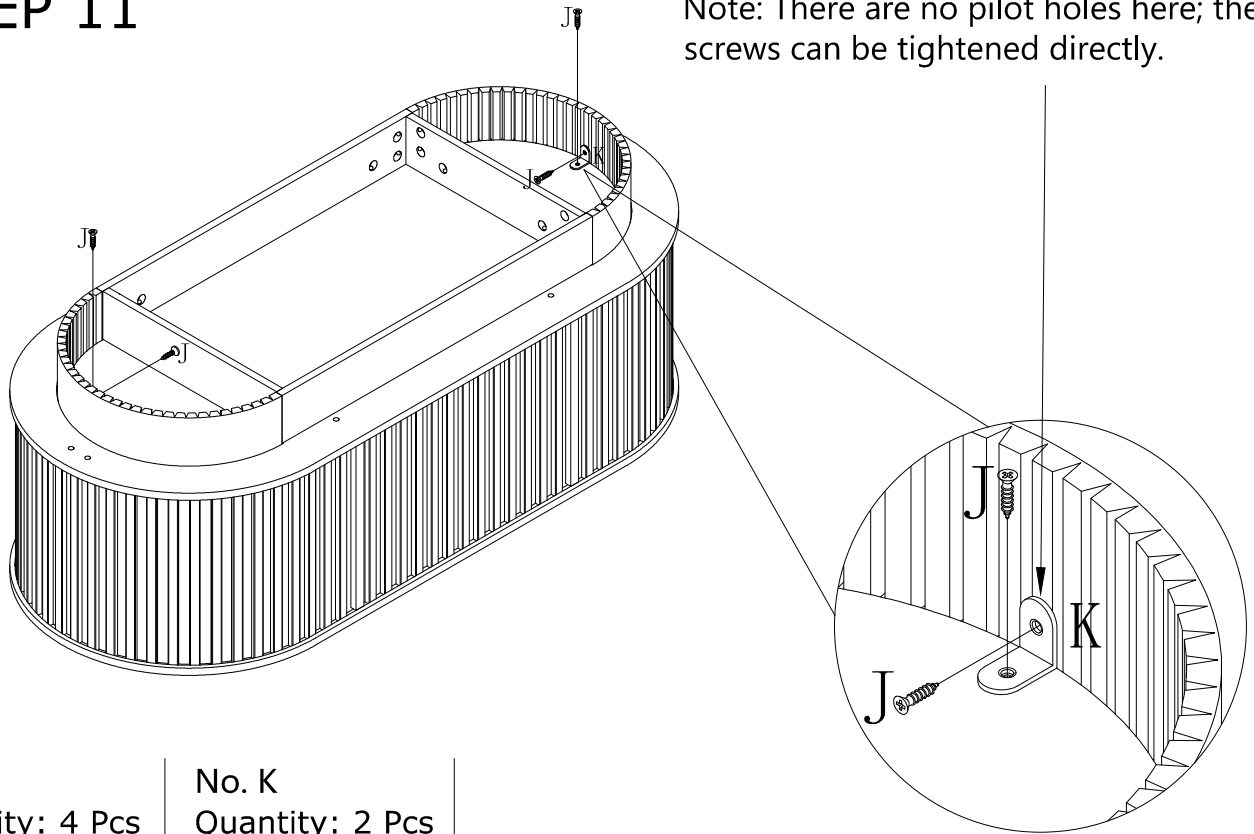


No. D
Quantity: 4 Pcs
8*30mm



STEP 11

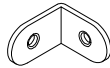
Note: There are no pilot holes here; the screws can be tightened directly.



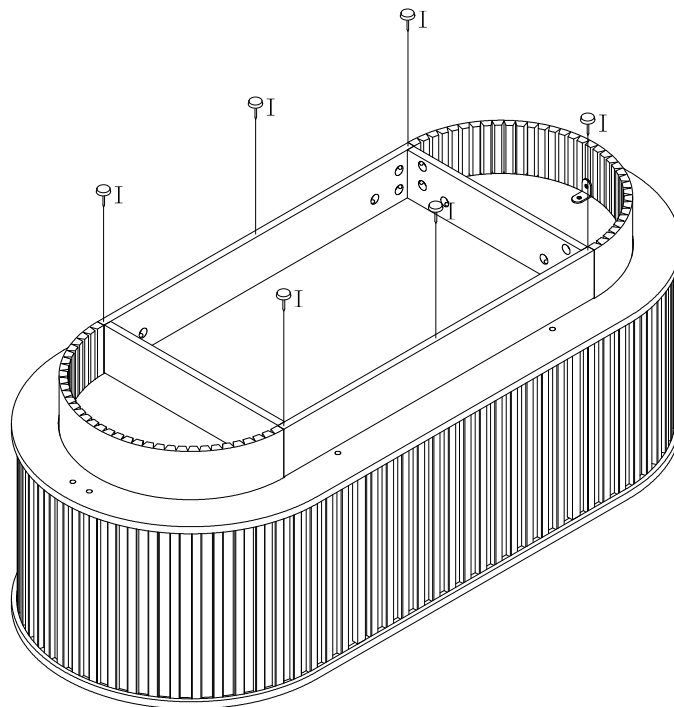
No. J
Quantity: 4 Pcs
M3.5*12mm



No. K
Quantity: 2 Pcs
25*25*1.6



STEP 12

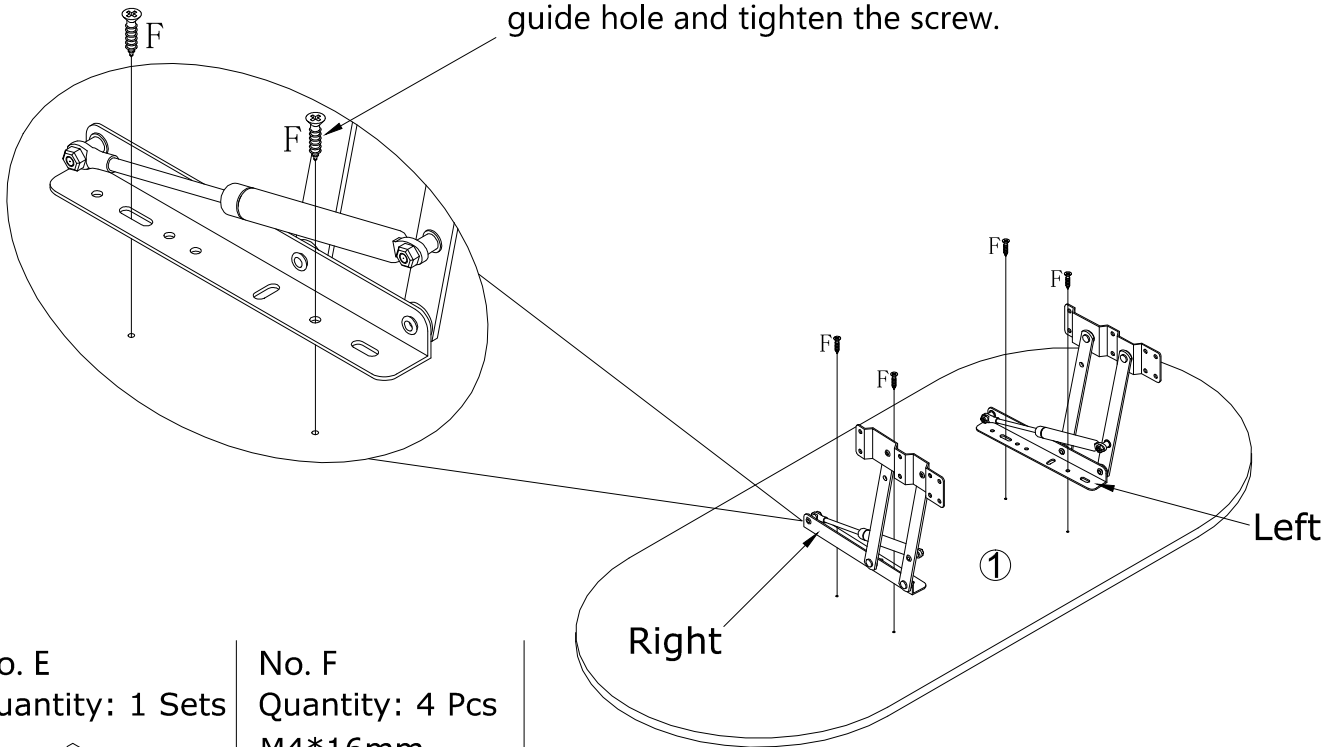


No. I
Quantity: 6 Pcs

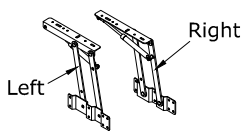


STEP 13

Note: First align the front guide hole, then tighten the screw, and then align the rear guide hole and tighten the screw.



No. E
Quantity: 1 Sets

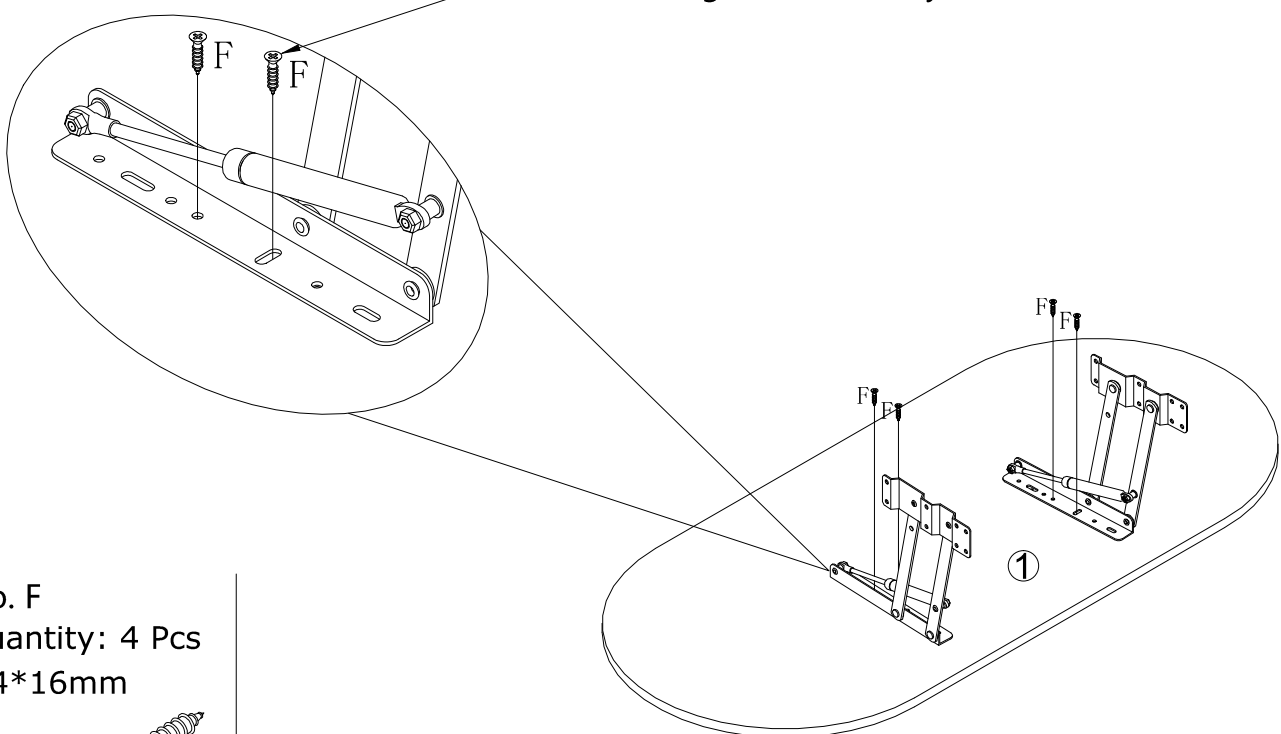


No. F
Quantity: 4 Pcs
M4*16mm



STEP 14

Note: Use screws to reinforce the lifting rod, there are no pilot holes here, the screws can be tightened directly.



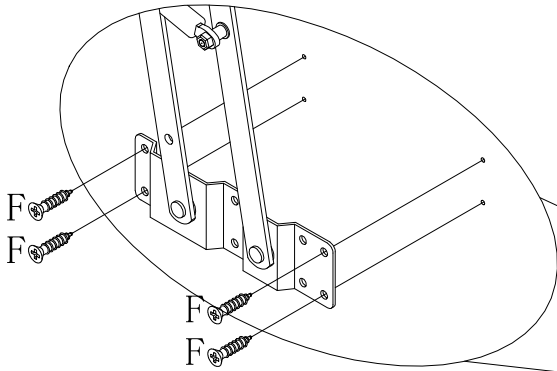
No. F
Quantity: 4 Pcs
M4*16mm



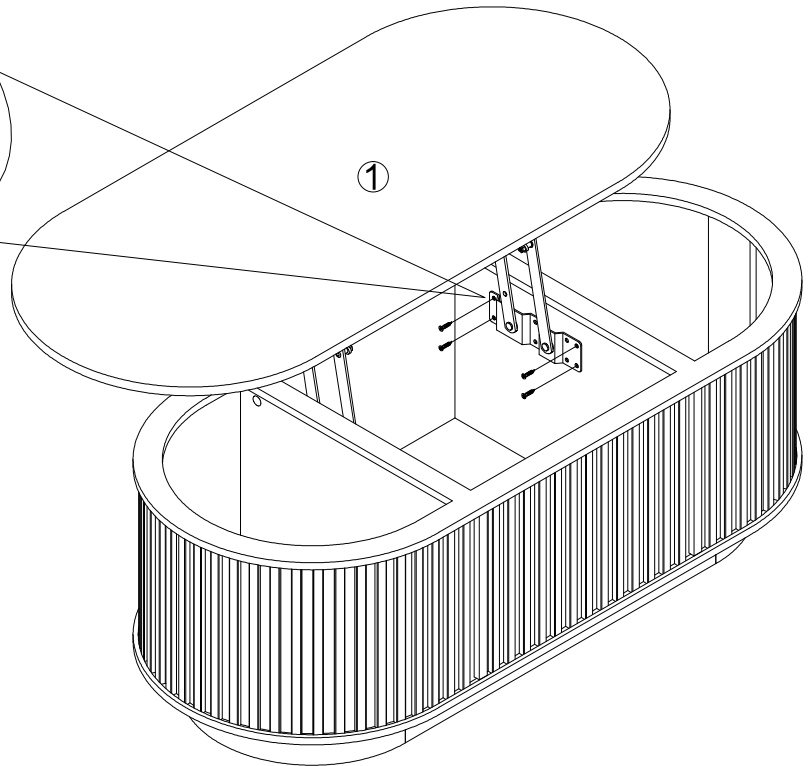
STEP 15



Note: It takes two people to work when installing the No. 2 board, and someone needs to lift the other side to keep it balanced when installing one side.



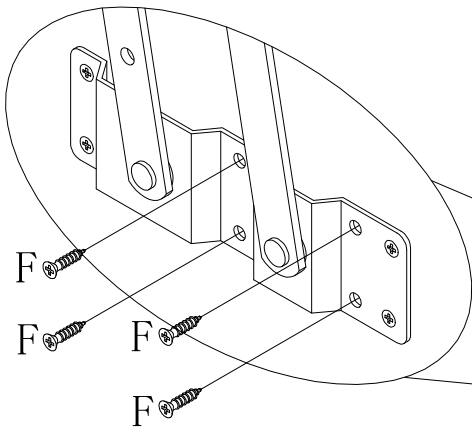
Note: First, align the two holes of the lifting rod with these two guide holes and tighten them with screws.



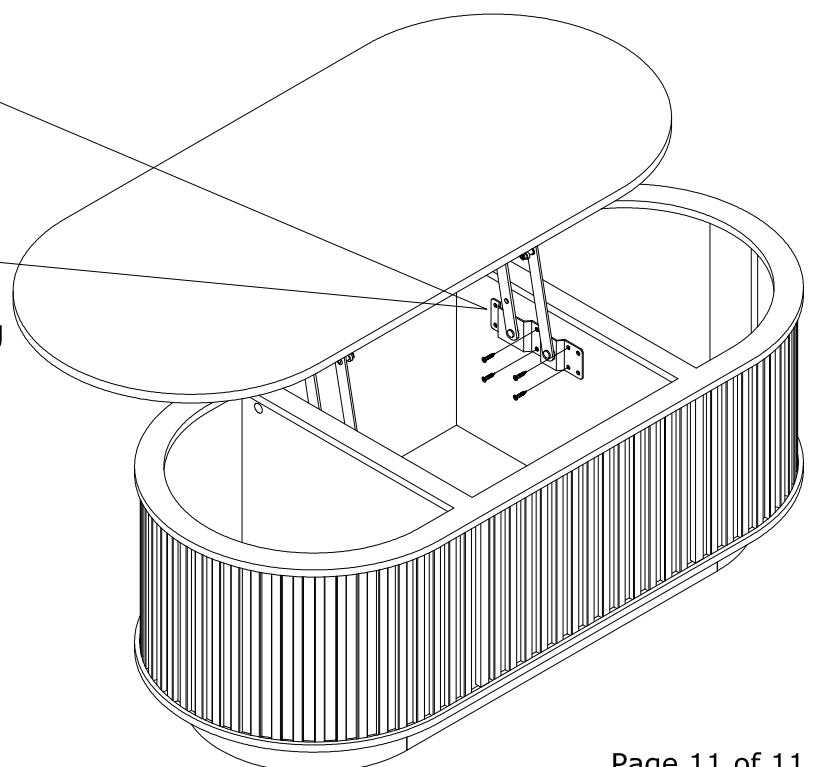
No. F
Quantity: 8 Pcs
M4*16mm



STEP 16



Note: Use screws to reinforce the lifting rod, there are no pilot holes here, the screws can be tightened directly.



No. F
Quantity: 8 Pcs
M4*16mm

