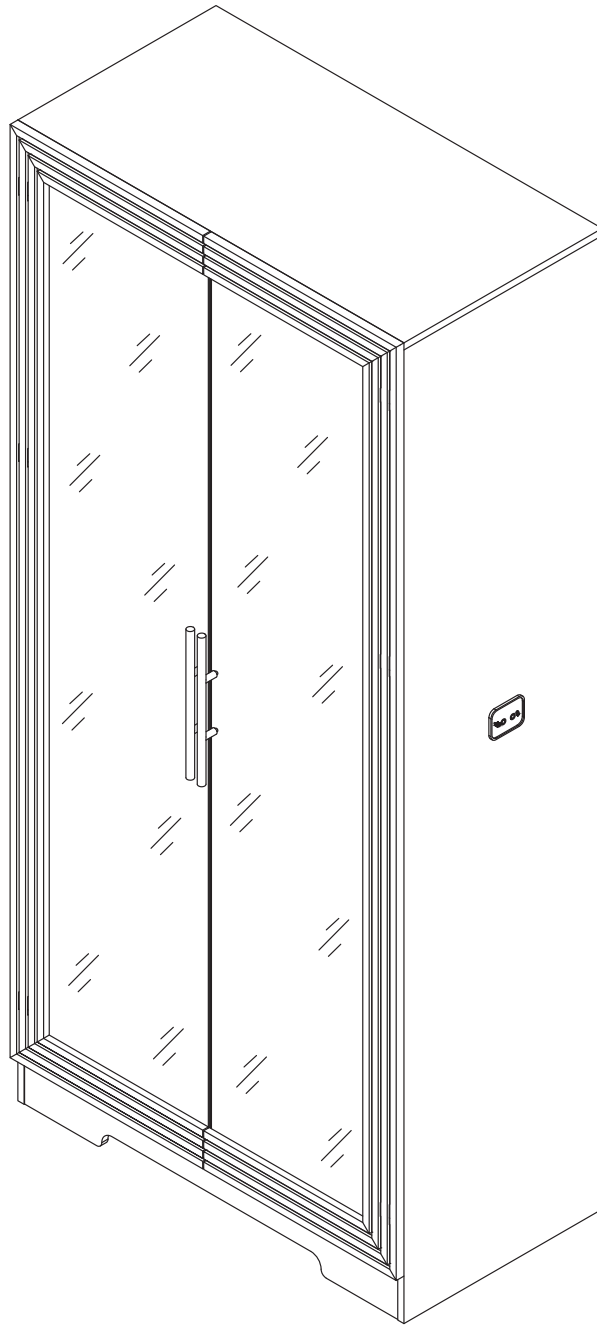
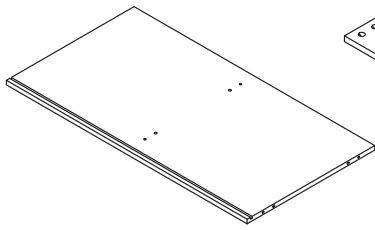
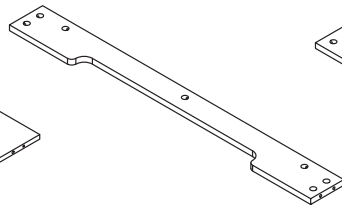


Product Installation Instructions

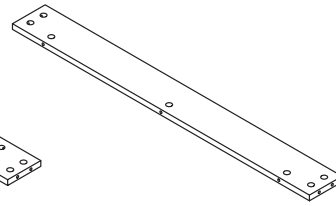




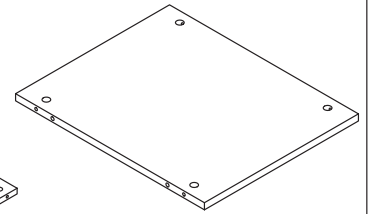
A x1



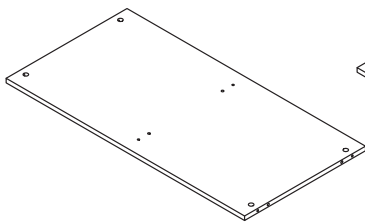
B x1



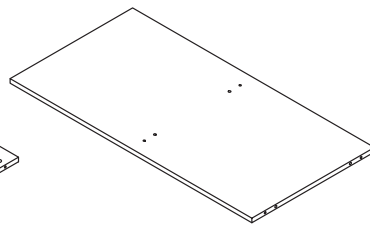
C x1



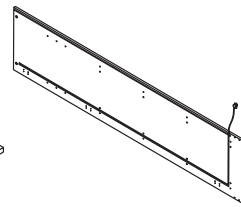
D x2



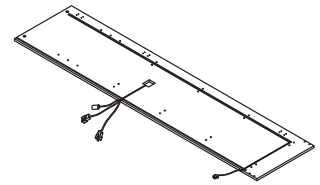
E x2



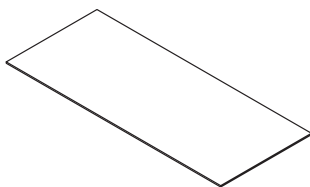
F x1



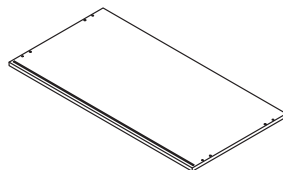
G x1



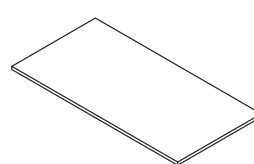
H x1



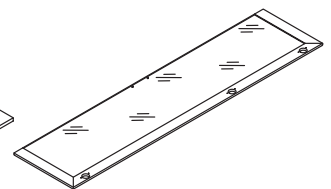
I x3



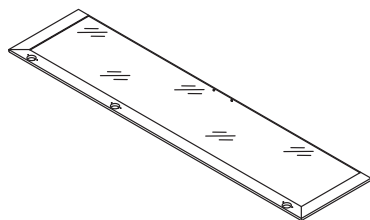
J x1



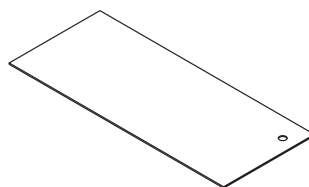
K x1



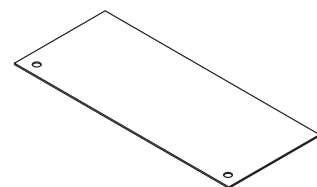
L x1



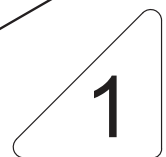
M x1



N x1



O x1

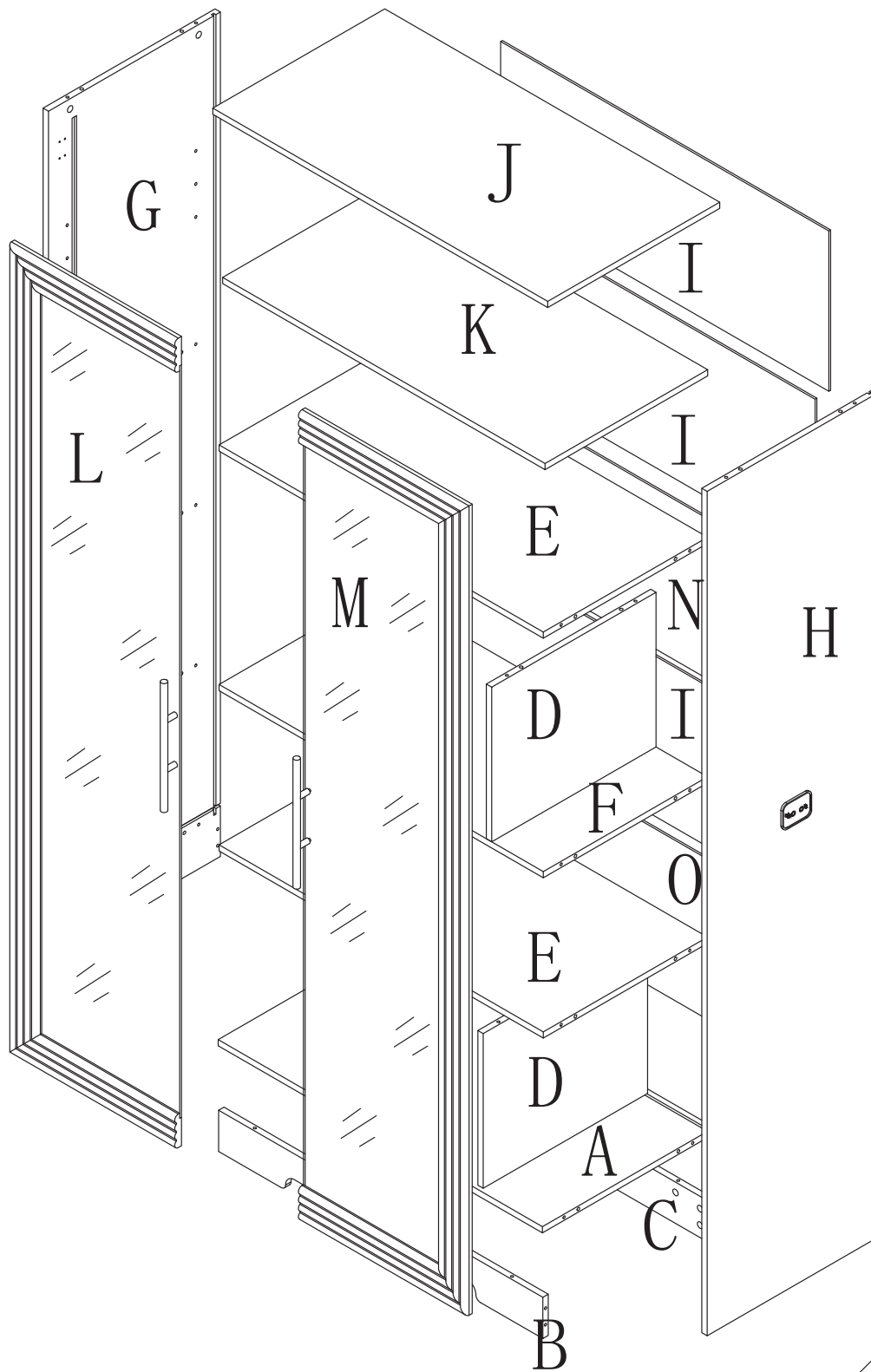


1

Accessories list

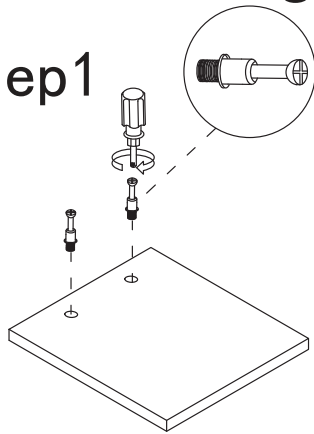
①		Two In One Screw (6x28mm)	42pcs +3pcs
②		Two In One Nut (10x12mm)	42pcs +3pcs
③		Wood Chipping (6x30mm)	28pcs +1pcs
④		Non-slip pads (50x10x2mm)	6pcs +2pcs
⑤		Laminate support nail	4pcs +1pcs
⑥		Hinge & Screw (3.5x14mm)	36pcs +4pcs 6pcs
⑦		Handle (224) & Screw (4x12mm)	2pcs 4pcs +1pcs
		Glue gaskets Iron gaskets	4pcs +1pcs 4pcs +1pcs
⑧		Fixing clip & screw (3x16mm)	12pcs +2pcs
⑨		Clamp	3pcs +2pcs
⑩		Foot nail	3pcs +2pcs
⑪		Back panel fasteners (720mm)	1pcs
⑫		AC/DC Adapter (12V=3A)	1pcs
⑬	Anti Fall Hardware		1pcs
	Double-head screwdriver, use as required	2	

Product structure decomposition

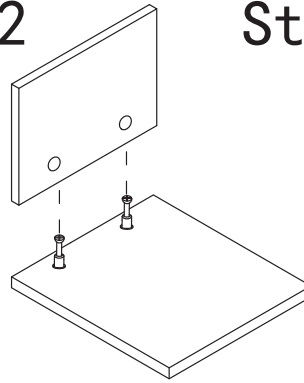


Use parts ① and ②

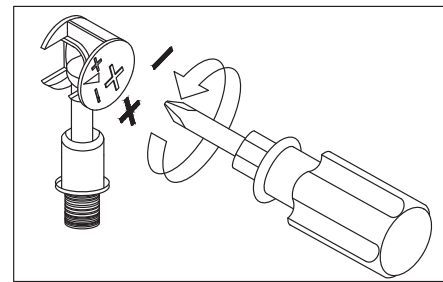
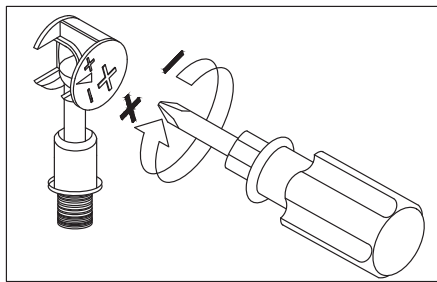
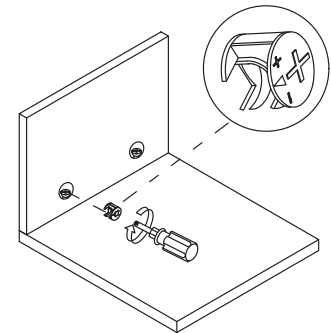
Step1



Step2



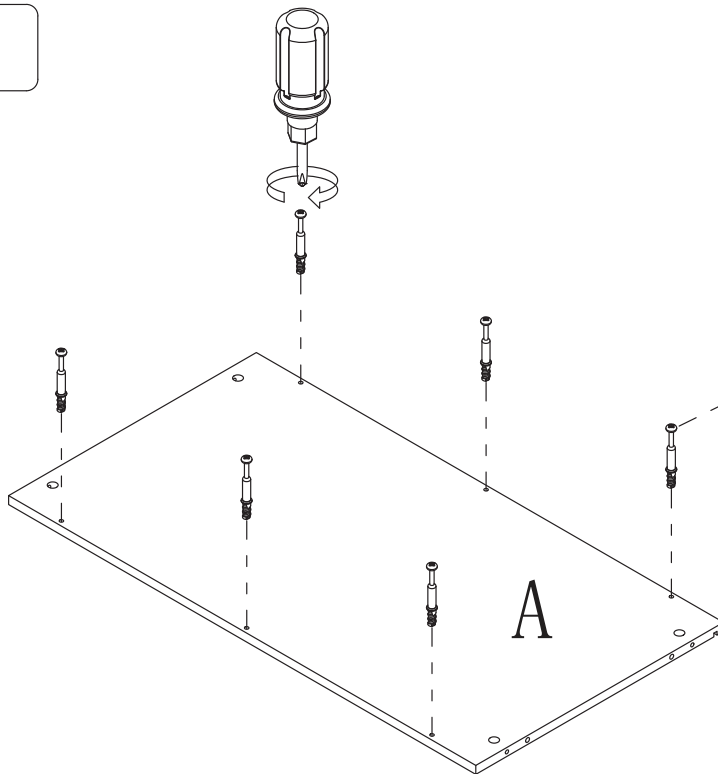
Step3



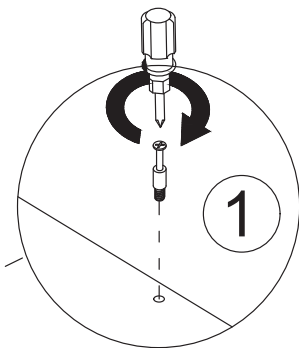
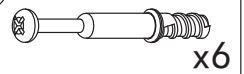
Use a screwdriver to lock in the direction of the "+" sign

Disassemble along the direction of "-" sign

Step 1

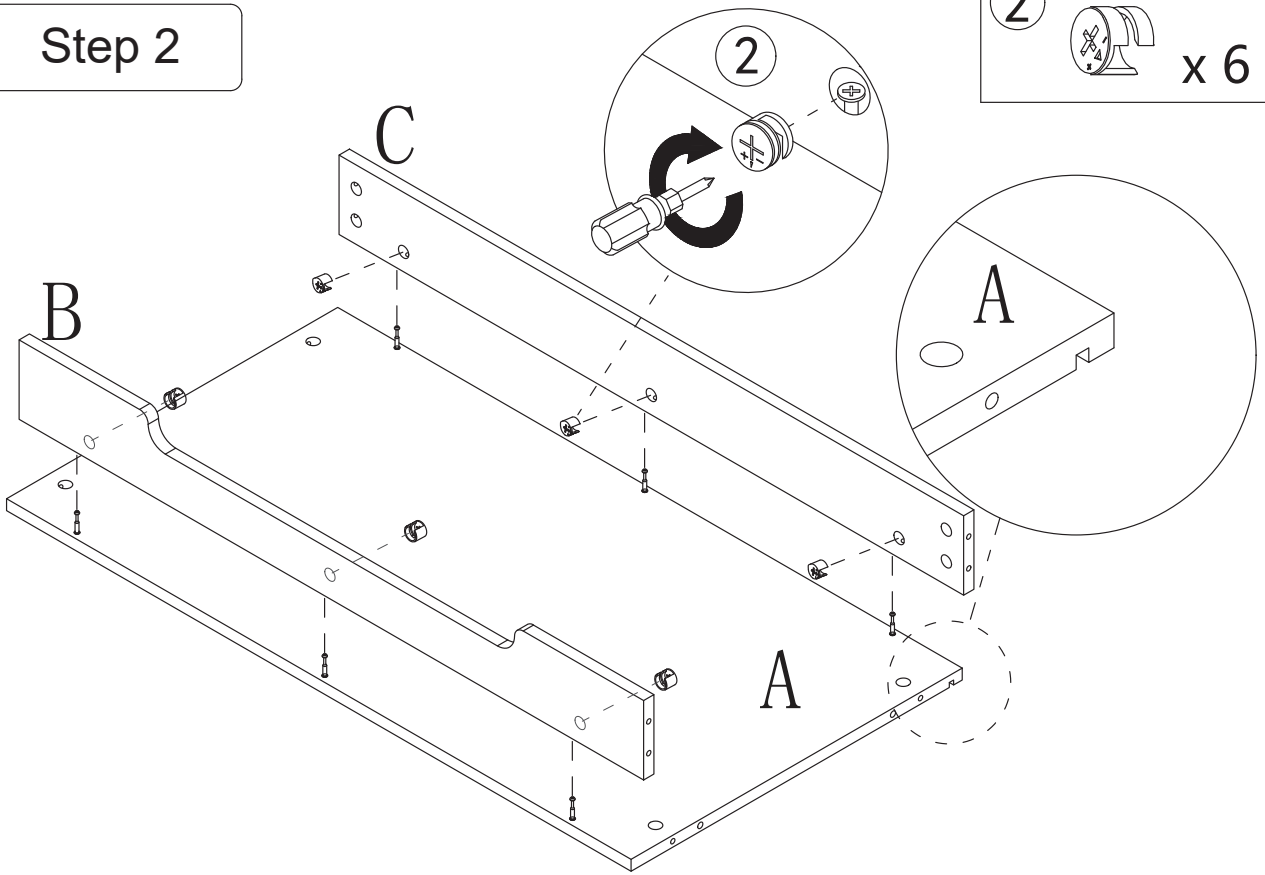


①

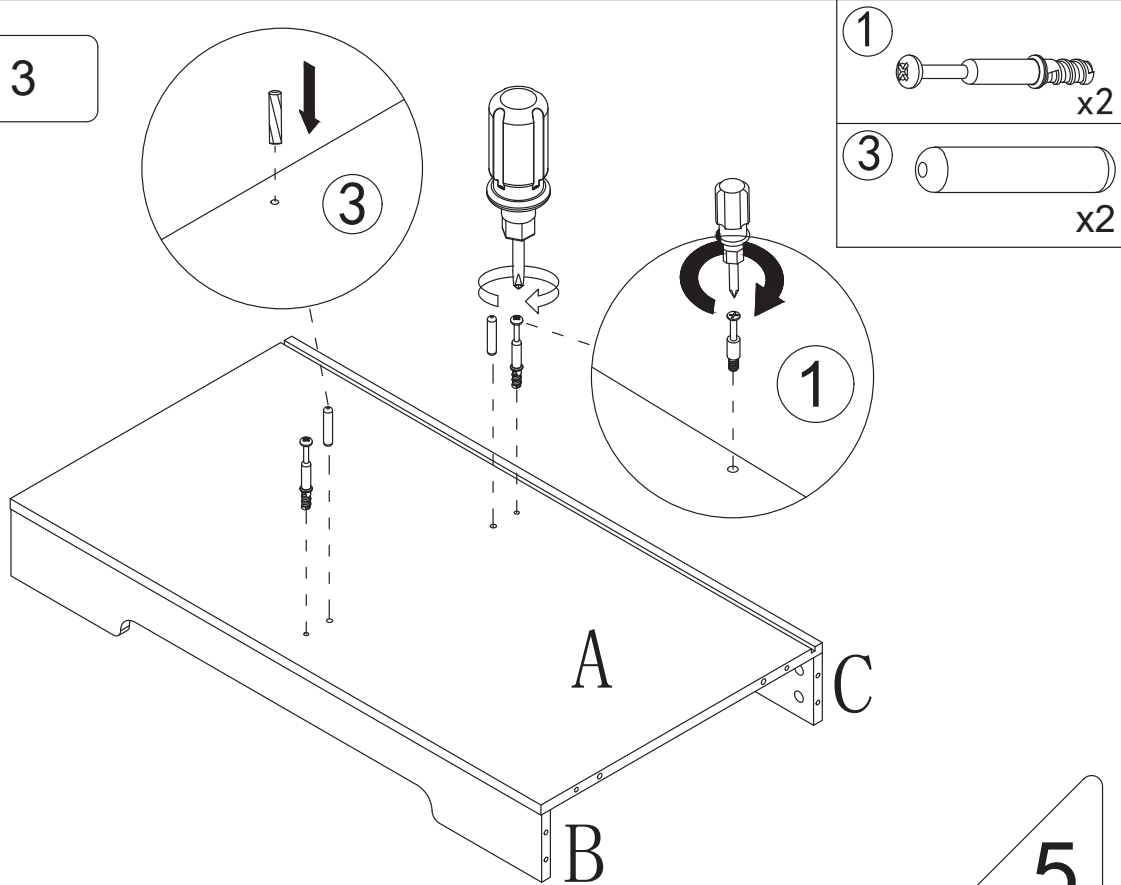


4

Step 2



Step 3

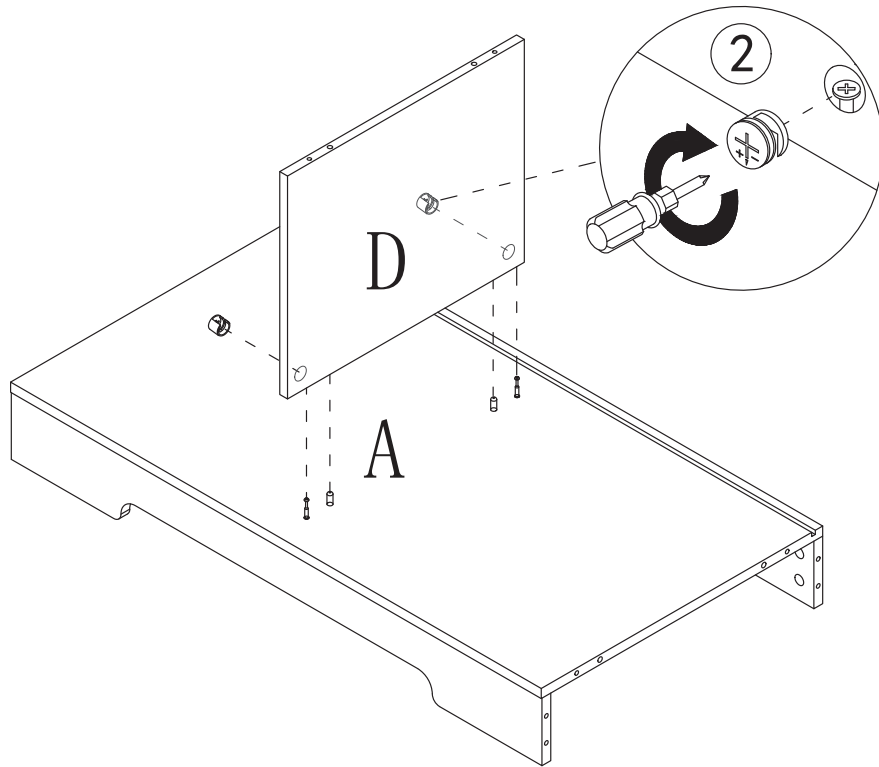


Step 4

2



x 2

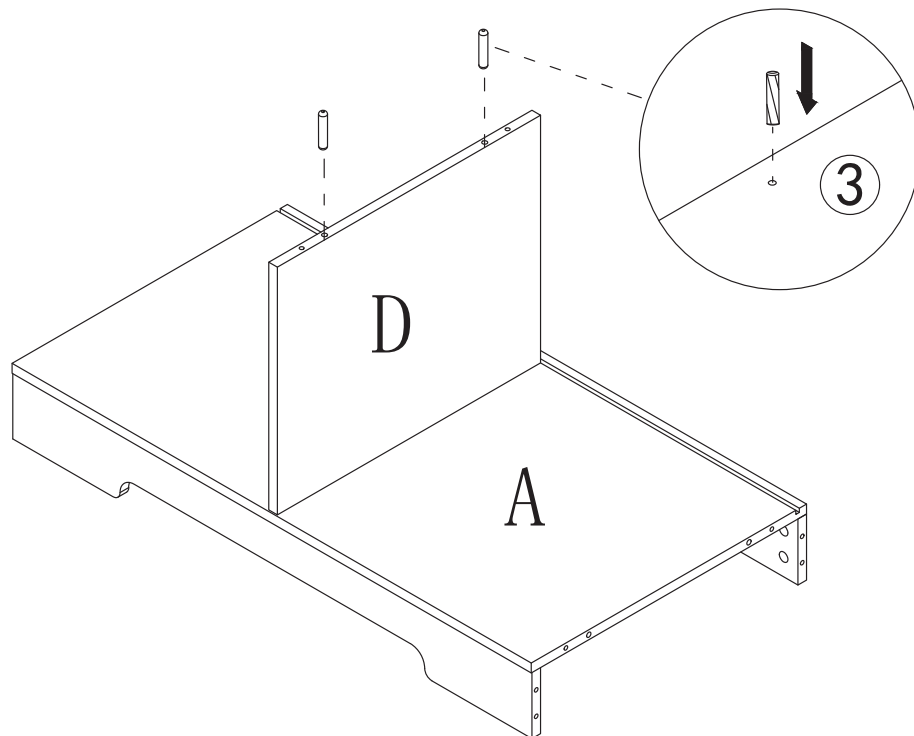


Step 5

3

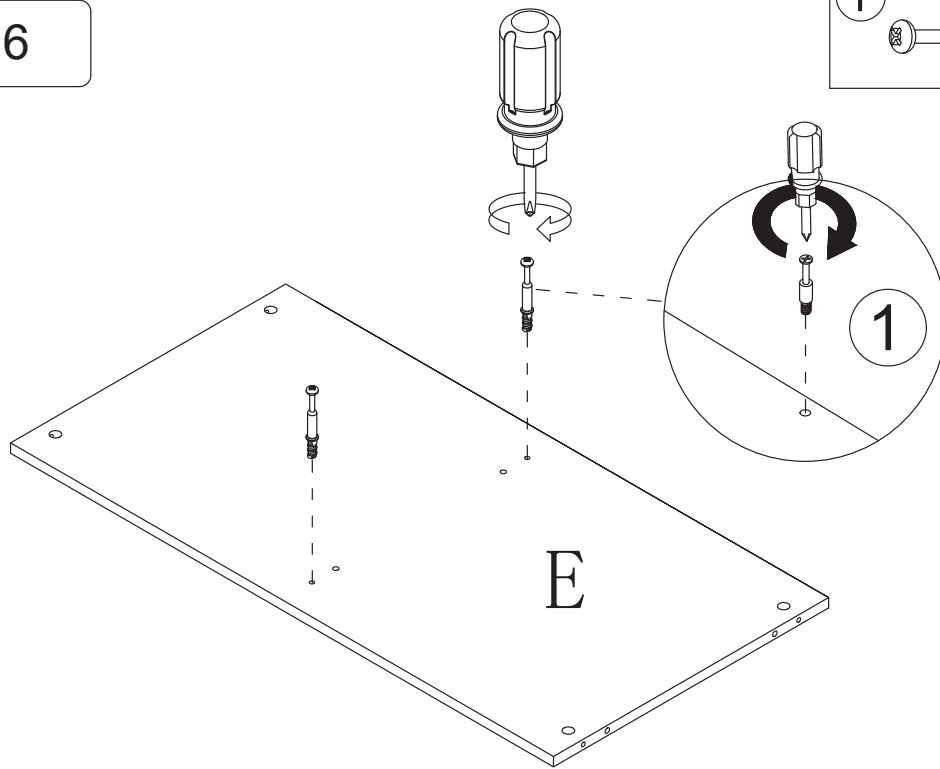
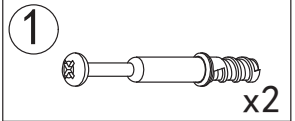


x2

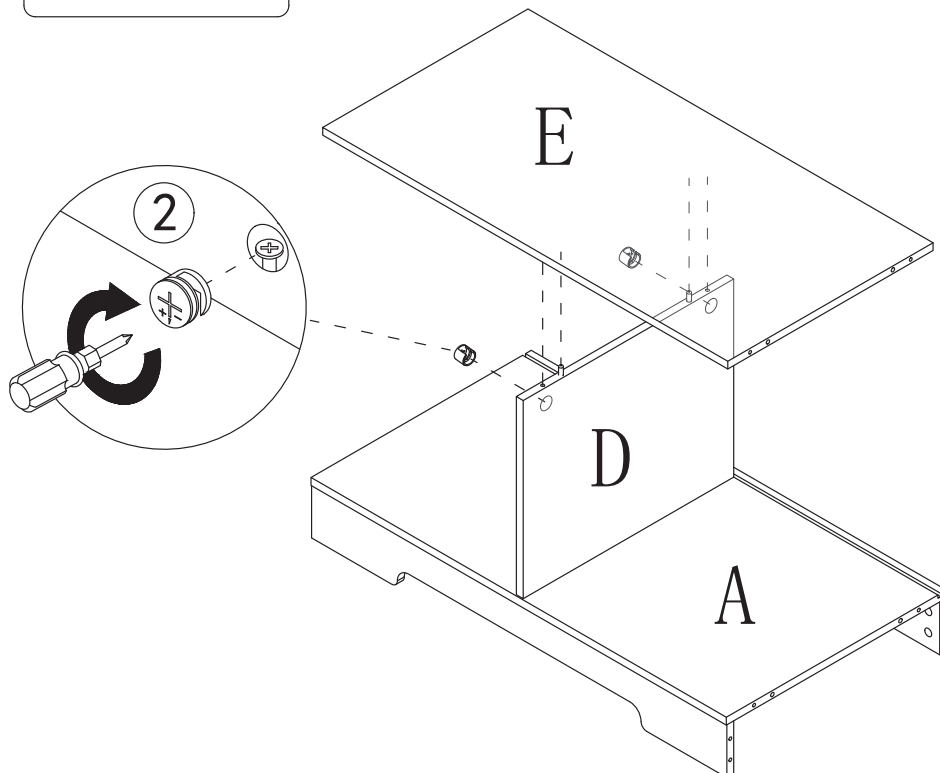


6

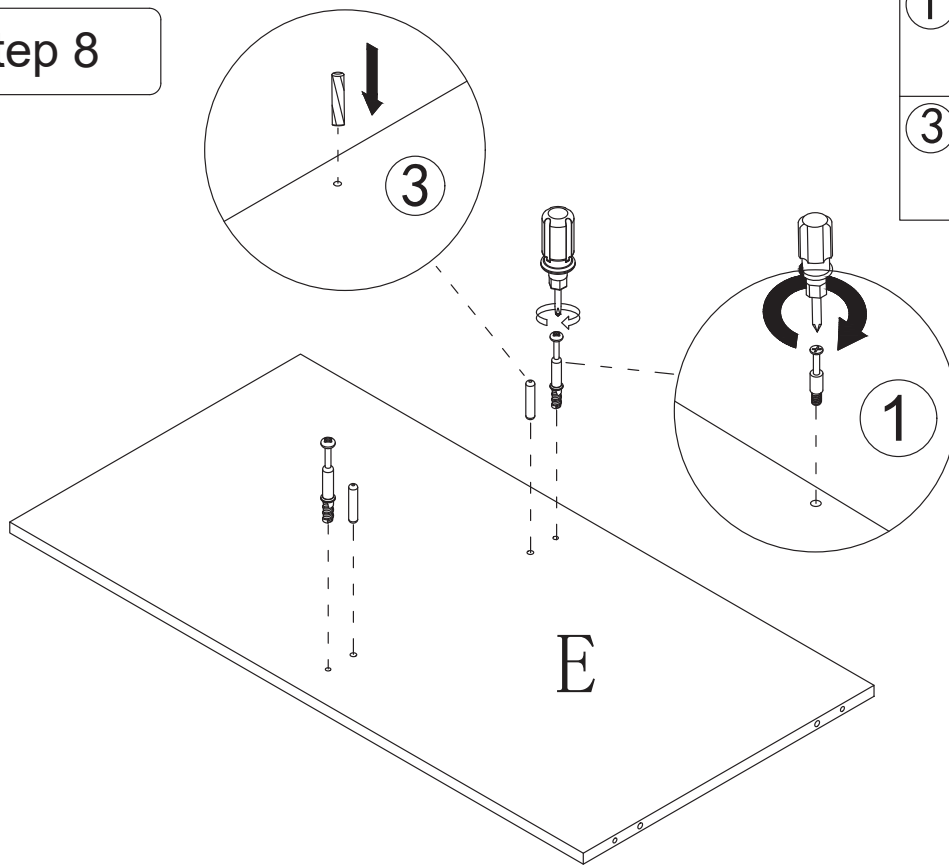
Step 6



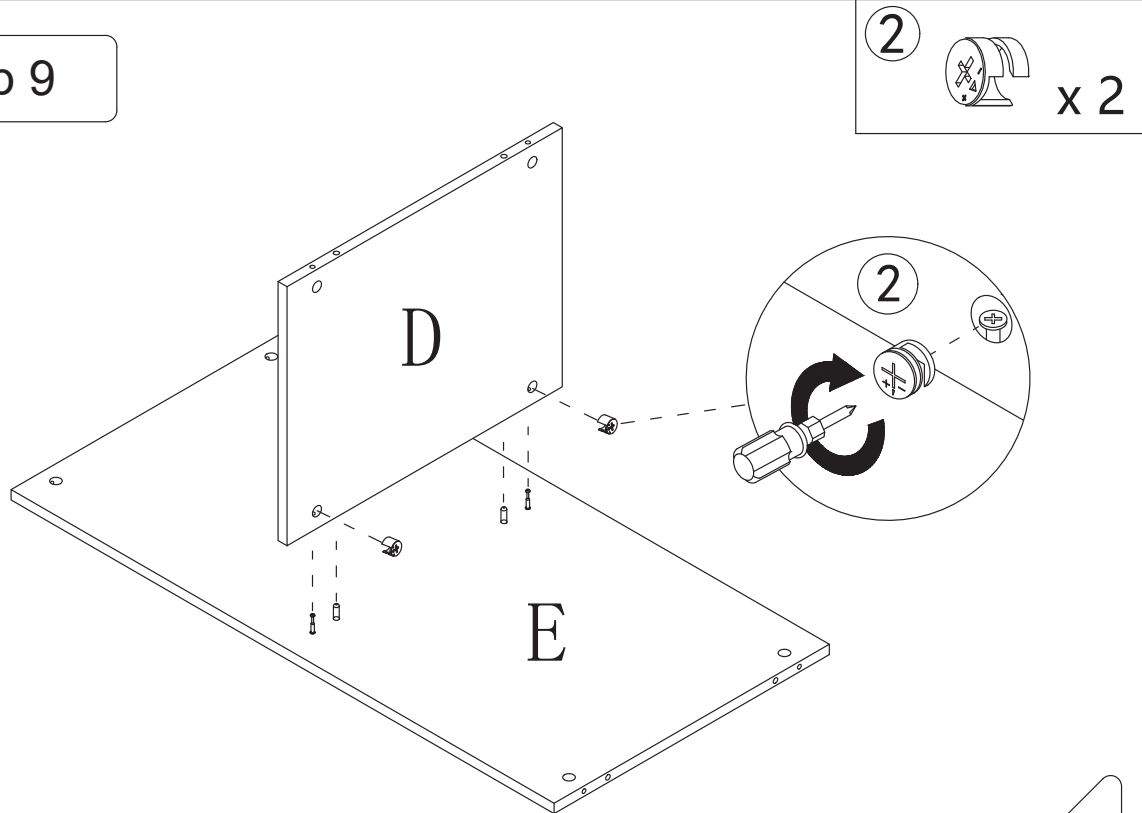
Step 7



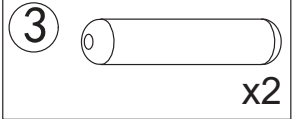
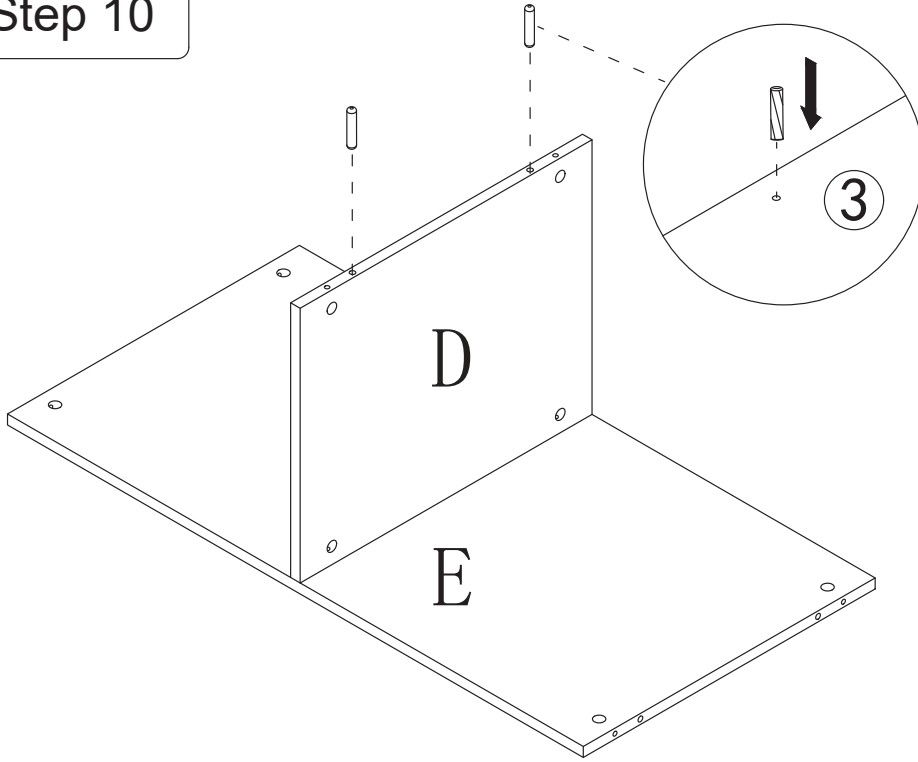
Step 8



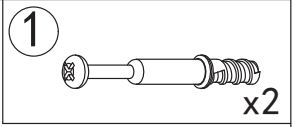
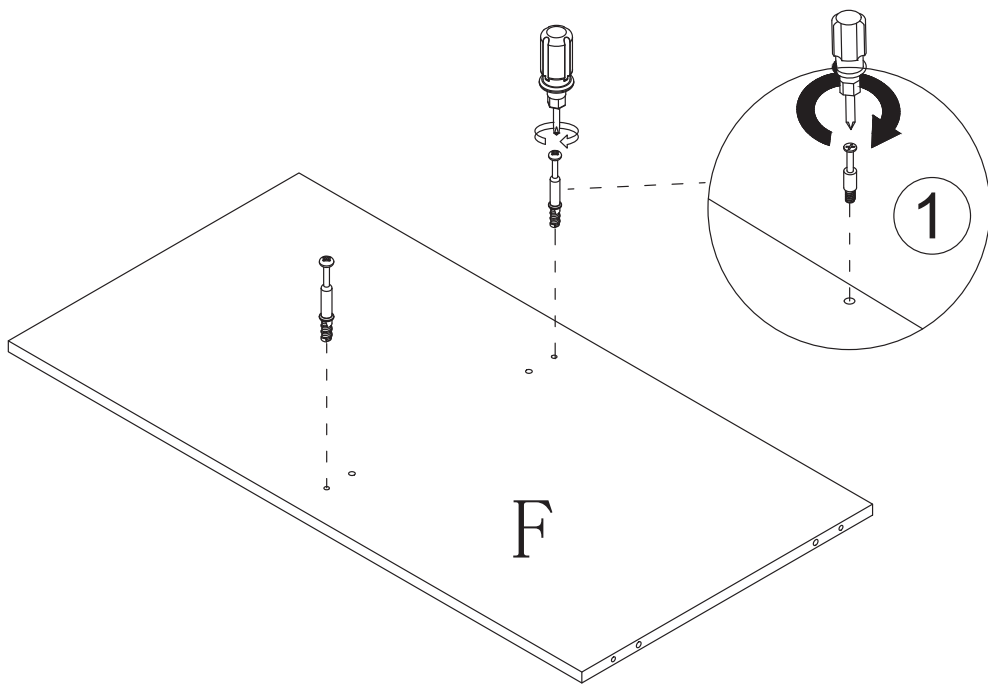
Step 9



Step 10



Step 11

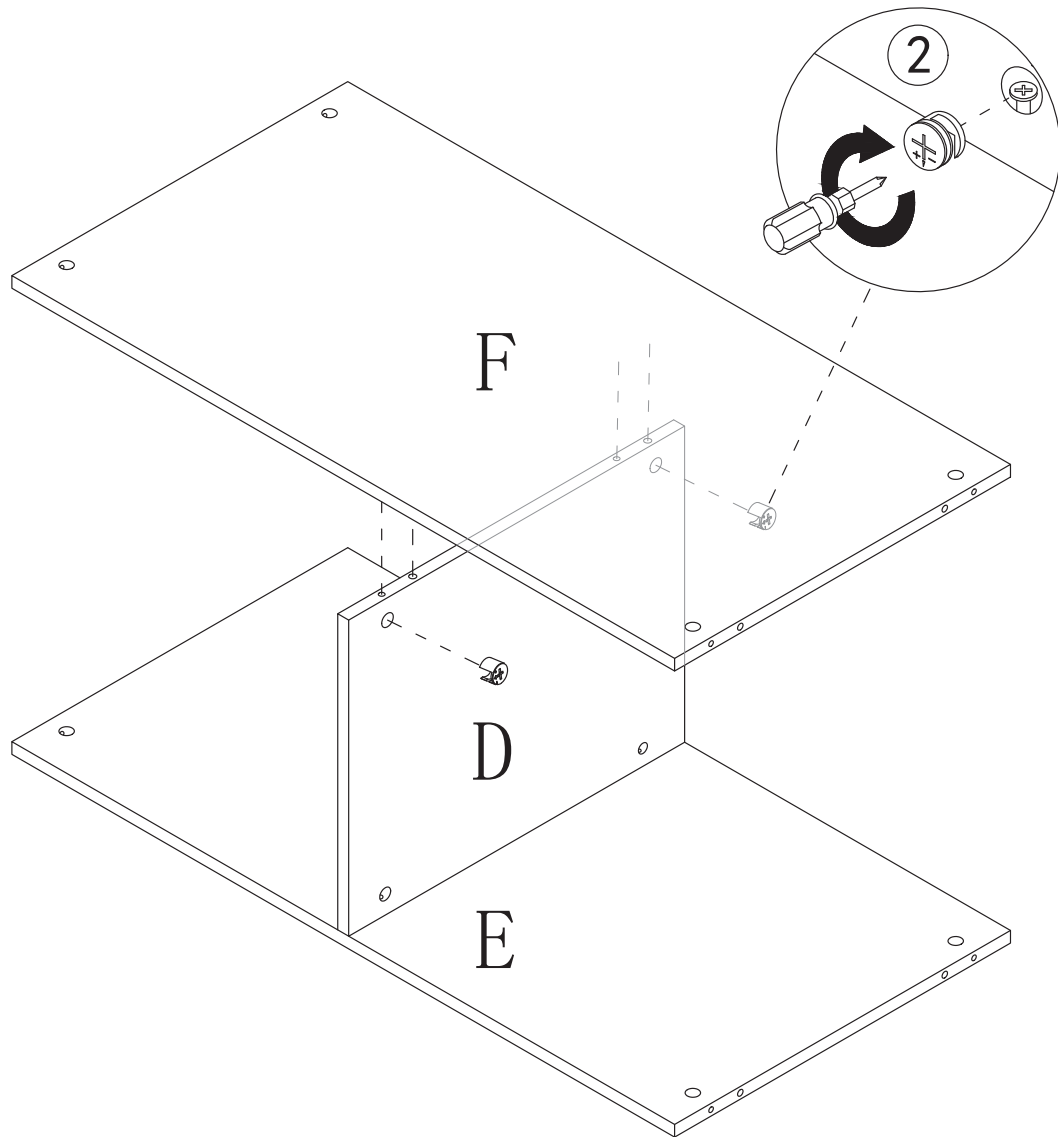


Step 12

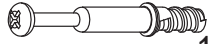

2

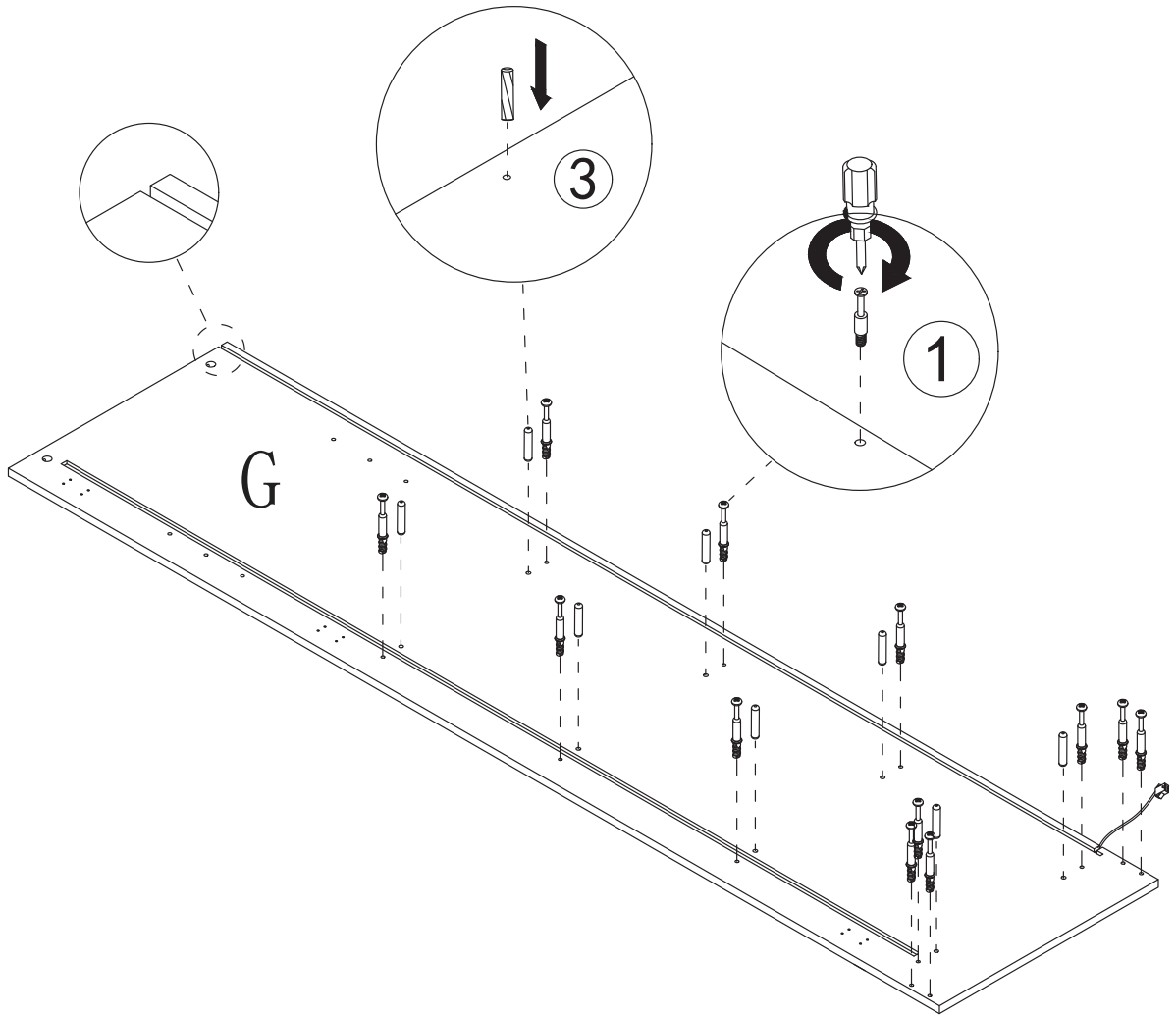


x 2



Step 13

- ①  x12
- ③  x8

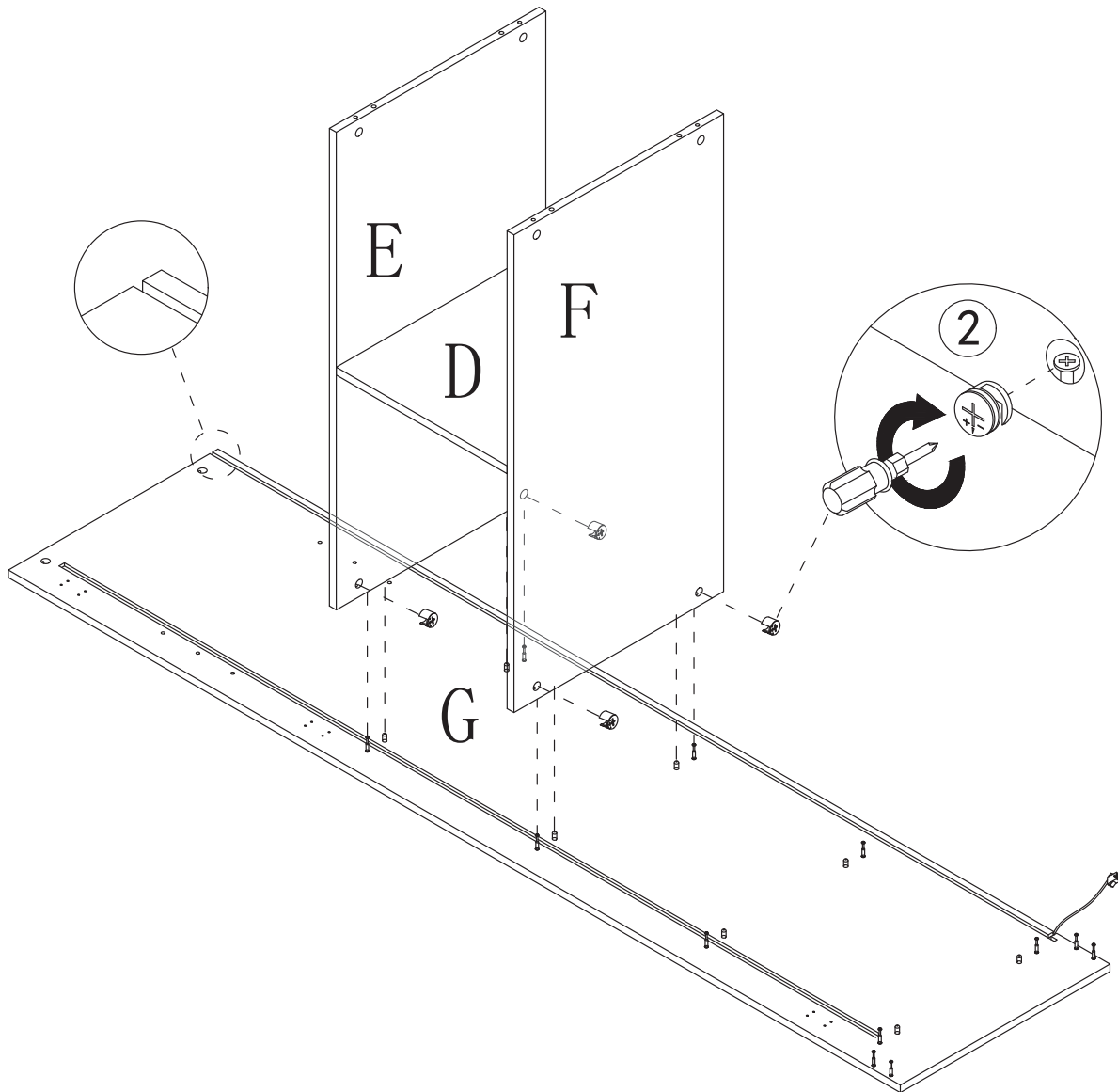


Step 14

2



x 4

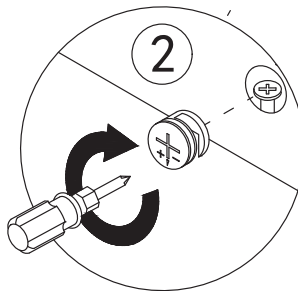
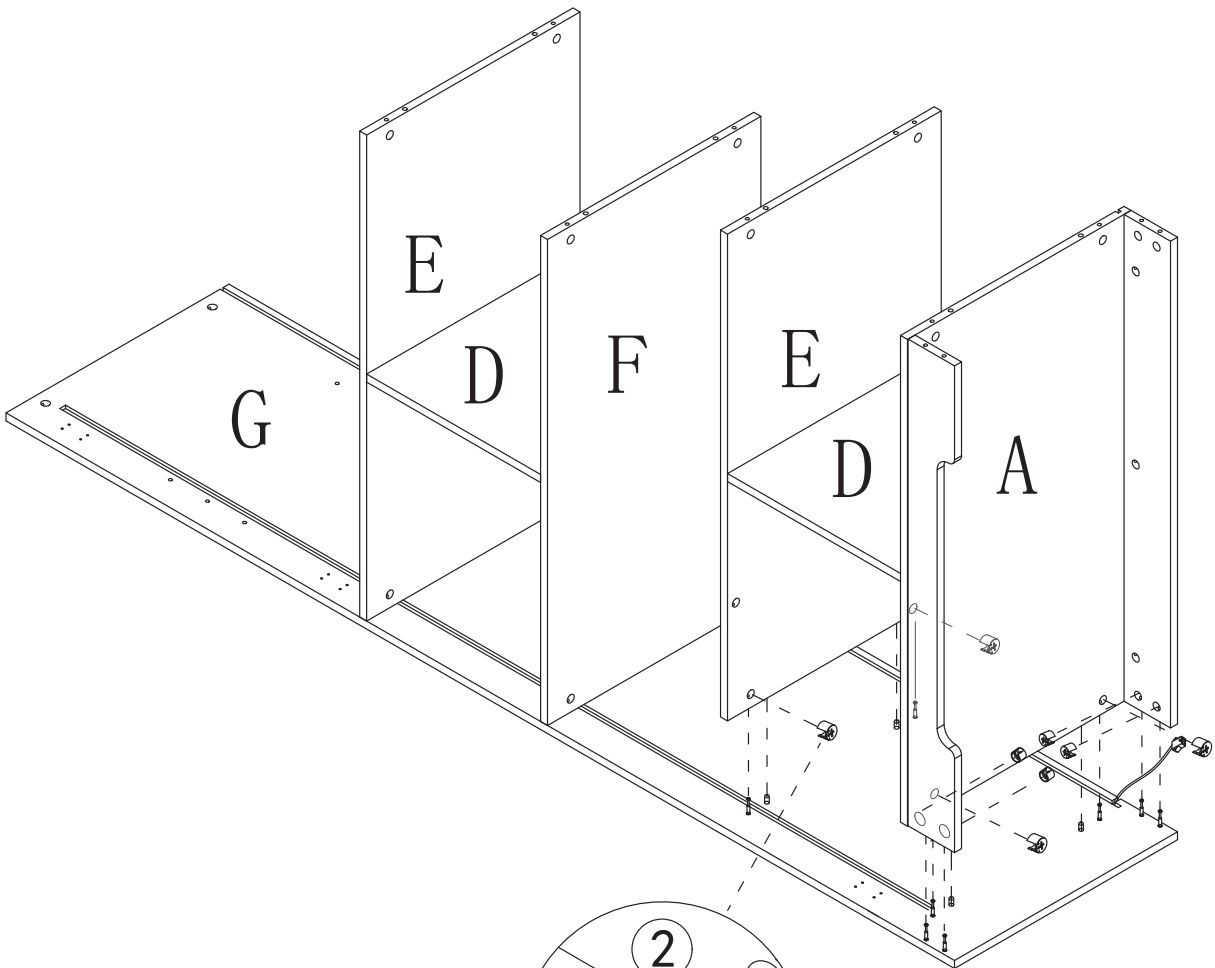


Step 15

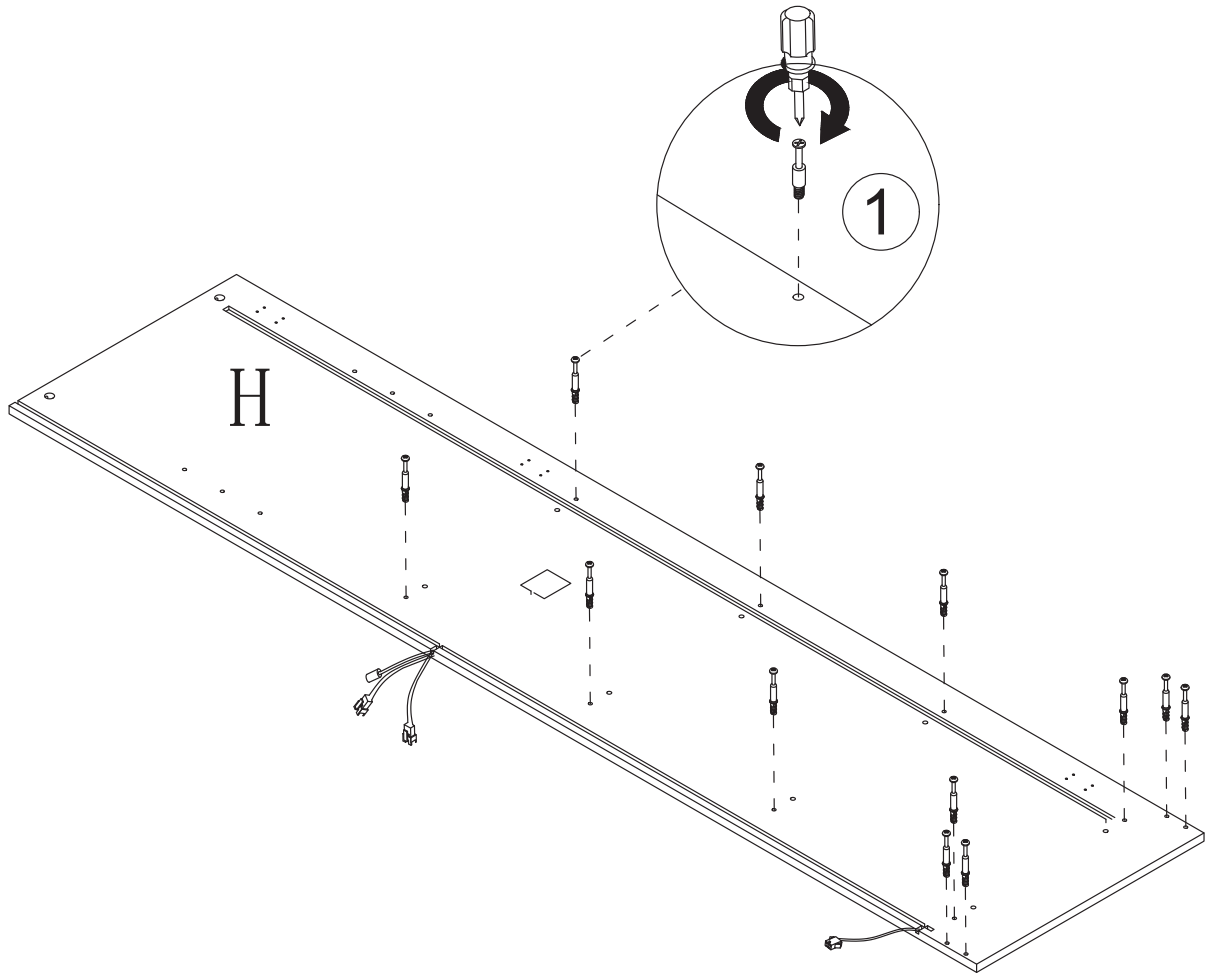
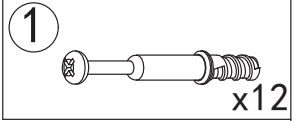
2



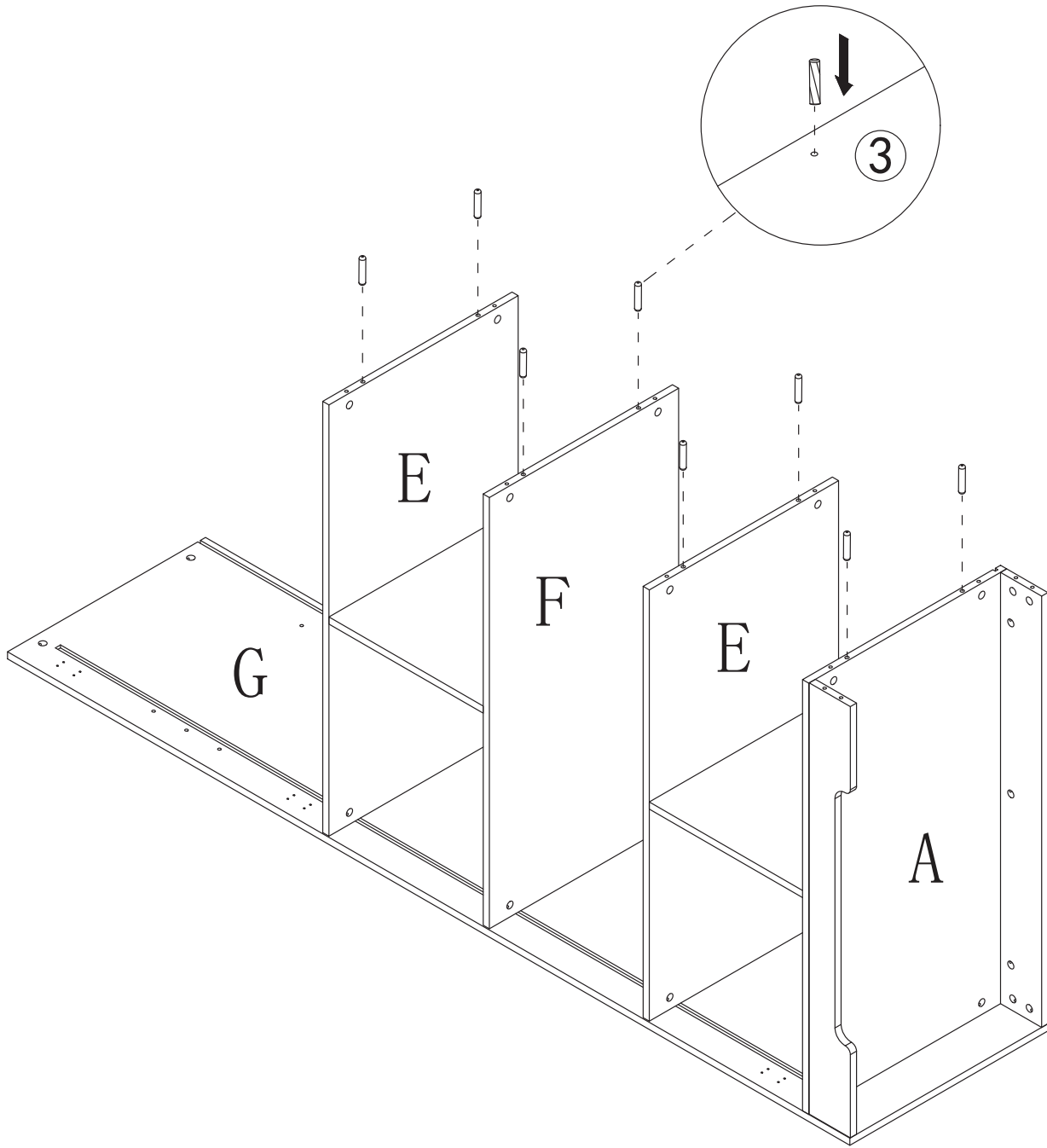
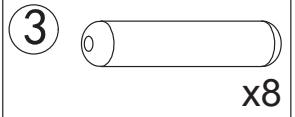
x 8





Step 16

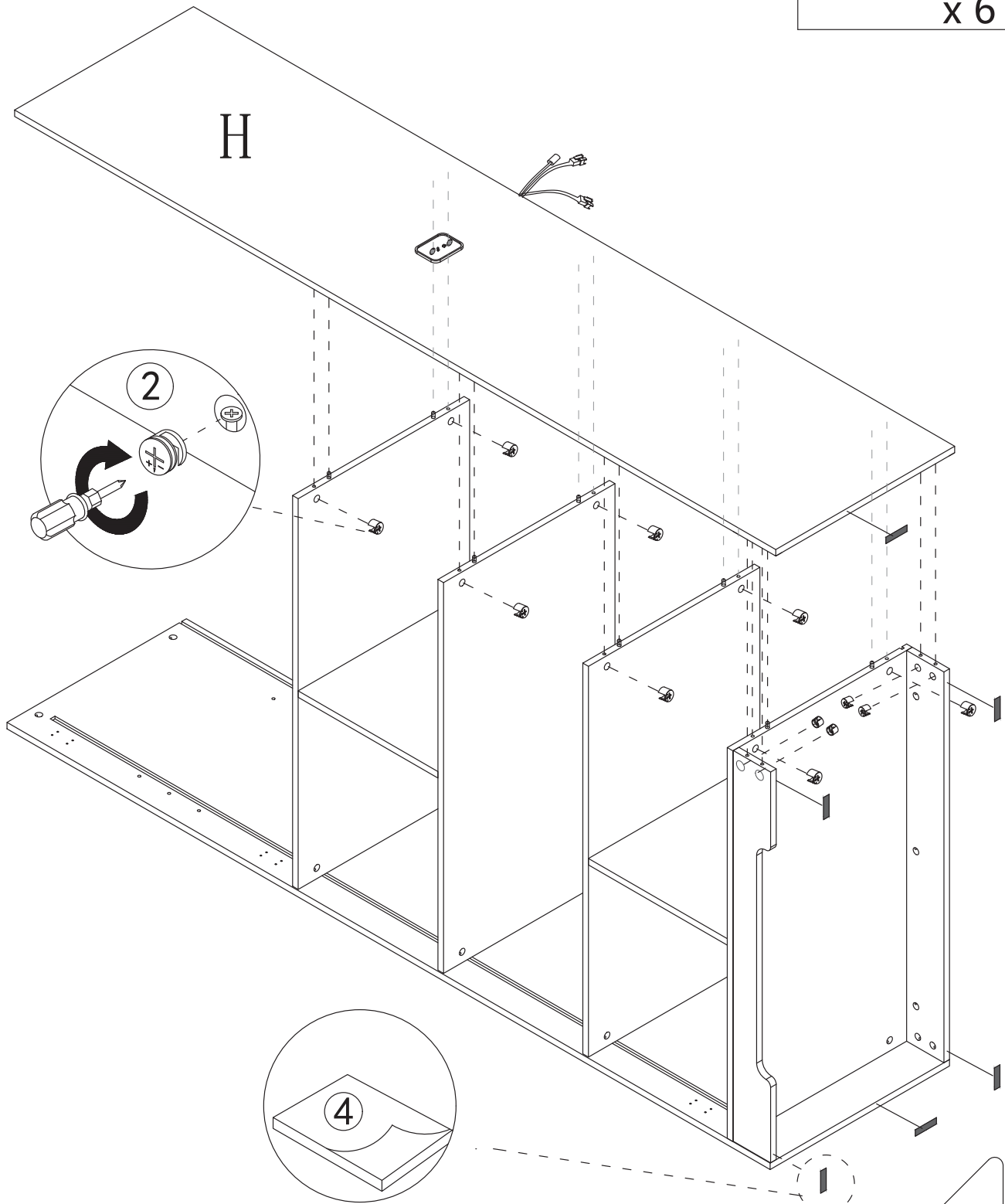


Step 17



Step 18

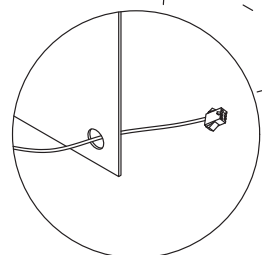
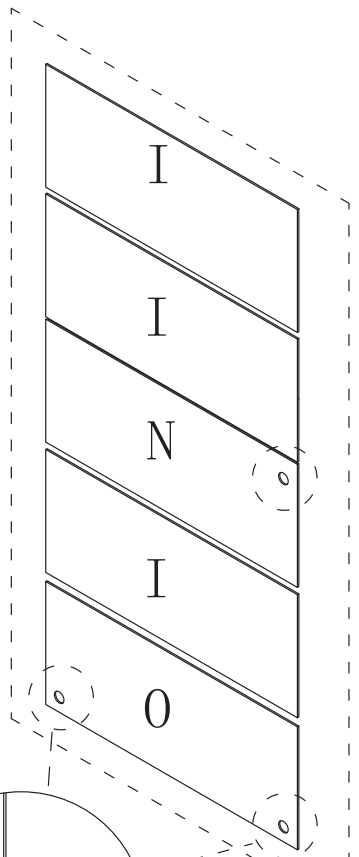
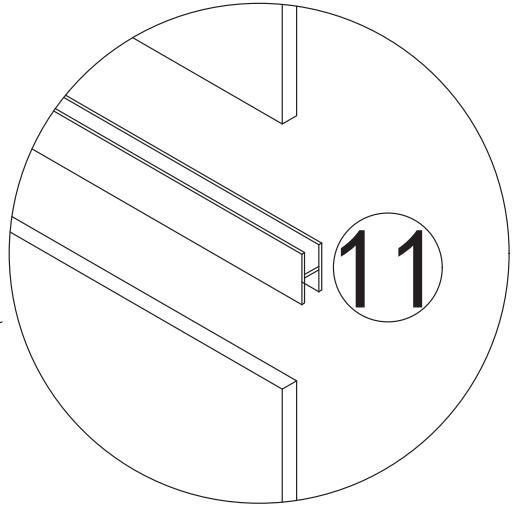
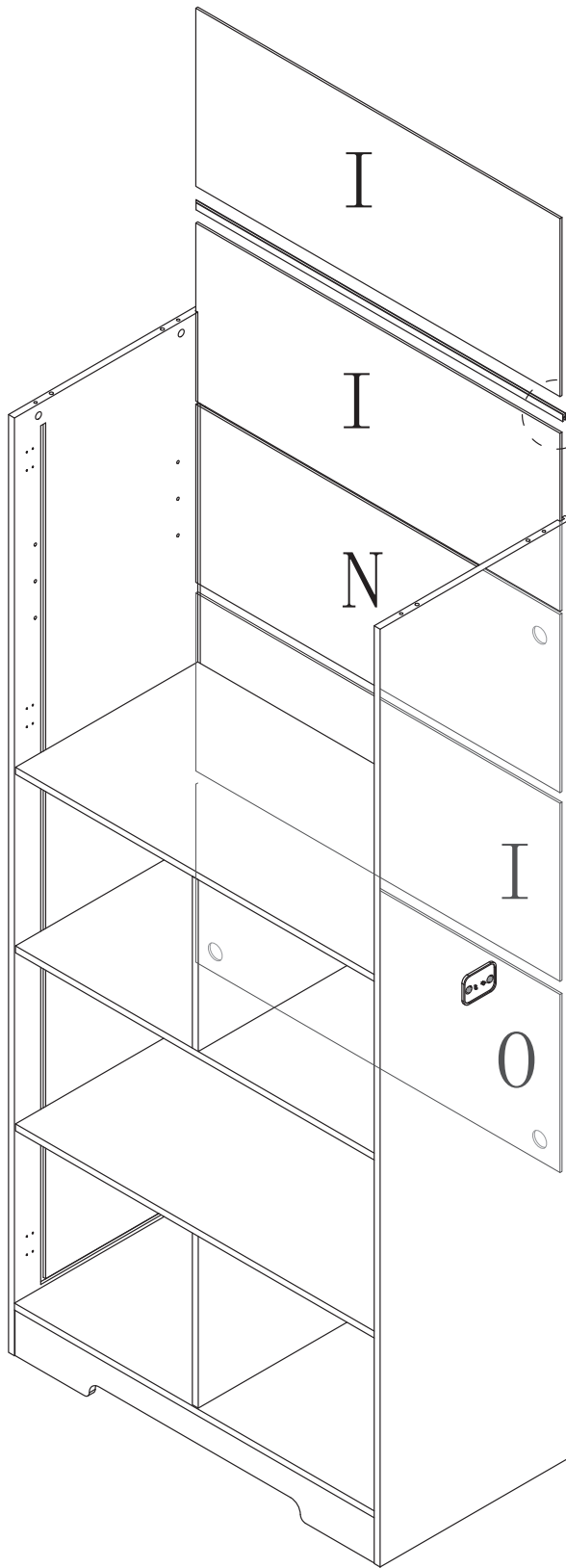
- ②  x 12
- ④  x 6



Tear off the protective film
before installation

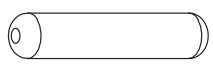
Step 19

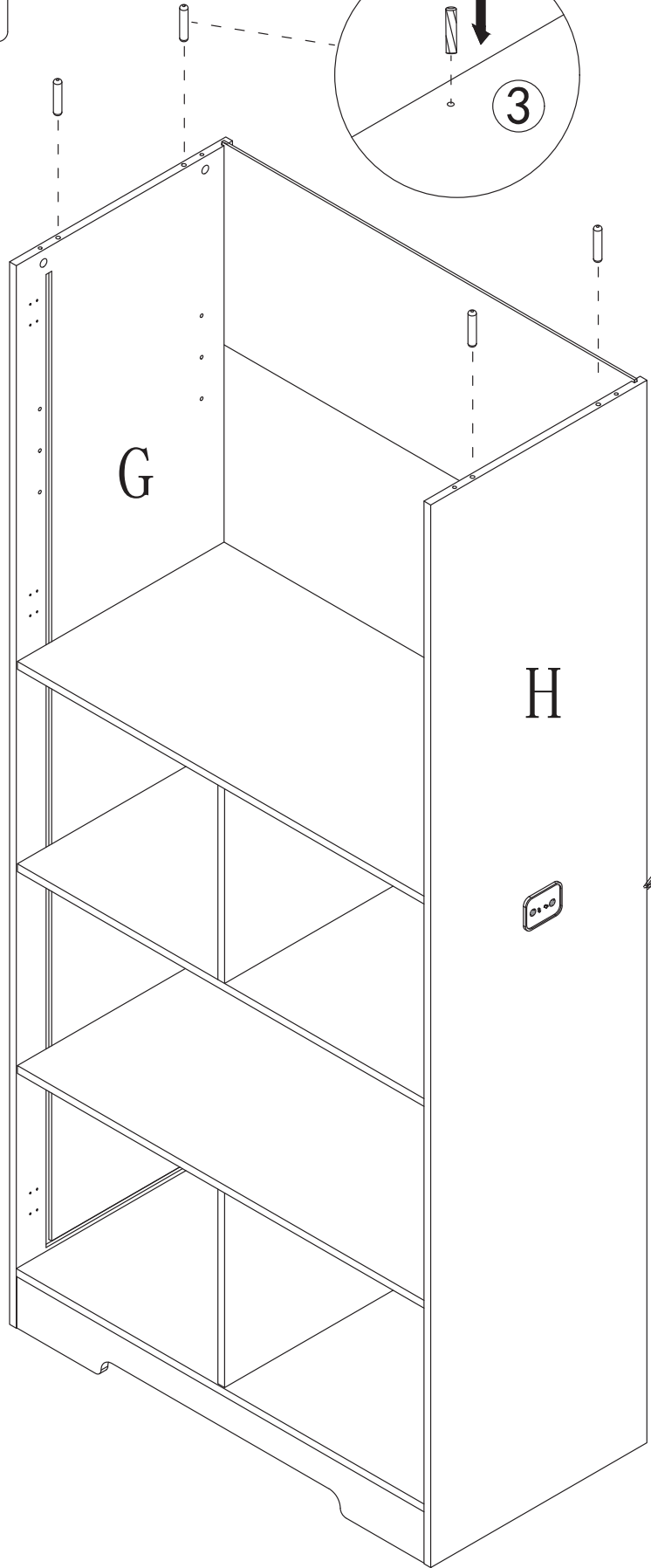
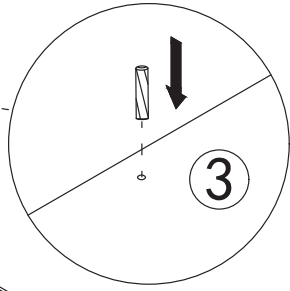
11 x1



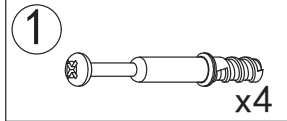
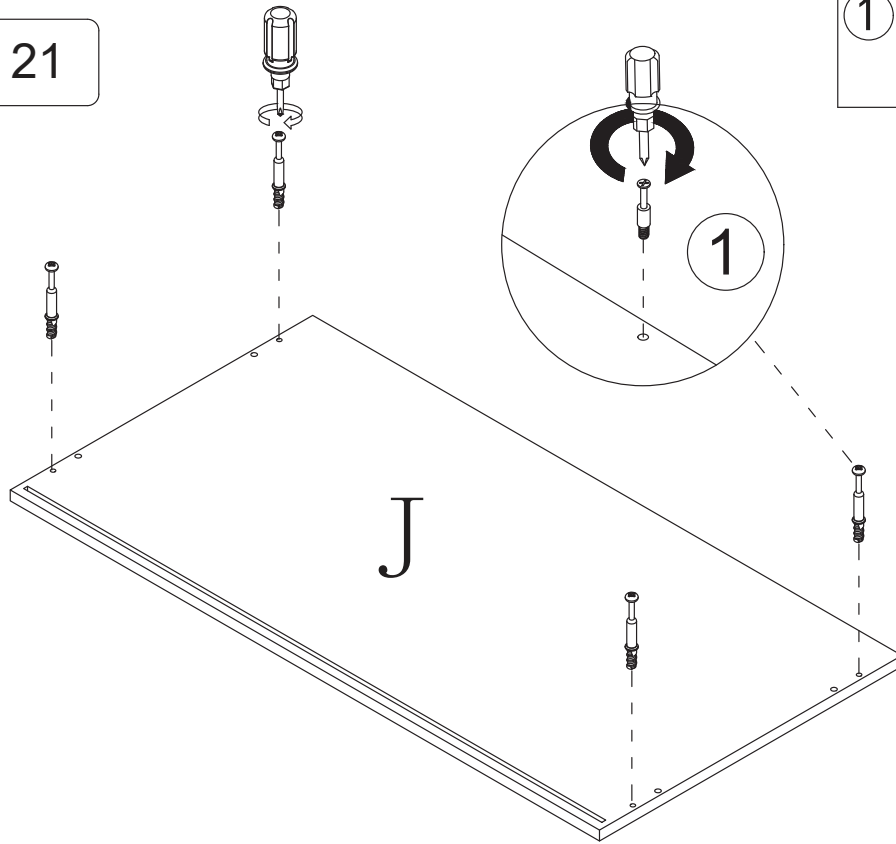
17

Step 20

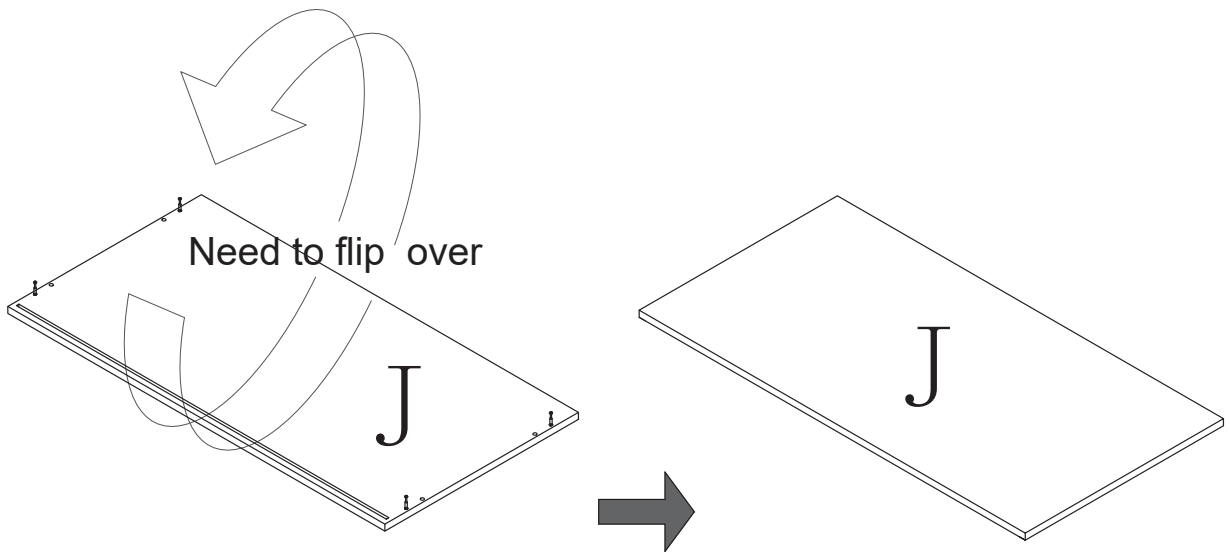
③  x4



Step 21



Step 22

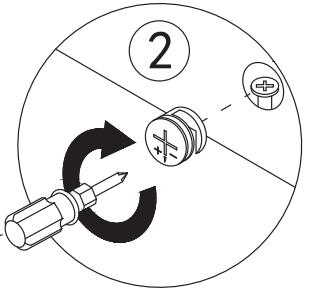
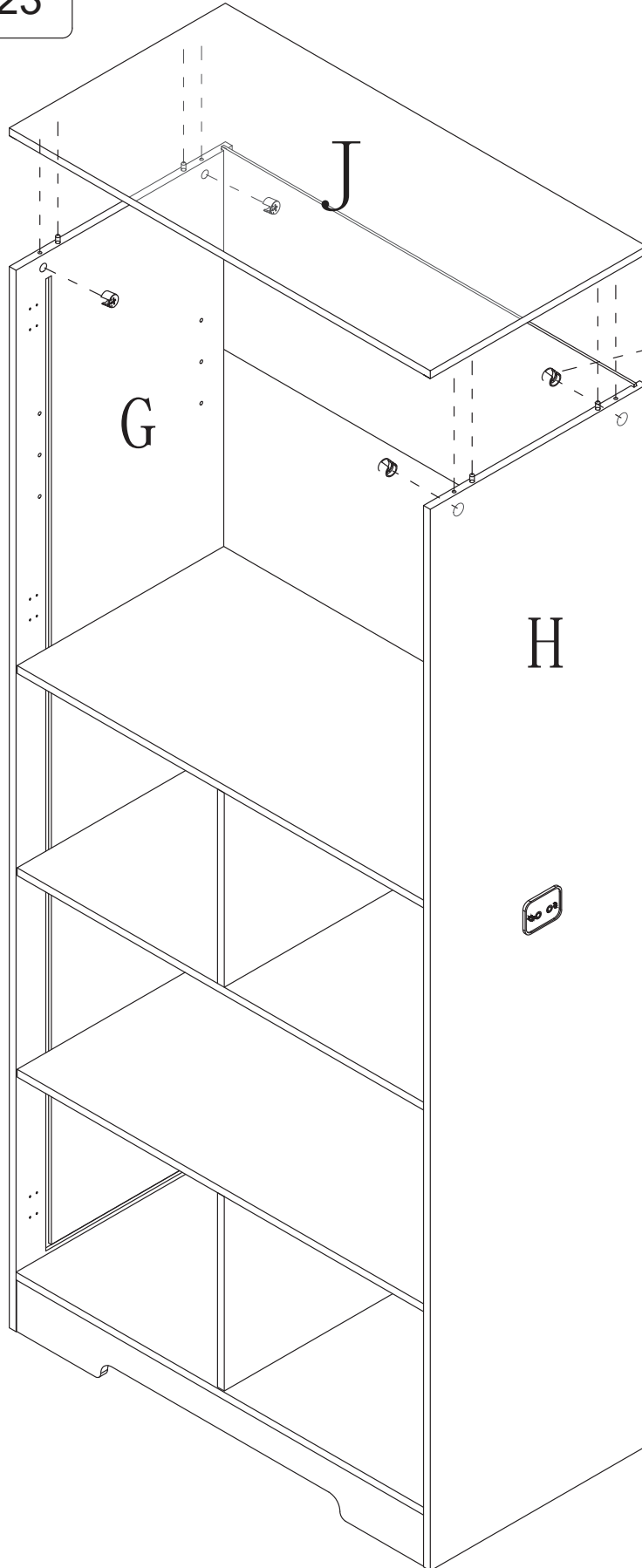


Step 23

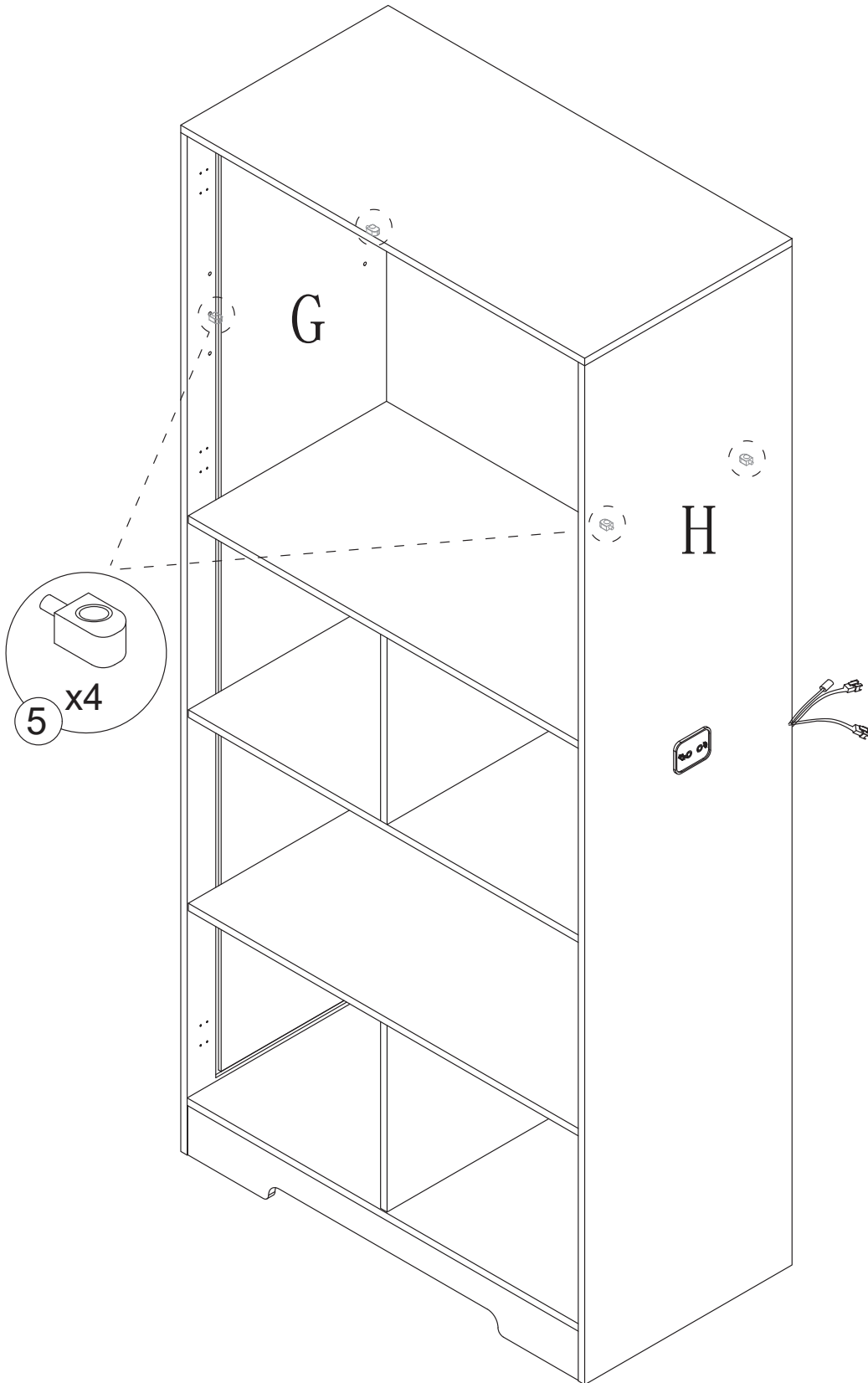
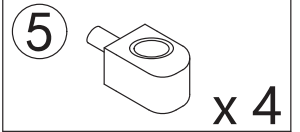
2



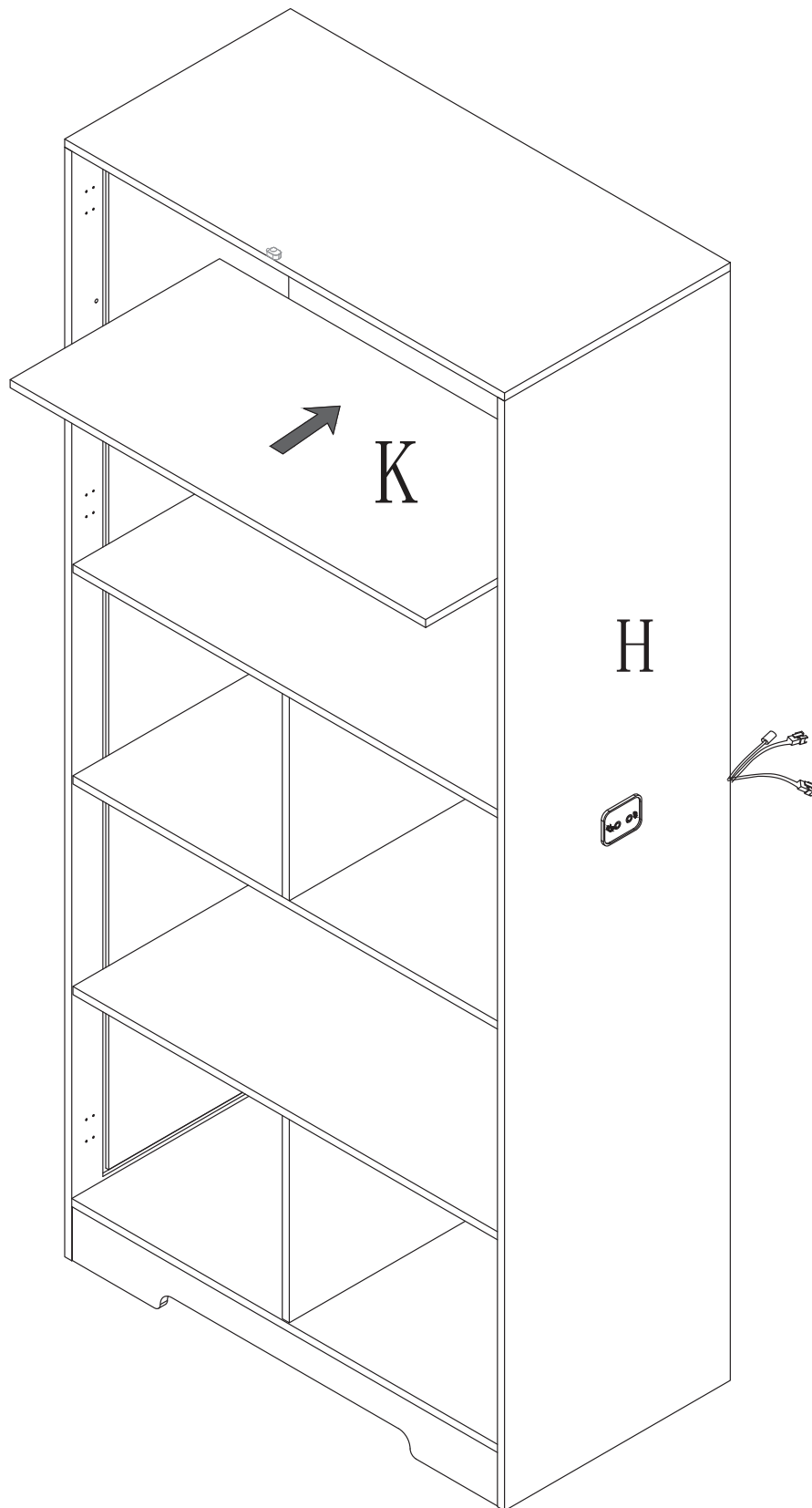
x 4



Step 24

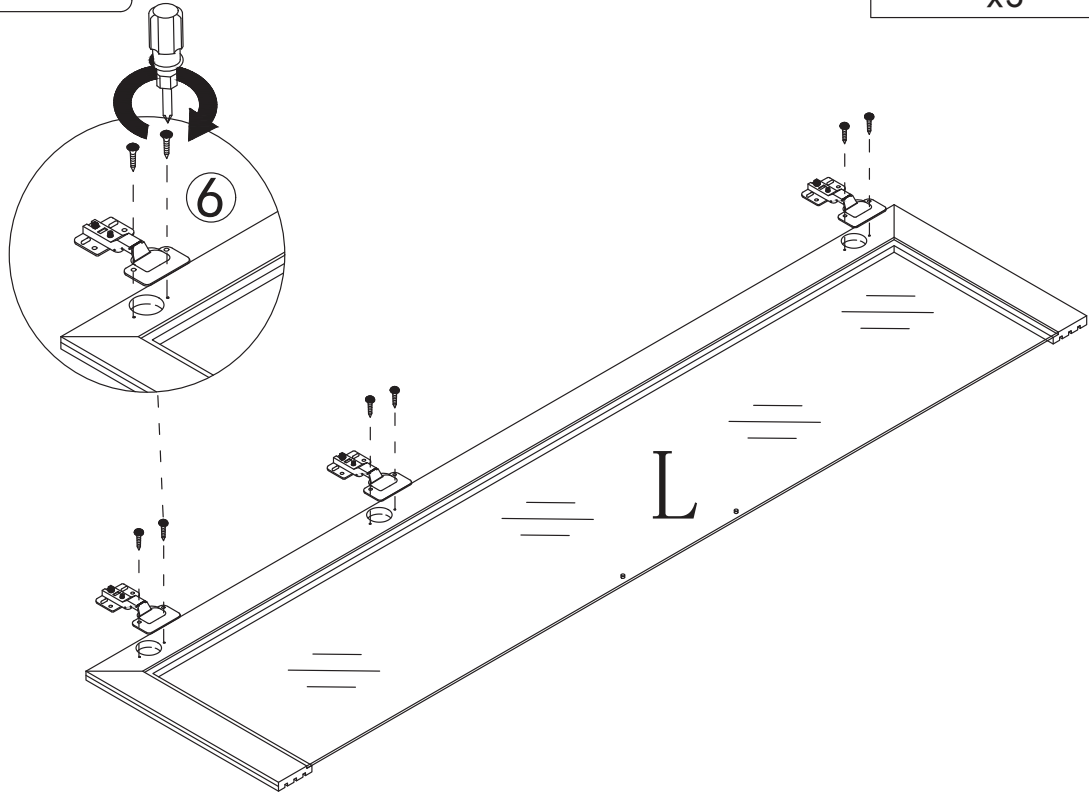
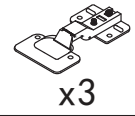


Step 25



Step 26

6

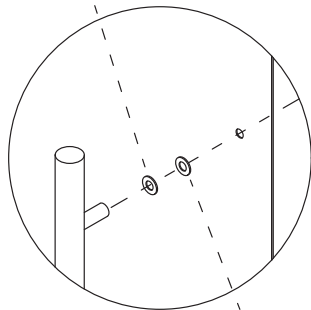


Step 27

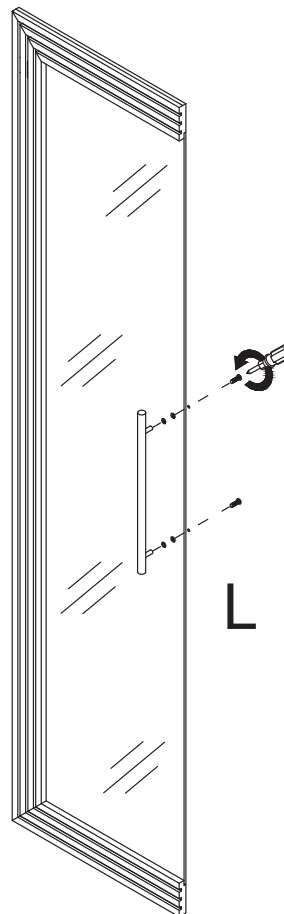
7



Iron gaskets

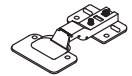


Glue gaskets



Step 28

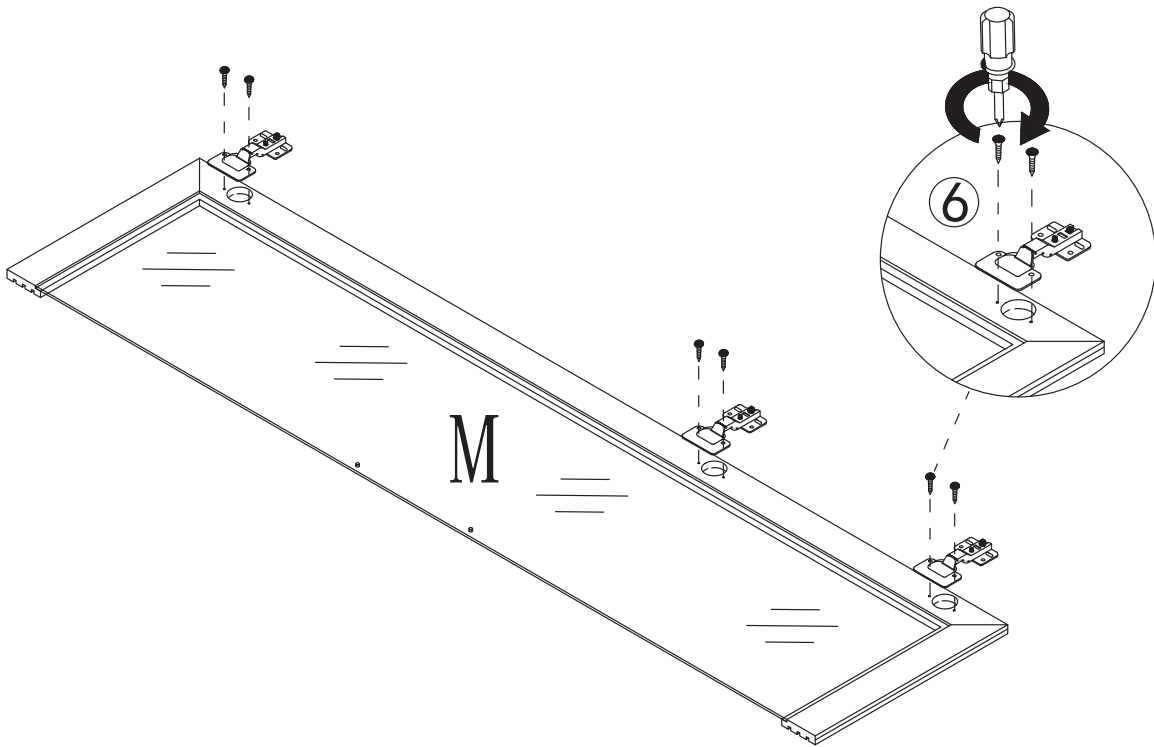
6



x3



x6



Step 29

7



1pcs



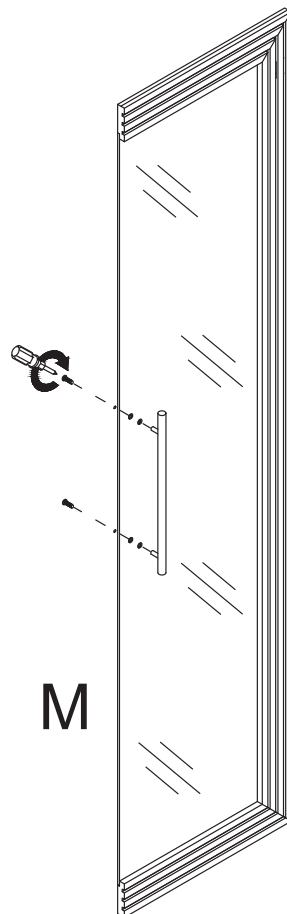
2pcs



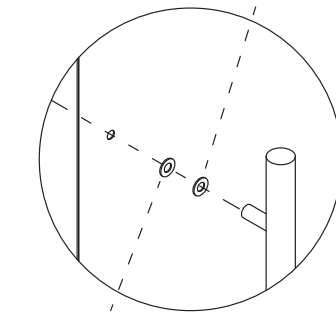
2pcs



2pcs

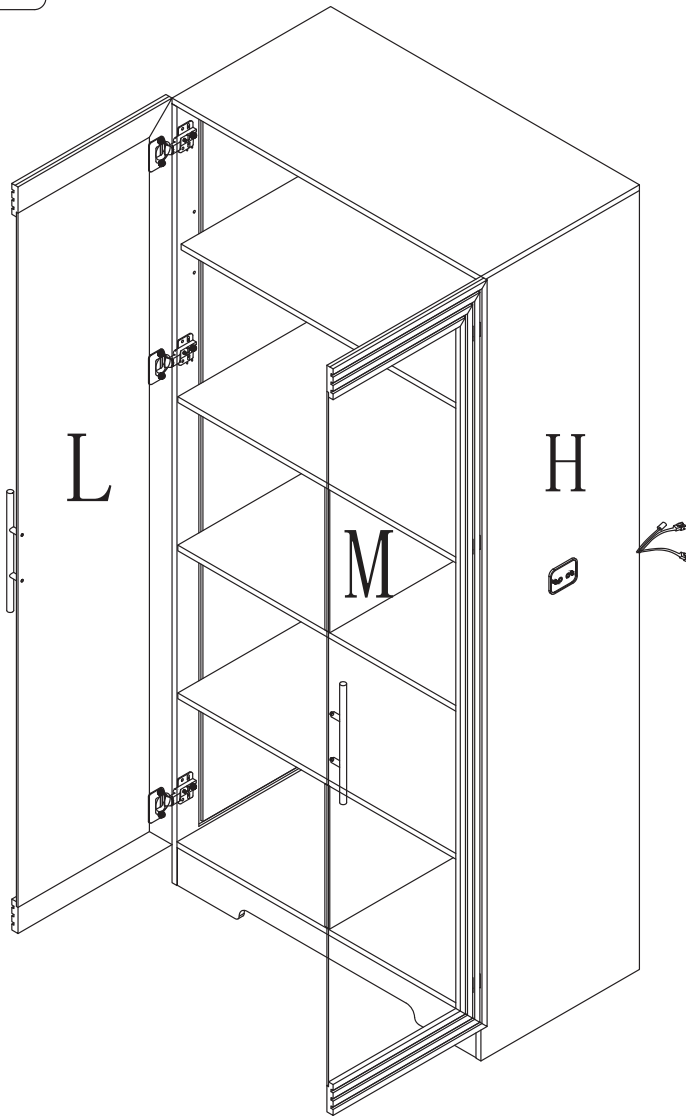


Iron gaskets

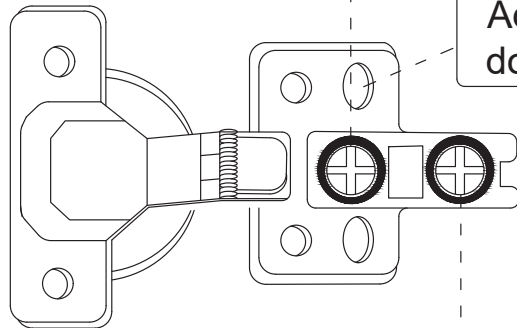


Glue gaskets

Step 30



Adjust screw control the gap between the two doors



Adjust hole control the up and down height of the door

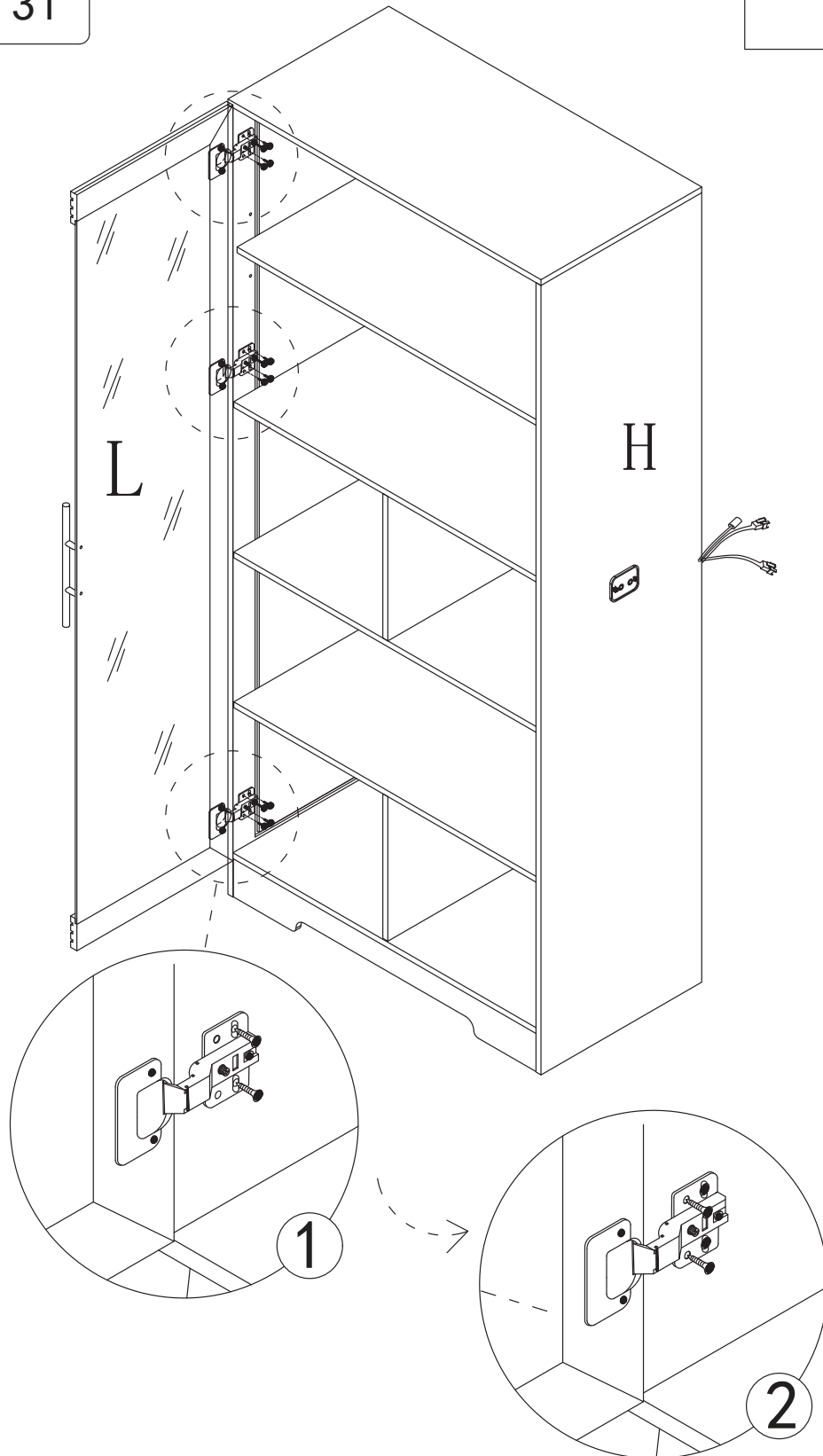
Adjust screw control the gap between the door and the board

Step 31

6



x12



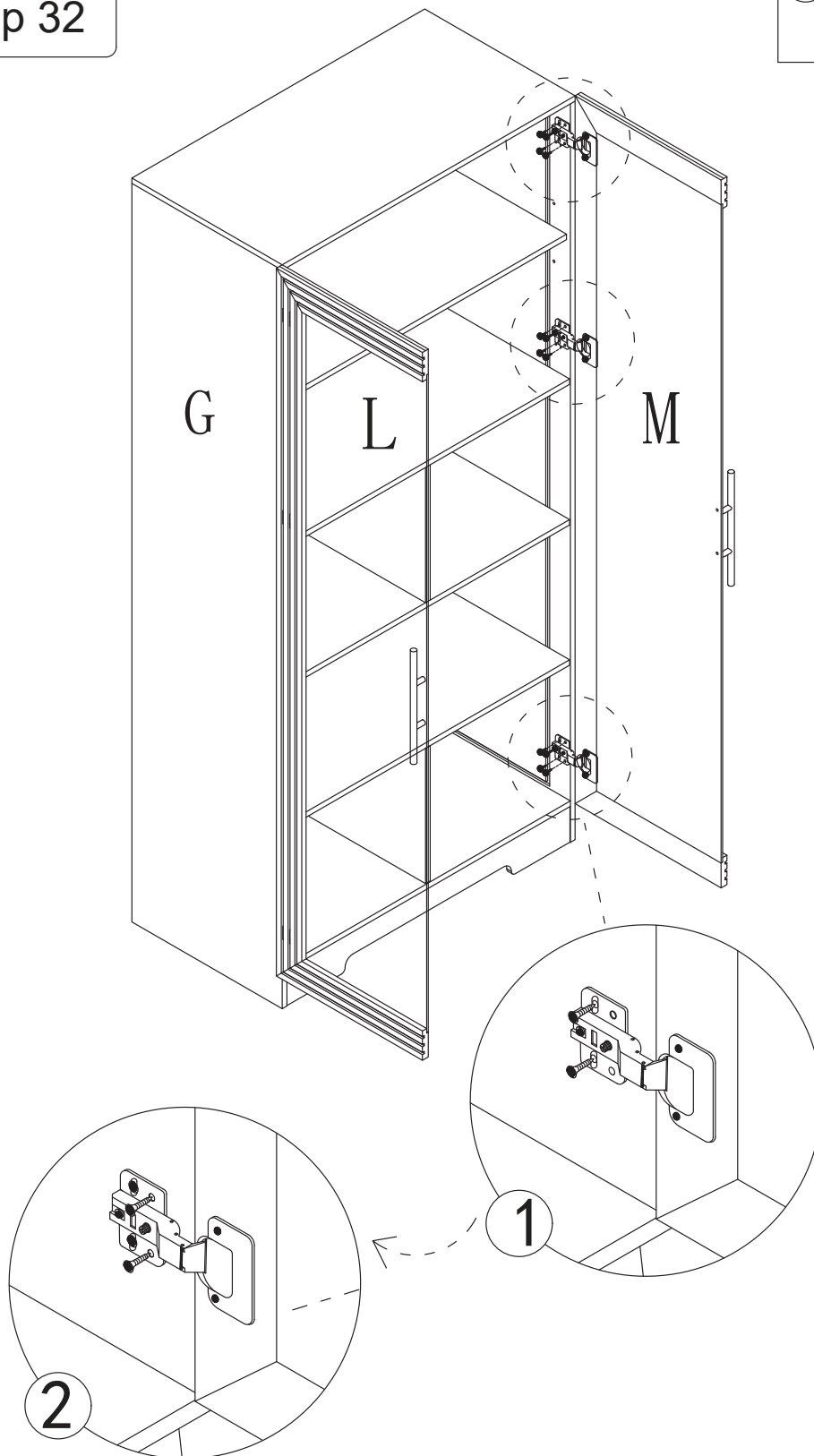
When installing the door, first ensure that the door is at the same height as the top board, then fix the inner elliptical hole of the hinge①, and finally lock the circular hole②

Step 32

6

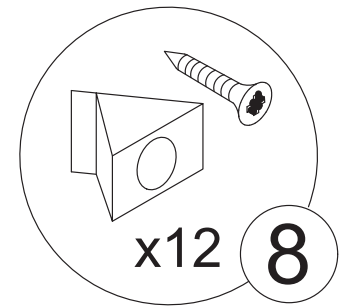
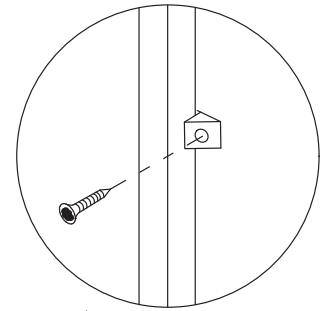
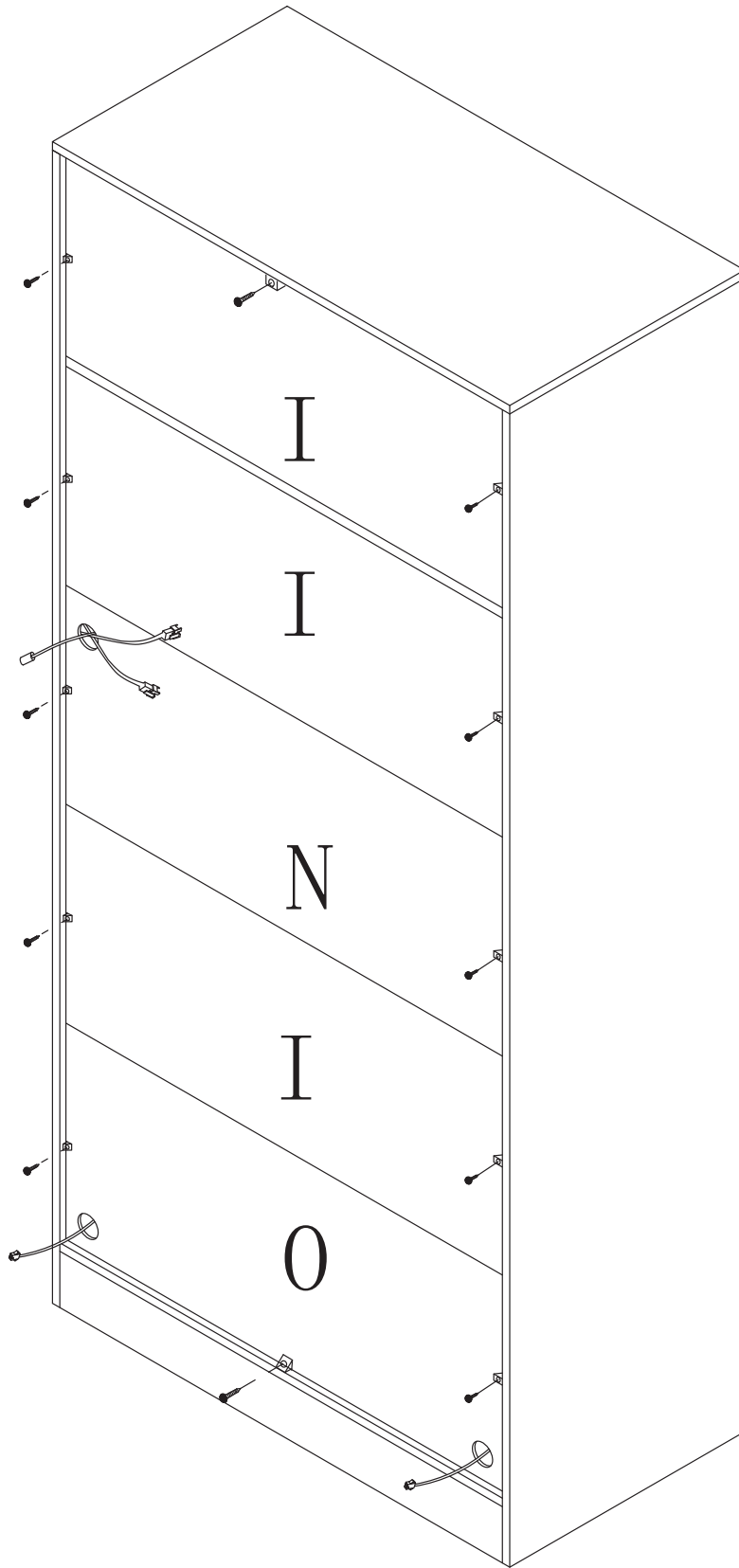
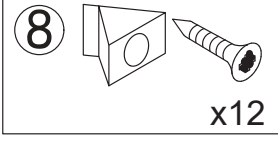


x12

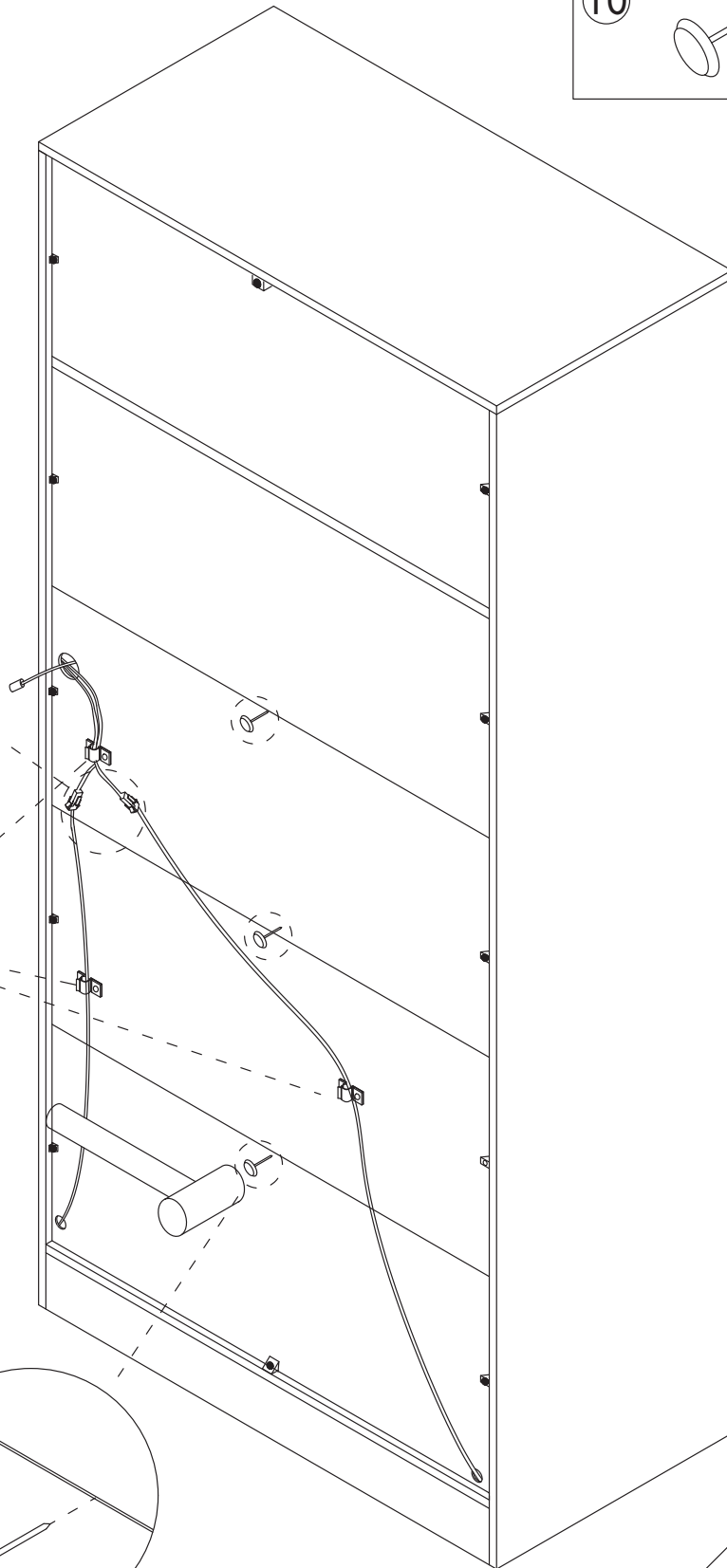
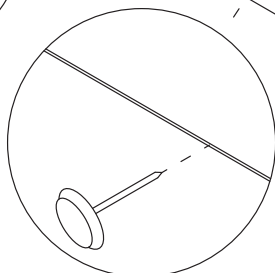
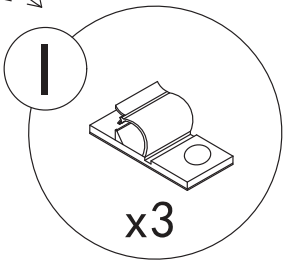
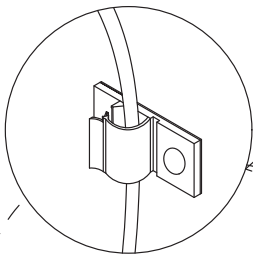
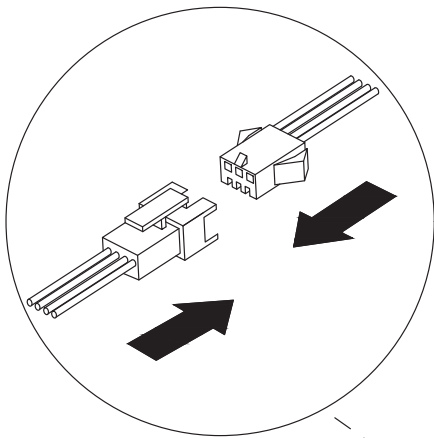
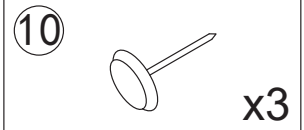
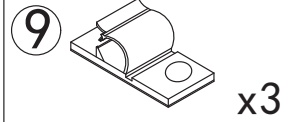


When installing the door, first ensure that the door is at the same height as the top board, then fix the inner elliptical hole of the hinge①, and finally lock the circular hole②

Step 33

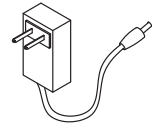


Step 34

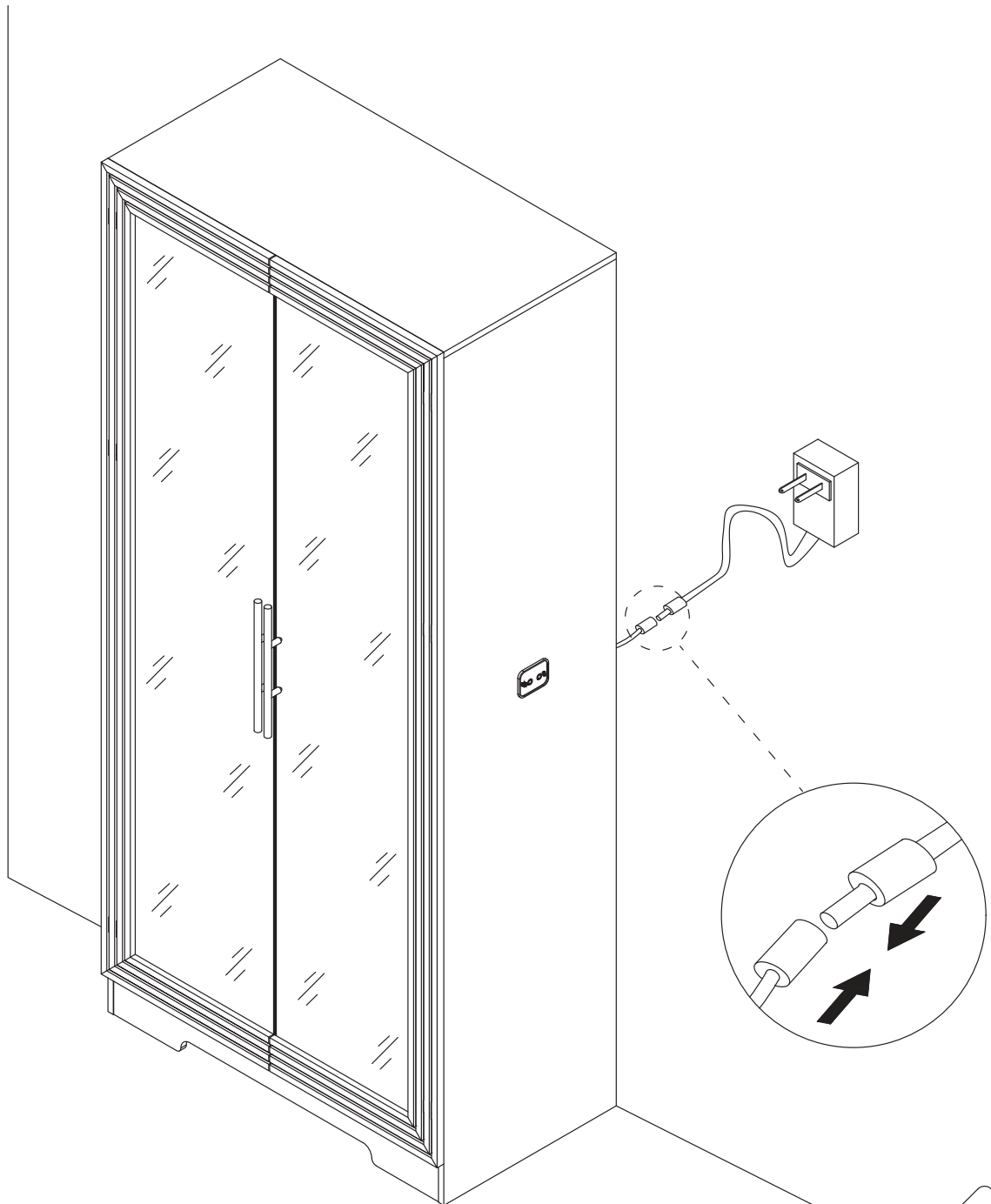


Step 35

12



x1

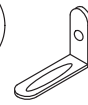


30

Step 36

Install as required

13



x2

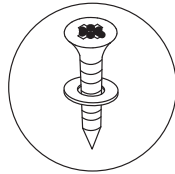


x2

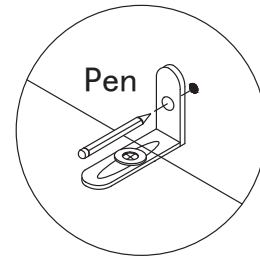
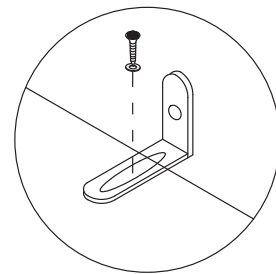
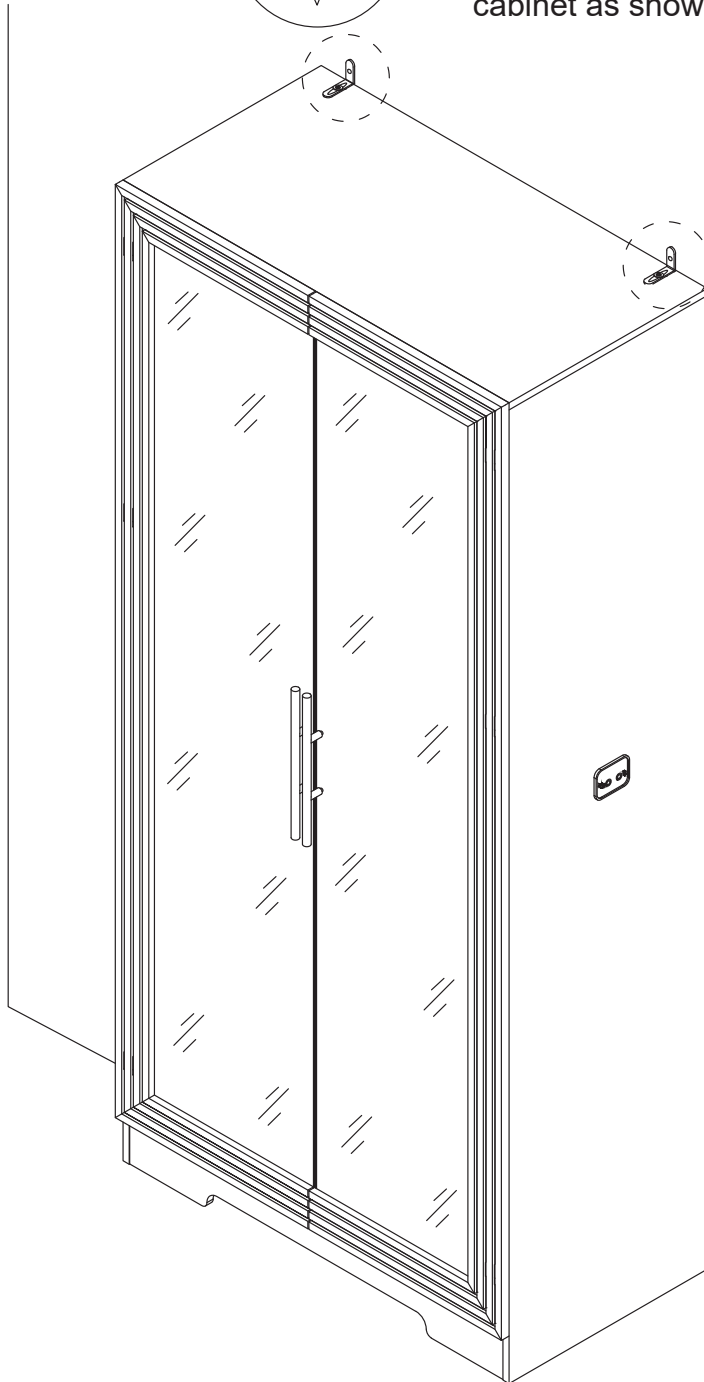


x2

3.5x14mm



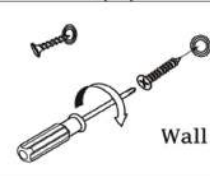
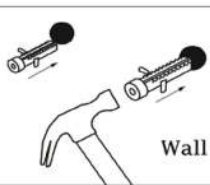
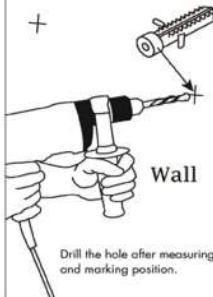
Install the anti fall hardware on the cabinet as shown in the picture first



Then mark the wall with a pen through the holes in the anti-fall hardware

Step 37

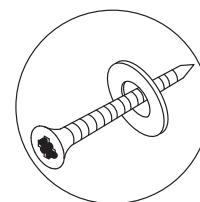
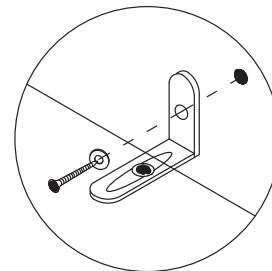
Wall Mount



13

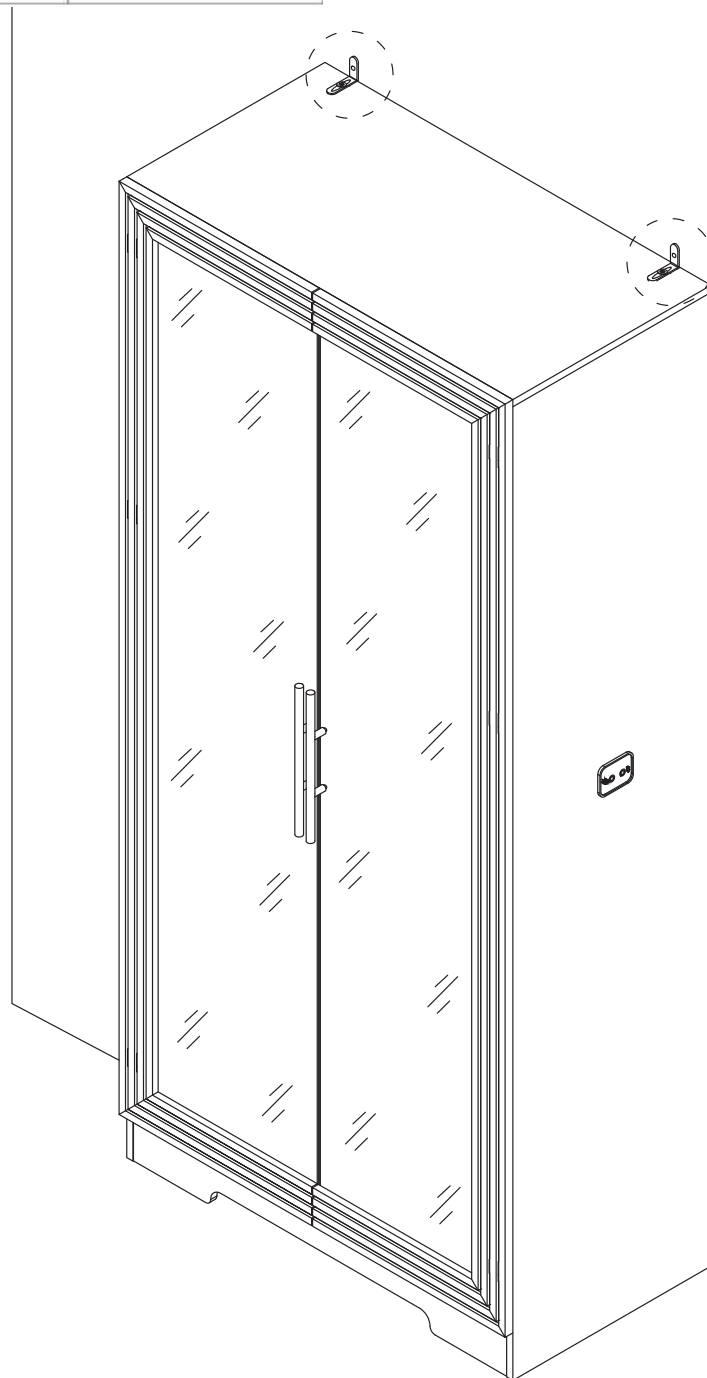


Drill the hole with an electric drill and punch in the colloidal particles



4x45mm

Fix the dressing table to the wall



User's Guide

Thank you for purchasing this product. To use this product, please plug it into a 12V DC power supply. Please use if the product works normally after connecting to power.

Introduction

The box is an intelligent controller with 2 touch buttons. It can turn ON/OFF the light, change light colors, and adjust the light luminance.

Product Show



ATTENTION PLEASE

1. If there is no touch response suddenly, Re-plug the power to reset the touch static electricity.
2. If bubbles appear on the panel, remove the protective film.

Operation



This touch button is used to turn on/off, change colors, and adjust brightness.

A. Short touch -> lighting on -> short touch -> change light color -> short touch -> change light color -> short touch -> lighting off. B. Long touch -> adjust the luminance



This touch button is used to turn on/off the induction function.

A. Short touch to turn on the induction function. It can auto-turn on the light when people are close to the controller in 1 meters. It can auto power off the light when the body is far away from the controller after 30 seconds.

B. Long touch to turn off the induction function.

C. Note: When you touch the light button to change the light modes, the induction function will automatically turn off. It is best to turn on this function after selecting the light color and adjusting the brightness you want.