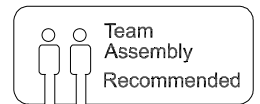
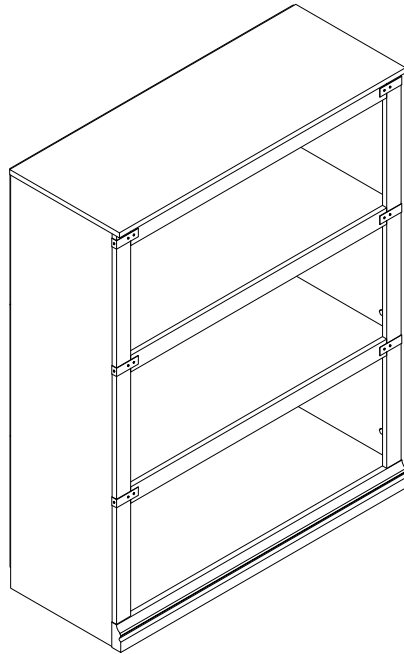


# Assembly Instruction



## Trouble shooting:

Missing / Wrong / Broken parts and installation issues



Send email with your question pic, order NO. and screenshot of order details to:

***support@idealhouse.vip***

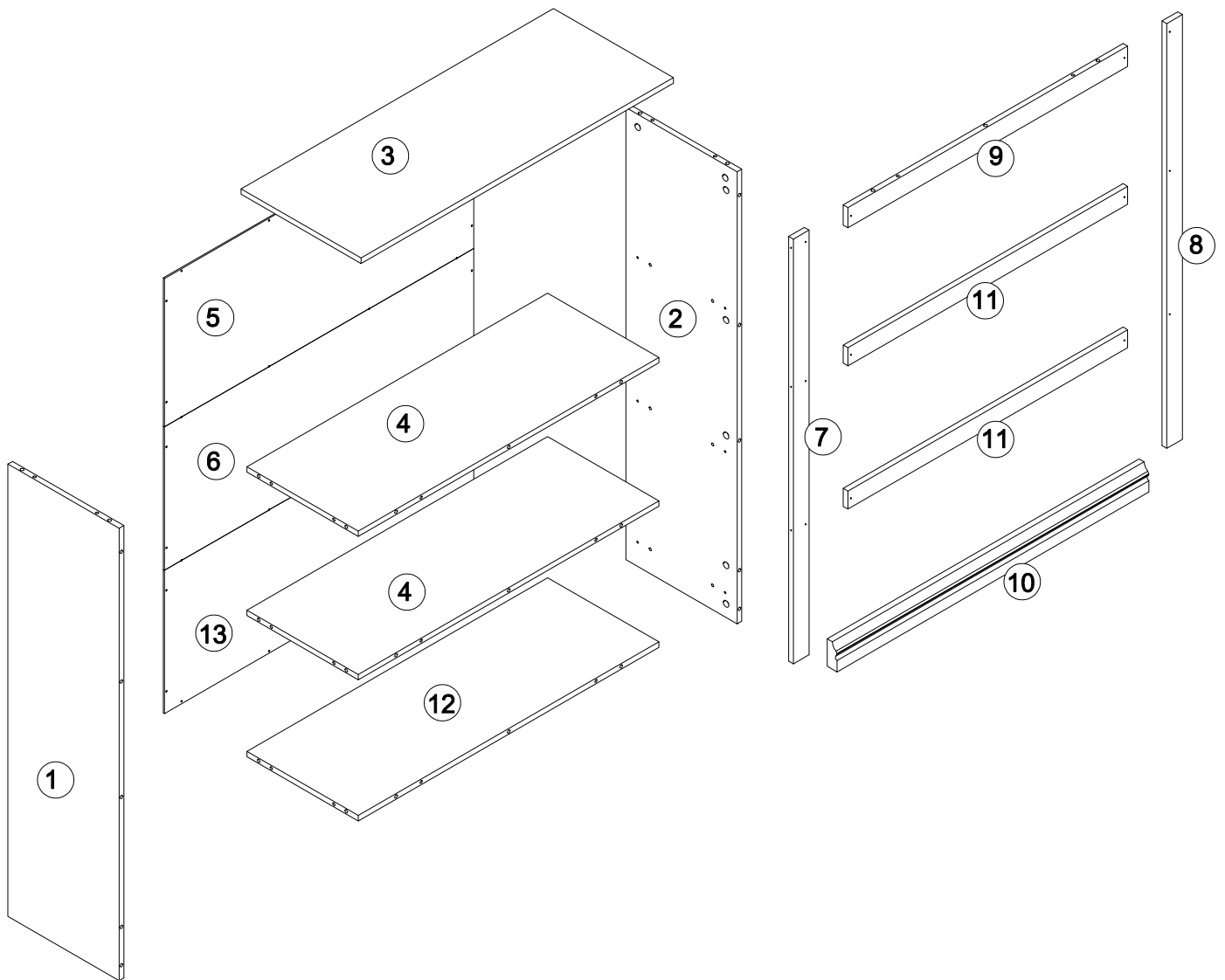


Respond within 24 hours



Issue resolved

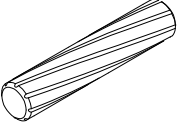

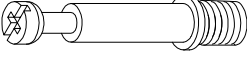
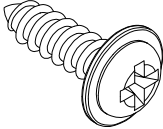
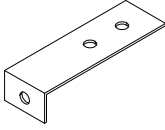
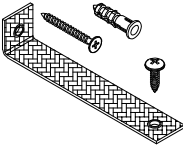
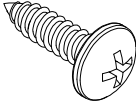

Please check that you have all the parts listed below



1		x1	7		x1
2		x1	8		x1
3		x1	9		x1
4		x2	10		x1
5		x1	11		x2
6		x1	12		x1
			13		x1

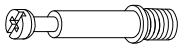
**HARDWARE LIST**

Please check that you have all the parts listed below

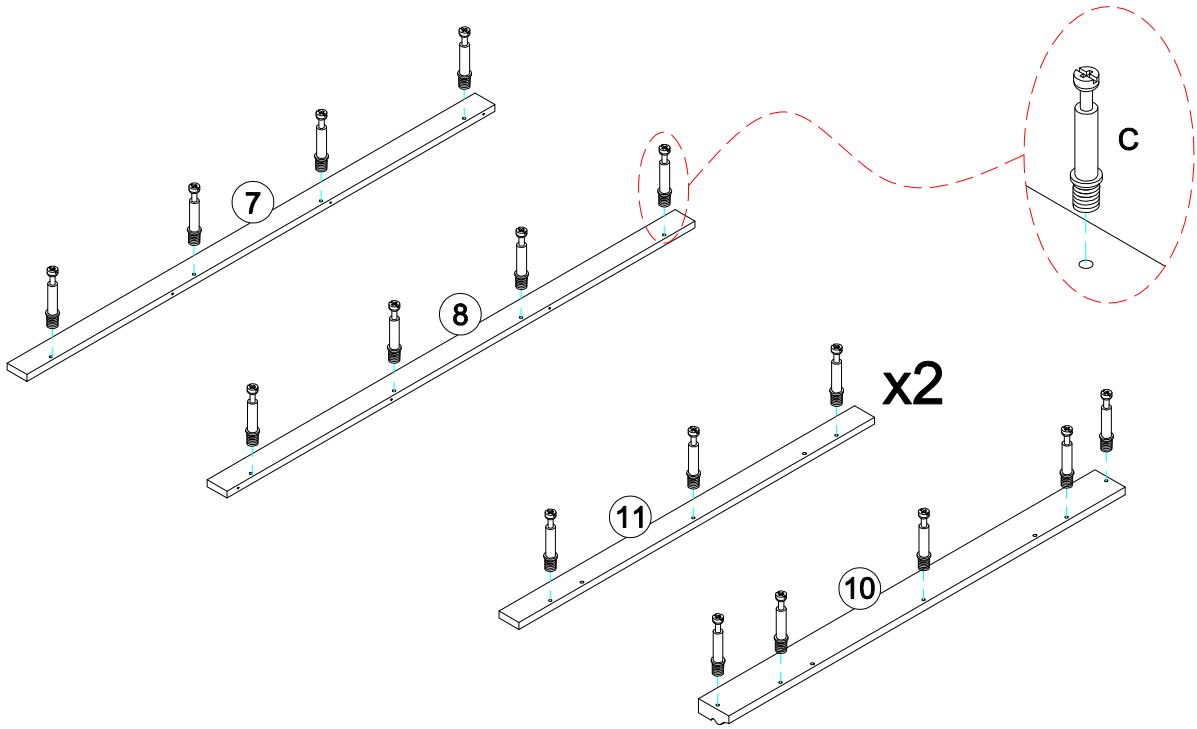
<b>A x 24+2PCS</b>  <b>Ø6*30mm</b>	<b>B x 38+2PCS</b>  <b>Ø15*9mm</b>	<b>Cx 38+2PCS</b>  <b>Ø6*35mm</b>	<b>E x 26+2PCS</b>  <b>Ø8*Ø3.5*12mm</b>
<b>F x 6PCS</b> 	<b>G x 2PCS</b> 	<b>H x 24+2PCS</b>  <b>Ø8*Ø4*10mm</b>	<b>K x 1PC</b> 

**1**

Ø6x35mm



C x19



**2**

Ø6x30mm



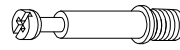
A x 6

Ø15x9mm

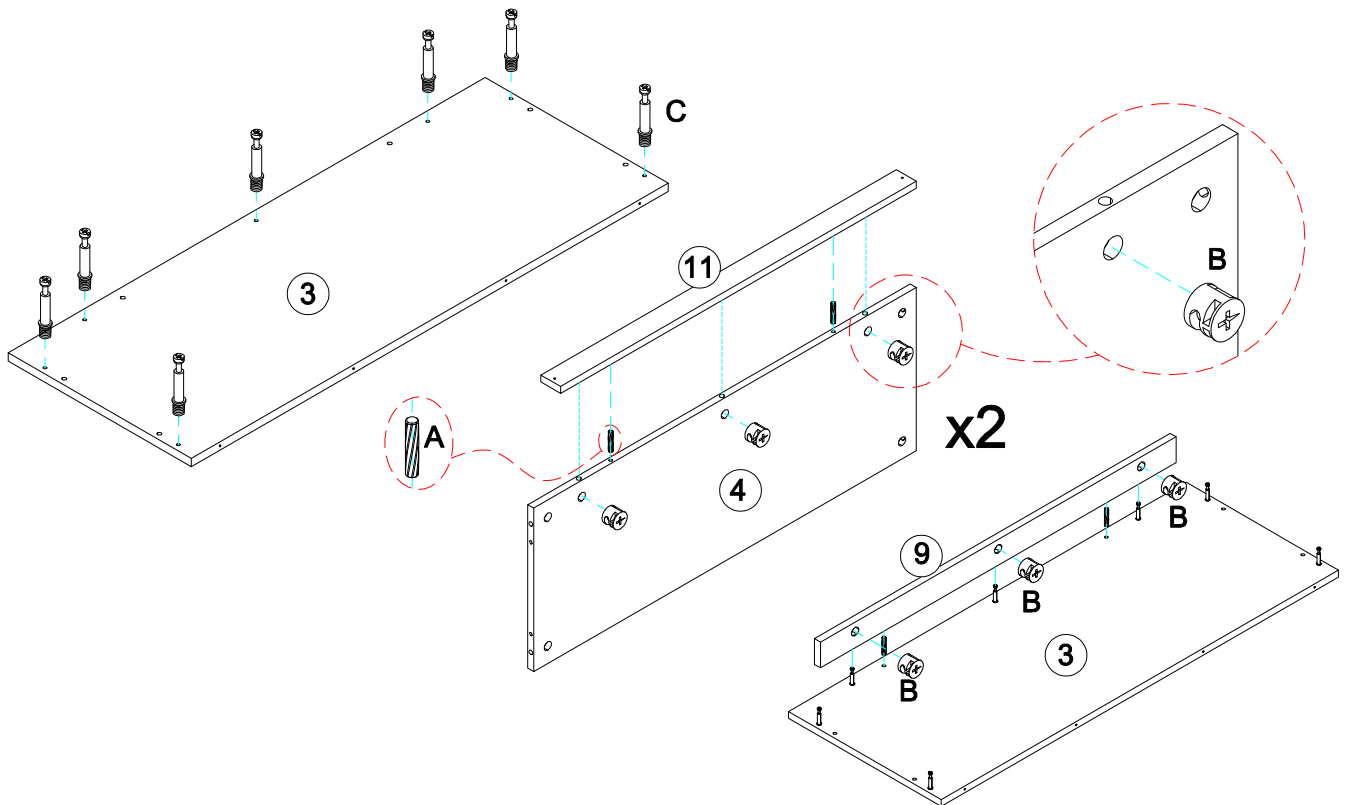


B x 9

Ø6x35mm



C x 7



# PRODUCT ASSEMBLY

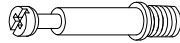
## 3

Ø6x30mm

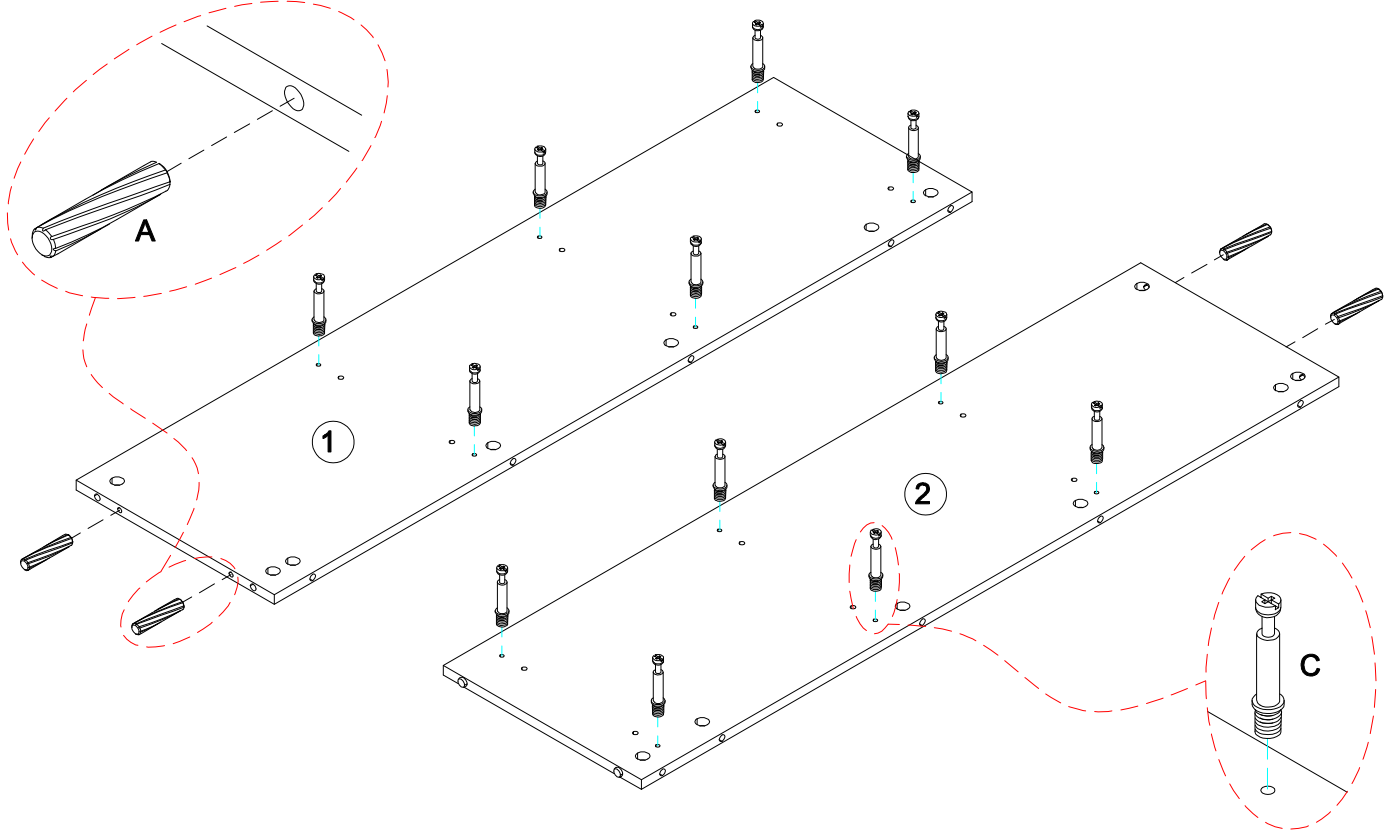


A x 4

Ø6x35mm



C x 12

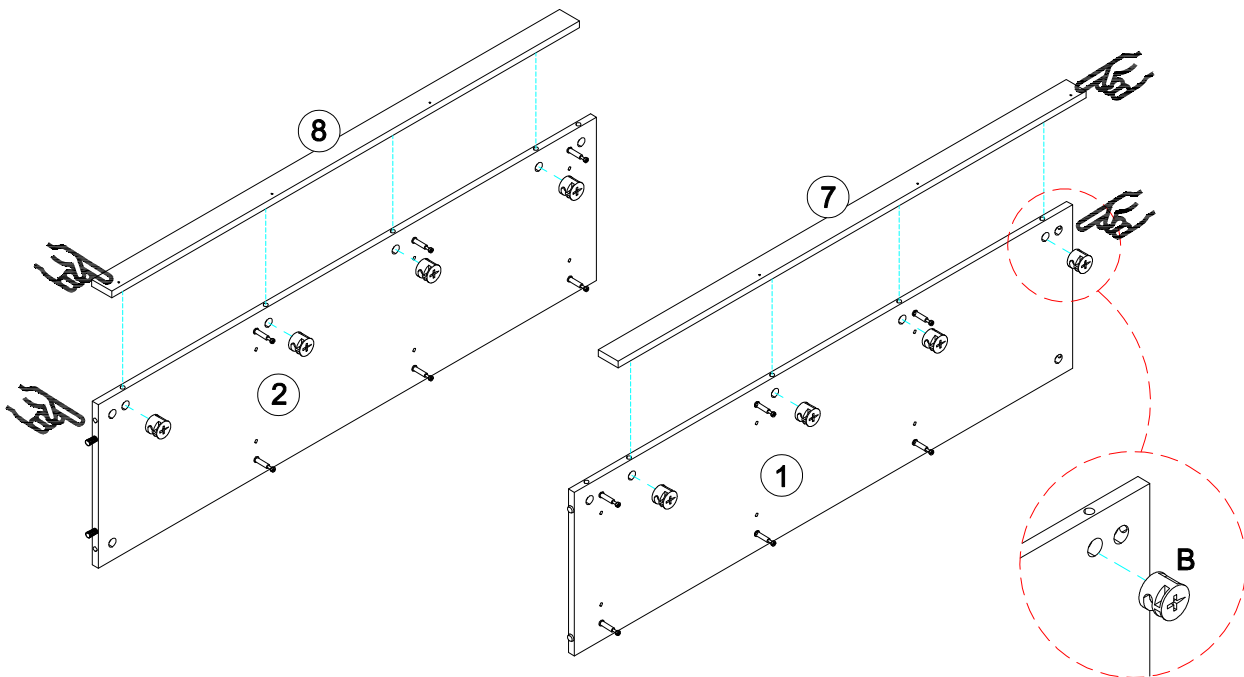
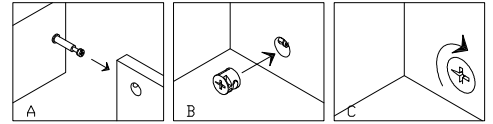


## 4

Ø15x9mm

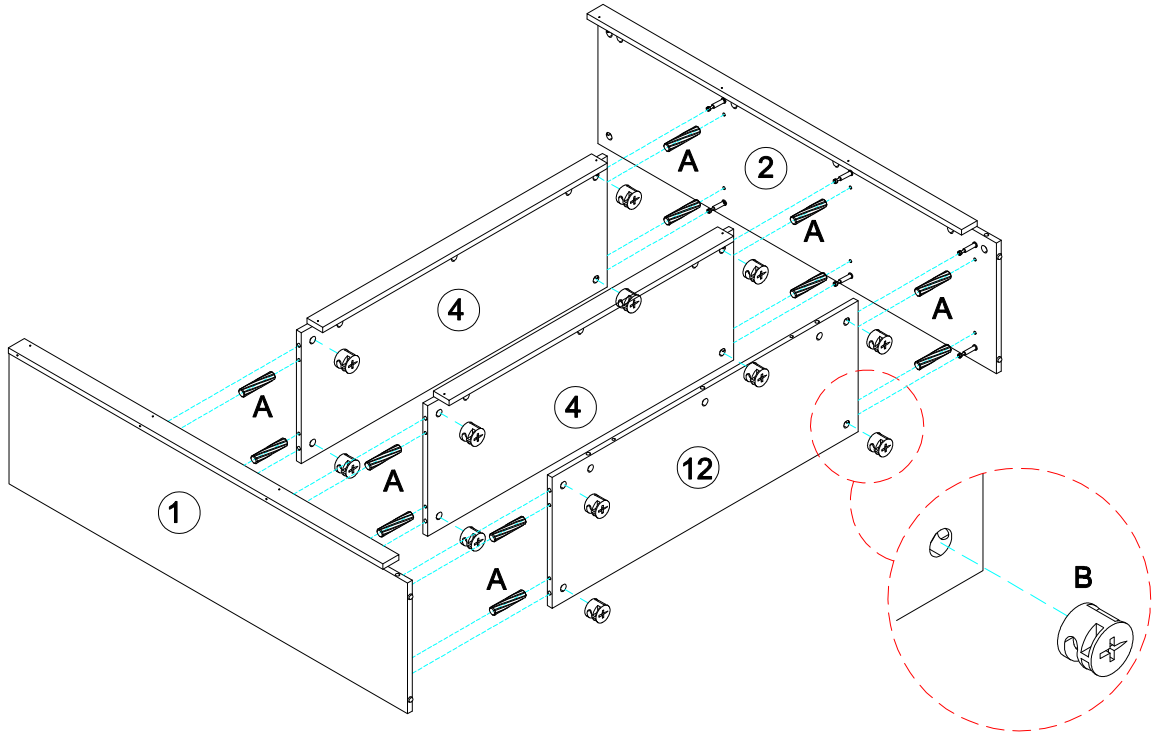


B x 8

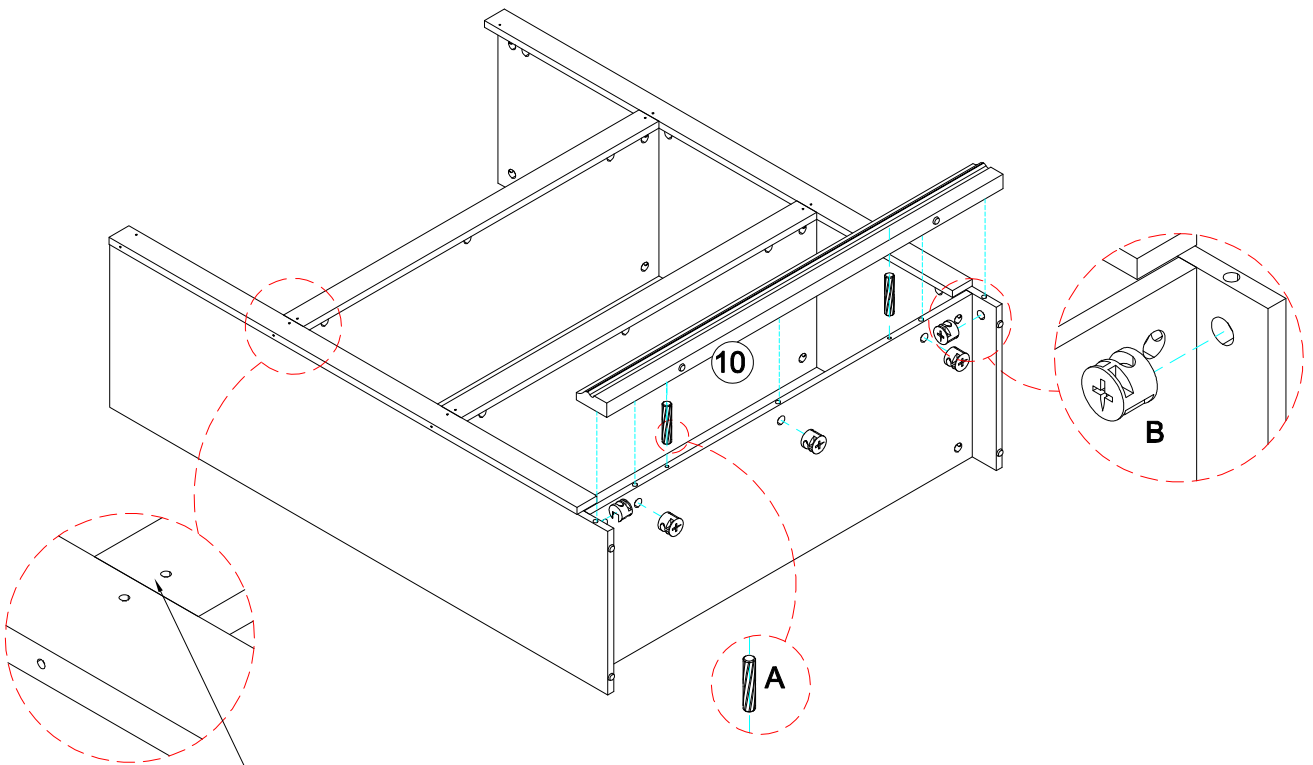


Noted the direction of finger point

**5**



**6**



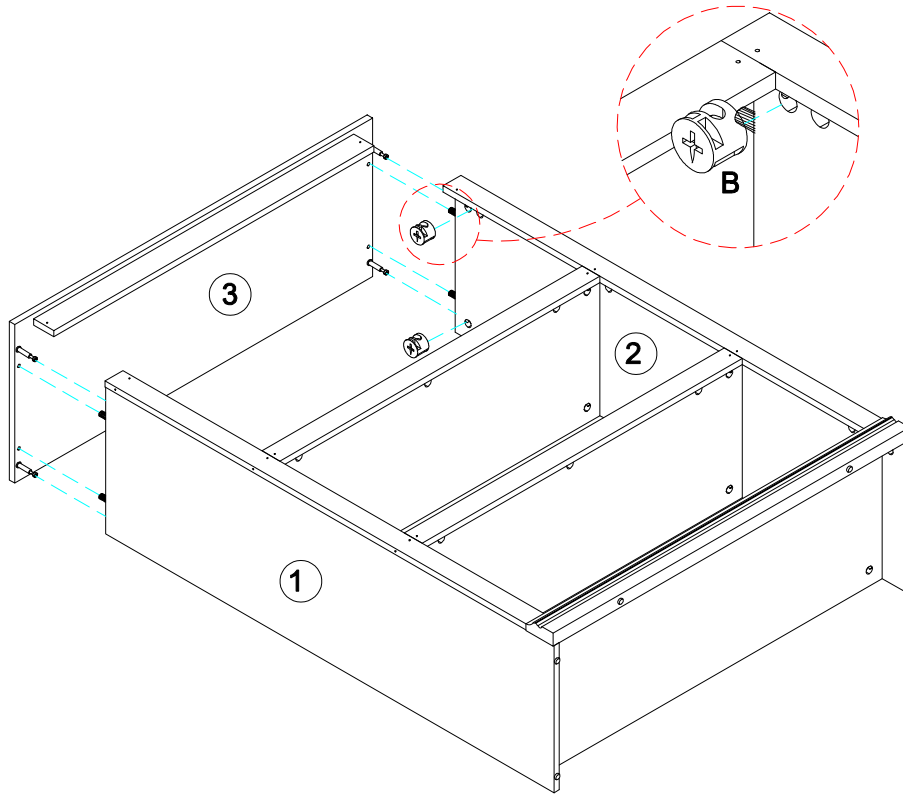
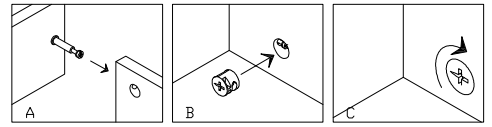
**Noted the holes is aligned**

**7**

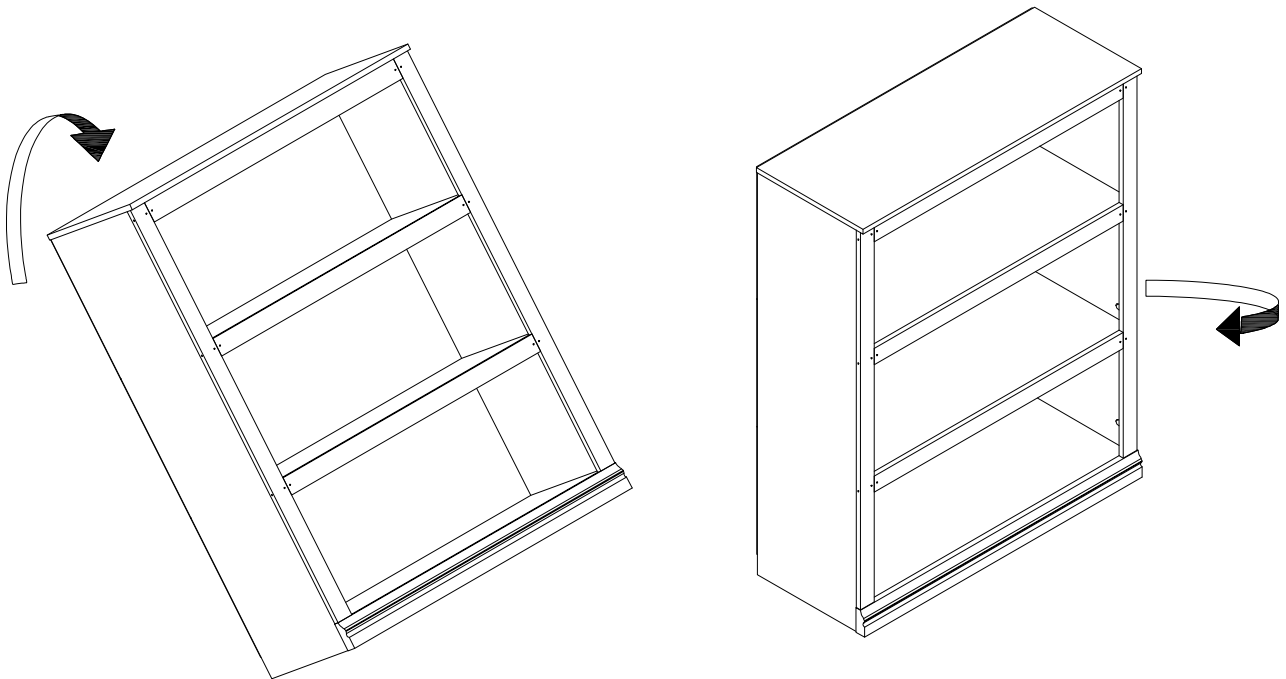
Ø15x9mm



**B x 4**



**8**

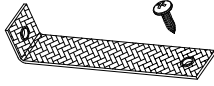


9

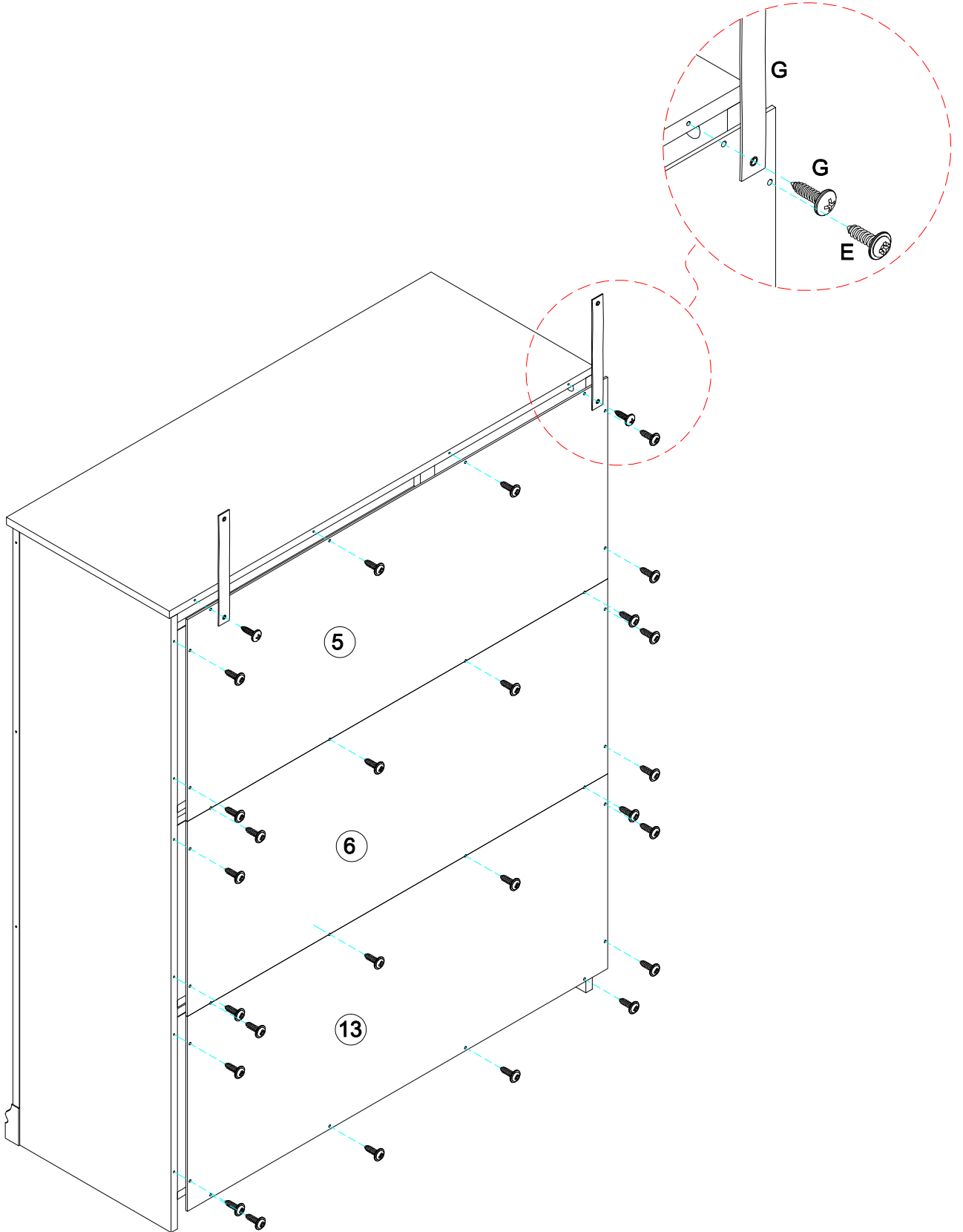
Ø3.5\*12mm



E x 26



G x 2

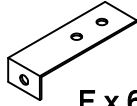


10

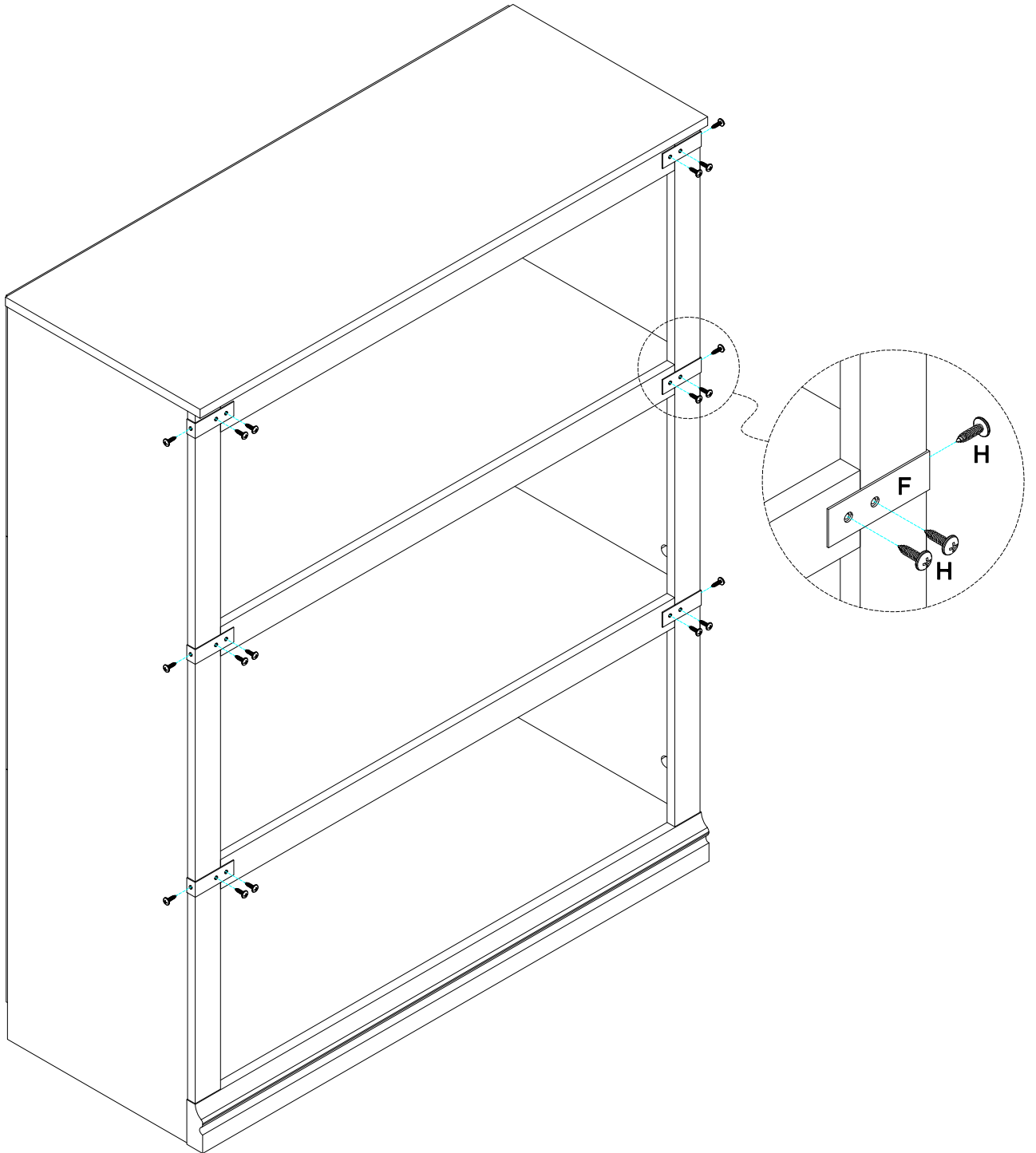
Ø4\*10mm



H x 18



F x 6



11

