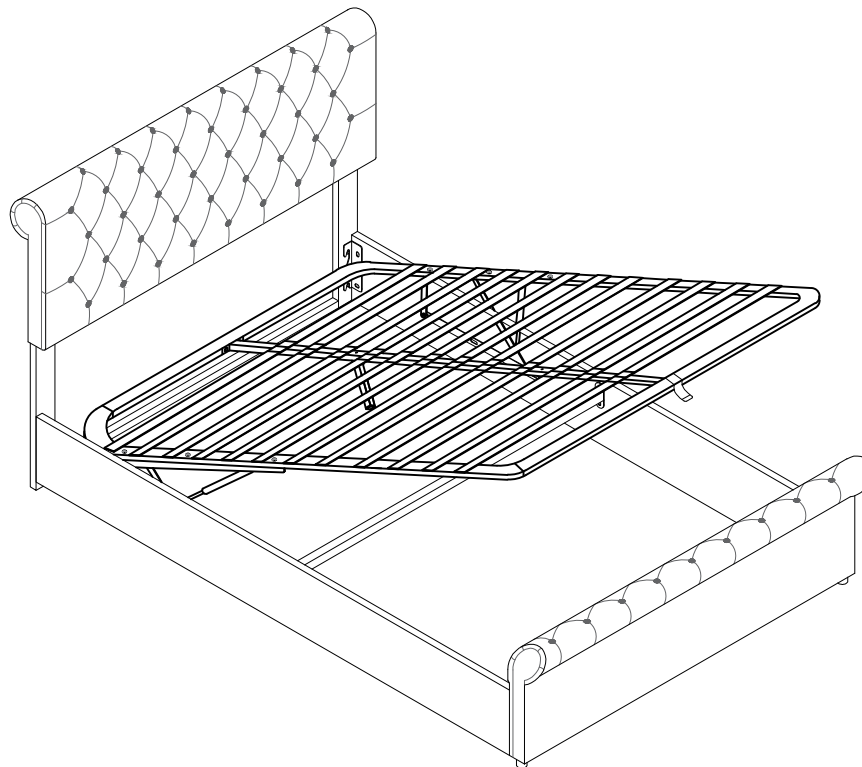


Installation sanleitung

Installation Instruction

Instruction d'installation

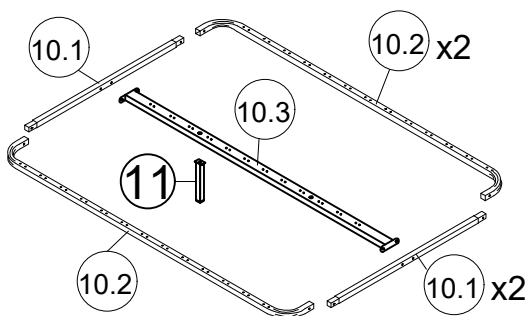
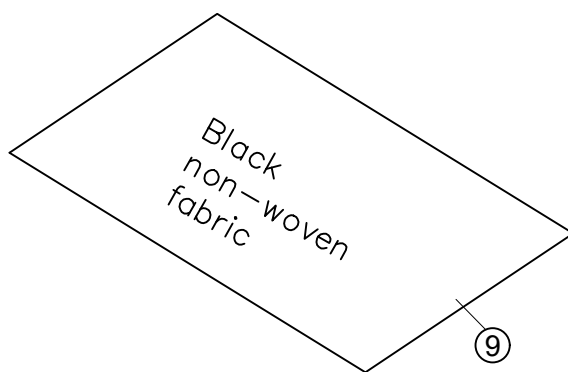
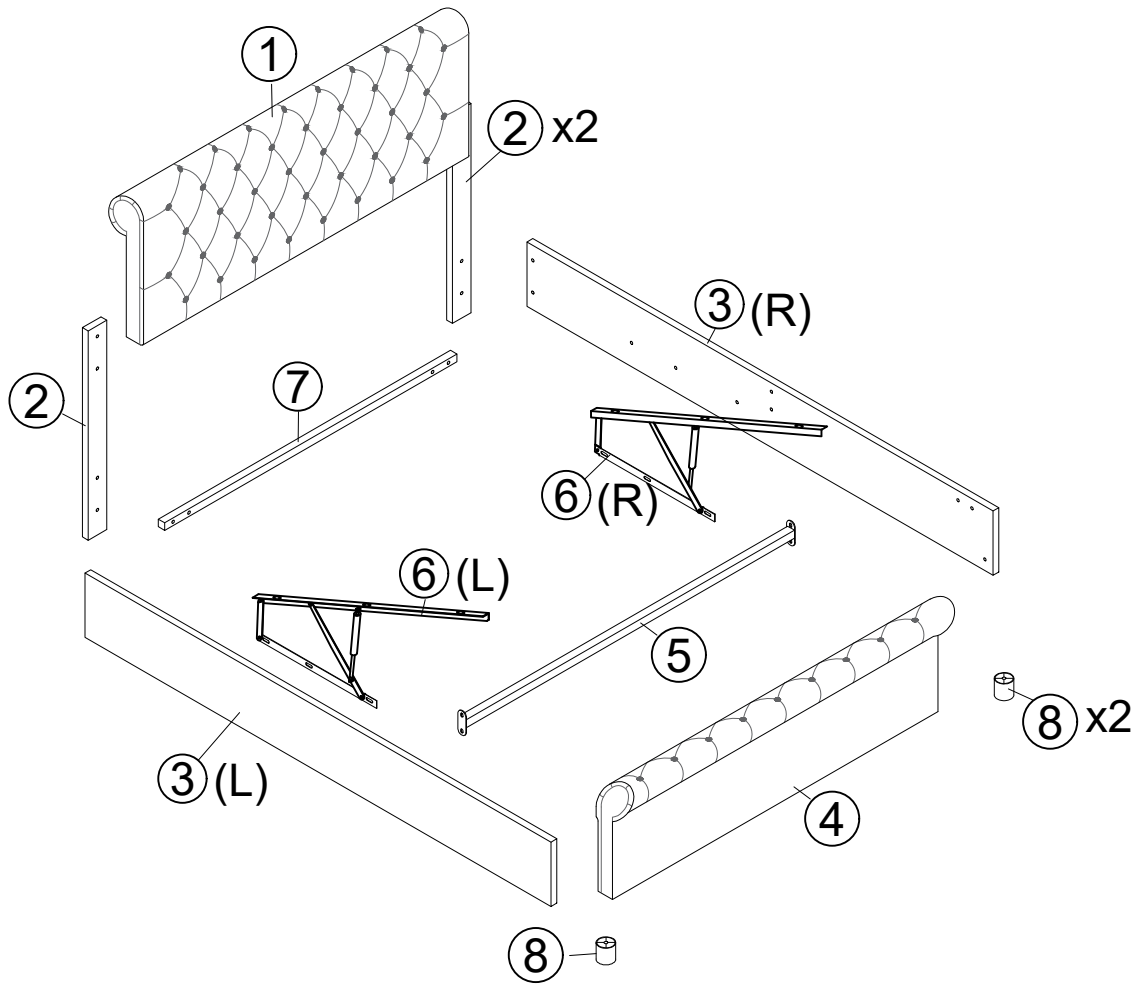


Unser Produkt wird Ihnen in 2 Paketen geliefert. Die Lieferzeiten dieser 2 Pakete können abweichen, bitte haben Sie etwas Geduld und vielen Dank für Ihr Verständnis.

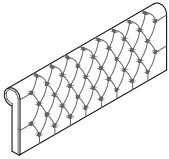

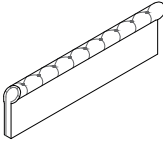
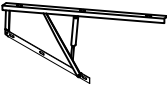
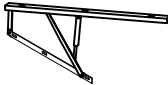
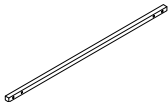
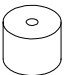
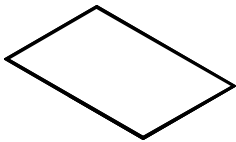

Our product will be delivered to you in 2 packages. The delivery times of these 2 packages may differ, please be patient and thank you for your understanding.

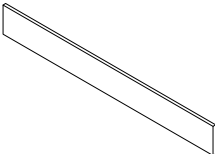
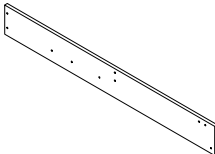
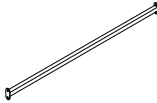
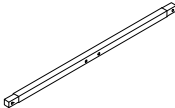
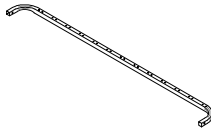
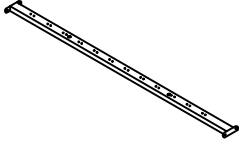
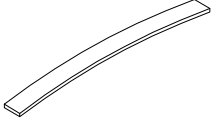
Notre produit vous sera livré en 2 colis. Les délais de livraison de ces 2 colis peuvent différer, soyez patient et merci pour votre compréhension.

Detail View






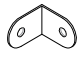
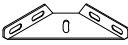
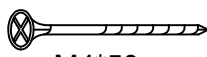
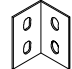


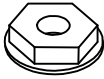

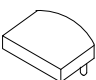



Part List

<p>1</p>  <p>Head board -1pc</p>	<p>2</p>  <p>Head board legs -2pcs</p>	<p>4</p>  <p>Foot board-1pc</p>
<p>6L</p>  <p>Gas lift-1pc</p>	<p>6R</p>  <p>Gas lift-1pc</p>	<p>7</p>  <p>Head board cross bar -1pc</p>
<p>8</p>  <p>Bed legs -2pcs</p>	<p>9</p>  <p>Non woven fabric-1pc</p>	<p>9</p>  <p>Middle support leg-1pc</p>

<p>3L</p>  <p>Side rail-1pc</p>	<p>3R</p>  <p>Side rail-1pc</p>	<p>5</p>  <p>Cross bar-1pc</p>
<p>10.1</p>  <p>Metal frame cross bar-2pcs</p>	<p>10.2</p>  <p>Metal frame side bar-2pcs</p>	<p>10.3</p>  <p>Metal frame middle bar-1pc</p>
<p>10.4</p>  <p>Slat-24pcs</p>		

Hardware List

<p>A x1</p>  <p>Allen Key</p>	<p>B x19</p>  <p>M8x45mm</p> <p>Bolts</p>	<p>C x2</p>  <p>Hinge</p>
<p>D x38</p>  <p>M8x18mm</p> <p>Bolts</p>	<p>E x2</p>  <p>Three hole iron</p>	<p>F x2</p>  <p>Little "7" Connector</p>
<p>G x2</p>  <p>Metal Corner</p>	<p>H x2</p>  <p>M4*50mm</p> <p>Nails</p>	<p>I x1</p>  <p>"7" Connector</p>
<p>J x4</p>  <p>Nuts</p>	<p>K x1</p>  <p>Spanner</p>	<p>L x14</p>  <p>M8</p> <p>Nuts</p>
<p>M x12</p>  <p>Middle slats cap</p>	<p>N x24</p>  <p>End slats cap</p>	<p>O x1</p>  <p>Pull tape</p>

DE: Vor dem Einbau die Schrauben in die Löcher stecken und festziehen, aber nicht bis 100%, 70% bis 80% anziehen reicht aus. Schließlich, nachdem alle Schrauben installiert sind, ziehen Sie alle Schrauben auf 100%.

Wenn Sie auf diese Probleme stoßen, wie z. B. Fehlausrichtung der Löcher oder Unfähigkeit, bestimmte Teile zu installieren, überprüfen Sie bitte, ob die Schrauben korrekt verwendet werden und passen Sie die Dichtigkeit der Schrauben an.

UK: Before installation, insert the screws into the holes and tighten them, but do not tighten them to 100%, 70% to 80% is sufficient. Finally, after all screws are installed, tighten all screws to 100%.

If you encounter these issues, such as if the holes cannot be aligned or some parts cannot be installed, please check if the screws are used correctly and adjust the tightness of the screws.

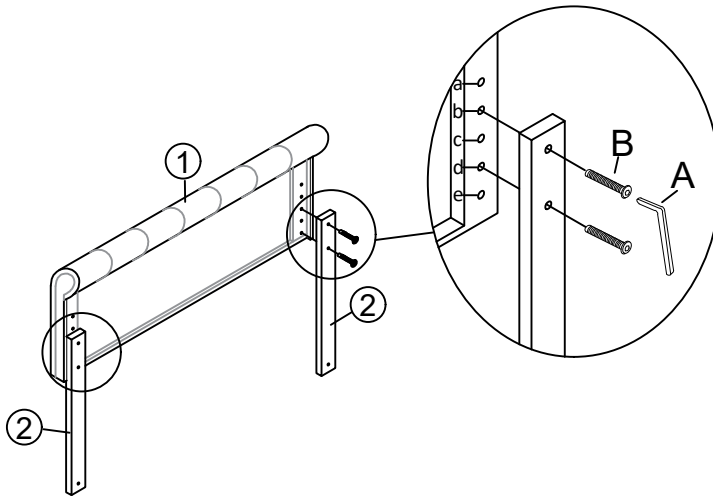
FR: Insérer la vis dans le trou avant la fin de l'assemblage, serrer la vis, mais ne pas serrer à 100%, 70% ~ 80% est correct. Enfin, une fois que toutes les vis sont bien serrées, toutes les vis sont serrées à 100%.



Si vous rencontrez ces problèmes, par exemple si les trous ne sont pas alignés ou si certaines pièces ne peuvent pas être montées, vérifiez que les vis sont utilisées correctement et Ajustez leur serrage.

Attention: Do not tighten the screws before completing the entire installation. If you have any difficulty with the installation process, please feel free to contact us.

Step 1 x2

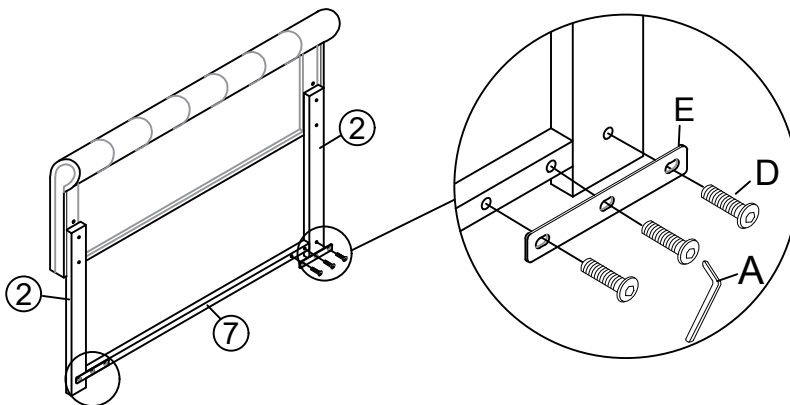
Fix the Headboard legs ② to the Headboard ① with Bolt B by using Allen key A. You can chose the hole a and c, or b and d, or c and e.






A Allen Key	B Bolts x 4 M8X45mm
	

Step 2

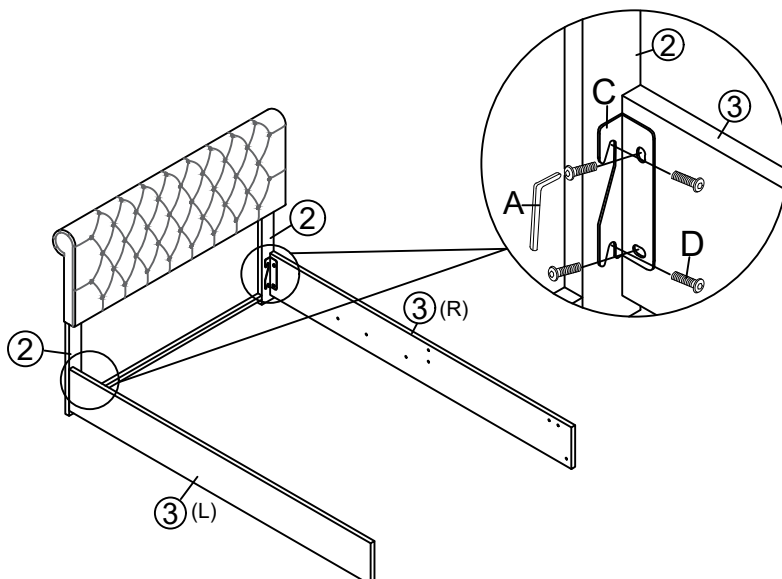
Fix the Headboard cross bar ⑦ to the Headboard legs ② with Bolt D and Three hole iron E by using Allen key A.






A Allen Key	D Bolts x 6 M8X18mm	E Three hole iron x 2
		

Step 3

Fix the side rails ③ to the Headboard legs ② with Bolts D and Hinges C by using Allen key A .

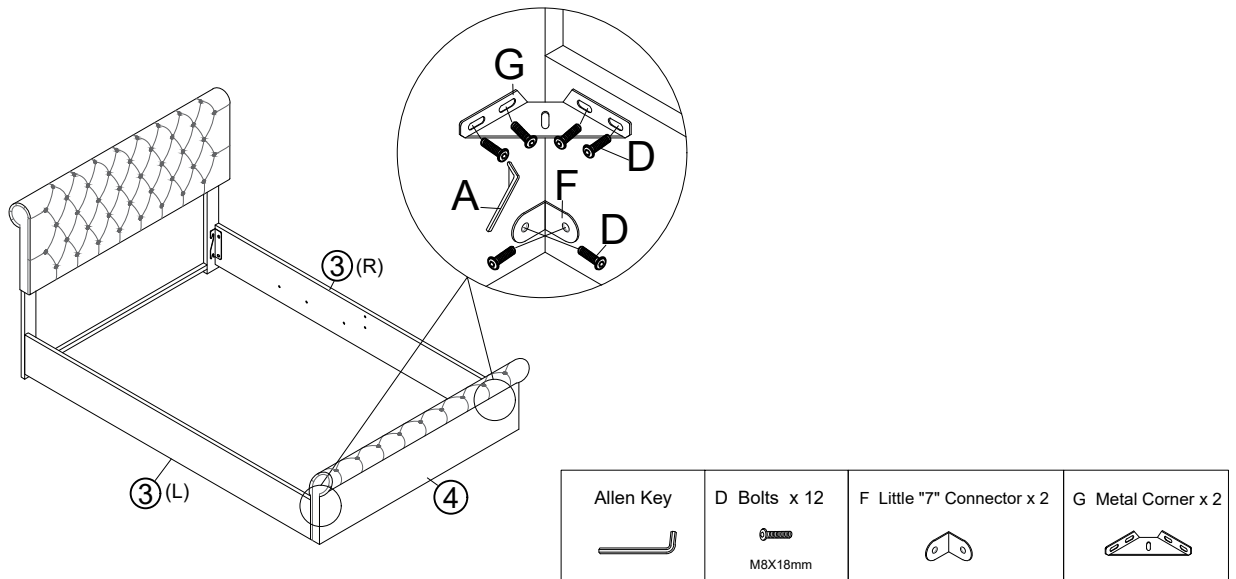


The circular hole is installed on side rails ③.
Another two holes are installed on the headboard legs ②.

A Allen Key	D Bolts x 8 M8X18mm	C Hinge x 2
		

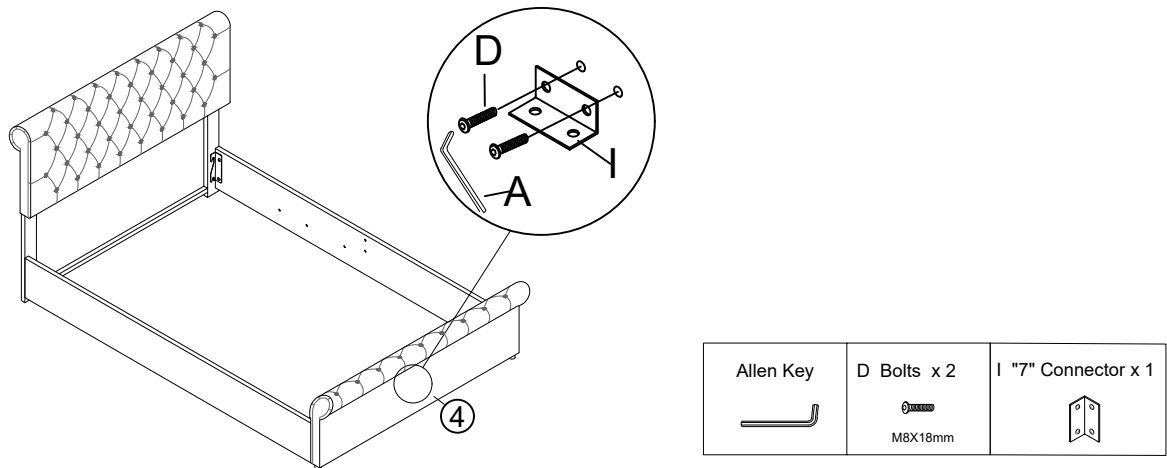
Step 4

Fix the Siderails ③ to the footboard ④ with Metal corner G, Little "7" Connector F and Bolts D by using Allen key A.



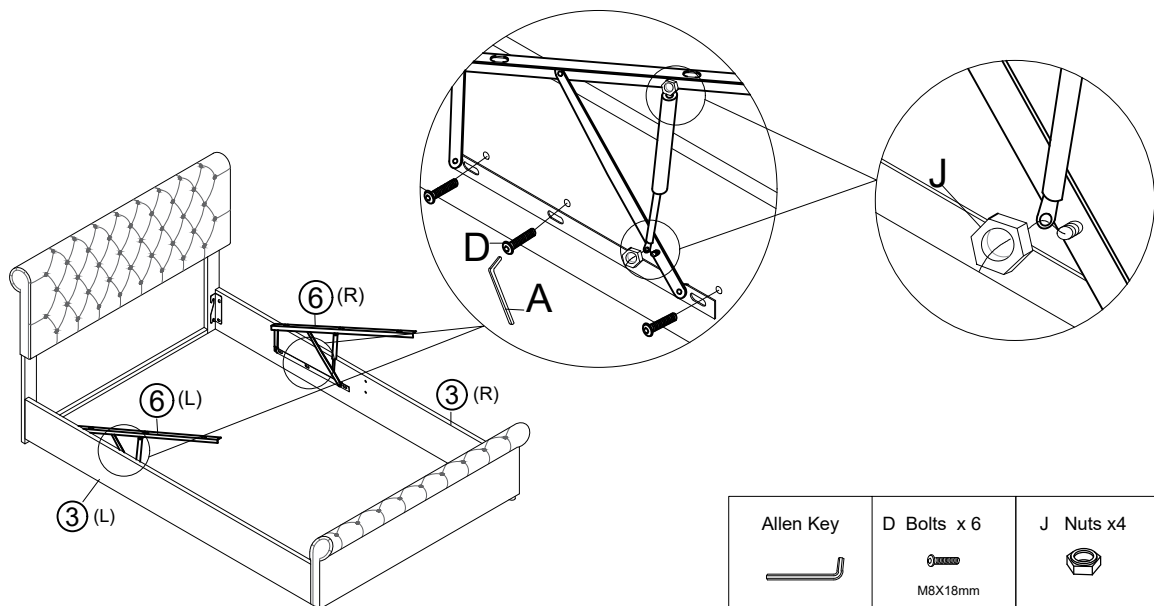
Step 5

Fix the "7" Connector I to the footboard ④ with Bolts D by using Allen key A.



Step 6

Fix the gas lifts ⑥ to the Siderails ③ with Bolts D by using Allen Key A or electric drill. Fix the gas bar to the gas lifts ⑥ with Nuts J.

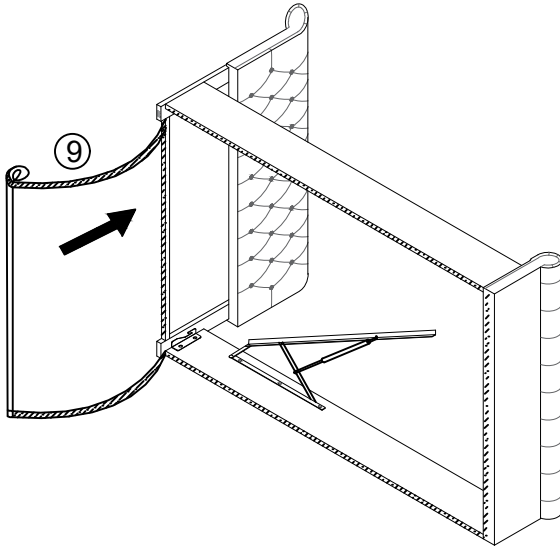


NOTICE:

The hole on the gas list is oval, Please ensure that the installation positions on the left and right are roughly the same, if you accidentally install the gas lift one side to the front and the other to the back, which affects your use, you can knock it down and reinstall it.

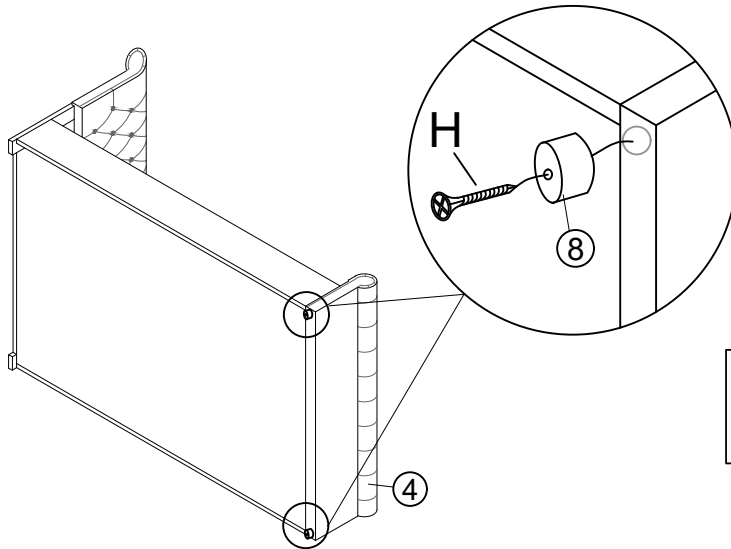
Step 7



Stick the black non-woven fabric ⑨ to the bottom of the bed .



Step 8

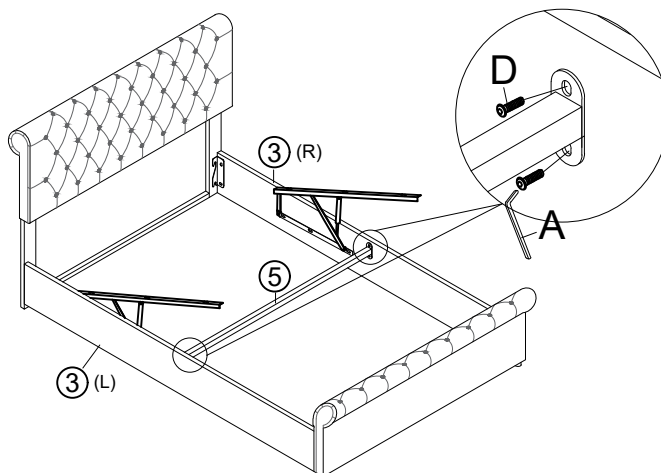
Fix the legs ⑧ to the bottom of footboard ④ with Nails H by using electric drill or screw driver.


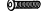


Allen Key 	H Nails x 2  M4X50mm
--	---

Step 9

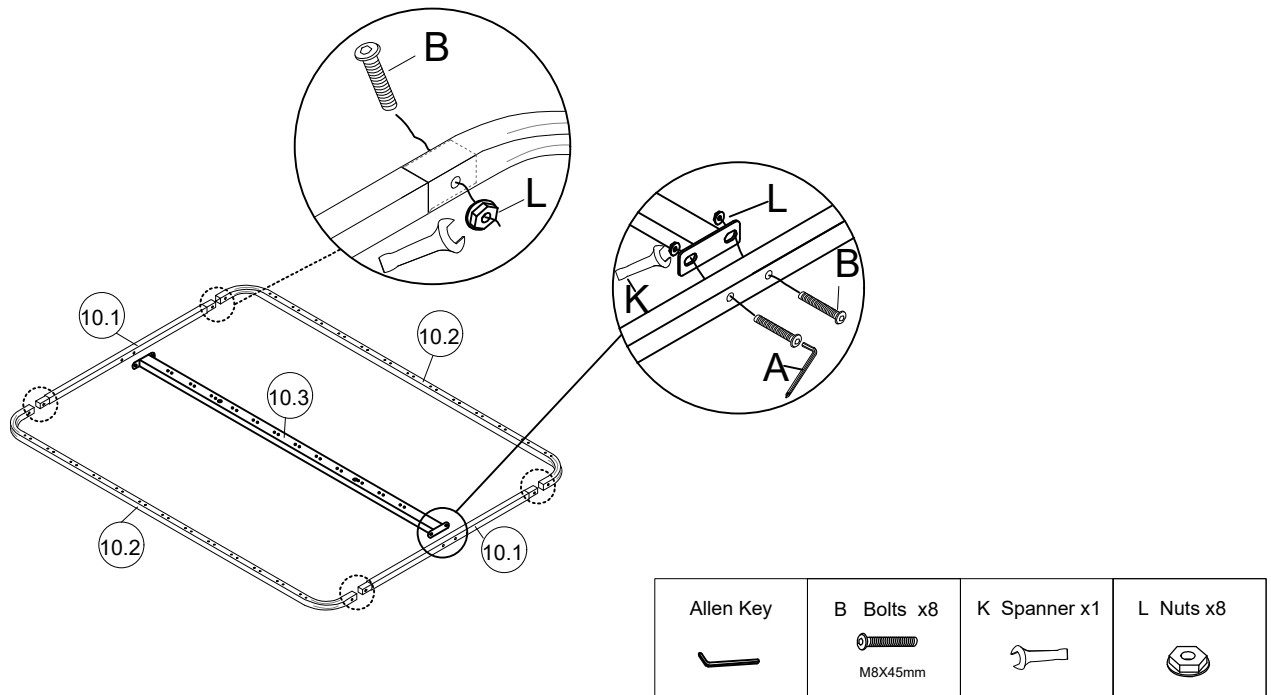
Fix the cross bar ⑤ to the Siderails ③ with Bolts D by using Allen Key A.



Allen Key 	D Bolts x 4  M8X18mm
--	---

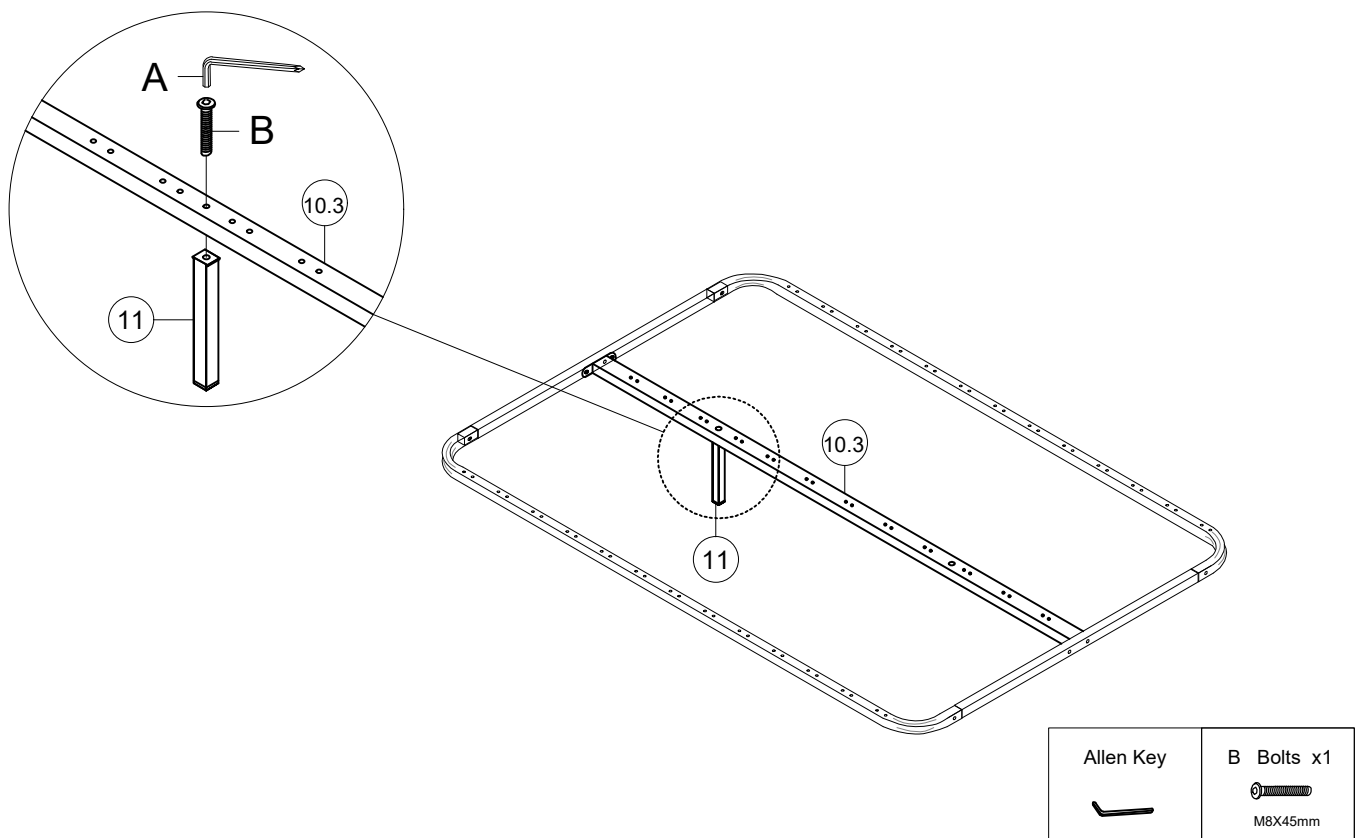
Step 10

Assemble the slats frame with Bolts B and Nuts L by using Spanner K and Allen Key A.



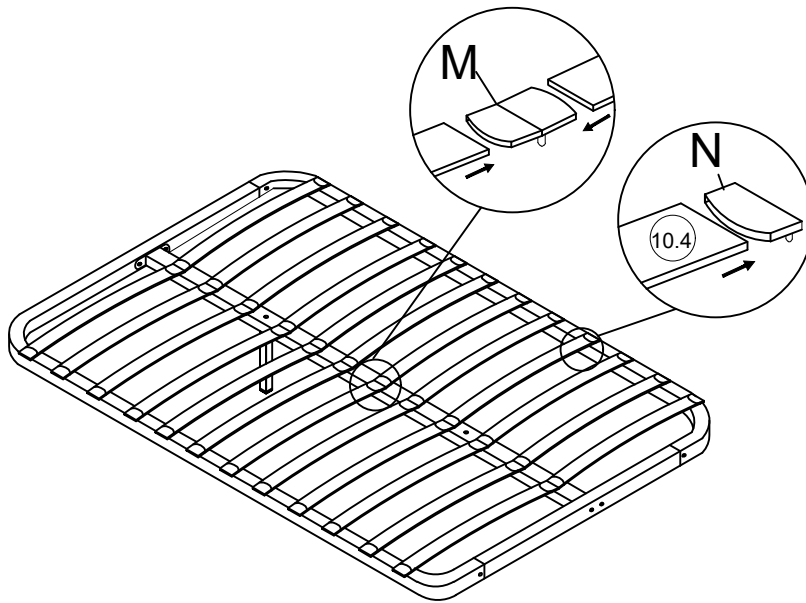
Step 11



Fix the Middle support leg (11) to the Metal frame middle bar (10.3) with Bolts B by using Allen key A.



Step 12

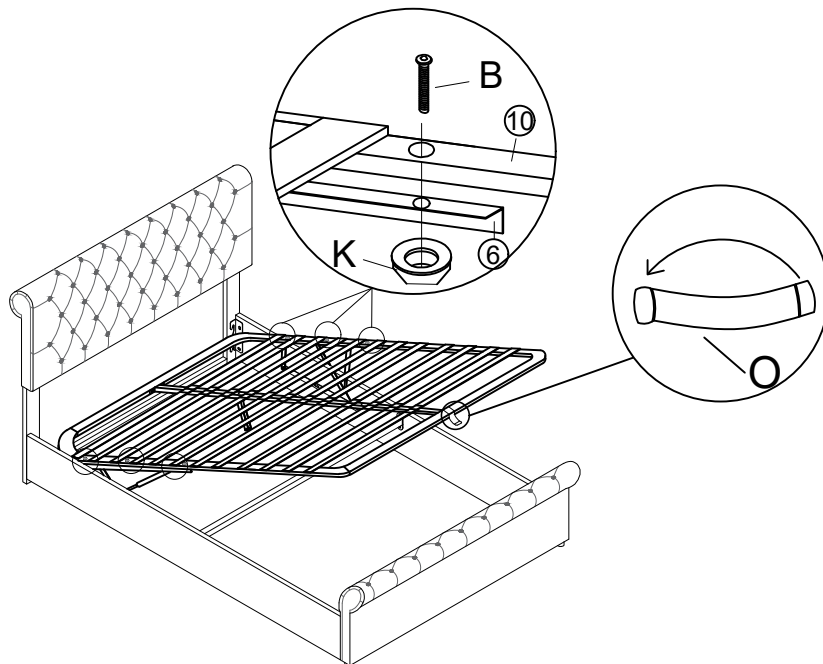
Assemble the slats into the assembled slats frame with middle slats cap M and end slats cap N.






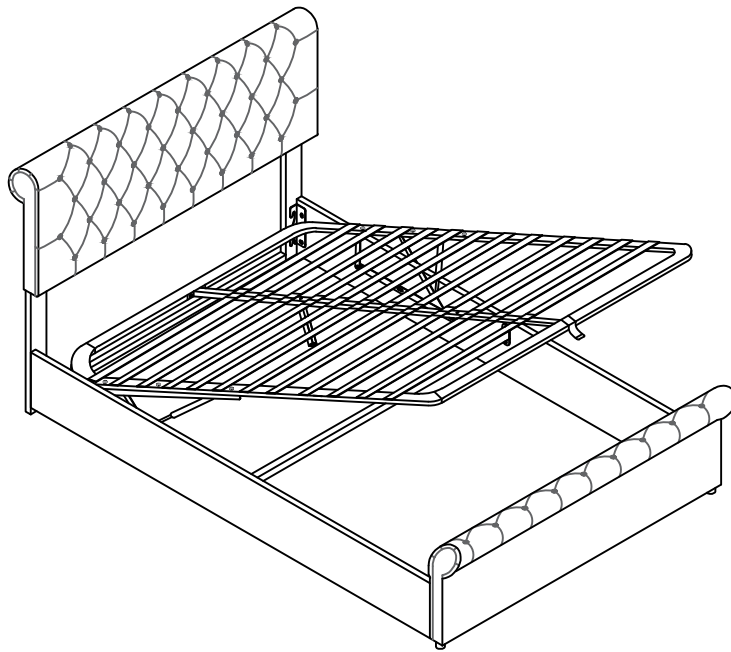
M Middle slats x12	N End slats cap x24
	

Step 13

Assemble the slats frame ⑩ to the gas lifts ⑥ with Bolts B and Nuts L, put the Pull tape O in the end of the slat frame, now please tighten all hardware, then assemble is finished.



B Bolts x6 M8X45mm	L Nuts x6	O Pull tape x1
		



WHY WON'T MY HYDRAULIC BED STAY DOWN?

1. In fact, nine times out ten the reason why hydraulic won't close is because you need to put your mattress on top of the bed. Yep, it really is that easy. This is because the hydraulic pistons need the weight of the mattress to provide enough pressure to close your bed.

2. However, what if you've put your mattress on your bed and you're one of the unlucky ones who finds that their hydraulic bed still won't stay down?

As previously mentioned, they require pressure in order to close. However, occasionally as well as placing the mattress on the bed you will initially have to apply some physical force yourself to close the bed. Don't worry you won't break it! ! !