


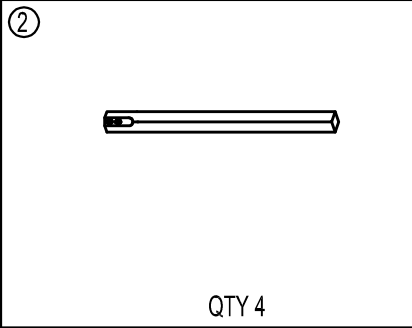
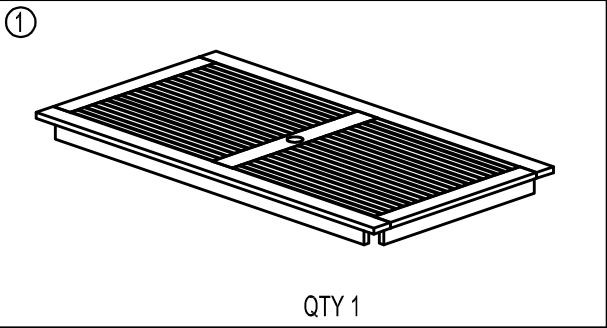
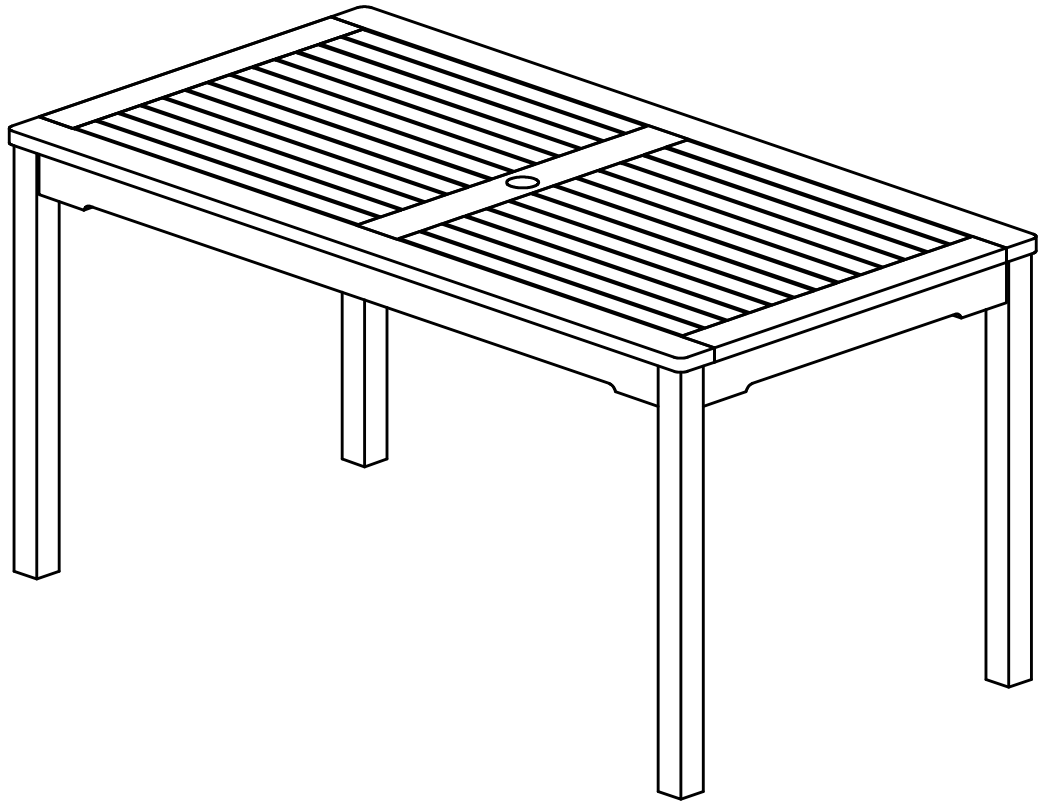
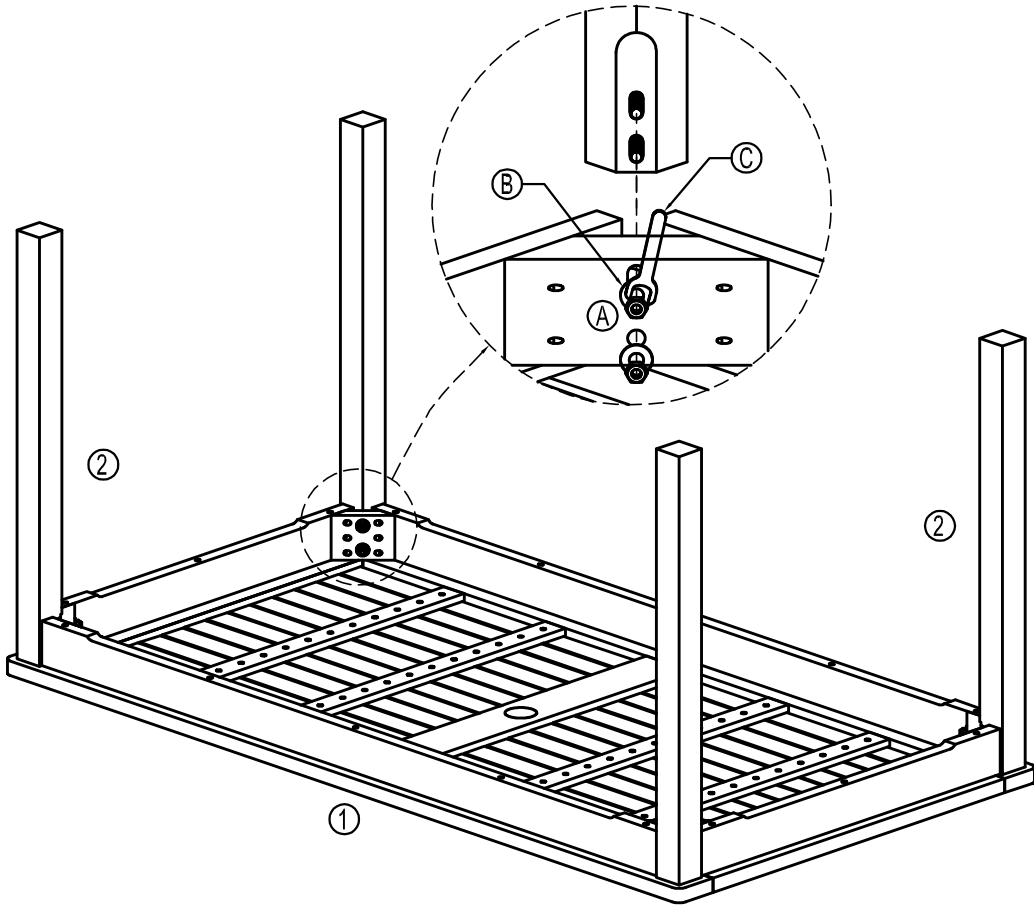



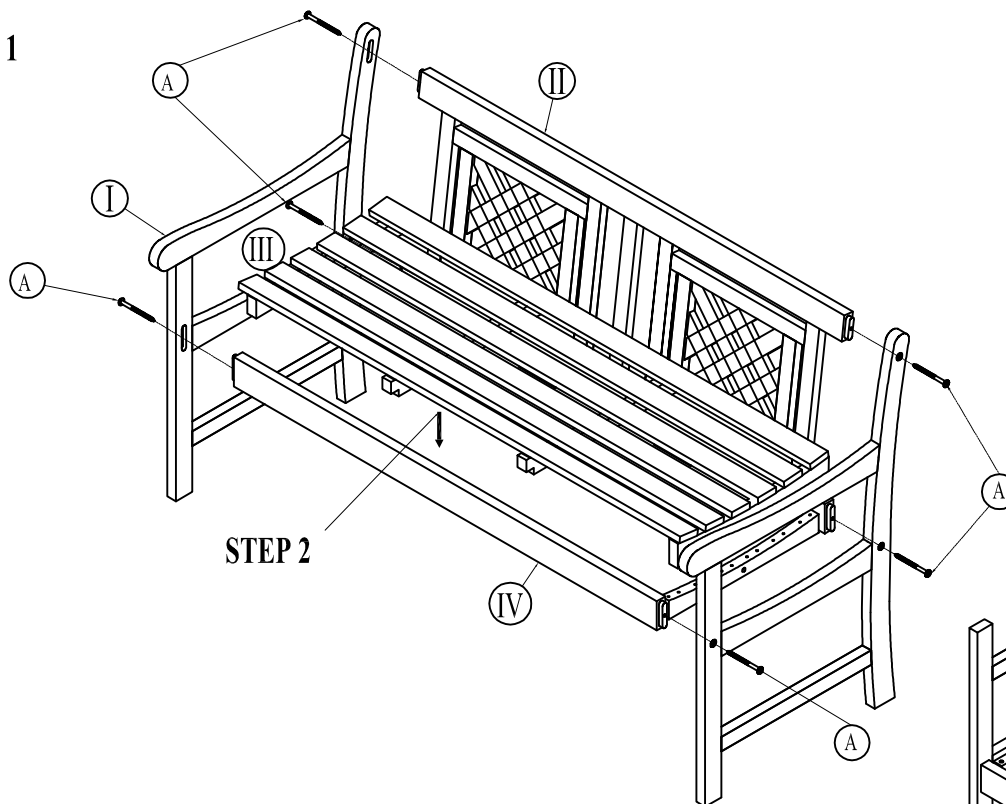


Item	Name	Q.ty	Describe
A	Hex nut M8	8	
B	Washer	8	
C	Spanner	1	



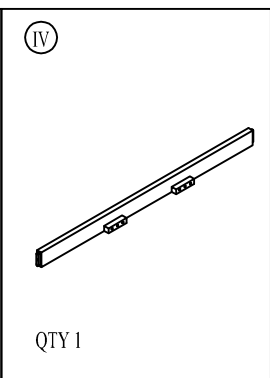
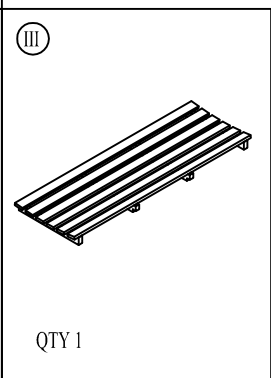
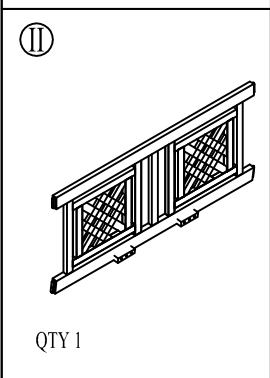
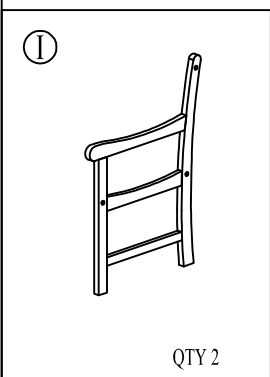
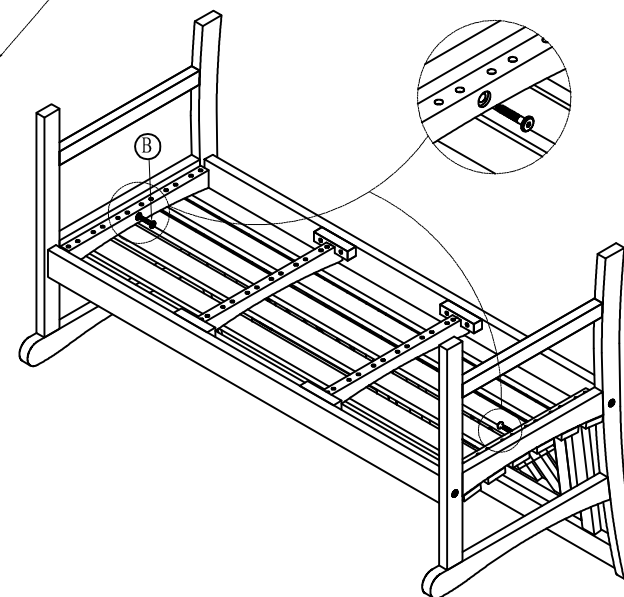
Item	Name	Q.ty	Describe
A	F - Screw 7x70	6	
B	F-Screw 7x40	2	
C	Allen Key	2	

STEP 1



STEP 2

STEP 3



ASSEMBLY INSTRUCTION